



FCC RF Test Report

APPLICANT : Bullitt Group
EQUIPMENT : Rugged Smart Phone
BRAND NAME : CAT
MODEL NAME : S40
MARKETING NAME : S40
FCC ID : ZL5S40
STANDARD : 47 CFR Part 2, 22(H), 24(E), 27
CLASSIFICATION : PCS Licensed Transmitter Held to Ear (PCE)

The product was received on May 29, 2015 and completely tested on Jun. 29, 2015. We, SPORTON INTERNATIONAL INC., would like to declare that the tested sample has been evaluated in accordance with the test procedures given in ANSI / TIA / EIA-603-C-2004 and the testing has shown the tested sample to be in compliance with the applicable technical standards.

The test results in this report apply exclusively to the tested model / sample. Without written approval of SPORTON INTERNATIONAL INC., the test report shall not be reproduced except in full.

Reviewed by: Joseph Lin / Supervisor

Approved by: Jones Tsai / Manager



SPORTON INTERNATIONAL INC.

No. 52, Hwa Ya 1st Rd., Hwa Ya Technology Park, Kwei-Shan District, Tao Yuan City, Taiwan, R.O.C.

SPORTON INTERNATIONAL INC.

TEL : 886-3-327-3456

FAX : 886-3-328-4978

FCC ID : ZL5S40

Page Number : 1 of 29

Report Issued Date : Jul. 16, 2015

Report Version : Rev. 01

Report Template No.: BU5-FGLTE Version 1.3



TABLE OF CONTENTS

REVISION HISTORY...3
SUMMARY OF TEST RESULT...4
1 GENERAL DESCRIPTION...6
1.1 Applicant...6
1.2 Manufacturer...6
1.3 Product Feature of Equipment Under Test...6
1.4 Product Specification subjective to this standard...7
1.5 Modification of EUT...7
1.6 Emission Designator...8
1.7 Testing Location...11
1.8 Applicable Standards...11
2 TEST CONFIGURATION OF EQUIPMENT UNDER TEST...12
2.1 Test Mode...12
2.2 Connection Diagram of Test System...14
2.3 Support Unit used in test configuration and system...14
2.4 Measurement Results Explanation Example...14
3 CONDUCTED TEST ITEMS...15
3.1 Measuring Instruments...15
3.2 Test Setup...15
3.3 Test Result of Conducted Test...16
3.4 Conducted Output Power and ERP/EIRP...16
3.5 Peak-to-Average Ratio...17
3.6 Occupied Bandwidth...18
3.7 Conducted Band Edge...19
3.8 Conducted Spurious Emission...21
3.9 Frequency Stability...22
4 RADIATED TEST ITEMS...23
4.1 Measuring Instruments...23
4.2 Test Setup...23
4.3 Test Result of Radiated Test...23
4.4 Effective Radiated Power and Effective Isotropic Radiated Power...24
4.5 Radiated Spurious Emission...26
5 LIST OF MEASURING EQUIPMENT...28
6 UNCERTAINTY OF EVALUATION...29

APPENDIX A. TEST RESULTS OF CONDUCTED TEST

APPENDIX B. TEST RESULTS OF RADIATED TEST

APPENDIX C. TEST SETUP PHOTOGRAPHS



REVISION HISTORY

| REPORT NO. | VERSION | DESCRIPTION | ISSUED DATE |
|------------|---------|-------------------------|---------------|
| FG552956B | Rev. 01 | Initial issue of report | Jul. 16, 2015 |
| | | | |
| | | | |
| | | | |
| | | | |
| | | | |
| | | | |
| | | | |
| | | | |
| | | | |
| | | | |
| | | | |
| | | | |
| | | | |
| | | | |
| | | | |



SUMMARY OF TEST RESULT

| Report Section | FCC Rule | IC Rule | Description | Limit | Result | Remark |
|----------------|--|---|---|-------------------------------------|--------|--------|
| 3.4 | §2.1046 | RSS-Gen(6.12) RSS-130(4.4) RSS-132 (5.4) RSS-133 (6.4) RSS-139 (6.4) RSS-199 (4.4) | Conducted Output Power | Reporting Only | PASS | - |
| 3.5 | §24.232(d) | RSS-130(4.4) RSS-132 (5.4) RSS-133 (6.4) RSS-139 (6.4) | Peak-to-Average Ratio | <13 dB | PASS | - |
| 3.6 | §2.1049 | RSS-GEN(6.6) RSS-132 (3.1) RSS-133 (3.1) RSS-130(3.1) RSS-139 (3.1) RSS-199 (4.2) | Occupied Bandwidth | Reporting Only | PASS | - |
| 3.7 | §2.1051 §22.917(a) §24.238(a) §27.53(g) §27.53(m)(4) | RSS-132 (5.5) RSS-133 (6.5.1) RSS-130(4.6) RSS-139 (6.5) RSS-199 (4.5) | Conducted Band Edge Measurement (Band 2) (Band 4) (Band 5) (Band 12) (Band 17) (Band 7) | < 43+10log ₁₀ (P[Watts]) | PASS | - |
| 3.8 | §2.1051 §22.917(a) §24.238(a) §27.53(g) | RSS-132 (5.5) RSS-133 (6.5.1) RSS-130(4.6) RSS-139 (6.5) | Conducted Spurious Emission (Band 2) (Band 4) (Band 5) (Band 12) (Band 17) | < 43+10log ₁₀ (P[Watts]) | PASS | - |
| | §2.1051 §27.53(m)(4) | RSS-199 (4.5) | Conducted Spurious Emission (Band 7) | < 55+10log ₁₀ (P[Watts]) | | |



| Report Section | FCC Rule | IC Rule | Description | Limit | Result | Remark |
|----------------|---|---|---|---|--------|---|
| 3.9 | §2.1055 | RSS-GEN(6.11) | Frequency Stability Temperature & Voltage | < 2.5 ppm for Part 22 Within Authorized Band | PASS | - |
| | §22.355 | RSS-132(5.3) | | | | |
| | §24.235 | RSS-133(6.3) | | | | |
| | §27.54 | RSS-130(4.3) | | | | |
| | | RSS-139 (6.3) | | | | |
| | | RSS-199 (4.3) | | | | |
| 4.4 | §22.913(a)(2) | RSS-132(5.4) SRSP-503(5.1.3) | Effective Radiated Power (Band 5) | ERP < 7 Watt | PASS | - |
| | §27.50(c)(10) | N/A | Effective Radiated Power (Band 12) (Band 17) | ERP < 3 Watt | | |
| | N/A | RSS-130(4.4) | Equivalent Isotropic Radiated Power (Band 12) (Band 17) | EIRP < 5 Watt | | |
| | §24.232(c) §27.50(h)(2) | RSS-133 (6.4) SRSP-510(5.1.2) RSS-199 (4.4) | Equivalent Isotropic Radiated Power (Band 2) (Band 7) | EIRP < 2Watt | | |
| | §27.50(d)(4) | RSS-139 (6.4) SRSP-513(5.1.2) | Equivalent Isotropic Radiated Power (Band 4) | EIRP < 1Watt | | |
| 4.5 | §2.1053 §22.917(a) §24.238(a) §27.53(g) §27.53(h) | RSS-132 (5.5) RSS-133 (6.5.1) RSS-130(4.6) RSS-139 (6.5) | Radiated Spurious Emission (Band 2) (Band 4) (Band 5) (Band 12) (Band 17) | < 43+10log ₁₀ (P[Watts]) | PASS | Under limit 3.62 dB at 5716.000 MHz |
| | §2.1053 §27.53(m)(4) | RSS-199 (4.5) | Radiated Spurious Emission (Band 7) | < 55+10log ₁₀ (P[Watts]) | | |



1 General Description

1.1 Applicant

Bullitt Group

One Valpy, Valpy Street, Reading, Berkshire, RG1 1AR United Kingdom

1.2 Manufacturer

Compal Electronics, INC.

No. 385, Yangguang St. Neihu District, Taipei City 11491, Taiwan, R.O.C

1.3 Product Feature of Equipment Under Test

| Product Feature | |
|---------------------------------|--|
| Equipment | Rugged Smart Phone |
| Brand Name | CAT |
| Model Name | S40 |
| FCC ID | ZL5S40 |
| EUT supports Radios application | GSM/EGPRS/WCDMA/HSPA/LTE/NFC WLAN 11b/g/n HT20 Bluetooth v4.1 EDR/LE |
| HW Version | 1.0 |
| SW Version | LTE_D0201121.0_S40_0.012.00 |
| EUT Stage | Identical Prototype |



1.4 Product Specification subjective to this standard

| Product Specification subjective to this standard | |
|---|---|
| Tx Frequency | LTE Band 2 : 1850.7 MHz ~ 1909.3 MHz LTE Band 4 : 1710.7 MHz ~ 1754.3 MHz LTE Band 5 : 824.7 MHz ~ 848.3 MHz LTE Band 7 : 2502.5 MHz ~ 2567.5 MHz LTE Band 12 : 699 MHz ~ 716 MHz LTE Band 17 : 706.5 MHz ~ 713.5 MHz |
| Rx Frequency | LTE Band 2 : 1930.7 MHz ~ 1989.3 MHz LTE Band 4 : 2110.7 MHz ~ 2154.3 MHz LTE Band 5 : 869.7 MHz ~ 893.3 MHz LTE Band 7 : 2622.5MHz ~ 2687.5 MHz LTE Band 12 : 729 MHz ~ 746 MHz LTE Band 17 : 736.5 MHz ~ 743.5 MHz |
| Bandwidth | LTE Band 2 : 1.4MHz / 3MHz / 5MHz / 10MHz / 15MHz / 20MHz LTE Band 4 : 1.4MHz / 3MHz / 5MHz / 10MHz / 15MHz / 20MHz LTE Band 5 : 1.4MHz / 3MHz / 5MHz / 10MHz LTE Band 7 : 5MHz/ 10MHz / 15MHz / 20MHz LTE Band 12 : 1.4MHz / 3MHz / 5MHz / 10MHz LTE Band 17 : 5MHz / 10MHz |
| Maximum Output Power to Antenna | LTE Band 2 : 23.67 dBm LTE Band 4 : 23.67 dBm LTE Band 5 : 23.57 dBm LTE Band 7 : 23.64 dBm LTE Band 12 : 23.42 dBm LTE Band 17 : 23.44 dBm |
| Type of Modulation | QPSK / 16QAM |

1.5 Modification of EUT

No modifications are made to the EUT during all test items.



1.6 Emission Designator

| LTE Band 2 | QPSK | | | 16QAM | | |
|------------|------------------------------|---------------------------|-----------------|------------------------------|---------------------------|-----------------|
| BW(MHz) | Emission Designator (99%OBW) | Frequency Tolerance (ppm) | Maximum EIRP(W) | Emission Designator (99%OBW) | Frequency Tolerance (ppm) | Maximum EIRP(W) |
| 1.4 | 1M10G7D | - | 0.1122 | 1M10W7D | - | 0.0979 |
| 3 | 2M73G7D | - | 0.1030 | 2M73W7D | - | 0.0916 |
| 5 | 4M51G7D | - | 0.1140 | 4M51W7D | - | 0.0895 |
| 10 | 9M11G7D | 0.0014 | 0.1096 | 9M03W7D | - | 0.0944 |
| 15 | 13M5G7D | - | 0.1074 | 13M5W7D | - | 0.0802 |
| 20 | 18M5G7D | - | 0.1072 | 18M5W7D | - | 0.0832 |

| LTE Band 4 | QPSK | | | 16QAM | | |
|------------|------------------------------|---------------------------|-----------------|------------------------------|---------------------------|-----------------|
| BW(MHz) | Emission Designator (99%OBW) | Frequency Tolerance (ppm) | Maximum EIRP(W) | Emission Designator (99%OBW) | Frequency Tolerance (ppm) | Maximum EIRP(W) |
| 1.4 | 1M10G7D | - | 0.1419 | 1M10W7D | - | 0.1148 |
| 3 | 2M73G7D | - | 0.1393 | 2M73W7D | - | 0.1159 |
| 5 | 4M50G7D | - | 0.1337 | 4M51W7D | - | 0.1099 |
| 10 | 9M09G7D | 0.0066 | 0.1318 | 9M03W7D | - | 0.1069 |
| 15 | 13M5G7D | - | 0.1324 | 13M5W7D | - | 0.1191 |
| 20 | 18M4G7D | - | 0.1409 | 18M5W7D | - | 0.1140 |

| LTE Band 5 | QPSK | | | 16QAM | | |
|------------|------------------------------|---------------------------|----------------|------------------------------|---------------------------|----------------|
| BW(MHz) | Emission Designator (99%OBW) | Frequency Tolerance (ppm) | Maximum ERP(W) | Emission Designator (99%OBW) | Frequency Tolerance (ppm) | Maximum ERP(W) |
| 1.4 | 1M10G7D | - | 0.0656 | 1M10W7D | - | 0.0522 |
| 3 | 2M73G7D | - | 0.0689 | 2M73W7D | - | 0.0583 |
| 5 | 4M51G7D | - | 0.0682 | 4M51W7D | - | 0.0545 |
| 10 | 9M09G7D | 0.0075 | 0.0653 | 9M03W7D | - | 0.0601 |



| LTE Band 7 | QPSK | | | 16QAM | | |
|------------|------------------------------|---------------------------|-----------------|------------------------------|---------------------------|-----------------|
| BW(MHz) | Emission Designator (99%OBW) | Frequency Tolerance (ppm) | Maximum EIRP(W) | Emission Designator (99%OBW) | Frequency Tolerance (ppm) | Maximum EIRP(W) |
| 5 | 4M51G7D | - | 0.1089 | 4M51W7D | - | 0.0918 |
| 10 | 9M07G7D | - | 0.1242 | 9M07W7D | - | 0.0944 |
| 15 | 13M5G7D | - | 0.1291 | 13M5W7D | - | 0.0931 |
| 20 | 18M4G7D | 0.0056 | 0.1294 | 18M5W7D | - | 0.0977 |

| LTE Band 12 | QPSK | | | 16QAM | | |
|-------------|------------------------------|---------------------------|----------------|------------------------------|---------------------------|----------------|
| BW(MHz) | Emission Designator (99%OBW) | Frequency Tolerance (ppm) | Maximum ERP(W) | Emission Designator (99%OBW) | Frequency Tolerance (ppm) | Maximum ERP(W) |
| 1.4 | 1M09G7D | - | 0.0267 | 1M10W7D | - | 0.0229 |
| 3 | 2M73G7D | - | 0.0262 | 2M74W7D | - | 0.0211 |
| 5 | 4M51G7D | - | 0.0244 | 4M51W7D | - | 0.0203 |
| 10 | 9M09G7D | 0.0086 | 0.0262 | 9M03W7D | - | 0.0205 |

| LTE Band 17 | QPSK | | | 16QAM | | |
|-------------|------------------------------|---------------------------|----------------|------------------------------|---------------------------|----------------|
| BW(MHz) | Emission Designator (99%OBW) | Frequency Tolerance (ppm) | Maximum ERP(W) | Emission Designator (99%OBW) | Frequency Tolerance (ppm) | Maximum ERP(W) |
| 5 | 4M51G7D | - | 0.0273 | 4M51W7D | - | 0.0216 |
| 10 | 9M07G7D | 0.0097 | 0.0252 | 9M01W7D | - | 0.0218 |



• Below table for IC

| LTE Band 7 | QPSK | | | 16QAM | | |
|------------|------------------------------|---------------------------|-----------------|------------------------------|---------------------------|-----------------|
| BW(MHz) | Emission Designator (99%OBW) | Frequency Tolerance (ppm) | Maximum EIRP(W) | Emission Designator (99%OBW) | Frequency Tolerance (ppm) | Maximum EIRP(W) |
| 5 | 4M51G7D | - | 0.3170 | 4M51W7D | - | 0.3105 |
| 10 | 9M07G7D | - | 0.3724 | 9M07W7D | - | 0.2938 |
| 15 | 13M5G7D | - | 0.3802 | 13M5W7D | - | 0.2838 |
| 20 | 18M4G7D | 0.0056 | 0.3855 | 18M5W7D | - | 0.3148 |

| LTE Band 12 | QPSK | | | 16QAM | | |
|-------------|------------------------------|---------------------------|-----------------|------------------------------|---------------------------|-----------------|
| BW(MHz) | Emission Designator (99%OBW) | Frequency Tolerance (ppm) | Maximum EIRP(W) | Emission Designator (99%OBW) | Frequency Tolerance (ppm) | Maximum EIRP(W) |
| 1.4 | 1M09G7D | - | 0.0439 | 1M10W7D | - | 0.0375 |
| 3 | 2M73G7D | - | 0.0430 | 2M74W7D | - | 0.0347 |
| 5 | 4M51G7D | - | 0.0401 | 4M51W7D | - | 0.0333 |
| 10 | 9M09G7D | 0.0086 | 0.0431 | 9M04W7D | - | 0.0336 |

| LTE Band 17 | QPSK | | | 16QAM | | |
|-------------|------------------------------|---------------------------|-----------------|------------------------------|---------------------------|-----------------|
| BW(MHz) | Emission Designator (99%OBW) | Frequency Tolerance (ppm) | Maximum EIRP(W) | Emission Designator (99%OBW) | Frequency Tolerance (ppm) | Maximum EIRP(W) |
| 5 | 4M51G7D | - | 0.0448 | 4M51W7D | - | 0.0355 |
| 10 | 9M07G7D | 0.0097 | 0.0414 | 9M01W7D | - | 0.0358 |



1.7 Testing Location

Sporton Lab is accredited to ISO 17025 by Taiwan Accreditation Foundation (TAF code : 1190) and the FCC designation No. TW1022 under the FCC 2.948(e) by Mutual Recognition Agreement (MRA) in FCC Test.

| | | |
|---------------------------|--|-----------|
| Test Site | SPORTON INTERNATIONAL INC. | |
| Test Site Location | No. 52, Hwa Ya 1 st Rd., Hwa Ya Technology Park, Kwei-Shan District, Tao Yuan City, Taiwan, R.O.C. TEL: +886-3-327-3456 FAX: +886-3-328-4978 | |
| Test Site No. | Sporton Site No. | |
| | TH02-HY | 03CH07-HY |

1.8 Applicable Standards

According to the specifications of the manufacturer, the EUT must comply with the requirements of the following standards:

- 47 CFR Part 2, 22(H), 24(E), 27
- ANSI / TIA / EIA-603-C-2004
- FCC KDB 971168 D01 Power Meas. License Digital Systems v02r02

Remark:

1. All test items were verified and recorded according to the standards and without any deviation during the test.
2. This EUT has also been tested and complied with the requirements of FCC Part 15, Subpart B, recorded in a separate test report.



2 Test Configuration of Equipment Under Test

2.1 Test Mode

Antenna port conducted and radiated test items listed below are performed according to KDB 971168 D01 Power Meas. License Digital Systems v02r02 with maximum output power.

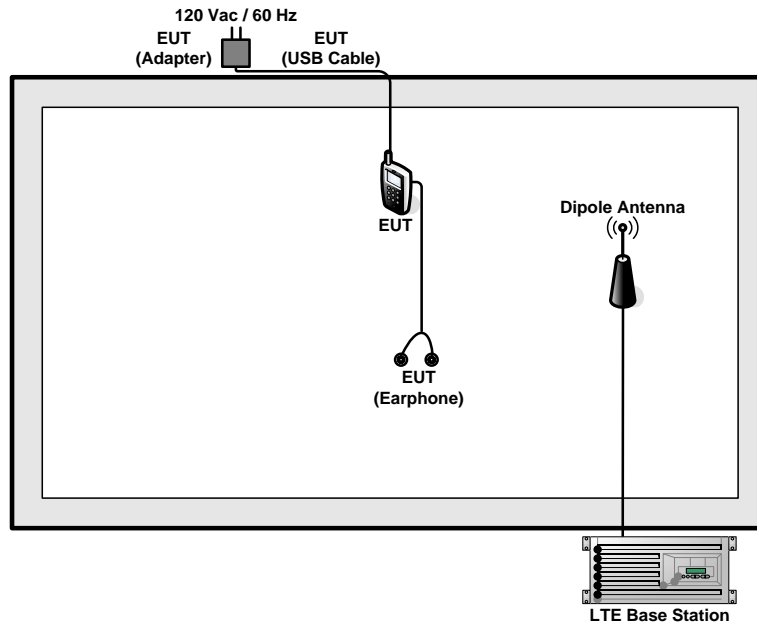
Radiated measurements are performed by rotating the EUT in three different orthogonal test planes to find the maximum emission.

| Test Items | Band | Bandwidth (MHz) | | | | | | Modulation | | RB # | | | Test Channel | | |
|------------------------|------|-----------------|---|---|----|----|----|------------|-------|------|------|------|--------------|---|---|
| | | 1.4 | 3 | 5 | 10 | 15 | 20 | QPSK | 16QAM | 1 | Half | Full | L | M | H |
| Max. Output Power | 2 | ✓ | ✓ | ✓ | ✓ | ✓ | ✓ | ✓ | ✓ | ✓ | ✓ | ✓ | ✓ | ✓ | ✓ |
| | 4 | ✓ | ✓ | ✓ | ✓ | ✓ | ✓ | ✓ | ✓ | ✓ | ✓ | ✓ | ✓ | ✓ | ✓ |
| | 5 | ✓ | ✓ | ✓ | ✓ | - | - | ✓ | ✓ | ✓ | ✓ | ✓ | ✓ | ✓ | ✓ |
| | 7 | - | - | ✓ | ✓ | ✓ | ✓ | ✓ | ✓ | ✓ | ✓ | ✓ | ✓ | ✓ | ✓ |
| | 12 | ✓ | ✓ | ✓ | ✓ | - | - | ✓ | ✓ | ✓ | ✓ | ✓ | ✓ | ✓ | ✓ |
| | 17 | - | - | ✓ | ✓ | - | - | ✓ | ✓ | ✓ | ✓ | ✓ | ✓ | ✓ | ✓ |
| Peak-to-Average Ratio | 2 | | | | | | ✓ | ✓ | ✓ | ✓ | | ✓ | ✓ | ✓ | ✓ |
| | 4 | | | | | | ✓ | ✓ | ✓ | ✓ | | ✓ | ✓ | ✓ | ✓ |
| | 5 | | | | ✓ | - | - | ✓ | ✓ | ✓ | | ✓ | ✓ | ✓ | ✓ |
| | 7 | - | - | | | | ✓ | ✓ | ✓ | ✓ | | ✓ | ✓ | ✓ | ✓ |
| | 12 | | | | ✓ | - | - | ✓ | ✓ | ✓ | | ✓ | ✓ | ✓ | ✓ |
| | 17 | - | - | | ✓ | - | - | ✓ | ✓ | ✓ | | ✓ | ✓ | ✓ | ✓ |
| 26dB and 99% Bandwidth | 2 | ✓ | ✓ | ✓ | ✓ | ✓ | ✓ | ✓ | ✓ | | | ✓ | ✓ | ✓ | ✓ |
| | 4 | ✓ | ✓ | ✓ | ✓ | ✓ | ✓ | ✓ | ✓ | | | ✓ | ✓ | ✓ | ✓ |
| | 5 | ✓ | ✓ | ✓ | ✓ | - | - | ✓ | ✓ | | | ✓ | ✓ | ✓ | ✓ |
| | 7 | - | - | ✓ | ✓ | ✓ | ✓ | ✓ | ✓ | | | ✓ | ✓ | ✓ | ✓ |
| | 12 | ✓ | ✓ | ✓ | ✓ | - | - | ✓ | ✓ | | | ✓ | ✓ | ✓ | ✓ |
| | 17 | - | - | ✓ | ✓ | - | - | ✓ | ✓ | | | ✓ | ✓ | ✓ | ✓ |
| Conducted Band Edge | 2 | ✓ | ✓ | ✓ | ✓ | ✓ | ✓ | ✓ | ✓ | ✓ | | ✓ | ✓ | | ✓ |
| | 4 | ✓ | ✓ | ✓ | ✓ | ✓ | ✓ | ✓ | ✓ | ✓ | | ✓ | ✓ | | ✓ |
| | 5 | ✓ | ✓ | ✓ | ✓ | - | - | ✓ | ✓ | ✓ | | ✓ | ✓ | | ✓ |
| | 7 | - | - | ✓ | ✓ | ✓ | ✓ | ✓ | ✓ | ✓ | | ✓ | ✓ | | ✓ |
| | 12 | ✓ | ✓ | ✓ | ✓ | - | - | ✓ | ✓ | ✓ | | ✓ | ✓ | | ✓ |
| | 17 | - | - | ✓ | ✓ | - | - | ✓ | ✓ | ✓ | | ✓ | ✓ | | ✓ |



| Test Items | Band | Bandwidth (MHz) | | | | | | Modulation | | RB # | | | Test Channel | | |
|-----------------------------|--|-----------------|---|---|----|----|----|------------|-------|------|------|------|--------------|---|---|
| | | 1.4 | 3 | 5 | 10 | 15 | 20 | QPSK | 16QAM | 1 | Half | Full | L | M | H |
| Conducted Spurious Emission | 2 | √ | √ | √ | √ | √ | √ | √ | √ | √ | | | √ | √ | √ |
| | 4 | √ | √ | √ | √ | √ | √ | √ | √ | √ | | | √ | √ | √ |
| | 5 | √ | √ | √ | √ | - | - | √ | √ | √ | | | √ | √ | √ |
| | 7 | - | - | √ | √ | √ | √ | √ | √ | √ | | | √ | √ | √ |
| | 12 | √ | √ | √ | √ | - | - | √ | √ | √ | | | √ | √ | √ |
| | 17 | - | - | √ | √ | - | - | √ | √ | √ | | | √ | √ | √ |
| Frequency Stability | 2 | | | | √ | | | √ | | | | √ | | √ | |
| | 4 | | | | √ | | | √ | | | | √ | | √ | |
| | 5 | | | | √ | - | - | √ | | | | √ | | √ | |
| | 7 | - | - | | √ | | | √ | | | | √ | | √ | |
| | 12 | | | | √ | - | - | √ | | | | √ | | √ | |
| | 17 | - | - | | √ | - | - | √ | | | | √ | | √ | |
| E.R.P./E.I.R.P. | 2 | √ | | | | | √ | √ | √ | √ | | | √ | √ | √ |
| | 4 | √ | | | | | √ | √ | √ | √ | | | √ | √ | √ |
| | 5 | √ | | | √ | - | - | √ | √ | √ | | | √ | √ | √ |
| | 7 | - | - | √ | | | √ | √ | √ | √ | | | √ | √ | √ |
| | 12 | √ | | | | | √ | √ | √ | √ | | | √ | √ | √ |
| | 17 | - | - | √ | √ | - | - | √ | √ | √ | | | √ | √ | √ |
| Radiated Spurious Emission | 2 | √ | √ | √ | √ | √ | √ | √ | | √ | | | √ | √ | √ |
| | 4 | √ | √ | √ | √ | √ | √ | √ | | √ | | | √ | √ | √ |
| | 5 | √ | √ | √ | √ | - | - | √ | | √ | | | √ | √ | √ |
| | 7 | - | - | √ | √ | √ | √ | √ | | √ | | | √ | √ | √ |
| | 12 | √ | √ | √ | √ | - | - | √ | | √ | | | √ | √ | √ |
| | 17 | - | - | √ | √ | - | - | √ | | √ | | | √ | √ | √ |
| Note | <p>1. The mark "√" means that this configuration is chosen for testing</p> <p>2. The mark "-" means that this bandwidth is not supported.</p> <p>3. For E.R.P./E.I.R.P. measurement, the widest bandwidth of each band is chosen for testing due to highest conducted power. Besides, the lowest bandwidth of each band is also measured for reporting only.</p> <p>4. The device is investigated from 30MHz to 10 times of fundamental signal for radiated spurious emission test under different RB size/offset and modulations in exploratory test. Subsequently, only the worst case emissions are reported.</p> | | | | | | | | | | | | | | |

2.2 Connection Diagram of Test System



2.3 Support Unit used in test configuration and system

| Item | Equipment | Trade Name | Model No. | FCC ID | Data Cable | Power Cord |
|------|------------------|------------|-----------|--------|------------|-------------------|
| 1. | LTE Base Station | Anritsu | MT8820C | N/A | N/A | Unshielded, 1.8 m |

2.4 Measurement Results Explanation Example

For all conducted test items:

The offset level is set in the spectrum analyzer to compensate the RF cable loss and attenuator factor between EUT conducted output port and spectrum analyzer. With the offset compensation, the spectrum analyzer reading level is exactly the EUT RF output level.

The spectrum analyzer offset is derived from RF cable loss and attenuator factor.

Offset = RF cable loss + attenuator factor.

Following shows an offset computation example with cable loss 4.2 dB and 10dB attenuator.

Example :

$$\begin{aligned} \text{Offset(dB)} &= \text{RF cable loss(dB)} + \text{attenuator factor(dB)}. \\ &= 4.2 + 10 = 14.2 \text{ (dB)} \end{aligned}$$

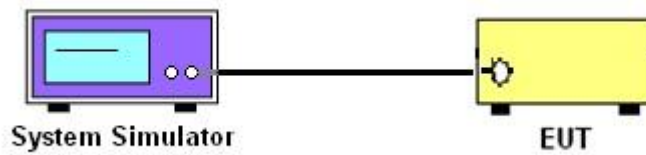
3 Conducted Test Items

3.1 Measuring Instruments

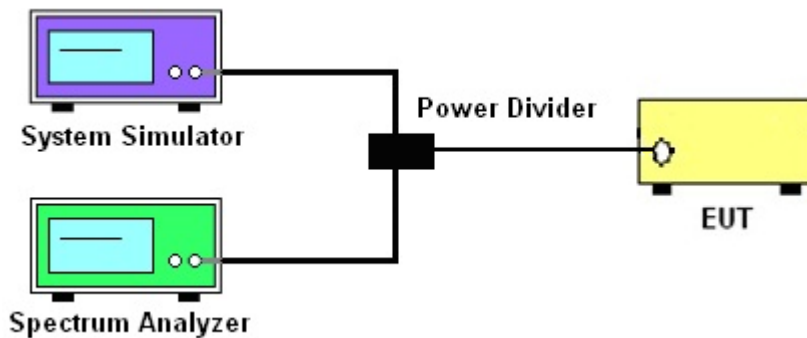
See list of measuring instruments of this test report.

3.2 Test Setup

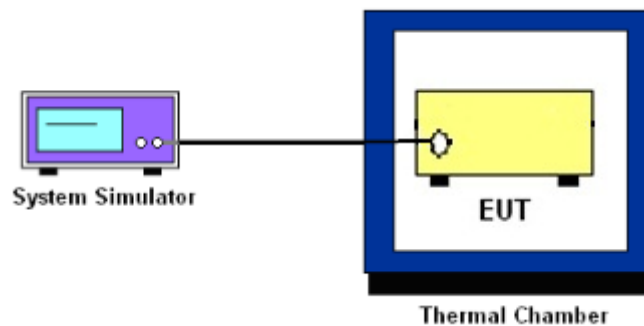
3.2.1 Conducted Output Power



3.2.2 Peak-to-Average Ratio, Occupied Bandwidth ,Conducted Band-Edge and Conducted Spurious Emission



3.2.3 Frequency Stability





3.3 Test Result of Conducted Test

Please refer to Appendix A.

3.4 Conducted Output Power and ERP/EIRP

3.4.1 Description of the Conducted Output Power Measurement and ERP/EIRP Measurement

A system simulator was used to establish communication with the EUT. Its parameters were set to force the EUT transmitting at maximum output power. The measured power in the radio frequency on the transmitter output terminals shall be reported.

3.4.2 Test Procedures

1. The transmitter output port was connected to the system simulator.
2. Set EUT at maximum power through the system simulator.
3. Select lowest, middle, and highest channels for each band and different modulation.
4. Measure and record the power level from the system simulator.



3.5 Peak-to-Average Ratio

3.5.1 Description of the PAR Measurement

Power Complementary Cumulative Distribution Function (CCDF) curves provide a means for characterizing the power peaks of a digitally modulated signal on a statistical basis. A CCDF curve depicts the probability of the peak signal amplitude exceeding the average power level. Most contemporary measurement instrumentation include the capability to produce CCDF curves for an input signal provided that the instrument's resolution bandwidth can be set wide enough to accommodate the entire input signal bandwidth. In measuring transmissions in this band using an average power technique, the peak-to-average ratio (PAR) of the transmission may not exceed 13 dB.

3.5.2 Test Procedures

1. The testing follows FCC KDB 971168 v02r02 Section 5.7.1.
2. The EUT was connected to spectrum and system simulator via a power divider.
3. Set the CCDF (Complementary Cumulative Distribution Function) option in spectrum analyzer.
4. The highest RF powers were measured and recorded the maximum PAPR level associated with a probability of 0.1 %.
5. Record the deviation as Peak to Average Ratio.



3.6 Occupied Bandwidth

3.6.1 Description of Occupied Bandwidth Measurement

The occupied bandwidth is the width of a frequency band such that, below the lower and above the upper frequency limits, the mean powers emitted are each equal to a specified percentage 0.5% of the total mean transmitted power.

The 26 dB emission bandwidth is defined as the frequency range between two points, one above and one below the carrier frequency, at which the spectral density of the emission is attenuated 26 dB below the maximum in-band spectral density of the modulated signal. Spectral density (power per unit bandwidth) is to be measured with a detector of resolution bandwidth equal to approximately 1.0% of the emission bandwidth.

3.6.2 Test Procedures

1. The testing follows FCC KDB 971168 v02r02 Section 4.2.
2. The EUT was connected to spectrum analyzer and system simulator via a power divider.



3.7 Conducted Band Edge

3.7.1 Description of Conducted Band Edge Measurement

22.917(a) and RSS – 132 for Band 5

For operations in the 824 – 849 MHz band, the FCC limit is $43 + 10\log_{10}(P[\text{Watts}])$ dB below the transmitter power P(Watts) in a 100kHz bandwidth. However, in the 1MHz bands immediately outside and adjacent to the licensee's frequency block, a resolution bandwidth of at least one percent of the emission bandwidth of the fundamental emission of the transmitter may be employed.

24.238 (a) and RSS – 133 for Band 2

For operations in the 1850-1910 and 1930-1990 MHz band, the FCC limit is $43 + 10\log_{10}(P[\text{Watts}])$ dB below the transmitter power P(Watts) in a 1MHz bandwidth. However, in the 1 MHz bands immediately outside and adjacent to the frequency block a resolution bandwidth of at least one percent of the emission bandwidth of the fundamental emission of the transmitter may be employed.

27.53 (g) and RSS – 130 for Band 12,17

For operations in the 698 -746 MHz band, the FCC limit is $43 + 10\log_{10}(P[\text{Watts}])$ dB below the transmitter power P(Watts) in a 100 kHz bandwidth. However, in the 100 kilohertz bands immediately outside and adjacent to a licensee's frequency block, a resolution bandwidth of at least 30 kHz may be employed.

27.53 (h) and RSS – 139 for Band 4

For operations in the 1710 – 1755 MHz band, the FCC limit is $43 + 10\log_{10}(P[\text{Watts}])$ dB below the transmitter power P(Watts) in a 1 MHz bandwidth. However, in the 1MHz bands immediately outside and adjacent to the licensee's frequency block, a resolution bandwidth of at least one percent of the emission bandwidth of the fundamental emission of the transmitter may be employed.



27.53(m)(4) and RSS-199 for Band 7

For mobile digital stations, the attenuation factor shall be not less than $40 + 10 \log (P)$ dB on all frequencies between the channel edge and 5 megahertz from the channel edge, $43 + 10 \log (P)$ dB on all frequencies between 5 megahertz and X megahertz from the channel edge, and $55 + 10 \log (P)$ dB on all frequencies more than X megahertz from the channel edge, where X is the greater of 6 megahertz or the actual emission bandwidth as defined in paragraph (m)(6) of this section. In addition, the attenuation factor shall not be less that $43 + 10 \log (P)$ dB on all frequencies between 2490.5 MHz and 2496 MHz and $55 + 10 \log (P)$ dB at or below 2490.5 MHz. Mobile Satellite Service licensees operating on frequencies below 2495 MHz may also submit a documented interference complaint against BRS licensees operating on channel BRS Channel 1 on the same terms and conditions as adjacent channel BRS or EBS licensees.

3.7.2 Test Procedures

1. The testing follows FCC KDB 971168 v02r02 Section 6.0.
2. The EUT was connected to spectrum analyzer and system simulator via a power divider.
3. The band edges of low and high channels for the highest RF powers were measured. Set RBW $\geq 1\%$ EBW in the 1MHz band immediately outside and adjacent to the band edge.
4. Set spectrum analyzer with RMS detector.
5. The RF fundamental frequency should be excluded against the limit line in the operating frequency band.
6. The limit line is derived from $43 + 10\log(P)$ dB below the transmitter power P(Watts)
= $P(W) - [43 + 10\log(P)]$ (dB)
= $[30 + 10\log(P)]$ (dBm) - $[43 + 10\log(P)]$ (dB)
= -13dBm.



3.8 Conducted Spurious Emission

3.8.1 Description of Conducted Spurious Emission Measurement

The power of any emission outside of the authorized operating frequency ranges must be lower than the transmitter power (P) by a factor of at least $43 + 10 \log (P)$ dB.

For Band 7:

The power of any emission outside of the authorized operating frequency ranges must be lower than the transmitter power (P) by a factor of at least $55 + 10 \log (P)$ dB.

It is measured by means of a calibrated spectrum analyzer and scanned from 30 MHz up to a frequency including its 10th harmonic.

3.8.2 Test Procedures

1. The testing follows FCC KDB 971168 v02r02 Section 6.0.
2. The EUT was connected to spectrum analyzer and system simulator via a power divider.
3. The RF output of EUT was connected to the spectrum analyzer by RF cable and attenuator. The path loss was compensated to the results for each measurement.
4. The middle channel for the highest RF power within the transmitting frequency was measured.
5. The conducted spurious emission for the whole frequency range was taken.
6. Make the measurement with the spectrum analyzer's RBW = 1MHz, VBW = 3MHz, taking the record of maximum spurious emission.
7. The RF fundamental frequency should be excluded against the limit line in the operating frequency band.
8. The limit line is derived from $43 + 10\log(P)$ dB below the transmitter power P(Watts)
 $= P(W) - [43 + 10\log(P)]$ (dB)
 $= [30 + 10\log(P)]$ (dBm) - $[43 + 10\log(P)]$ (dB)
 $= -13$ dBm.
9. For Band 7
The limit line is derived from $55 + 10\log(P)$ dB below the transmitter power P(Watts)



3.9 Frequency Stability

3.9.1 Description of Frequency Stability Measurement

The frequency stability shall be measured by variation of ambient temperature and variation of primary supply voltage to ensure that the fundamental emission stays within the authorized frequency block. The frequency stability of the transmitter shall be maintained within $\pm 0.00025\%$ ($\pm 2.5\text{ppm}$) of the center frequency.

3.9.2 Test Procedures for Temperature Variation

1. The EUT was set up in the thermal chamber and connected with the system simulator.
2. With power OFF, the temperature was decreased to -30°C and the EUT was stabilized before testing. Power was applied and the maximum change in frequency was recorded within one minute.
3. With power OFF, the temperature was raised in 10°C step up to 50°C . The EUT was stabilized at each step for at least half an hour. Power was applied and the maximum frequency change was recorded within one minute.

3.9.3 Test Procedures for Voltage Variation

1. The testing follows FCC KDB 971168 v02r02 Section 9.0.
2. The EUT was placed in a temperature chamber at $25\pm 5^{\circ}\text{C}$ and connected with the system simulator.
3. The power supply voltage to the EUT was varied from 85% to 115% of the nominal value measured at the input to the EUT.
4. The variation in frequency was measured for the worst case.

3.9.4 Test Procedures for Frequency Stability (IC)

1. The testing follows FCC KDB 971168 v02r02 Section 9.0.
2. The EUT was connected to spectrum analyzer and system simulator via a power divider.
3. The EUT was operated at the lowest and highest channel
4. Using RBW= 1% OBW and displaying line = -13dBm .
5. The frequency at these points shall be recorded as f_L and f_H respectively.
6. Calculate frequency stability within the 704 – 716 band.

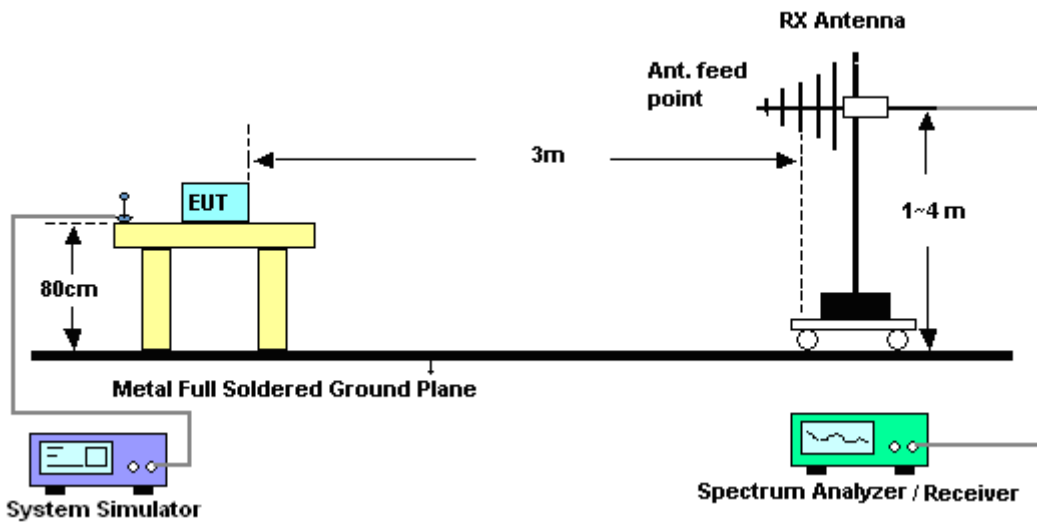
4 Radiated Test Items

4.1 Measuring Instruments

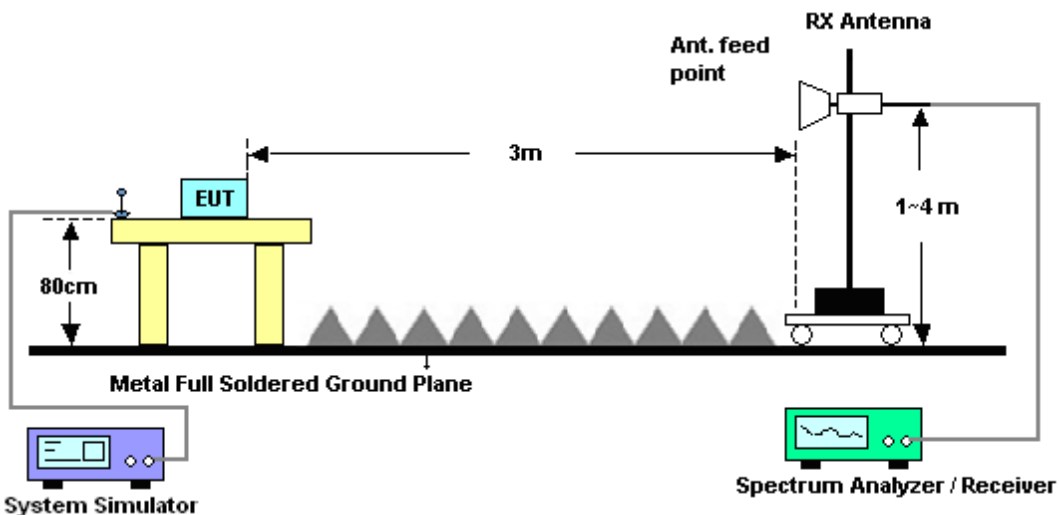
See list of measuring instruments of this test report.

4.2 Test Setup

4.2.1 For radiated test from 30MHz to 1GHz



4.2.2 For radiated test above 1GHz



4.3 Test Result of Radiated Test

Please refer to Appendix B.



4.4 Effective Radiated Power and Effective Isotropic Radiated Power

4.4.1 Description of the ERP/EIRP Measurement

Effective radiated power output measurements by substitution method according to ANSI / TIA / EIA-603-C-2004, and the spectrum analyzer configuration follows KDB 971168 D01 Power Meas. License Digital Systems v02r02. Mobile and portable (hand-held) stations operating are limited to average ERP of 7 watts with LTE band 5 and 3 watts with LTE band 12 / 17.

Equivalent isotropic radiated power output measurements by substitution method according to ANSI / TIA / EIA-603-C-2004, and the spectrum analyzer configuration follows KDB 971168 D01 Power Meas. License Digital Systems v02r02. Mobile and portable (hand-held) stations operating are limited to average EIRP of 2 watts with LTE band 2 / 7 and 1 watt with LTE band 4.

4.4.2 Test Procedures

1. The testing follows FCC KDB 971168 v02r02 Section 5.2.1. (for CDMA/WCDMA), Section 5.2.2.2 (for GSM/GPRS/EDGE) and ANSI / TIA-603-C-2004 Section 2.2.17.
2. The EUT was placed on a non-conductive rotating platform 0.8 meters high in a semi-anechoic chamber. The radiated emission at the fundamental frequency was measured at 3 m with a test antenna and a spectrum analyzer with RMS detector.
3. During the measurement, the system simulator parameters were set to force the EUT transmitting at maximum output power. The maximum emission was recorded from analyzer power level (LVL) from the 360 degrees rotation of the turntable and the test antenna raised and lowered over a range from 1 to 4 meters in both horizontally and vertically polarized orientations.
4. Effective Isotropic Radiated Power (EIRP) was measured by substitution method according to TIA/EIA-603-C. The EUT was replaced by dipole antenna (substitution antenna) at same location, and then a known power from S.G. was applied into the dipole antenna through a Tx cable, and then recorded the maximum Analyzer reading through raised and lowered the test antenna. The correction factor (in dB) = S.G. - Tx Cable loss + Substitution antenna gain - Analyzer reading. Then the EUT's EIRP was calculated with the correction factor, $EIRP = LVL + \text{Correction factor}$ and $ERP = EIRP - 2.15$.



| | LTE Average | | | | | |
|--------------|-------------|---------|---------|---------|---------|---------|
| LTE BW | 1.4M | 3M | 5M | 10M | 15M | 20M |
| Span | 3MHz | 6MHz | 10MHz | 20MHz | 30MHz | 40MHz |
| RBW | 30kHz | 100kHz | 100kHz | 300kHz | 300kHz | 300kHz |
| VBW | 100kHz | 300kHz | 300kHz | 1MHz | 1MHz | 1MHz |
| Detector | RMS | RMS | RMS | RMS | RMS | RMS |
| Trace | Average | Average | Average | Average | Average | Average |
| Average Type | Power | Power | Power | Power | Power | Power |
| Sweep Count | 100 | 100 | 100 | 100 | 100 | 100 |

| | LTE Peak | | | | | |
|----------|----------|----------|----------|----------|----------|----------|
| LTE BW | 1.4M | 3M | 5M | 10M | 15M | 20M |
| Span | 3MHz | 6MHz | 10MHz | 20MHz | 30MHz | 40MHz |
| RBW | 30kHz | 100kHz | 100kHz | 300kHz | 300kHz | 300kHz |
| VBW | 100kHz | 300kHz | 300kHz | 1MHz | 1MHz | 1MHz |
| Detector | Peak | Peak | Peak | Peak | Peak | Peak |
| Trace | Max Hold | Max Hold | Max Hold | Max Hold | Max Hold | Max Hold |
| Power | Channel | Channel | Channel | Channel | Channel | Channel |



4.5 Radiated Spurious Emission

4.5.1 Description of Radiated Spurious Emission

The radiated spurious emission was measured by substitution method according to ANSI / TIA / EIA-603-C-2004. The power of any emission outside of the authorized operating frequency ranges must be attenuated below the transmitter power (P) by a factor of at least $43 + 10 \log (P)$ dB.

For Band 7

The power of any emission outside of the authorized operating frequency ranges must be attenuated below the transmitter power (P) by a factor of at least $55 + 10 \log (P)$ dB.

For LTE Band 12, 17

For operations in the 746-758 MHz, 775-788 MHz, and 805-806 MHz bands, emissions in the band 1559-1610 MHz shall be limited to -70 dBW/MHz equivalent isotropically radiated power (EIRP) for wideband signals, and -80 dBW EIRP for discrete emissions of less than 700 Hz bandwidth.

The spectrum is scanned from 30 MHz up to a frequency including its 10th harmonic.



4.5.2 Test Procedures

1. The testing follows FCC KDB 971168 v02r02 Section 5.8 and ANSI / TIA-603-C-2004 Section 2.2.12.
2. The EUT was placed on a rotatable wooden table with 0.8 meter above ground.
3. The EUT was set 3 meters from the receiving antenna, which was mounted on the antenna tower.
4. The table was rotated 360 degrees to determine the position of the highest spurious emission.
5. The height of the receiving antenna is varied between one meter and four meters to search the maximum spurious emission for both horizontal and vertical polarizations.
6. Make the measurement with the spectrum analyzer's RBW = 1MHz, VBW = 3MHz, taking the record of maximum spurious emission.
7. A horn antenna was substituted in place of the EUT and was driven by a signal generator.
8. Tune the output power of signal generator to the same emission level with EUT maximum spurious emission.
9. Taking the record of output power at antenna port.
10. Repeat step 7 to step 8 for another polarization.
11. The RF fundamental frequency should be excluded against the limit line in the operating frequency band.

The limit line is derived from $43 + 10\log(P)$ dB below the transmitter power P(Watts)
= P(W)- [43 + 10log(P)] (dB)
= [30 + 10log(P)] (dBm) - [43 + 10log(P)] (dB)
= -13dBm.

For Band 7:

The limit line is derived from $55 + 10\log(P)$ dB below the transmitter power P(Watts)

12. EIRP (dBm) = S.G. Power – Tx Cable Loss + Tx Antenna Gain
13. ERP (dBm) = EIRP - 2.15



5 List of Measuring Equipment

| Instrument | Manufacturer | Model No. | Serial No. | Characteristics | Calibration Date | Test Date | Due Date | Remark |
|---------------------------|-----------------|---------------|-------------|-----------------|------------------|-------------------------------|---------------|-----------------------|
| Spectrum Analyzer | Rohde & Schwarz | FSV40 | 101397 | 10Hz~40GHz | Sep. 17, 2014 | Jun. 25, 2015 ~ Jun. 27, 2015 | Sep. 16 2015 | Conducted (TH05-HY) |
| Temperature Chamber | ESPEC | SH-641 | 92013720 | -30°C~70°C | Dec. 04, 2014 | Jun. 25, 2015 ~ Jun. 27, 2015 | Dec. 03, 2015 | Conducted (TH05-HY) |
| Bilog Antenna | Schaffner | CBL6111C | 2726 | 30MHz ~ 1GHz | Sep. 27, 2014 | Jun. 26, 2015 ~ Jun. 29, 2015 | Sep. 26, 2015 | Radiation (03CH07-HY) |
| Double Ridge Horn Antenna | ESCO | 3117 | 00075962 | 1GHz ~ 18GHz | Aug. 19, 2014 | Jun. 26, 2015 ~ Jun. 29, 2015 | Aug. 18, 2015 | Radiation (03CH07-HY) |
| Horn Antenna | SCHWARZBECK | BBHA 9120D | 9120D-1328 | 1GHz ~ 18GHz | Nov. 05, 2014 | Jun. 26, 2015 ~ Jun. 29, 2015 | Nov. 04, 2015 | Radiation (03CH07-HY) |
| Horn Antenna | SCHWARZBECK | BBHA 9170 | BBHA9170584 | 18GHz- 40GHz | Nov. 03, 2014 | Jun. 26, 2015 ~ Jun. 29, 2015 | Nov. 02, 2015 | Radiation (03CH07-HY) |
| Preamplifier | COM-POWER | PA-103A | 161241 | 10MHz-1000MHz | Mar. 12, 2015 | Jun. 26, 2015 ~ Jun. 29, 2015 | Mar. 11, 2016 | Radiation (03CH07-HY) |
| Preamplifier | Agilent | 8449B | 3008A02362 | 1GHz~ 26.5GHz | Oct. 21, 2014 | Jun. 26, 2015 ~ Jun. 29, 2015 | Oct. 20, 2015 | Radiation (03CH07-HY) |
| Signal Analyzer | Rohde & Schwarz | FSV 30 | 101749 | 10Hz~30GHz | Mar. 10, 2015 | Jun. 26, 2015 ~ Jun. 29, 2015 | Mar. 09, 2016 | Radiation (03CH07-HY) |
| Antenna Mast | Max-Full | MFA520BS | N/A | 1m~4m | N/A | Jun. 26, 2015 ~ Jun. 29, 2015 | N/A | Radiation (03CH07-HY) |
| Turn Table | ChainTek | Chaintek 3000 | N/A | 0~360 degree | N/A | Jun. 26, 2015 ~ Jun. 29, 2015 | N/A | Radiation (03CH07-HY) |



6 Uncertainty of Evaluation

Uncertainty of Radiated Emission Measurement (30 MHz ~ 1000 MHz)

| | |
|---|------|
| Measuring Uncertainty for a Level of Confidence of 95% ($U = 2Uc(y)$) | 2.54 |
|---|------|

Uncertainty of Radiated Emission Measurement (1 GHz ~ 40 GHz)

| | |
|---|------|
| Measuring Uncertainty for a Level of Confidence of 95% ($U = 2Uc(y)$) | 4.72 |
|---|------|



Appendix A. Test Results of Conducted Test

Conducted Output Power(Average power)



| LTE Band 2 Maximum Average Power [dBm] | | | | | | |
|--|---------|-----------|--------|--------|--------|---------|
| BW [MHz] | RB Size | RB Offset | Mod | Lowest | Middle | Highest |
| 1.4 | 1 | 0 | QPSK | 23.17 | 23.14 | 22.94 |
| 1.4 | 1 | 2 | | 23.27 | 23.25 | 23.39 |
| 1.4 | 1 | 5 | | 23.10 | 23.19 | 23.11 |
| 1.4 | 3 | 0 | | 23.12 | 23.18 | 23.33 |
| 1.4 | 3 | 1 | | 23.36 | 23.22 | 23.45 |
| 1.4 | 3 | 2 | | 23.30 | 23.21 | 23.37 |
| 1.4 | 6 | 0 | | 22.22 | 22.27 | 22.34 |
| 1.4 | 1 | 0 | 16-QAM | 22.22 | 22.31 | 22.09 |
| 1.4 | 1 | 2 | | 22.40 | 22.59 | 22.35 |
| 1.4 | 1 | 5 | | 22.40 | 22.43 | 22.68 |
| 1.4 | 3 | 0 | | 22.48 | 22.77 | 22.55 |
| 1.4 | 3 | 1 | | 22.36 | 22.41 | 22.58 |
| 1.4 | 3 | 2 | | 22.46 | 22.25 | 22.67 |
| 1.4 | 6 | 0 | | 21.11 | 21.15 | 20.99 |
| 3 | 1 | 0 | QPSK | 23.19 | 23.33 | 23.11 |
| 3 | 1 | 7 | | 23.37 | 23.25 | 23.47 |
| 3 | 1 | 14 | | 23.31 | 23.20 | 23.05 |
| 3 | 8 | 0 | | 22.24 | 22.33 | 22.39 |
| 3 | 8 | 4 | | 22.15 | 22.35 | 22.31 |
| 3 | 8 | 7 | | 22.20 | 22.36 | 22.31 |
| 3 | 15 | 0 | | 22.13 | 22.34 | 22.31 |
| 3 | 1 | 0 | 16-QAM | 22.47 | 22.63 | 22.50 |
| 3 | 1 | 7 | | 22.53 | 22.58 | 22.50 |
| 3 | 1 | 14 | | 22.61 | 22.60 | 22.47 |
| 3 | 8 | 0 | | 21.15 | 21.42 | 21.24 |
| 3 | 8 | 4 | | 21.14 | 21.41 | 21.29 |
| 3 | 8 | 7 | | 21.33 | 21.50 | 21.26 |
| 3 | 15 | 0 | | 20.89 | 21.28 | 21.16 |



| LTE Band 2 Maximum Average Power [dBm] | | | | | | |
|--|---------|-----------|--------|--------|--------|---------|
| BW [MHz] | RB Size | RB Offset | Mod | Lowest | Middle | Highest |
| 5 | 1 | 0 | QPSK | 23.25 | 23.21 | 23.19 |
| 5 | 1 | 12 | | 23.23 | 23.34 | 23.49 |
| 5 | 1 | 24 | | 23.18 | 23.23 | 23.20 |
| 5 | 12 | 0 | | 22.19 | 22.28 | 22.22 |
| 5 | 12 | 6 | | 22.25 | 22.36 | 22.23 |
| 5 | 12 | 11 | | 22.24 | 22.29 | 22.23 |
| 5 | 25 | 0 | | 22.17 | 22.29 | 22.29 |
| 5 | 1 | 0 | 16-QAM | 22.51 | 22.61 | 22.58 |
| 5 | 1 | 12 | | 22.48 | 22.54 | 22.54 |
| 5 | 1 | 24 | | 22.47 | 22.56 | 22.52 |
| 5 | 12 | 0 | | 21.12 | 21.28 | 21.17 |
| 5 | 12 | 6 | | 21.18 | 21.25 | 21.23 |
| 5 | 12 | 11 | | 21.11 | 21.21 | 21.16 |
| 5 | 25 | 0 | | 21.36 | 21.30 | 21.30 |
| 10 | 1 | 0 | QPSK | 23.31 | 23.49 | 23.30 |
| 10 | 1 | 24 | | 23.60 | 23.51 | 23.35 |
| 10 | 1 | 49 | | 23.18 | 23.26 | 23.26 |
| 10 | 25 | 0 | | 22.35 | 22.36 | 22.31 |
| 10 | 25 | 12 | | 22.33 | 22.30 | 22.30 |
| 10 | 25 | 24 | | 22.18 | 22.31 | 22.30 |
| 10 | 50 | 0 | | 22.19 | 22.41 | 22.25 |
| 10 | 1 | 0 | 16-QAM | 22.55 | 22.66 | 22.68 |
| 10 | 1 | 24 | | 22.76 | 22.57 | 22.58 |
| 10 | 1 | 49 | | 22.60 | 22.58 | 22.65 |
| 10 | 25 | 0 | | 21.24 | 21.25 | 21.20 |
| 10 | 25 | 12 | | 21.20 | 21.38 | 21.33 |
| 10 | 25 | 24 | | 21.16 | 21.35 | 21.25 |
| 10 | 50 | 0 | | 21.12 | 21.16 | 21.20 |



| LTE Band 2 Maximum Average Power [dBm] | | | | | | |
|--|---------|-----------|--------|--------|--------|---------|
| BW [MHz] | RB Size | RB Offset | Mod | Lowest | Middle | Highest |
| 15 | 1 | 0 | QPSK | 23.32 | 23.43 | 23.29 |
| 15 | 1 | 37 | | 23.34 | 23.65 | 23.53 |
| 15 | 1 | 74 | | 23.15 | 23.29 | 23.05 |
| 15 | 36 | 0 | | 22.31 | 22.36 | 22.41 |
| 15 | 36 | 18 | | 22.19 | 22.35 | 22.38 |
| 15 | 36 | 37 | | 22.18 | 22.25 | 22.25 |
| 15 | 75 | 0 | | 22.27 | 22.29 | 22.35 |
| 15 | 1 | 0 | 16-QAM | 22.59 | 22.64 | 22.68 |
| 15 | 1 | 37 | | 22.56 | 22.51 | 22.64 |
| 15 | 1 | 74 | | 22.50 | 22.49 | 22.46 |
| 15 | 36 | 0 | | 21.24 | 21.31 | 21.33 |
| 15 | 36 | 18 | | 21.16 | 21.22 | 21.33 |
| 15 | 36 | 37 | | 21.13 | 21.30 | 21.21 |
| 15 | 75 | 0 | | 21.19 | 21.36 | 21.34 |
| 20 | 1 | 0 | QPSK | 23.58 | 23.67 | 23.64 |
| 20 | 1 | 49 | | 23.54 | 23.50 | 23.48 |
| 20 | 1 | 99 | | 23.33 | 23.36 | 23.23 |
| 20 | 50 | 0 | | 22.69 | 22.70 | 22.68 |
| 20 | 50 | 24 | | 22.43 | 22.49 | 22.56 |
| 20 | 50 | 49 | | 22.34 | 22.39 | 22.47 |
| 20 | 100 | 0 | | 22.53 | 22.55 | 22.52 |
| 20 | 1 | 0 | 16-QAM | 22.98 | 22.88 | 22.95 |
| 20 | 1 | 49 | | 22.62 | 23.00 | 22.68 |
| 20 | 1 | 99 | | 22.57 | 22.66 | 22.67 |
| 20 | 50 | 0 | | 21.50 | 21.57 | 21.58 |
| 20 | 50 | 24 | | 21.45 | 21.38 | 21.57 |
| 20 | 50 | 49 | | 21.34 | 21.45 | 21.51 |
| 20 | 100 | 0 | | 21.31 | 21.41 | 21.52 |



| LTE Band 4 Maximum Average Power [dBm] | | | | | | |
|--|---------|-----------|--------|--------|--------|---------|
| BW [MHz] | RB Size | RB Offset | Mod | Lowest | Middle | Highest |
| 1.4 | 1 | 0 | QPSK | 23.42 | 23.37 | 23.59 |
| 1.4 | 1 | 2 | | 23.50 | 23.40 | 23.60 |
| 1.4 | 1 | 5 | | 23.43 | 23.32 | 23.56 |
| 1.4 | 3 | 0 | | 23.42 | 23.46 | 23.62 |
| 1.4 | 3 | 1 | | 23.58 | 23.63 | 23.64 |
| 1.4 | 3 | 2 | | 23.52 | 23.52 | 23.61 |
| 1.4 | 6 | 0 | | 22.37 | 22.47 | 22.61 |
| 1.4 | 1 | 0 | 16-QAM | 22.75 | 22.72 | 22.67 |
| 1.4 | 1 | 2 | | 22.66 | 22.60 | 22.78 |
| 1.4 | 1 | 5 | | 22.69 | 22.47 | 22.88 |
| 1.4 | 3 | 0 | | 22.68 | 22.50 | 22.85 |
| 1.4 | 3 | 1 | | 22.74 | 22.59 | 22.83 |
| 1.4 | 3 | 2 | | 22.66 | 22.72 | 22.85 |
| 1.4 | 6 | 0 | | 21.36 | 21.34 | 21.48 |
| 3 | 1 | 0 | QPSK | 23.50 | 23.51 | 23.53 |
| 3 | 1 | 7 | | 23.47 | 23.31 | 23.61 |
| 3 | 1 | 14 | | 23.47 | 23.29 | 23.58 |
| 3 | 8 | 0 | | 22.42 | 22.50 | 22.58 |
| 3 | 8 | 4 | | 22.43 | 22.44 | 22.53 |
| 3 | 8 | 7 | | 22.42 | 22.44 | 22.56 |
| 3 | 15 | 0 | | 22.43 | 22.38 | 22.52 |
| 3 | 1 | 0 | 16-QAM | 22.73 | 22.79 | 22.87 |
| 3 | 1 | 7 | | 22.74 | 22.72 | 22.79 |
| 3 | 1 | 14 | | 22.73 | 22.72 | 22.83 |
| 3 | 8 | 0 | | 21.35 | 21.61 | 21.56 |
| 3 | 8 | 4 | | 21.15 | 21.38 | 21.67 |
| 3 | 8 | 7 | | 21.28 | 21.37 | 21.60 |
| 3 | 15 | 0 | | 21.20 | 21.27 | 21.44 |



| LTE Band 4 Maximum Average Power [dBm] | | | | | | |
|--|---------|-----------|--------|--------|--------|---------|
| BW [MHz] | RB Size | RB Offset | Mod | Lowest | Middle | Highest |
| 5 | 1 | 0 | QPSK | 23.46 | 23.37 | 23.58 |
| 5 | 1 | 12 | | 23.39 | 23.55 | 23.62 |
| 5 | 1 | 24 | | 23.42 | 23.45 | 23.48 |
| 5 | 12 | 0 | | 22.41 | 22.44 | 22.57 |
| 5 | 12 | 6 | | 22.41 | 22.43 | 22.58 |
| 5 | 12 | 11 | | 22.42 | 22.36 | 22.60 |
| 5 | 25 | 0 | | 22.43 | 22.38 | 22.60 |
| 5 | 1 | 0 | 16-QAM | 22.63 | 22.72 | 22.86 |
| 5 | 1 | 12 | | 22.61 | 22.67 | 22.80 |
| 5 | 1 | 24 | | 22.57 | 22.61 | 22.76 |
| 5 | 12 | 0 | | 21.19 | 21.33 | 21.38 |
| 5 | 12 | 6 | | 21.41 | 21.21 | 21.27 |
| 5 | 12 | 11 | | 21.22 | 21.35 | 21.40 |
| 5 | 25 | 0 | | 21.42 | 21.36 | 21.49 |
| 10 | 1 | 0 | QPSK | 23.47 | 23.49 | 23.60 |
| 10 | 1 | 24 | | 23.59 | 23.51 | 23.58 |
| 10 | 1 | 49 | | 23.38 | 23.31 | 23.40 |
| 10 | 25 | 0 | | 22.63 | 22.52 | 22.68 |
| 10 | 25 | 12 | | 22.63 | 22.50 | 22.76 |
| 10 | 25 | 24 | | 22.52 | 22.36 | 22.54 |
| 10 | 50 | 0 | | 22.58 | 22.41 | 22.57 |
| 10 | 1 | 0 | 16-QAM | 22.84 | 22.77 | 22.85 |
| 10 | 1 | 24 | | 22.79 | 22.68 | 22.87 |
| 10 | 1 | 49 | | 22.66 | 22.66 | 22.69 |
| 10 | 25 | 0 | | 21.62 | 21.50 | 21.60 |
| 10 | 25 | 12 | | 21.61 | 21.48 | 21.60 |
| 10 | 25 | 24 | | 21.50 | 21.34 | 21.54 |
| 10 | 50 | 0 | | 21.68 | 21.39 | 21.56 |



| LTE Band 4 Maximum Average Power [dBm] | | | | | | |
|--|---------|-----------|--------|--------|--------|---------|
| BW [MHz] | RB Size | RB Offset | Mod | Lowest | Middle | Highest |
| 15 | 1 | 0 | QPSK | 23.64 | 23.33 | 23.53 |
| 15 | 1 | 37 | | 23.43 | 23.13 | 23.55 |
| 15 | 1 | 74 | | 23.40 | 23.36 | 23.43 |
| 15 | 36 | 0 | | 22.63 | 22.34 | 22.64 |
| 15 | 36 | 18 | | 22.42 | 22.23 | 22.58 |
| 15 | 36 | 37 | | 22.43 | 22.25 | 22.51 |
| 15 | 75 | 0 | | 22.60 | 22.30 | 22.69 |
| 15 | 1 | 0 | 16-QAM | 22.83 | 22.60 | 22.86 |
| 15 | 1 | 37 | | 22.78 | 22.47 | 22.82 |
| 15 | 1 | 74 | | 22.37 | 22.64 | 22.79 |
| 15 | 36 | 0 | | 21.47 | 21.19 | 21.57 |
| 15 | 36 | 18 | | 21.26 | 21.09 | 21.50 |
| 15 | 36 | 37 | | 21.27 | 21.12 | 21.39 |
| 15 | 75 | 0 | | 21.47 | 21.26 | 21.52 |
| 20 | 1 | 0 | QPSK | 23.58 | 23.67 | 23.65 |
| 20 | 1 | 49 | | 23.55 | 23.43 | 23.58 |
| 20 | 1 | 99 | | 23.25 | 23.50 | 23.45 |
| 20 | 50 | 0 | | 22.50 | 22.75 | 22.60 |
| 20 | 50 | 24 | | 22.47 | 22.68 | 22.59 |
| 20 | 50 | 49 | | 22.34 | 22.66 | 22.53 |
| 20 | 100 | 0 | | 22.35 | 22.67 | 22.58 |
| 20 | 1 | 0 | 16-QAM | 22.78 | 22.80 | 22.87 |
| 20 | 1 | 49 | | 22.64 | 22.78 | 22.79 |
| 20 | 1 | 99 | | 22.14 | 22.81 | 22.78 |
| 20 | 50 | 0 | | 21.59 | 21.64 | 21.44 |
| 20 | 50 | 24 | | 21.49 | 21.63 | 21.52 |
| 20 | 50 | 49 | | 21.26 | 21.57 | 21.54 |
| 20 | 100 | 0 | | 21.31 | 21.73 | 21.61 |



| LTE Band 5 Maximum Average Power [dBm] | | | | | | |
|--|---------|-----------|--------|--------|--------|---------|
| BW [MHz] | RB Size | RB Offset | Mod | Lowest | Middle | Highest |
| 1.4 | 1 | 0 | QPSK | 23.40 | 23.38 | 23.43 |
| 1.4 | 1 | 2 | | 23.48 | 23.47 | 23.44 |
| 1.4 | 1 | 5 | | 23.47 | 23.43 | 23.45 |
| 1.4 | 3 | 0 | | 23.40 | 23.34 | 23.40 |
| 1.4 | 3 | 1 | | 23.43 | 23.42 | 23.44 |
| 1.4 | 3 | 2 | | 23.34 | 23.41 | 23.42 |
| 1.4 | 6 | 0 | | 22.75 | 22.67 | 22.59 |
| 1.4 | 1 | 0 | 16-QAM | 22.97 | 22.93 | 22.95 |
| 1.4 | 1 | 2 | | 22.89 | 22.90 | 22.69 |
| 1.4 | 1 | 5 | | 22.99 | 22.78 | 22.99 |
| 1.4 | 3 | 0 | | 22.84 | 22.87 | 22.71 |
| 1.4 | 3 | 1 | | 22.85 | 22.87 | 22.93 |
| 1.4 | 3 | 2 | | 22.86 | 22.84 | 22.45 |
| 1.4 | 6 | 0 | | 21.49 | 21.46 | 21.48 |
| 3 | 1 | 0 | QPSK | 23.43 | 23.51 | 23.44 |
| 3 | 1 | 7 | | 23.35 | 23.47 | 23.52 |
| 3 | 1 | 14 | | 23.33 | 23.54 | 23.38 |
| 3 | 8 | 0 | | 22.61 | 22.58 | 22.83 |
| 3 | 8 | 4 | | 22.80 | 22.61 | 22.69 |
| 3 | 8 | 7 | | 22.62 | 22.72 | 22.74 |
| 3 | 15 | 0 | | 22.57 | 22.54 | 22.70 |
| 3 | 1 | 0 | 16-QAM | 22.89 | 22.93 | 22.96 |
| 3 | 1 | 7 | | 22.93 | 22.89 | 22.91 |
| 3 | 1 | 14 | | 22.96 | 22.96 | 22.95 |
| 3 | 8 | 0 | | 21.49 | 21.43 | 21.70 |
| 3 | 8 | 4 | | 21.50 | 21.73 | 21.58 |
| 3 | 8 | 7 | | 21.47 | 21.52 | 21.63 |
| 3 | 15 | 0 | | 21.52 | 21.45 | 21.45 |



| LTE Band 5 Maximum Average Power [dBm] | | | | | | |
|--|---------|-----------|--------|--------|--------|---------|
| BW [MHz] | RB Size | RB Offset | Mod | Lowest | Middle | Highest |
| 5 | 1 | 0 | QPSK | 23.41 | 23.39 | 23.48 |
| 5 | 1 | 12 | | 23.38 | 23.38 | 23.52 |
| 5 | 1 | 24 | | 23.46 | 23.41 | 23.47 |
| 5 | 12 | 0 | | 22.58 | 22.56 | 22.65 |
| 5 | 12 | 6 | | 22.64 | 22.46 | 22.71 |
| 5 | 12 | 11 | | 22.56 | 22.55 | 22.69 |
| 5 | 25 | 0 | | 22.56 | 22.51 | 22.66 |
| 5 | 1 | 0 | 16-QAM | 22.89 | 22.78 | 22.97 |
| 5 | 1 | 12 | | 22.86 | 22.86 | 22.89 |
| 5 | 1 | 24 | | 22.88 | 22.78 | 22.84 |
| 5 | 12 | 0 | | 21.51 | 21.43 | 21.58 |
| 5 | 12 | 6 | | 21.47 | 21.31 | 21.52 |
| 5 | 12 | 11 | | 21.43 | 21.41 | 21.42 |
| 5 | 25 | 0 | | 21.71 | 21.46 | 21.62 |
| 10 | 1 | 0 | QPSK | 23.41 | 23.57 | 23.55 |
| 10 | 1 | 24 | | 23.32 | 23.42 | 23.52 |
| 10 | 1 | 49 | | 23.11 | 23.26 | 23.27 |
| 10 | 25 | 0 | | 22.31 | 22.37 | 22.35 |
| 10 | 25 | 12 | | 22.30 | 22.14 | 22.22 |
| 10 | 25 | 24 | | 22.23 | 22.28 | 22.33 |
| 10 | 50 | 0 | | 22.24 | 22.33 | 22.30 |
| 10 | 1 | 0 | 16-QAM | 22.49 | 22.42 | 22.45 |
| 10 | 1 | 24 | | 22.49 | 22.48 | 22.64 |
| 10 | 1 | 49 | | 22.36 | 22.45 | 22.07 |
| 10 | 25 | 0 | | 21.28 | 21.13 | 21.22 |
| 10 | 25 | 12 | | 21.20 | 21.09 | 21.21 |
| 10 | 25 | 24 | | 21.14 | 21.14 | 21.21 |
| 10 | 50 | 0 | | 21.16 | 21.11 | 21.21 |



| LTE Band 7 Maximum Average Power [dBm] | | | | | | |
|--|---------|-----------|--------|--------|--------|---------|
| BW [MHz] | RB Size | RB Offset | Mod | Lowest | Middle | Highest |
| 5 | 1 | 0 | QPSK | 23.31 | 23.14 | 23.51 |
| 5 | 1 | 12 | | 23.18 | 23.32 | 23.61 |
| 5 | 1 | 24 | | 23.19 | 23.10 | 23.52 |
| 5 | 12 | 0 | | 22.23 | 22.15 | 22.53 |
| 5 | 12 | 6 | | 22.30 | 22.10 | 22.55 |
| 5 | 12 | 11 | | 22.23 | 22.14 | 22.62 |
| 5 | 25 | 0 | | 22.22 | 22.07 | 22.56 |
| 5 | 1 | 0 | 16-QAM | 22.61 | 22.42 | 22.83 |
| 5 | 1 | 12 | | 22.36 | 22.29 | 22.72 |
| 5 | 1 | 24 | | 22.47 | 22.32 | 22.80 |
| 5 | 12 | 0 | | 21.26 | 21.18 | 21.60 |
| 5 | 12 | 6 | | 21.14 | 21.17 | 21.62 |
| 5 | 12 | 11 | | 21.15 | 21.18 | 21.61 |
| 5 | 25 | 0 | | 21.19 | 21.37 | 21.61 |
| 10 | 1 | 0 | QPSK | 23.24 | 23.14 | 23.57 |
| 10 | 1 | 24 | | 23.45 | 23.36 | 23.60 |
| 10 | 1 | 49 | | 23.22 | 23.20 | 23.56 |
| 10 | 25 | 0 | | 22.21 | 22.16 | 22.61 |
| 10 | 25 | 12 | | 22.32 | 22.26 | 22.67 |
| 10 | 25 | 24 | | 22.33 | 22.22 | 22.72 |
| 10 | 50 | 0 | | 22.30 | 22.17 | 22.66 |
| 10 | 1 | 0 | 16-QAM | 22.24 | 22.31 | 22.70 |
| 10 | 1 | 24 | | 22.45 | 22.31 | 22.77 |
| 10 | 1 | 49 | | 22.44 | 22.61 | 22.93 |
| 10 | 25 | 0 | | 21.40 | 21.25 | 21.65 |
| 10 | 25 | 12 | | 21.31 | 21.38 | 21.73 |
| 10 | 25 | 24 | | 21.45 | 21.41 | 21.70 |
| 10 | 50 | 0 | | 21.29 | 21.17 | 21.58 |



| LTE Band 7 Maximum Average Power [dBm] | | | | | | |
|--|---------|-----------|--------|--------|--------|---------|
| BW [MHz] | RB Size | RB Offset | Mod | Lowest | Middle | Highest |
| 15 | 1 | 0 | QPSK | 23.14 | 23.01 | 23.47 |
| 15 | 1 | 37 | | 23.33 | 23.11 | 23.39 |
| 15 | 1 | 74 | | 23.19 | 23.08 | 23.41 |
| 15 | 36 | 0 | | 22.24 | 22.14 | 22.55 |
| 15 | 36 | 18 | | 22.26 | 22.12 | 22.52 |
| 15 | 36 | 37 | | 22.19 | 22.06 | 22.51 |
| 15 | 75 | 0 | | 22.30 | 22.14 | 22.55 |
| 15 | 1 | 0 | 16-QAM | 22.23 | 22.45 | 22.70 |
| 15 | 1 | 37 | | 22.36 | 22.27 | 22.73 |
| 15 | 1 | 74 | | 22.53 | 22.34 | 22.83 |
| 15 | 36 | 0 | | 21.19 | 21.20 | 21.56 |
| 15 | 36 | 18 | | 21.24 | 21.08 | 21.58 |
| 15 | 36 | 37 | | 21.27 | 21.17 | 21.65 |
| 15 | 75 | 0 | | 21.30 | 21.18 | 21.45 |
| 20 | 1 | 0 | QPSK | 23.41 | 23.34 | 23.64 |
| 20 | 1 | 49 | | 23.36 | 23.21 | 23.50 |
| 20 | 1 | 99 | | 23.01 | 23.16 | 23.50 |
| 20 | 50 | 0 | | 22.27 | 22.17 | 22.54 |
| 20 | 50 | 24 | | 22.19 | 22.05 | 22.44 |
| 20 | 50 | 49 | | 22.23 | 22.15 | 22.41 |
| 20 | 100 | 0 | | 22.14 | 22.04 | 22.52 |
| 20 | 1 | 0 | 16-QAM | 22.21 | 22.33 | 22.67 |
| 20 | 1 | 49 | | 22.51 | 22.20 | 22.29 |
| 20 | 1 | 99 | | 22.01 | 22.23 | 22.33 |
| 20 | 50 | 0 | | 21.34 | 21.09 | 21.57 |
| 20 | 50 | 24 | | 21.28 | 21.08 | 21.31 |
| 20 | 50 | 49 | | 21.16 | 21.17 | 21.35 |
| 20 | 100 | 0 | | 21.23 | 21.15 | 21.48 |



| LTE Band 12 Maximum Average Power [dBm] | | | | | | |
|---|---------|-----------|--------|--------|--------|---------|
| BW [MHz] | RB Size | RB Offset | Mod | Lowest | Middle | Highest |
| 1.4 | 1 | 0 | QPSK | 22.97 | 23.31 | 23.24 |
| 1.4 | 1 | 2 | | 23.14 | 23.42 | 23.26 |
| 1.4 | 1 | 5 | | 23.06 | 23.37 | 23.31 |
| 1.4 | 3 | 0 | | 23.05 | 23.24 | 23.34 |
| 1.4 | 3 | 1 | | 23.07 | 23.41 | 23.28 |
| 1.4 | 3 | 2 | | 23.14 | 23.39 | 23.24 |
| 1.4 | 6 | 0 | | 22.14 | 22.38 | 22.23 |
| 1.4 | 1 | 0 | 16-QAM | 22.49 | 22.80 | 22.61 |
| 1.4 | 1 | 2 | | 22.49 | 22.77 | 22.71 |
| 1.4 | 1 | 5 | | 22.54 | 22.83 | 22.83 |
| 1.4 | 3 | 0 | | 22.57 | 22.55 | 22.77 |
| 1.4 | 3 | 1 | | 22.42 | 22.63 | 22.86 |
| 1.4 | 3 | 2 | | 22.59 | 22.78 | 22.80 |
| 1.4 | 6 | 0 | | 21.07 | 21.55 | 21.12 |
| 3 | 1 | 0 | QPSK | 23.24 | 23.32 | 23.14 |
| 3 | 1 | 7 | | 23.38 | 23.25 | 23.31 |
| 3 | 1 | 14 | | 23.21 | 23.41 | 23.22 |
| 3 | 8 | 0 | | 22.34 | 22.47 | 22.37 |
| 3 | 8 | 4 | | 22.28 | 22.51 | 22.30 |
| 3 | 8 | 7 | | 22.35 | 22.57 | 22.25 |
| 3 | 15 | 0 | | 22.28 | 22.49 | 22.20 |
| 3 | 1 | 0 | 16-QAM | 22.57 | 22.72 | 22.84 |
| 3 | 1 | 7 | | 22.59 | 22.80 | 22.73 |
| 3 | 1 | 14 | | 22.71 | 22.71 | 22.91 |
| 3 | 8 | 0 | | 21.27 | 21.23 | 21.48 |
| 3 | 8 | 4 | | 21.24 | 21.47 | 21.47 |
| 3 | 8 | 7 | | 21.27 | 21.55 | 21.41 |
| 3 | 15 | 0 | | 21.34 | 21.23 | 21.53 |



| LTE Band 12 Maximum Average Power [dBm] | | | | | | |
|---|---------|-----------|--------|--------|--------|---------|
| BW [MHz] | RB Size | RB Offset | Mod | Lowest | Middle | Highest |
| 5 | 1 | 0 | QPSK | 23.13 | 23.24 | 23.15 |
| 5 | 1 | 12 | | 23.40 | 23.36 | 23.39 |
| 5 | 1 | 24 | | 23.35 | 23.37 | 23.17 |
| 5 | 12 | 0 | | 22.30 | 22.48 | 22.17 |
| 5 | 12 | 6 | | 22.14 | 22.53 | 22.22 |
| 5 | 12 | 11 | | 22.07 | 22.55 | 22.24 |
| 5 | 25 | 0 | | 22.11 | 22.45 | 22.22 |
| 5 | 1 | 0 | 16-QAM | 22.98 | 22.64 | 22.61 |
| 5 | 1 | 12 | | 22.61 | 22.72 | 22.75 |
| 5 | 1 | 24 | | 22.67 | 22.70 | 22.77 |
| 5 | 12 | 0 | | 21.21 | 21.40 | 21.35 |
| 5 | 12 | 6 | | 21.27 | 21.34 | 21.45 |
| 5 | 12 | 11 | | 21.26 | 21.53 | 21.39 |
| 5 | 25 | 0 | | 21.35 | 21.46 | 21.46 |
| 10 | 1 | 0 | QPSK | 23.08 | 23.42 | 23.36 |
| 10 | 1 | 24 | | 23.06 | 23.29 | 23.23 |
| 10 | 1 | 49 | | 23.00 | 23.16 | 23.31 |
| 10 | 25 | 0 | | 22.26 | 22.32 | 22.29 |
| 10 | 25 | 12 | | 22.13 | 22.30 | 22.25 |
| 10 | 25 | 24 | | 22.24 | 22.19 | 22.28 |
| 10 | 50 | 0 | | 22.14 | 22.28 | 22.21 |
| 10 | 1 | 0 | 16-QAM | 22.06 | 22.25 | 22.68 |
| 10 | 1 | 24 | | 22.18 | 22.51 | 22.50 |
| 10 | 1 | 49 | | 22.35 | 22.39 | 22.64 |
| 10 | 25 | 0 | | 21.15 | 21.14 | 21.23 |
| 10 | 25 | 12 | | 21.08 | 21.25 | 21.28 |
| 10 | 25 | 24 | | 21.32 | 21.31 | 21.27 |
| 10 | 50 | 0 | | 21.07 | 21.02 | 21.26 |



| LTE Band 17 Maximum Average Power [dBm] | | | | | | |
|---|---------|-----------|--------|--------|--------|---------|
| BW [MHz] | RB Size | RB Offset | Mod | Lowest | Middle | Highest |
| 5 | 1 | 0 | QPSK | 23.29 | 23.32 | 23.36 |
| 5 | 1 | 12 | | 23.39 | 23.37 | 23.33 |
| 5 | 1 | 24 | | 23.28 | 23.31 | 23.38 |
| 5 | 12 | 0 | | 22.21 | 22.24 | 22.18 |
| 5 | 12 | 6 | | 22.25 | 22.31 | 22.33 |
| 5 | 12 | 11 | | 22.27 | 22.36 | 22.33 |
| 5 | 25 | 0 | | 22.31 | 22.32 | 22.33 |
| 5 | 1 | 0 | 16-QAM | 22.50 | 22.52 | 22.49 |
| 5 | 1 | 12 | | 22.50 | 22.58 | 22.56 |
| 5 | 1 | 24 | | 22.38 | 22.57 | 22.43 |
| 5 | 12 | 0 | | 21.20 | 21.15 | 21.14 |
| 5 | 12 | 6 | | 21.22 | 21.20 | 21.24 |
| 5 | 12 | 11 | | 21.17 | 21.16 | 21.27 |
| 5 | 25 | 0 | | 21.31 | 21.20 | 21.25 |
| 10 | 1 | 0 | QPSK | 23.33 | 23.44 | 23.34 |
| 10 | 1 | 24 | | 23.31 | 23.36 | 23.31 |
| 10 | 1 | 49 | | 23.10 | 23.21 | 23.23 |
| 10 | 25 | 0 | | 22.24 | 22.26 | 22.21 |
| 10 | 25 | 12 | | 22.15 | 22.07 | 22.05 |
| 10 | 25 | 24 | | 22.18 | 22.16 | 22.18 |
| 10 | 50 | 0 | | 22.18 | 22.19 | 22.15 |
| 10 | 1 | 0 | 16-QAM | 21.99 | 22.35 | 22.44 |
| 10 | 1 | 24 | | 22.36 | 22.40 | 22.45 |
| 10 | 1 | 49 | | 22.36 | 22.55 | 22.47 |
| 10 | 25 | 0 | | 21.25 | 21.34 | 21.13 |
| 10 | 25 | 12 | | 21.26 | 21.13 | 21.02 |
| 10 | 25 | 24 | | 21.24 | 21.27 | 21.30 |
| 10 | 50 | 0 | | 21.08 | 21.13 | 21.07 |



Appendix B. Test Results of Radiated Test

ERP/EIRP



| LTE Band 2 / 1.4MHz | | | | | | | |
|---------------------|------------|------|--------|------------|---------|-----------|---------|
| Channel | Modulation | RB | | Horizontal | | Vertical | |
| | | Size | Offset | EIRP(dBm) | EIRP(W) | EIRP(dBm) | EIRP(W) |
| Lowest | QPSK | 1 | 0 | 19.09 | 0.0811 | 18.88 | 0.0773 |
| Middle | | 1 | 0 | 19.95 | 0.0989 | 19.57 | 0.0906 |
| Highest | | 1 | 0 | 20.50 | 0.1122 | 19.85 | 0.0966 |
| Lowest | 16QAM | 1 | 0 | 17.88 | 0.0614 | 17.71 | 0.0590 |
| Middle | | 1 | 0 | 19.20 | 0.0832 | 18.85 | 0.0767 |
| Highest | | 1 | 0 | 19.91 | 0.0979 | 19.13 | 0.0818 |
| Limit | EIRP < 2W | | | Result | | PASS | |

| LTE Band 2 / 3MHz | | | | | | | |
|-------------------|------------|------|--------|------------|---------|-----------|---------|
| Channel | Modulation | RB | | Horizontal | | Vertical | |
| | | Size | Offset | EIRP(dBm) | EIRP(W) | EIRP(dBm) | EIRP(W) |
| Lowest | QPSK | 1 | 0 | 18.87 | 0.0771 | 18.80 | 0.0759 |
| Middle | | 1 | 0 | 20.07 | 0.1016 | 19.58 | 0.0908 |
| Highest | | 1 | 0 | 20.13 | 0.1030 | 19.53 | 0.0897 |
| Lowest | 16QAM | 1 | 0 | 18.46 | 0.0701 | 18.28 | 0.0673 |
| Middle | | 1 | 0 | 19.23 | 0.0838 | 18.75 | 0.0750 |
| Highest | | 1 | 0 | 19.62 | 0.0916 | 19.09 | 0.0811 |
| Limit | EIRP < 2W | | | Result | | PASS | |

| LTE Band 2 / 5MHz | | | | | | | |
|-------------------|------------|------|--------|------------|---------|-----------|---------|
| Channel | Modulation | RB | | Horizontal | | Vertical | |
| | | Size | Offset | EIRP(dBm) | EIRP(W) | EIRP(dBm) | EIRP(W) |
| Lowest | QPSK | 1 | 0 | 19.24 | 0.0839 | 19.06 | 0.0805 |
| Middle | | 1 | 0 | 19.90 | 0.0977 | 19.39 | 0.0869 |
| Highest | | 1 | 0 | 20.57 | 0.1140 | 19.90 | 0.0977 |
| Lowest | 16QAM | 1 | 0 | 18.49 | 0.0706 | 18.22 | 0.0664 |
| Middle | | 1 | 0 | 19.12 | 0.0817 | 18.73 | 0.0746 |
| Highest | | 1 | 0 | 19.52 | 0.0895 | 18.97 | 0.0789 |
| Limit | EIRP < 2W | | | Result | | PASS | |



| LTE Band 2 / 10MHz | | | | | | | |
|--------------------|------------|------|--------|------------|---------|-----------|---------|
| Channel | Modulation | RB | | Horizontal | | Vertical | |
| | | Size | Offset | EIRP(dBm) | EIRP(W) | EIRP(dBm) | EIRP(W) |
| Lowest | QPSK | 1 | 0 | 19.29 | 0.0849 | 19.23 | 0.0838 |
| Middle | | 1 | 0 | 20.17 | 0.1040 | 19.68 | 0.0929 |
| Highest | | 1 | 0 | 20.40 | 0.1096 | 19.83 | 0.0962 |
| Lowest | 16QAM | 1 | 0 | 18.26 | 0.0670 | 18.22 | 0.0664 |
| Middle | | 1 | 0 | 19.13 | 0.0818 | 18.72 | 0.0745 |
| Highest | | 1 | 0 | 19.75 | 0.0944 | 19.23 | 0.0838 |
| Limit | EIRP < 2W | | | Result | | PASS | |

| LTE Band 2 / 15MHz | | | | | | | |
|--------------------|------------|------|--------|------------|---------|-----------|---------|
| Channel | Modulation | RB | | Horizontal | | Vertical | |
| | | Size | Offset | EIRP(dBm) | EIRP(W) | EIRP(dBm) | EIRP(W) |
| Lowest | QPSK | 1 | 0 | 19.46 | 0.0883 | 19.42 | 0.0875 |
| Middle | | 1 | 0 | 20.26 | 0.1062 | 19.76 | 0.0946 |
| Highest | | 1 | 0 | 20.31 | 0.1074 | 19.89 | 0.0975 |
| Lowest | 16QAM | 1 | 0 | 18.50 | 0.0708 | 18.35 | 0.0684 |
| Middle | | 1 | 0 | 18.68 | 0.0738 | 18.37 | 0.0687 |
| Highest | | 1 | 0 | 19.04 | 0.0802 | 18.57 | 0.0719 |
| Limit | EIRP < 2W | | | Result | | PASS | |

| LTE Band 2 / 20MHz | | | | | | | |
|--------------------|------------|------|--------|------------|---------|-----------|---------|
| Channel | Modulation | RB | | Horizontal | | Vertical | |
| | | Size | Offset | EIRP(dBm) | EIRP(W) | EIRP(dBm) | EIRP(W) |
| Lowest | QPSK | 1 | 0 | 19.25 | 0.0841 | 19.06 | 0.0805 |
| Middle | | 1 | 0 | 19.92 | 0.0982 | 19.57 | 0.0906 |
| Highest | | 1 | 0 | 20.30 | 0.1072 | 19.80 | 0.0955 |
| Lowest | 16QAM | 1 | 0 | 17.76 | 0.0597 | 17.79 | 0.0601 |
| Middle | | 1 | 0 | 19.20 | 0.0832 | 18.70 | 0.0741 |
| Highest | | 1 | 0 | 18.70 | 0.0741 | 18.29 | 0.0675 |
| Limit | EIRP < 2W | | | Result | | PASS | |



| LTE Band 4 / 1.4MHz | | | | | | | |
|---------------------|------------|------|--------|------------|---------|-----------|---------|
| Channel | Modulation | RB | | Horizontal | | Vertical | |
| | | Size | Offset | EIRP(dBm) | EIRP(W) | EIRP(dBm) | EIRP(W) |
| Lowest | QPSK | 1 | 0 | 21.52 | 0.1419 | 19.25 | 0.0841 |
| Middle | | 1 | 0 | 20.86 | 0.1219 | 18.48 | 0.0705 |
| Highest | | 1 | 0 | 20.52 | 0.1127 | 19.12 | 0.0817 |
| Lowest | 16QAM | 1 | 0 | 20.60 | 0.1148 | 17.83 | 0.0607 |
| Middle | | 1 | 0 | 19.88 | 0.0973 | 17.61 | 0.0577 |
| Highest | | 1 | 0 | 19.45 | 0.0881 | 17.61 | 0.0577 |
| Limit | EIRP < 1W | | | Result | | PASS | |

| LTE Band 4 / 3MHz | | | | | | | |
|-------------------|------------|------|--------|------------|---------|-----------|---------|
| Channel | Modulation | RB | | Horizontal | | Vertical | |
| | | Size | Offset | EIRP(dBm) | EIRP(W) | EIRP(dBm) | EIRP(W) |
| Lowest | QPSK | 1 | 0 | 21.44 | 0.1393 | 19.01 | 0.0796 |
| Middle | | 1 | 0 | 20.86 | 0.1219 | 18.56 | 0.0718 |
| Highest | | 1 | 0 | 20.38 | 0.1091 | 18.78 | 0.0755 |
| Lowest | 16QAM | 1 | 0 | 20.64 | 0.1159 | 18.27 | 0.0671 |
| Middle | | 1 | 0 | 20.37 | 0.1089 | 17.93 | 0.0621 |
| Highest | | 1 | 0 | 19.48 | 0.0887 | 17.55 | 0.0569 |
| Limit | EIRP < 1W | | | Result | | PASS | |

| LTE Band 4 / 5MHz | | | | | | | |
|-------------------|------------|------|--------|------------|---------|-----------|---------|
| Channel | Modulation | RB | | Horizontal | | Vertical | |
| | | Size | Offset | EIRP(dBm) | EIRP(W) | EIRP(dBm) | EIRP(W) |
| Lowest | QPSK | 1 | 0 | 21.26 | 0.1337 | 18.78 | 0.0755 |
| Middle | | 1 | 0 | 20.92 | 0.1236 | 18.63 | 0.0729 |
| Highest | | 1 | 0 | 20.63 | 0.1156 | 19.05 | 0.0804 |
| Lowest | 16QAM | 1 | 0 | 20.41 | 0.1099 | 18.02 | 0.0634 |
| Middle | | 1 | 0 | 19.98 | 0.0995 | 17.42 | 0.0552 |
| Highest | | 1 | 0 | 19.62 | 0.0916 | 17.52 | 0.0565 |
| Limit | EIRP < 1W | | | Result | | PASS | |



| LTE Band 4/ 10MHz | | | | | | | |
|-------------------|------------|------|--------|------------|---------|-----------|---------|
| Channel | Modulation | RB | | Horizontal | | Vertical | |
| | | Size | Offset | EIRP(dBm) | EIRP(W) | EIRP(dBm) | EIRP(W) |
| Lowest | QPSK | 1 | 0 | 21.10 | 0.1288 | 18.67 | 0.0736 |
| Middle | | 1 | 0 | 21.20 | 0.1318 | 18.72 | 0.0745 |
| Highest | | 1 | 0 | 20.86 | 0.1219 | 19.03 | 0.0800 |
| Lowest | 16QAM | 1 | 0 | 20.29 | 0.1069 | 17.91 | 0.0618 |
| Middle | | 1 | 0 | 19.91 | 0.0979 | 17.69 | 0.0587 |
| Highest | | 1 | 0 | 19.71 | 0.0935 | 17.55 | 0.0569 |
| Limit | EIRP < 1W | | | Result | | PASS | |

| LTE Band 4 / 15MHz | | | | | | | |
|--------------------|------------|------|--------|------------|---------|-----------|---------|
| Channel | Modulation | RB | | Horizontal | | Vertical | |
| | | Size | Offset | EIRP(dBm) | EIRP(W) | EIRP(dBm) | EIRP(W) |
| Lowest | QPSK | 1 | 0 | 21.22 | 0.1324 | 18.92 | 0.0780 |
| Middle | | 1 | 0 | 21.16 | 0.1306 | 18.67 | 0.0736 |
| Highest | | 1 | 0 | 21.04 | 0.1271 | 19.03 | 0.0800 |
| Lowest | 16QAM | 1 | 0 | 20.76 | 0.1191 | 18.36 | 0.0685 |
| Middle | | 1 | 0 | 20.48 | 0.1117 | 18.12 | 0.0649 |
| Highest | | 1 | 0 | 20.01 | 0.1002 | 17.65 | 0.0582 |
| Limit | EIRP < 1W | | | Result | | PASS | |

| LTE Band 4 / 20MHz | | | | | | | |
|--------------------|------------|------|--------|------------|---------|-----------|---------|
| Channel | Modulation | RB | | Horizontal | | Vertical | |
| | | Size | Offset | EIRP(dBm) | EIRP(W) | EIRP(dBm) | EIRP(W) |
| Lowest | QPSK | 1 | 0 | 21.49 | 0.1409 | 19.06 | 0.0805 |
| Middle | | 1 | 0 | 21.19 | 0.1315 | 18.72 | 0.0745 |
| Highest | | 1 | 0 | 20.91 | 0.1233 | 18.73 | 0.0746 |
| Lowest | 16QAM | 1 | 0 | 20.57 | 0.1140 | 18.32 | 0.0679 |
| Middle | | 1 | 0 | 20.52 | 0.1127 | 18.10 | 0.0646 |
| Highest | | 1 | 0 | 19.89 | 0.0975 | 17.44 | 0.0555 |
| Limit | EIRP < 1W | | | Result | | PASS | |



| LTE Band 5 / 1.4MHz | | | | | | | |
|---------------------|------------|------|--------|------------|--------|----------|--------|
| Channel | Modulation | RB | | Horizontal | | Vertical | |
| | | Size | Offset | ERP(dBm) | ERP(W) | ERP(dBm) | ERP(W) |
| Lowest | QPSK | 1 | 0 | 17.77 | 0.0598 | 4.59 | 0.0029 |
| Middle | | 1 | 0 | 18.15 | 0.0653 | 3.83 | 0.0024 |
| Highest | | 1 | 0 | 18.17 | 0.0656 | 5.49 | 0.0035 |
| Lowest | 16QAM | 1 | 0 | 16.79 | 0.0478 | 3.64 | 0.0023 |
| Middle | | 1 | 0 | 17.18 | 0.0522 | 3.24 | 0.0021 |
| Highest | | 1 | 0 | 16.82 | 0.0481 | 1.88 | 0.0015 |
| Limit | ERP < 7W | | | Result | | PASS | |

| LTE Band 5 / 3MHz | | | | | | | |
|-------------------|------------|------|--------|------------|--------|----------|--------|
| Channel | Modulation | RB | | Horizontal | | Vertical | |
| | | Size | Offset | ERP(dBm) | ERP(W) | ERP(dBm) | ERP(W) |
| Lowest | QPSK | 1 | 0 | 17.83 | 0.0607 | 4.37 | 0.0027 |
| Middle | | 1 | 0 | 18.38 | 0.0689 | 3.61 | 0.0023 |
| Highest | | 1 | 0 | 18.01 | 0.0632 | 4.10 | 0.0026 |
| Lowest | 16QAM | 1 | 0 | 16.99 | 0.0500 | 3.94 | 0.0025 |
| Middle | | 1 | 0 | 17.51 | 0.0564 | 3.94 | 0.0025 |
| Highest | | 1 | 0 | 17.66 | 0.0583 | 2.72 | 0.0019 |
| Limit | ERP < 7W | | | Result | | PASS | |



| LTE Band 5 / 5MHz | | | | | | | |
|-------------------|------------|------|--------|------------|--------|----------|--------|
| Channel | Modulation | RB | | Horizontal | | Vertical | |
| | | Size | Offset | ERP(dBm) | ERP(W) | ERP(dBm) | ERP(W) |
| Lowest | QPSK | 1 | 0 | 17.88 | 0.0614 | 4.50 | 0.0028 |
| Middle | | 1 | 0 | 18.23 | 0.0665 | 3.61 | 0.0023 |
| Highest | | 1 | 0 | 18.34 | 0.0682 | 3.94 | 0.0025 |
| Lowest | 16QAM | 1 | 0 | 17.10 | 0.0513 | 4.11 | 0.0026 |
| Middle | | 1 | 0 | 17.10 | 0.0513 | 3.73 | 0.0024 |
| Highest | | 1 | 0 | 17.36 | 0.0545 | 3.48 | 0.0022 |
| Limit | ERP < 7W | | | Result | | PASS | |

| LTE Band 5 / 10MHz | | | | | | | |
|--------------------|------------|------|--------|------------|--------|----------|--------|
| Channel | Modulation | RB | | Horizontal | | Vertical | |
| | | Size | Offset | ERP(dBm) | ERP(W) | ERP(dBm) | ERP(W) |
| Lowest | QPSK | 1 | 0 | 17.76 | 0.0597 | 4.70 | 0.0030 |
| Middle | | 1 | 0 | 18.08 | 0.0643 | 4.44 | 0.0028 |
| Highest | | 1 | 0 | 18.15 | 0.0653 | 3.83 | 0.0024 |
| Lowest | 16QAM | 1 | 0 | 17.29 | 0.0536 | 4.46 | 0.0028 |
| Middle | | 1 | 0 | 17.37 | 0.0546 | 3.95 | 0.0025 |
| Highest | | 1 | 0 | 17.79 | 0.0601 | 3.45 | 0.0022 |
| Limit | ERP < 7W | | | Result | | PASS | |



| LTE Band 7 / 5MHz | | | | | | | |
|-------------------|------------|------|--------|------------|---------|-----------|---------|
| Channel | Modulation | RB | | Horizontal | | Vertical | |
| | | Size | Offset | EIRP(dBm) | EIRP(W) | EIRP(dBm) | EIRP(W) |
| Lowest | QPSK | 1 | 0 | 19.74 | 0.0942 | 18.14 | 0.0652 |
| Middle | | 1 | 0 | 20.10 | 0.1023 | 18.68 | 0.0738 |
| Highest | | 1 | 0 | 20.37 | 0.1089 | 18.98 | 0.0791 |
| Lowest | 16QAM | 1 | 0 | 18.98 | 0.0791 | 17.35 | 0.0543 |
| Middle | | 1 | 0 | 19.16 | 0.0824 | 17.63 | 0.0579 |
| Highest | | 1 | 0 | 19.63 | 0.0918 | 18.32 | 0.0679 |
| Limit | EIRP < 2W | | | Result | | PASS | |

| LTE Band 7 / 10MHz | | | | | | | |
|--------------------|------------|------|--------|------------|---------|-----------|---------|
| Channel | Modulation | RB | | Horizontal | | Vertical | |
| | | Size | Offset | EIRP(dBm) | EIRP(W) | EIRP(dBm) | EIRP(W) |
| Lowest | QPSK | 1 | 0 | 19.89 | 0.0975 | 18.23 | 0.0665 |
| Middle | | 1 | 0 | 20.15 | 0.1035 | 18.40 | 0.0692 |
| Highest | | 1 | 0 | 20.94 | 0.1242 | 19.23 | 0.0838 |
| Lowest | 16QAM | 1 | 0 | 19.01 | 0.0796 | 17.29 | 0.0536 |
| Middle | | 1 | 0 | 19.27 | 0.0845 | 17.50 | 0.0562 |
| Highest | | 1 | 0 | 19.75 | 0.0944 | 18.01 | 0.0632 |
| Limit | EIRP < 2W | | | Result | | PASS | |



| LTE Band 7 / 15MHz | | | | | | | |
|--------------------|------------|------|--------|------------|---------|-----------|---------|
| Channel | Modulation | RB | | Horizontal | | Vertical | |
| | | Size | Offset | EIRP(dBm) | EIRP(W) | EIRP(dBm) | EIRP(W) |
| Lowest | QPSK | 1 | 0 | 20.01 | 0.1002 | 18.15 | 0.0653 |
| Middle | | 1 | 0 | 20.36 | 0.1086 | 18.64 | 0.0731 |
| Highest | | 1 | 0 | 21.11 | 0.1291 | 19.37 | 0.0865 |
| Lowest | 16QAM | 1 | 0 | 19.69 | 0.0931 | 17.90 | 0.0617 |
| Middle | | 1 | 0 | 19.19 | 0.0830 | 17.48 | 0.0560 |
| Highest | | 1 | 0 | 19.54 | 0.0899 | 17.81 | 0.0604 |
| Limit | EIRP < 2W | | | Result | | PASS | |

| LTE Band 7 / 20MHz | | | | | | | |
|--------------------|------------|------|--------|------------|---------|-----------|---------|
| Channel | Modulation | RB | | Horizontal | | Vertical | |
| | | Size | Offset | EIRP(dBm) | EIRP(W) | EIRP(dBm) | EIRP(W) |
| Lowest | QPSK | 1 | 0 | 19.99 | 0.0998 | 17.67 | 0.0585 |
| Middle | | 1 | 0 | 20.50 | 0.1122 | 18.17 | 0.0656 |
| Highest | | 1 | 0 | 21.12 | 0.1294 | 18.85 | 0.0767 |
| Lowest | 16QAM | 1 | 0 | 19.37 | 0.0865 | 17.45 | 0.0556 |
| Middle | | 1 | 0 | 19.77 | 0.0948 | 17.94 | 0.0622 |
| Highest | | 1 | 0 | 19.90 | 0.0977 | 18.22 | 0.0664 |
| Limit | EIRP < 2W | | | Result | | PASS | |



<For IC>

| LTE Band 7 / 5MHz | | | | | | | |
|-------------------|------------|------|--------|------------|---------|-----------|---------|
| Channel | Modulation | RB | | Horizontal | | Vertical | |
| | | Size | Offset | EIRP(dBm) | EIRP(W) | EIRP(dBm) | EIRP(W) |
| Lowest | QPSK | 1 | 0 | 24.61 | 0.2891 | 23.13 | 0.2056 |
| Middle | | 1 | 0 | 24.81 | 0.3027 | 23.38 | 0.2178 |
| Highest | | 1 | 0 | 25.01 | 0.3170 | 23.64 | 0.2312 |
| Lowest | 16QAM | 1 | 0 | 23.94 | 0.2477 | 22.22 | 0.1667 |
| Middle | | 1 | 0 | 24.30 | 0.2692 | 22.52 | 0.1786 |
| Highest | | 1 | 0 | 24.92 | 0.3105 | 23.34 | 0.2158 |
| Limit | EIRP < 1W | | | Result | | PASS | |

| LTE Band 7 / 10MHz | | | | | | | |
|--------------------|------------|------|--------|------------|---------|-----------|---------|
| Channel | Modulation | RB | | Horizontal | | Vertical | |
| | | Size | Offset | EIRP(dBm) | EIRP(W) | EIRP(dBm) | EIRP(W) |
| Lowest | QPSK | 1 | 0 | 24.72 | 0.2965 | 23.00 | 0.1995 |
| Middle | | 1 | 0 | 24.95 | 0.3126 | 23.17 | 0.2075 |
| Highest | | 1 | 0 | 25.71 | 0.3724 | 23.97 | 0.2495 |
| Lowest | 16QAM | 1 | 0 | 23.94 | 0.2477 | 22.17 | 0.1648 |
| Middle | | 1 | 0 | 24.31 | 0.2698 | 22.52 | 0.1786 |
| Highest | | 1 | 0 | 24.68 | 0.2938 | 22.88 | 0.1941 |
| Limit | EIRP < 1W | | | Result | | PASS | |



| LTE Band 7 / 15MHz | | | | | | | |
|--------------------|------------|------|--------|------------|---------|-----------|---------|
| Channel | Modulation | RB | | Horizontal | | Vertical | |
| | | Size | Offset | EIRP(dBm) | EIRP(W) | EIRP(dBm) | EIRP(W) |
| Lowest | QPSK | 1 | 0 | 24.59 | 0.2877 | 22.89 | 0.1945 |
| Middle | | 1 | 0 | 25.13 | 0.3258 | 23.34 | 0.2158 |
| Highest | | 1 | 0 | 25.80 | 0.3802 | 24.11 | 0.2576 |
| Lowest | 16QAM | 1 | 0 | 24.53 | 0.2838 | 22.69 | 0.1858 |
| Middle | | 1 | 0 | 24.28 | 0.2679 | 22.51 | 0.1782 |
| Highest | | 1 | 0 | 23.71 | 0.2350 | 21.93 | 0.1560 |
| Limit | EIRP < 1W | | | Result | | PASS | |

| LTE Band 7 / 20MHz | | | | | | | |
|--------------------|------------|------|--------|------------|---------|-----------|---------|
| Channel | Modulation | RB | | Horizontal | | Vertical | |
| | | Size | Offset | EIRP(dBm) | EIRP(W) | EIRP(dBm) | EIRP(W) |
| Lowest | QPSK | 1 | 0 | 24.83 | 0.3041 | 22.42 | 0.1746 |
| Middle | | 1 | 0 | 25.35 | 0.3428 | 23.03 | 0.2009 |
| Highest | | 1 | 0 | 25.86 | 0.3855 | 23.61 | 0.2296 |
| Lowest | 16QAM | 1 | 0 | 24.35 | 0.2723 | 22.39 | 0.1734 |
| Middle | | 1 | 0 | 24.73 | 0.2972 | 22.84 | 0.1923 |
| Highest | | 1 | 0 | 24.98 | 0.3148 | 23.21 | 0.2094 |
| Limit | EIRP < 1W | | | Result | | PASS | |



| LTE Band 12 / 1.4MHz | | | | | | | |
|----------------------|------------|------|--------|------------|--------|----------|--------|
| Channel | Modulation | RB | | Horizontal | | Vertical | |
| | | Size | Offset | ERP(dBm) | ERP(W) | ERP(dBm) | ERP(W) |
| Lowest | QPSK | 1 | 2 | 13.57 | 0.0228 | -7.48 | 0.0002 |
| Middle | | 1 | 2 | 14.01 | 0.0252 | -7.22 | 0.0002 |
| Highest | | 1 | 2 | 14.27 | 0.0267 | -6.61 | 0.0002 |
| Lowest | 16QAM | 3 | 1 | 13.03 | 0.0201 | -8.11 | 0.0002 |
| Middle | | 3 | 1 | 13.34 | 0.0216 | -7.68 | 0.0002 |
| Highest | | 3 | 1 | 13.59 | 0.0229 | -6.56 | 0.0002 |
| Limit | ERP < 3W | | | Result | | PASS | |

| LTE Band 12 / 3MHz | | | | | | | |
|--------------------|------------|------|--------|------------|--------|----------|--------|
| Channel | Modulation | RB | | Horizontal | | Vertical | |
| | | Size | Offset | ERP(dBm) | ERP(W) | ERP(dBm) | ERP(W) |
| Lowest | QPSK | 1 | 14 | 13.4 | 0.0219 | -7.52 | 0.0002 |
| Middle | | 1 | 14 | 13.53 | 0.0225 | -7.72 | 0.0002 |
| Highest | | 1 | 14 | 14.18 | 0.0262 | -6.47 | 0.0002 |
| Lowest | 16QAM | 1 | 14 | 12.94 | 0.0197 | -8.03 | 0.0002 |
| Middle | | 1 | 14 | 12.94 | 0.0197 | -8.37 | 0.0001 |
| Highest | | 1 | 14 | 13.25 | 0.0211 | -7.42 | 0.0002 |
| Limit | ERP < 3W | | | Result | | PASS | |



| LTE Band 12 / 5MHz | | | | | | | |
|--------------------|------------|------|--------|------------|--------|----------|--------|
| Channel | Modulation | RB | | Horizontal | | Vertical | |
| | | Size | Offset | ERP(dBm) | ERP(W) | ERP(dBm) | ERP(W) |
| Lowest | QPSK | 1 | 12 | 13.57 | 0.0228 | -7.39 | 0.0002 |
| Middle | | 1 | 12 | 13.72 | 0.0236 | -7.25 | 0.0002 |
| Highest | | 1 | 12 | 13.88 | 0.0244 | -7.29 | 0.0002 |
| Lowest | 16QAM | 1 | 0 | 12.16 | 0.0164 | -8.76 | 0.0001 |
| Middle | | 1 | 0 | 13.08 | 0.0203 | -7.86 | 0.0002 |
| Highest | | 1 | 0 | 12.92 | 0.0196 | -7.83 | 0.0002 |
| Limit | ERP < 3W | | | Result | | PASS | |

| LTE Band 12 / 10MHz | | | | | | | |
|---------------------|------------|------|--------|------------|--------|----------|--------|
| Channel | Modulation | RB | | Horizontal | | Vertical | |
| | | Size | Offset | ERP(dBm) | ERP(W) | ERP(dBm) | ERP(W) |
| Lowest | QPSK | 1 | 0 | 13.07 | 0.0203 | -7.96 | 0.0002 |
| Middle | | 1 | 0 | 13.61 | 0.0230 | -7.32 | 0.0002 |
| Highest | | 1 | 0 | 14.19 | 0.0262 | -7.02 | 0.0002 |
| Lowest | 16QAM | 1 | 0 | 12.55 | 0.0180 | -8.35 | 0.0001 |
| Middle | | 1 | 0 | 12.55 | 0.0180 | -8.27 | 0.0001 |
| Highest | | 1 | 0 | 13.11 | 0.0205 | -8.08 | 0.0002 |
| Limit | ERP < 3W | | | Result | | PASS | |



<For IC>

| LTE Band 12 / 1.4MHz | | | | | | | |
|----------------------|------------|------|--------|------------|---------|-----------|---------|
| Channel | Modulation | RB | | Horizontal | | Vertical | |
| | | Size | Offset | EIRP(dBm) | EIRP(W) | EIRP(dBm) | EIRP(W) |
| Lowest | QPSK | 1 | 2 | 15.72 | 0.0373 | -5.33 | 0.0003 |
| Middle | | 1 | 2 | 16.16 | 0.0413 | -5.07 | 0.0003 |
| Highest | | 1 | 2 | 16.42 | 0.0439 | -4.46 | 0.0004 |
| Lowest | 16QAM | 3 | 1 | 15.18 | 0.0330 | -5.96 | 0.0003 |
| Middle | | 3 | 1 | 15.49 | 0.0354 | -5.53 | 0.0003 |
| Highest | | 3 | 1 | 15.74 | 0.0375 | -4.41 | 0.0004 |
| Limit | ERP < 3W | | | Result | | PASS | |

| LTE Band 12 / 3MHz | | | | | | | |
|--------------------|------------|------|--------|------------|---------|-----------|---------|
| Channel | Modulation | RB | | Horizontal | | Vertical | |
| | | Size | Offset | EIRP(dBm) | EIRP(W) | EIRP(dBm) | EIRP(W) |
| Lowest | QPSK | 1 | 14 | 15.55 | 0.0359 | -5.37 | 0.0003 |
| Middle | | 1 | 14 | 15.68 | 0.0370 | -5.57 | 0.0003 |
| Highest | | 1 | 14 | 16.33 | 0.0430 | -4.32 | 0.0004 |
| Lowest | 16QAM | 1 | 14 | 15.09 | 0.0323 | -5.88 | 0.0003 |
| Middle | | 1 | 14 | 15.09 | 0.0323 | -6.22 | 0.0002 |
| Highest | | 1 | 14 | 15.4 | 0.0347 | -5.27 | 0.0003 |
| Limit | ERP < 3W | | | Result | | PASS | |



| LTE Band 12 / 5MHz | | | | | | | |
|--------------------|------------|------|--------|------------|---------|-----------|---------|
| Channel | Modulation | RB | | Horizontal | | Vertical | |
| | | Size | Offset | EIRP(dBm) | EIRP(W) | EIRP(dBm) | EIRP(W) |
| Lowest | QPSK | 1 | 12 | 15.72 | 0.0373 | -5.24 | 0.0003 |
| Middle | | 1 | 12 | 15.87 | 0.0386 | -5.1 | 0.0003 |
| Highest | | 1 | 12 | 16.03 | 0.0401 | -5.14 | 0.0003 |
| Lowest | 16QAM | 1 | 0 | 14.31 | 0.0270 | -6.61 | 0.0002 |
| Middle | | 1 | 0 | 15.23 | 0.0333 | -5.71 | 0.0003 |
| Highest | | 1 | 0 | 15.07 | 0.0321 | -5.68 | 0.0003 |
| Limit | ERP < 3W | | | Result | | PASS | |

| LTE Band 12 / 10MHz | | | | | | | |
|---------------------|------------|------|--------|------------|---------|-----------|---------|
| Channel | Modulation | RB | | Horizontal | | Vertical | |
| | | Size | Offset | EIRP(dBm) | EIRP(W) | EIRP(dBm) | EIRP(W) |
| Lowest | QPSK | 1 | 0 | 15.22 | 0.0333 | -5.81 | 0.0003 |
| Middle | | 1 | 0 | 15.76 | 0.0377 | -5.17 | 0.0003 |
| Highest | | 1 | 0 | 16.34 | 0.0431 | -4.87 | 0.0003 |
| Lowest | 16QAM | 1 | 0 | 14.7 | 0.0295 | -6.2 | 0.0002 |
| Middle | | 1 | 0 | 14.7 | 0.0295 | -6.12 | 0.0002 |
| Highest | | 1 | 0 | 15.26 | 0.0336 | -5.93 | 0.0003 |
| Limit | ERP < 3W | | | Result | | PASS | |



| LTE Band 17 / 5MHz | | | | | | | |
|--------------------|------------|------|--------|------------|--------|----------|--------|
| Channel | Modulation | RB | | Horizontal | | Vertical | |
| | | Size | Offset | ERP(dBm) | ERP(W) | ERP(dBm) | ERP(W) |
| Lowest | QPSK | 1 | 12 | 13.97 | 0.0249 | -7.41 | 0.0002 |
| Middle | | 1 | 12 | 13.96 | 0.0249 | -7.62 | 0.0002 |
| Highest | | 1 | 12 | 14.36 | 0.0273 | -6.96 | 0.0002 |
| Lowest | 16QAM | 1 | 12 | 12.93 | 0.0196 | -7.68 | 0.0002 |
| Middle | | 1 | 12 | 13.04 | 0.0201 | -7.37 | 0.0002 |
| Highest | | 1 | 12 | 13.35 | 0.0216 | -7.01 | 0.0002 |
| Limit | ERP < 3W | | | Result | | PASS | |

| LTE Band 17 / 10MHz | | | | | | | |
|---------------------|------------|------|--------|------------|--------|----------|--------|
| Channel | Modulation | RB | | Horizontal | | Vertical | |
| | | Size | Offset | ERP(dBm) | ERP(W) | ERP(dBm) | ERP(W) |
| Lowest | QPSK | 1 | 0 | 14.02 | 0.0252 | -7.1 | 0.0002 |
| Middle | | 1 | 0 | 13.95 | 0.0248 | -7.31 | 0.0002 |
| Highest | | 1 | 0 | 13.95 | 0.0248 | -6.71 | 0.0002 |
| Lowest | 16QAM | 1 | 49 | 13.15 | 0.0207 | -7.17 | 0.0002 |
| Middle | | 1 | 49 | 13.39 | 0.0218 | -6.4 | 0.0002 |
| Highest | | 1 | 49 | 13.35 | 0.0216 | -6.57 | 0.0002 |
| Limit | ERP < 3W | | | Result | | PASS | |



<For IC>

| LTE Band 17 / 5MHz | | | | | | | |
|--------------------|------------|------|--------|------------|---------|-----------|---------|
| Channel | Modulation | RB | | Horizontal | | Vertical | |
| | | Size | Offset | EIRP(dBm) | EIRP(W) | EIRP(dBm) | EIRP(W) |
| Lowest | QPSK | 1 | 12 | 16.12 | 0.0409 | -5.26 | 0.0003 |
| Middle | | 1 | 12 | 16.11 | 0.0408 | -5.47 | 0.0003 |
| Highest | | 1 | 12 | 16.51 | 0.0448 | -4.81 | 0.0003 |
| Lowest | 16QAM | 1 | 12 | 15.08 | 0.0322 | -5.53 | 0.0003 |
| Middle | | 1 | 12 | 15.19 | 0.0330 | -5.22 | 0.0003 |
| Highest | | 1 | 12 | 15.5 | 0.0355 | -4.86 | 0.0003 |
| Limit | ERP < 3W | | | Result | | PASS | |

| LTE Band 17 / 10MHz | | | | | | | |
|---------------------|------------|------|--------|------------|---------|-----------|---------|
| Channel | Modulation | RB | | Horizontal | | Vertical | |
| | | Size | Offset | EIRP(dBm) | EIRP(W) | EIRP(dBm) | EIRP(W) |
| Lowest | QPSK | 1 | 0 | 16.17 | 0.0414 | -4.95 | 0.0003 |
| Middle | | 1 | 0 | 16.1 | 0.0407 | -5.16 | 0.0003 |
| Highest | | 1 | 0 | 16.1 | 0.0407 | -4.56 | 0.0003 |
| Lowest | 16QAM | 1 | 49 | 15.3 | 0.0339 | -5.02 | 0.0003 |
| Middle | | 1 | 49 | 15.54 | 0.0358 | -4.25 | 0.0004 |
| Highest | | 1 | 49 | 15.5 | 0.0355 | -4.42 | 0.0004 |
| Limit | ERP < 3W | | | Result | | PASS | |



Radiated Spurious Emission

| LTE Band 2 / 1.4MHz / QPSK / RB Size 1 Offset 0 | | | | | | | | | |
|---|-------------------|--------------|---------------|-------------------|-------------------|--------------------|----------------------|-----------------------|--------------------|
| Channel | Frequency (MHz) | EIRP (dBm) | Limit (dBm) | Over Limit (dB) | SPA Reading (dBm) | S.G. Power (dBm) | TX Cable loss (dB) | TX Antenna Gain (dBi) | Polarization (H/V) |
| Lowest | 3700 | -47.72 | -13 | -34.72 | -66.93 | -54.29 | 1.67 | 8.24 | H |
| | 5548 | -40.32 | -13 | -27.32 | -65.05 | -47.39 | 2.65 | 9.72 | H |
| | 7400 | -40.97 | -13 | -27.97 | -67.5 | -50.11 | 2.46 | 11.60 | H |
| | 3700 | -41.02 | -13 | -28.02 | -61.14 | -47.59 | 1.67 | 8.24 | V |
| | 5548 | -33.26 | -13 | -20.26 | -59.13 | -40.33 | 2.65 | 9.72 | V |
| | 7400 | -40.88 | -13 | -27.88 | -68.99 | -50.02 | 2.46 | 11.60 | V |
| Middle | 3759 | -44.39 | -13 | -31.39 | -63.73 | -51.02 | 1.69 | 8.31 | H |
| | 5639 | -38.03 | -13 | -25.03 | -62.72 | -45.08 | 2.71 | 9.76 | H |
| | 7517 | -42.72 | -13 | -29.72 | -69.81 | -52.11 | 2.42 | 11.81 | H |
| | 3759 | -37.76 | -13 | -24.76 | -57.96 | -44.39 | 1.69 | 8.31 | V |
| | 5639 | -32.03 | -13 | -19.03 | -57.77 | -39.08 | 2.71 | 9.76 | V |
| | 7517 | -36.42 | -13 | -23.42 | -65.18 | -45.81 | 2.42 | 11.81 | V |
| Highest | 3819 | -43.28 | -13 | -30.28 | -64.11 | -47.81 | 1.70 | 8.38 | H |
| | 5726 | -37.92 | -13 | -24.92 | -62.57 | -42.81 | 2.76 | 9.79 | H |
| | 7634 | -45.05 | -13 | -32.05 | -72.56 | -52.39 | 2.39 | 11.88 | H |
| | 3819 | -36.58 | -13 | -23.58 | -57.86 | -41.11 | 1.70 | 8.38 | V |
| | 5726 | -30.38 | -13 | -17.38 | -56.09 | -35.27 | 2.76 | 9.79 | V |
| | 7634 | -37.85 | -13 | -24.85 | -67 | -45.19 | 2.39 | 11.88 | V |

Remark: Spurious emissions within 30-1000MHz were found more than 20dB below limit line.



| LTE Band 2 / 3MHz / QPSK / RB Size 1 Offset 0 | | | | | | | | | |
|---|-------------------|--------------|---------------|-------------------|-------------------|--------------------|----------------------|-----------------------|--------------------|
| Channel | Frequency (MHz) | EIRP (dBm) | Limit (dBm) | Over Limit (dB) | SPA Reading (dBm) | S.G. Power (dBm) | TX Cable loss (dB) | TX Antenna Gain (dBi) | Polarization (H/V) |
| Lowest | 3700 | -48.24 | -13 | -35.24 | -67.26 | -54.81 | 1.67 | 8.24 | H |
| | 5550 | -39.95 | -13 | -26.95 | -65.58 | -47.02 | 2.65 | 9.72 | H |
| | 7400 | -41.57 | -13 | -28.57 | -68.06 | -50.71 | 2.46 | 11.60 | H |
| | 3700 | -41.64 | -13 | -28.64 | -61.78 | -48.21 | 1.67 | 8.24 | V |
| | 5550 | -34.01 | -13 | -21.01 | -59.88 | -41.08 | 2.65 | 9.72 | V |
| | 7400 | -40.52 | -13 | -27.52 | -68.51 | -49.66 | 2.46 | 11.60 | V |
| Middle | 3757 | -44.82 | -13 | -31.82 | -64.21 | -51.44 | 1.68 | 8.31 | H |
| | 5636 | -37.06 | -13 | -24.06 | -61.77 | -44.11 | 2.70 | 9.75 | H |
| | 7514 | -42.33 | -13 | -29.33 | -69.14 | -51.71 | 2.42 | 11.81 | H |
| | 3757 | -37.77 | -13 | -24.77 | -58.02 | -44.39 | 1.68 | 8.31 | V |
| | 5636 | -30.76 | -13 | -17.76 | -56.33 | -37.81 | 2.70 | 9.75 | V |
| | 7514 | -35.91 | -13 | -22.91 | -64.71 | -45.29 | 2.42 | 11.81 | V |
| Highest | 3812 | -43.29 | -13 | -30.29 | -64.06 | -47.81 | 1.70 | 8.37 | H |
| | 5721 | -38.62 | -13 | -25.62 | -63.51 | -43.51 | 2.75 | 9.79 | H |
| | 7628 | -45.43 | -13 | -32.43 | -72.78 | -52.77 | 2.39 | 11.88 | H |
| | 3812 | -36.67 | -13 | -23.67 | -57.82 | -41.19 | 1.70 | 8.37 | V |
| | 5721 | -31.43 | -13 | -18.43 | -57.12 | -36.32 | 2.75 | 9.79 | V |
| | 7628 | -37.47 | -13 | -24.47 | -66.32 | -44.81 | 2.39 | 11.88 | V |

Remark: Spurious emissions within 30-1000MHz were found more than 20dB below limit line.



| LTE Band 2 / 5MHz / QPSK / RB Size 1 Offset 0 | | | | | | | | | |
|---|-------------------|--------------|---------------|-------------------|-------------------|--------------------|----------------------|-----------------------|--------------------|
| Channel | Frequency (MHz) | EIRP (dBm) | Limit (dBm) | Over Limit (dB) | SPA Reading (dBm) | S.G. Power (dBm) | TX Cable loss (dB) | TX Antenna Gain (dBi) | Polarization (H/V) |
| Lowest | 3700 | -48.44 | -13 | -35.44 | -67.54 | -55.01 | 1.67 | 8.24 | H |
| | 5548 | -40.74 | -13 | -27.74 | -65.44 | -47.81 | 2.65 | 9.72 | H |
| | 7403 | -41.23 | -13 | -28.23 | -67.79 | -50.38 | 2.46 | 11.61 | H |
| | 3700 | -42.44 | -13 | -29.44 | -62.28 | -49.01 | 1.67 | 8.24 | V |
| | 5548 | -33.59 | -13 | -20.59 | -59.27 | -40.66 | 2.65 | 9.72 | V |
| | 7403 | -40.54 | -13 | -27.54 | -68.65 | -49.69 | 2.46 | 11.61 | V |
| Middle | 3756 | -49.41 | -13 | -36.41 | -68.52 | -56.03 | 1.68 | 8.31 | H |
| | 5636 | -42.76 | -13 | -29.76 | -67.32 | -49.81 | 2.70 | 9.75 | H |
| | 7508 | -48.43 | -13 | -35.43 | -75.05 | -57.81 | 2.43 | 11.80 | H |
| | 3756 | -42.49 | -13 | -29.49 | -62.82 | -49.11 | 1.68 | 8.31 | V |
| | 5636 | -36.03 | -13 | -23.03 | -61.87 | -43.08 | 2.70 | 9.75 | V |
| | 7508 | -42.43 | -13 | -29.43 | -71.09 | -51.81 | 2.43 | 11.80 | V |
| Highest | 3812 | -40.87 | -13 | -27.87 | -61.61 | -45.39 | 1.70 | 8.37 | H |
| | 5716 | -36.92 | -13 | -23.92 | -61.58 | -41.81 | 2.75 | 9.79 | H |
| | 7620 | -43.75 | -13 | -30.75 | -71.16 | -51.08 | 2.39 | 11.87 | H |
| | 3812 | -21.59 | -13 | -8.59 | -55.67 | -26.11 | 1.70 | 8.37 | V |
| | 5716 | -16.62 | -13 | -3.62 | -55.41 | -21.51 | 2.75 | 9.79 | V |
| | 7620 | -35.48 | -13 | -22.48 | -64.62 | -42.81 | 2.39 | 11.87 | V |

Remark: Spurious emissions within 30-1000MHz were found more than 20dB below limit line.



| LTE Band 2 / 10MHz / QPSK / RB Size 1 Offset 0 | | | | | | | | | |
|--|-------------------|--------------|---------------|-------------------|-------------------|--------------------|----------------------|-----------------------|--------------------|
| Channel | Frequency (MHz) | EIRP (dBm) | Limit (dBm) | Over Limit (dB) | SPA Reading (dBm) | S.G. Power (dBm) | TX Cable loss (dB) | TX Antenna Gain (dBi) | Polarization (H/V) |
| Lowest | 3700 | -46.62 | -13 | -33.62 | -65.79 | -53.19 | 1.67 | 8.24 | H |
| | 5548 | -40.74 | -13 | -27.74 | -65.43 | -47.81 | 2.65 | 9.72 | H |
| | 7403 | -42.51 | -13 | -29.51 | -68.81 | -51.66 | 2.46 | 11.61 | H |
| | 3700 | -40.54 | -13 | -27.54 | -60.71 | -47.11 | 1.67 | 8.24 | V |
| | 5548 | -33.01 | -13 | -20.01 | -58.78 | -40.08 | 2.65 | 9.72 | V |
| | 7403 | -41.07 | -13 | -28.07 | -69.35 | -50.22 | 2.46 | 11.61 | V |
| Middle | 3749 | -43.77 | -13 | -30.77 | -63.13 | -50.39 | 1.68 | 8.30 | H |
| | 5625 | -36.66 | -13 | -23.66 | -61.19 | -43.71 | 2.70 | 9.75 | H |
| | 7501 | -42.44 | -13 | -29.44 | -69.33 | -51.81 | 2.43 | 11.80 | H |
| | 3749 | -36.77 | -13 | -23.77 | -57.04 | -43.39 | 1.68 | 8.30 | V |
| | 5625 | -29.06 | -13 | -16.06 | -54.53 | -36.11 | 2.70 | 9.75 | V |
| | 7501 | -37.65 | -13 | -24.65 | -66.17 | -47.02 | 2.43 | 11.80 | V |
| Highest | 3798 | -42.51 | -13 | -29.51 | -63.17 | -47.02 | 1.70 | 8.36 | H |
| | 5702 | -40.82 | -13 | -27.82 | -65.52 | -45.71 | 2.74 | 9.78 | H |
| | 7599 | -45.08 | -13 | -32.08 | -72.63 | -52.39 | 2.40 | 11.86 | H |
| | 3798 | -35.60 | -13 | -22.60 | -56.75 | -40.11 | 1.70 | 8.36 | V |
| | 5702 | -31.40 | -13 | -18.40 | -57.12 | -36.29 | 2.74 | 9.78 | V |
| | 7599 | -35.74 | -13 | -22.74 | -64.92 | -43.05 | 2.40 | 11.86 | V |

Remark: Spurious emissions within 30-1000MHz were found more than 20dB below limit line.



| LTE Band 2 / 15MHz / QPSK / RB Size 1 Offset 0 | | | | | | | | | |
|--|-------------------|--------------|---------------|-------------------|-------------------|--------------------|----------------------|-----------------------|--------------------|
| Channel | Frequency (MHz) | EIRP (dBm) | Limit (dBm) | Over Limit (dB) | SPA Reading (dBm) | S.G. Power (dBm) | TX Cable loss (dB) | TX Antenna Gain (dBi) | Polarization (H/V) |
| Lowest | 3700 | -46.94 | -13 | -33.94 | -66.14 | -53.51 | 1.67 | 8.24 | H |
| | 5555 | -40.84 | -13 | -27.84 | -65.64 | -47.91 | 2.66 | 9.72 | H |
| | 7403 | -42.97 | -13 | -29.97 | -69.44 | -52.12 | 2.46 | 11.61 | H |
| | 3700 | -41.72 | -13 | -28.72 | -61.88 | -48.29 | 1.67 | 8.24 | V |
| | 5555 | -21.54 | -13 | -8.54 | -60.35 | -28.61 | 2.66 | 9.72 | V |
| | 7403 | -28.21 | -13 | -15.21 | -69.56 | -37.36 | 2.46 | 11.61 | V |
| Middle | 3742 | -41.98 | -13 | -28.98 | -61.29 | -48.59 | 1.68 | 8.29 | H |
| | 5618 | -38.03 | -13 | -25.03 | -62.82 | -45.08 | 2.69 | 9.75 | H |
| | 7490 | -42.34 | -13 | -29.34 | -68.97 | -51.69 | 2.43 | 11.78 | H |
| | 3742 | -36.78 | -13 | -23.78 | -57 | -43.39 | 1.68 | 8.29 | V |
| | 5618 | -30.97 | -13 | -17.97 | -56.5 | -38.02 | 2.69 | 9.75 | V |
| | 7490 | -37.76 | -13 | -24.76 | -65.99 | -47.11 | 2.43 | 11.78 | V |
| Highest | 3790 | -45.01 | -13 | -32.01 | -65.38 | -49.51 | 1.70 | 8.35 | H |
| | 5685 | -42.23 | -13 | -29.23 | -67.11 | -47.12 | 2.73 | 9.77 | H |
| | 7580 | -46.52 | -13 | -33.52 | -73.9 | -53.81 | 2.40 | 11.85 | H |
| | 3790 | -39.89 | -13 | -26.89 | -60.46 | -44.39 | 1.70 | 8.35 | V |
| | 5685 | -35.32 | -13 | -22.32 | -61.14 | -40.21 | 2.73 | 9.77 | V |
| | 7580 | -39.42 | -13 | -26.42 | -68.46 | -46.71 | 2.40 | 11.85 | V |

Remark: Spurious emissions within 30-1000MHz were found more than 20dB below limit line.



| LTE Band 2 / 20MHz / QPSK / RB Size 1 Offset 0 | | | | | | | | | |
|--|-------------------|--------------|---------------|-------------------|-------------------|--------------------|----------------------|-----------------------|--------------------|
| Channel | Frequency (MHz) | EIRP (dBm) | Limit (dBm) | Over Limit (dB) | SPA Reading (dBm) | S.G. Power (dBm) | TX Cable loss (dB) | TX Antenna Gain (dBi) | Polarization (H/V) |
| Lowest | 3700 | -46.48 | -13 | -33.48 | -65.67 | -53.05 | 1.67 | 8.24 | H |
| | 5555 | -39.94 | -13 | -26.94 | -64.64 | -47.01 | 2.66 | 9.72 | H |
| | 7403 | -41.56 | -13 | -28.56 | -67.84 | -50.71 | 2.46 | 11.61 | H |
| | 3700 | -40.44 | -13 | -27.44 | -60.49 | -47.01 | 1.67 | 8.24 | V |
| | 5555 | -33.74 | -13 | -20.74 | -59.4 | -40.81 | 2.66 | 9.72 | V |
| | 7403 | -41.56 | -13 | -28.56 | -69.64 | -50.71 | 2.46 | 11.61 | V |
| Middle | 3742 | -42.01 | -13 | -29.01 | -61.23 | -48.62 | 1.68 | 8.29 | H |
| | 5610 | -38.96 | -13 | -25.96 | -63.61 | -46.02 | 2.69 | 9.74 | H |
| | 7480 | -40.89 | -13 | -27.89 | -67.7 | -50.21 | 2.44 | 11.76 | H |
| | 3742 | -36.58 | -13 | -23.58 | -56.89 | -43.19 | 1.68 | 8.29 | V |
| | 5610 | -31.43 | -13 | -18.43 | -57.03 | -38.49 | 2.69 | 9.74 | V |
| | 7480 | -36.69 | -13 | -23.69 | -65.15 | -46.01 | 2.44 | 11.76 | V |
| Highest | 3777 | -47.84 | -13 | -34.84 | -68.19 | -52.33 | 1.69 | 8.33 | H |
| | 5670 | -39.61 | -13 | -26.61 | -64.39 | -44.51 | 2.72 | 9.77 | H |
| | 7560 | -47.53 | -13 | -34.53 | -74.73 | -54.81 | 2.41 | 11.84 | H |
| | 3777 | -41.42 | -13 | -28.42 | -62.29 | -45.91 | 1.69 | 8.33 | V |
| | 5670 | -32.99 | -13 | -19.99 | -58.79 | -37.89 | 2.72 | 9.77 | V |
| | 7560 | -40.05 | -13 | -27.05 | -69.03 | -47.33 | 2.41 | 11.84 | V |

Remark: Spurious emissions within 30-1000MHz were found more than 20dB below limit line.



| LTE Band 4 / 1.4MHz / QPSK / RB Size 1 Offset 0 | | | | | | | | | |
|---|-------------------|--------------|---------------|-------------------|-------------------|--------------------|----------------------|-----------------------|--------------------|
| Channel | Frequency (MHz) | EIRP (dBm) | Limit (dBm) | Over Limit (dB) | SPA Reading (dBm) | S.G. Power (dBm) | TX Cable loss (dB) | TX Antenna Gain (dBi) | Polarization (H/V) |
| Lowest | 3420 | -54.95 | -13 | -41.95 | -72.49 | -61.02 | 1.58 | 7.65 | H |
| | 5128 | -44.73 | -13 | -31.73 | -68.18 | -52.02 | 2.41 | 9.70 | H |
| | 6843 | -39.34 | -13 | -26.34 | -65.66 | -47.31 | 2.64 | 10.61 | H |
| | 3420 | -53.74 | -13 | -40.74 | -72.49 | -59.81 | 1.58 | 7.65 | V |
| | 5128 | -41.92 | -13 | -28.92 | -66.49 | -49.21 | 2.41 | 9.70 | V |
| | 6843 | -33.52 | -13 | -20.52 | -61 | -41.49 | 2.64 | 10.61 | V |
| Middle | 3462 | -51.78 | -13 | -38.78 | -69.41 | -58.02 | 1.59 | 7.83 | H |
| | 5198 | -46.56 | -13 | -33.56 | -69.93 | -53.81 | 2.45 | 9.70 | H |
| | 6927 | -34.82 | -13 | -21.82 | -60.89 | -42.92 | 2.61 | 10.71 | H |
| | 3462 | -49.57 | -13 | -36.57 | -68.21 | -55.81 | 1.59 | 7.83 | V |
| | 5198 | -39.96 | -13 | -26.96 | -64.48 | -47.21 | 2.45 | 9.70 | V |
| | 6927 | -30.51 | -13 | -17.51 | -57.71 | -38.61 | 2.61 | 10.71 | V |
| Highest | 3504 | -55.41 | -13 | -42.41 | -72.82 | -61.81 | 1.61 | 8.00 | H |
| | 5261 | -47.48 | -13 | -34.48 | -71.51 | -54.69 | 2.49 | 9.70 | H |
| | 7018 | -41.04 | -13 | -28.04 | -67.44 | -49.29 | 2.58 | 10.84 | H |
| | 3504 | -53.71 | -13 | -40.71 | -72.83 | -60.11 | 1.61 | 8.00 | V |
| | 5261 | -39.48 | -13 | -26.48 | -64.37 | -46.69 | 2.49 | 9.70 | V |
| | 7018 | -37.56 | -13 | -24.56 | -64.88 | -45.81 | 2.58 | 10.84 | V |

Remark: Spurious emissions within 30-1000MHz were found more than 20dB below limit line.



| LTE Band 4 / 3MHz / QPSK / RB Size 1 Offset 0 | | | | | | | | | |
|---|-------------------|--------------|---------------|-------------------|-------------------|--------------------|----------------------|-----------------------|--------------------|
| Channel | Frequency (MHz) | EIRP (dBm) | Limit (dBm) | Over Limit (dB) | SPA Reading (dBm) | S.G. Power (dBm) | TX Cable loss (dB) | TX Antenna Gain (dBi) | Polarization (H/V) |
| Lowest | 3420 | -54.95 | -13 | -41.95 | -72.43 | -61.02 | 1.58 | 7.65 | H |
| | 5128 | -46.12 | -13 | -33.12 | -69.62 | -53.41 | 2.41 | 9.70 | H |
| | 6843 | -27.02 | -13 | -14.02 | 66.32 | -34.99 | 2.64 | 10.61 | H |
| | 3420 | -53.01 | -13 | -40.01 | -72 | -59.08 | 1.58 | 7.65 | V |
| | 5128 | -41.82 | -13 | -28.82 | -66.38 | -49.11 | 2.41 | 9.70 | V |
| | 6843 | -33.95 | -13 | -20.95 | -61.5 | -41.92 | 2.64 | 10.61 | V |
| Middle | 3462 | -51.87 | -13 | -38.87 | -69.3 | -58.11 | 1.59 | 7.83 | H |
| | 5191 | -45.66 | -13 | -32.66 | -69.13 | -52.91 | 2.45 | 9.70 | H |
| | 6927 | -33.71 | -13 | -20.71 | -60.01 | -41.81 | 2.61 | 10.71 | H |
| | 3462 | -52.57 | -13 | -39.57 | -68.35 | -58.81 | 1.59 | 7.83 | V |
| | 5191 | -39.44 | -13 | -26.44 | -63.85 | -46.69 | 2.45 | 9.70 | V |
| | 6927 | -29.56 | -13 | -16.56 | -56.79 | -37.66 | 2.61 | 10.71 | V |
| Highest | 3504 | -55.41 | -13 | -42.41 | -72.98 | -61.81 | 1.61 | 8.00 | H |
| | 5254 | -47.17 | -13 | -34.17 | -71.39 | -54.39 | 2.48 | 9.70 | H |
| | 7011 | -40.78 | -13 | -27.78 | -67.07 | -49.02 | 2.59 | 10.82 | H |
| | 3504 | -53.09 | -13 | -40.09 | -72.16 | -59.49 | 1.61 | 8.00 | V |
| | 5254 | -37.49 | -13 | -24.49 | -62.26 | -44.71 | 2.48 | 9.70 | V |
| | 7011 | -38.15 | -13 | -25.15 | -65.39 | -46.39 | 2.59 | 10.82 | V |

Remark: Spurious emissions within 30-1000MHz were found more than 20dB below limit line.



| LTE Band 4 / 5MHz / QPSK / RB Size 1 Offset 0 | | | | | | | | | |
|---|-------------------|--------------|---------------|-------------------|-------------------|--------------------|----------------------|-----------------------|--------------------|
| Channel | Frequency (MHz) | EIRP (dBm) | Limit (dBm) | Over Limit (dB) | SPA Reading (dBm) | S.G. Power (dBm) | TX Cable loss (dB) | TX Antenna Gain (dBi) | Polarization (H/V) |
| Lowest | 3420 | -55.64 | -13 | -42.64 | -73.13 | -61.71 | 1.58 | 7.65 | H |
| | 5128 | -46.32 | -13 | -33.32 | -69.66 | -53.61 | 2.41 | 9.70 | H |
| | 6843 | -39.22 | -13 | -26.22 | -65.58 | -47.19 | 2.64 | 10.61 | H |
| | 3420 | -54.64 | -13 | -41.64 | -73.4 | -60.71 | 1.58 | 7.65 | V |
| | 5128 | -41.73 | -13 | -28.73 | -66.18 | -49.02 | 2.41 | 9.70 | V |
| | 6843 | -33.96 | -13 | -20.96 | -61.49 | -41.93 | 2.64 | 10.61 | V |
| Middle | 3462 | -51.05 | -13 | -38.05 | -68.7 | -57.29 | 1.59 | 7.83 | H |
| | 5191 | -45.56 | -13 | -32.56 | -68.91 | -52.81 | 2.45 | 9.70 | H |
| | 6920 | -34.27 | -13 | -21.27 | -60.49 | -42.36 | 2.62 | 10.70 | H |
| | 3462 | -49.15 | -13 | -36.15 | -68.11 | -55.39 | 1.59 | 7.83 | V |
| | 5191 | -39.56 | -13 | -26.56 | -64.11 | -46.81 | 2.45 | 9.70 | V |
| | 6920 | -29.93 | -13 | -16.93 | -57.39 | -38.02 | 2.62 | 10.70 | V |
| Highest | 3505 | -53.91 | -13 | -40.91 | -71.71 | -60.31 | 1.61 | 8.01 | H |
| | 5257.5 | -47.98 | -13 | -34.98 | -71.88 | -55.19 | 2.49 | 9.70 | H |
| | 7015 | -40.37 | -13 | -27.37 | -66.55 | -48.61 | 2.59 | 10.83 | H |
| | 3505 | -52.81 | -13 | -39.81 | -71.88 | -59.21 | 1.61 | 8.01 | V |
| | 5257.5 | -37.91 | -13 | -24.91 | -62.81 | -45.12 | 2.49 | 9.70 | V |
| | 7015 | -35.97 | -13 | -22.97 | -63.34 | -44.21 | 2.59 | 10.83 | V |

Remark: Spurious emissions within 30-1000MHz were found more than 20dB below limit line.



| LTE Band 4 / 10MHz / QPSK / RB Size 1 Offset 0 | | | | | | | | | |
|--|-------------------|--------------|---------------|-------------------|-------------------|--------------------|----------------------|-----------------------|--------------------|
| Channel | Frequency (MHz) | EIRP (dBm) | Limit (dBm) | Over Limit (dB) | SPA Reading (dBm) | S.G. Power (dBm) | TX Cable loss (dB) | TX Antenna Gain (dBi) | Polarization (H/V) |
| Lowest | 3420 | -57.82 | -13 | -44.82 | -74.81 | -63.89 | 1.58 | 7.65 | H |
| | 5128 | -46.38 | -13 | -33.38 | -69.25 | -53.67 | 2.41 | 9.70 | H |
| | 6843 | -40.76 | -13 | -27.76 | -66.76 | -48.73 | 2.64 | 10.61 | H |
| | 3420 | -54.84 | -13 | -41.84 | -73.16 | -60.91 | 1.58 | 7.65 | V |
| | 5128 | -40.82 | -13 | -27.82 | -64.66 | -48.11 | 2.41 | 9.70 | V |
| | 6843 | -36.85 | -13 | -23.85 | -63.9 | -44.82 | 2.64 | 10.61 | V |
| Middle | 3455 | -56.67 | -13 | -43.67 | -73.67 | -62.88 | 1.59 | 7.80 | H |
| | 5184 | -45.38 | -13 | -32.38 | -68.22 | -52.64 | 2.44 | 9.70 | H |
| | 6913 | -35.31 | -13 | -22.31 | -60.81 | -43.39 | 2.62 | 10.70 | H |
| | 3455 | -50.48 | -13 | -37.48 | -68.8 | -56.69 | 1.59 | 7.80 | V |
| | 5184 | -39.31 | -13 | -26.31 | -63.24 | -46.57 | 2.44 | 9.70 | V |
| | 6913 | -31.10 | -13 | -18.10 | -57.74 | -39.18 | 2.62 | 10.70 | V |
| Highest | 3490 | -56.47 | -13 | -43.47 | -73.64 | -62.82 | 1.60 | 7.96 | H |
| | 5233 | -44.71 | -13 | -31.71 | -68.01 | -51.94 | 2.47 | 9.70 | H |
| | 6983 | -35.36 | -13 | -22.36 | -60.98 | -43.54 | 2.60 | 10.78 | H |
| | 3490 | -51.44 | -13 | -38.44 | -69.95 | -57.79 | 1.60 | 7.96 | V |
| | 5233 | -36.74 | -13 | -23.74 | -61.02 | -43.97 | 2.47 | 9.70 | V |
| | 6983 | -34.01 | -13 | -21.01 | -60.69 | -42.19 | 2.60 | 10.78 | V |

Remark: Spurious emissions within 30-1000MHz were found more than 20dB below limit line.



| LTE Band 4 / 15MHz / QPSK / RB Size 1 Offset 0 | | | | | | | | | |
|--|-------------------|--------------|---------------|-------------------|-------------------|--------------------|----------------------|-----------------------|--------------------|
| Channel | Frequency (MHz) | EIRP (dBm) | Limit (dBm) | Over Limit (dB) | SPA Reading (dBm) | S.G. Power (dBm) | TX Cable loss (dB) | TX Antenna Gain (dBi) | Polarization (H/V) |
| Lowest | 3420 | -55.64 | -13 | -42.64 | -74.08 | -61.71 | 1.58 | 7.65 | H |
| | 5135 | -46.63 | -13 | -33.63 | -70.03 | -53.92 | 2.41 | 9.70 | H |
| | 6843 | -40.75 | -13 | -27.75 | -66.99 | -48.72 | 2.64 | 10.61 | H |
| | 3420 | -55.29 | -13 | -42.29 | -74.22 | -61.36 | 1.58 | 7.65 | V |
| | 5135 | -39.83 | -13 | -26.83 | -64.42 | -47.12 | 2.41 | 9.70 | V |
| | 6843 | -35.34 | -13 | -22.34 | -62.91 | -43.31 | 2.64 | 10.61 | V |
| Middle | 3448 | -52.84 | -13 | -39.84 | -70.51 | -59.02 | 1.59 | 7.77 | H |
| | 5177 | -47.55 | -13 | -34.55 | -70.94 | -54.81 | 2.44 | 9.70 | H |
| | 6906 | -33.19 | -13 | -20.19 | -59.5 | -41.26 | 2.62 | 10.69 | H |
| | 3448 | -52.84 | -13 | -39.84 | -71.7 | -59.02 | 1.59 | 7.77 | V |
| | 5177 | -40.82 | -13 | -27.82 | -65.33 | -48.08 | 2.44 | 9.70 | V |
| | 6906 | -29.22 | -13 | -16.22 | -56.71 | -37.29 | 2.62 | 10.69 | V |
| Highest | 3486 | -50.47 | -13 | -37.47 | -68.3 | -56.81 | 1.60 | 7.94 | H |
| | 5219 | -47.68 | -13 | -34.68 | -71.22 | -54.92 | 2.46 | 9.70 | H |
| | 6962 | -35.46 | -13 | -22.46 | -61.54 | -43.61 | 2.60 | 10.75 | H |
| | 3486 | -48.97 | -13 | -35.97 | -68 | -55.313 | 1.60 | 7.94 | V |
| | 5219 | -39.78 | -13 | -26.78 | -64.38 | -47.02 | 2.46 | 9.70 | V |
| | 6962 | -30.96 | -13 | -17.96 | -58.31 | -39.11 | 2.60 | 10.75 | V |

Remark: Spurious emissions within 30-1000MHz were found more than 20dB below limit line.



| LTE Band 4 / 20MHz / QPSK / RB Size 1 Offset 0 | | | | | | | | | |
|--|-------------------|--------------|---------------|-------------------|-------------------|--------------------|----------------------|-----------------------|--------------------|
| Channel | Frequency (MHz) | EIRP (dBm) | Limit (dBm) | Over Limit (dB) | SPA Reading (dBm) | S.G. Power (dBm) | TX Cable loss (dB) | TX Antenna Gain (dBi) | Polarization (H/V) |
| Lowest | 3420 | -56.64 | -13 | -43.64 | -74.13 | -62.71 | 1.58 | 7.65 | H |
| | 5135 | -44.42 | -13 | -31.42 | -67.8 | -51.71 | 2.41 | 9.70 | H |
| | 6843 | -40.82 | -13 | -27.82 | -67.17 | -48.79 | 2.64 | 10.61 | H |
| | 3420 | -56.34 | -13 | -43.34 | -75.16 | -62.41 | 1.58 | 7.65 | V |
| | 5135 | -40.92 | -13 | -27.92 | -65.52 | -48.21 | 2.41 | 9.70 | V |
| | 6843 | -35.58 | -13 | -22.58 | -63.03 | -43.55 | 2.64 | 10.61 | V |
| Middle | 3448 | -52.13 | -13 | -39.13 | -69.79 | -58.31 | 1.59 | 7.77 | H |
| | 5170 | -45.55 | -13 | -32.55 | -68.94 | -52.82 | 2.43 | 9.70 | H |
| | 6892 | -32.96 | -13 | -19.96 | -59.29 | -41.01 | 2.63 | 10.67 | H |
| | 3448 | -51.93 | -13 | -38.93 | -70.96 | -58.11 | 1.59 | 7.77 | V |
| | 5170 | -38.85 | -13 | -25.85 | -63.5 | -46.12 | 2.43 | 9.70 | V |
| | 6892 | -29.14 | -13 | -16.14 | -56.68 | -37.19 | 2.63 | 10.67 | V |
| Highest | 3469 | -53.84 | -13 | -40.84 | -71.57 | -60.11 | 1.59 | 7.86 | H |
| | 5205 | -45.37 | -13 | -32.37 | -68.83 | -52.61 | 2.46 | 9.70 | H |
| | 6941 | -34.69 | -13 | -21.69 | -61.01 | -42.81 | 2.61 | 10.73 | H |
| | 3469 | -53.34 | -13 | -40.34 | -72.32 | -59.61 | 1.59 | 7.86 | V |
| | 5205 | -40.17 | -13 | -27.17 | -64.73 | -47.41 | 2.46 | 9.70 | V |
| | 6941 | -29.29 | -13 | -16.29 | -56.67 | -37.41 | 2.61 | 10.73 | V |

Remark: Spurious emissions within 30-1000MHz were found more than 20dB below limit line.



| LTE Band 5 / 1.4MHz / QPSK / RB Size 1 Offset 0 | | | | | | | | | |
|---|-------------------|-------------|---------------|-------------------|-------------------|--------------------|----------------------|-----------------------|--------------------|
| Channel | Frequency (MHz) | ERP (dBm) | Limit (dBm) | Over Limit (dB) | SPA Reading (dBm) | S.G. Power (dBm) | TX Cable loss (dB) | TX Antenna Gain (dBi) | Polarization (H/V) |
| Lowest | 1648 | -57.20 | -13 | -44.20 | -67.81 | -58.96 | 0.98 | 4.89 | H |
| | 2472 | -55.90 | -13 | -42.90 | -71.86 | -57.78 | 1.28 | 5.32 | H |
| | 3296 | -55.22 | -13 | -42.22 | -72.18 | -58.63 | 1.54 | 7.10 | H |
| | 1648 | -53.95 | -13 | -40.95 | -65.62 | -55.71 | 0.98 | 4.89 | V |
| | 2472 | -55.01 | -13 | -42.01 | -72.44 | -56.89 | 1.28 | 5.32 | V |
| | 3296 | -54.45 | -13 | -41.45 | -72.97 | -57.86 | 1.54 | 7.10 | V |
| Middle | 1672 | -59.78 | -13 | -46.78 | -70.76 | -61.46 | 0.99 | 4.82 | H |
| | 2504 | -58.15 | -13 | -45.15 | -73.98 | -60.11 | 1.29 | 5.40 | H |
| | 3344 | -58.67 | -13 | -45.67 | -75.43 | -62.28 | 1.56 | 7.31 | H |
| | 1672 | -57.63 | -13 | -44.63 | -69.15 | -59.31 | 0.99 | 4.82 | V |
| | 2504 | -53.79 | -13 | -40.79 | -71.84 | -55.75 | 1.29 | 5.40 | V |
| | 3344 | -55.71 | -13 | -42.71 | -74.1 | -59.32 | 1.56 | 7.31 | V |
| Highest | 1696 | -59.79 | -13 | -46.79 | -71.18 | -61.39 | 1.00 | 4.75 | H |
| | 2544 | -58.36 | -13 | -45.36 | -75.07 | -60.34 | 1.30 | 5.44 | H |
| | 3392 | -59.01 | -13 | -46.01 | -75.92 | -62.81 | 1.57 | 7.52 | H |
| | 1696 | -58.58 | -13 | -45.58 | -70.59 | -60.18 | 1.00 | 4.75 | V |
| | 2544 | -54.97 | -13 | -41.97 | -72.95 | -56.95 | 1.30 | 5.44 | V |
| | 3392 | -56.35 | -13 | -43.35 | -75.07 | -60.15 | 1.57 | 7.52 | V |

Remark: Spurious emissions within 30-1000MHz were found more than 20dB below limit line.



| LTE Band 5 / 3MHz / QPSK / RB Size 1 Offset 0 | | | | | | | | | |
|---|-------------------|-------------|---------------|-------------------|-------------------|--------------------|----------------------|-----------------------|--------------------|
| Channel | Frequency (MHz) | ERP (dBm) | Limit (dBm) | Over Limit (dB) | SPA Reading (dBm) | S.G. Power (dBm) | TX Cable loss (dB) | TX Antenna Gain (dBi) | Polarization (H/V) |
| Lowest | 1648 | -56.85 | -13 | -43.85 | -67.46 | -58.61 | 0.98 | 4.89 | H |
| | 2472 | -54.11 | -13 | -41.11 | -70.43 | -55.99 | 1.28 | 5.32 | H |
| | 3296 | -56.70 | -13 | -43.70 | -73.54 | -60.11 | 1.54 | 7.10 | H |
| | 1648 | -52.18 | -13 | -39.18 | -63.85 | -53.94 | 0.98 | 4.89 | V |
| | 2472 | -52.33 | -13 | -39.33 | -69.62 | -54.21 | 1.28 | 5.32 | V |
| | 3296 | -53.98 | -13 | -40.98 | -72.5 | -57.39 | 1.54 | 7.10 | V |
| Middle | 1672 | -59.57 | -13 | -46.57 | -70.55 | -61.25 | 0.99 | 4.82 | H |
| | 2504 | -50.73 | -13 | -37.73 | -67.39 | -52.69 | 1.29 | 5.40 | H |
| | 3336 | -60.03 | -13 | -47.03 | -77.22 | -63.61 | 1.55 | 7.28 | H |
| | 1672 | -57.25 | -13 | -44.25 | -68.97 | -58.93 | 0.99 | 4.82 | V |
| | 2504 | -53.93 | -13 | -40.93 | -71.61 | -55.89 | 1.29 | 5.40 | V |
| | 3336 | -57.97 | -13 | -44.97 | -76.65 | -61.55 | 1.55 | 7.28 | V |
| Highest | 1688 | -62.91 | -13 | -49.91 | -73.53 | -64.54 | 1.00 | 4.77 | H |
| | 2536 | -54.68 | -13 | -41.68 | -70.93 | -56.66 | 1.30 | 5.43 | H |
| | 3384 | -56.82 | -13 | -43.82 | -74.33 | -60.59 | 1.57 | 7.49 | H |
| | 1688 | -58.19 | -13 | -45.19 | -69.98 | -59.82 | 1.00 | 4.77 | V |
| | 2536 | -52.80 | -13 | -39.80 | -70.97 | -54.78 | 1.30 | 5.43 | V |
| | 3384 | -53.64 | -13 | -40.64 | -72.15 | -57.41 | 1.57 | 7.49 | V |

Remark: Spurious emissions within 30-1000MHz were found more than 20dB below limit line.



| LTE Band 5 / 5MHz / QPSK / RB Size 1 Offset 0 | | | | | | | | | |
|---|-------------------|-------------|---------------|-------------------|-------------------|--------------------|----------------------|-----------------------|--------------------|
| Channel | Frequency (MHz) | ERP (dBm) | Limit (dBm) | Over Limit (dB) | SPA Reading (dBm) | S.G. Power (dBm) | TX Cable loss (dB) | TX Antenna Gain (dBi) | Polarization (H/V) |
| Lowest | 1648 | -56.64 | -13 | -43.64 | -67.85 | -58.4 | 0.98 | 4.89 | H |
| | 2472 | -50.92 | -13 | -37.92 | -67.3 | -52.8 | 1.28 | 5.32 | H |
| | 3296 | -55.79 | -13 | -42.79 | -73.18 | -59.2 | 1.54 | 7.10 | H |
| | 1648 | -54.14 | -13 | -41.14 | -66.3 | -55.9 | 0.98 | 4.89 | V |
| | 2472 | -52.02 | -13 | -39.02 | -69.96 | -53.9 | 1.28 | 5.32 | V |
| | 3296 | -54.19 | -13 | -41.19 | -73.15 | -57.6 | 1.54 | 7.10 | V |
| Middle | 1664 | -60.79 | -13 | -47.79 | -72.03 | -62.5 | 0.98 | 4.84 | H |
| | 2504 | -50.04 | -13 | -37.04 | -66.94 | -52 | 1.29 | 5.40 | H |
| | 3336 | -58.52 | -13 | -45.52 | -76.15 | -62.1 | 1.55 | 7.28 | H |
| | 1664 | -58.79 | -13 | -45.79 | -70.71 | -60.5 | 0.98 | 4.84 | V |
| | 2504 | -41.74 | -13 | -28.74 | -60.04 | -43.7 | 1.29 | 5.40 | V |
| | 3336 | -55.22 | -13 | -42.22 | -74.27 | -58.8 | 1.55 | 7.28 | V |
| Highest | 1688 | -62.17 | -13 | -49.17 | -73.24 | -63.8 | 1.00 | 4.77 | H |
| | 2536 | -54.72 | -13 | -41.72 | -71.56 | -56.7 | 1.30 | 5.43 | H |
| | 3376 | -56.36 | -13 | -43.36 | -73.91 | -60.1 | 1.57 | 7.45 | H |
| | 1688 | -57.97 | -13 | -44.97 | -70.32 | -59.6 | 1.00 | 4.77 | V |
| | 2536 | -50.22 | -13 | -37.22 | -68.3 | -52.2 | 1.30 | 5.43 | V |
| | 3376 | -52.16 | -13 | -39.16 | -71.18 | -55.9 | 1.57 | 7.45 | V |

Remark: Spurious emissions within 30-1000MHz were found more than 20dB below limit line.



| LTE Band 5 / 10MHz / QPSK / RB Size 1 Offset 0 | | | | | | | | | |
|--|-------------------|-------------|---------------|-------------------|-------------------|--------------------|----------------------|-----------------------|--------------------|
| Channel | Frequency (MHz) | ERP (dBm) | Limit (dBm) | Over Limit (dB) | SPA Reading (dBm) | S.G. Power (dBm) | TX Cable loss (dB) | TX Antenna Gain (dBi) | Polarization (H/V) |
| Lowest | 1648 | -56.44 | -13 | -43.44 | -67.81 | -58.2 | 0.98 | 4.89 | H |
| | 2472 | -54.52 | -13 | -41.52 | -71.3 | -56.4 | 1.28 | 5.32 | H |
| | 3296 | -56.19 | -13 | -43.19 | -73.62 | -59.6 | 1.54 | 7.10 | H |
| | 1648 | -53.74 | -13 | -40.74 | -65.88 | -55.5 | 0.98 | 4.89 | V |
| | 2472 | -51.32 | -13 | -38.32 | -69.45 | -53.2 | 1.28 | 5.32 | V |
| | 3296 | 59.81 | -13 | 72.81 | -72.07 | 56.4 | 1.54 | 7.10 | V |
| Middle | 1664 | -60.69 | -13 | -47.69 | -71.87 | -62.4 | 0.98 | 4.84 | H |
| | 2496 | -51.65 | -13 | -38.65 | -68.15 | -53.6 | 1.29 | 5.39 | H |
| | 3328 | -58.66 | -13 | -45.66 | -76.34 | -62.2 | 1.55 | 7.24 | H |
| | 1664 | -58.39 | -13 | -45.39 | -70.41 | -60.1 | 0.98 | 4.84 | V |
| | 2496 | -48.25 | -13 | -35.25 | -66.12 | -50.2 | 1.29 | 5.39 | V |
| | 3328 | -54.86 | -13 | -41.86 | -74 | -58.4 | 1.55 | 7.24 | V |
| Highest | 1680 | -58.55 | -13 | -45.55 | -70.07 | -60.2 | 0.99 | 4.80 | H |
| | 2520 | -53.93 | -13 | -40.93 | -70.85 | -55.9 | 1.30 | 5.42 | H |
| | 3360 | -57.03 | -13 | -44.03 | -74.68 | -60.7 | 1.56 | 7.38 | H |
| | 1680 | -55.45 | -13 | -42.45 | -67.56 | -57.1 | 0.99 | 4.80 | V |
| | 2520 | -47.53 | -13 | -34.53 | -65.69 | -49.5 | 1.30 | 5.42 | V |
| | 3360 | -54.43 | -13 | -41.43 | -73.55 | -58.1 | 1.56 | 7.38 | V |

Remark: Spurious emissions within 30-1000MHz were found more than 20dB below limit line.



| LTE Band 7 / 5MHz / QPSK / RB Size 1 Offset 0 | | | | | | | | | |
|---|-------------------|--------------|---------------|-------------------|-------------------|--------------------|----------------------|-----------------------|--------------------|
| Channel | Frequency (MHz) | EIRP (dBm) | Limit (dBm) | Over Limit (dB) | SPA Reading (dBm) | S.G. Power (dBm) | TX Cable loss (dB) | TX Antenna Gain (dBi) | Polarization (H/V) |
| Lowest | 5004 | -44.44 | -25 | -19.44 | -67.92 | -51.8 | 2.34 | 9.70 | H |
| | 7500 | -39.73 | -25 | -14.73 | -66.78 | -49.1 | 2.43 | 11.80 | H |
| | 9996 | -39.39 | -25 | -14.39 | -67.69 | -48.9 | 2.70 | 12.20 | H |
| | 5004 | -40.24 | -25 | -15.24 | -64.58 | -47.6 | 2.34 | 9.70 | V |
| | 7500 | -35.13 | -25 | -10.13 | -63.94 | -44.5 | 2.43 | 11.80 | V |
| | 9996 | -32.59 | -25 | -7.59 | -63.3 | -42.1 | 2.70 | 12.20 | V |
| Middle | 5064 | -44.47 | -25 | -19.47 | -68.24 | -51.8 | 2.37 | 9.70 | H |
| | 7596 | -40.04 | -25 | -15.04 | -67.9 | -49.5 | 2.40 | 11.86 | H |
| | 10128 | -43.24 | -25 | -18.24 | -71.79 | -52.8 | 2.70 | 12.25 | H |
| | 5064 | -37.77 | -25 | -12.77 | -62.45 | -45.1 | 2.37 | 9.70 | V |
| | 7596 | -36.64 | -25 | -11.64 | -66.08 | -46.1 | 2.40 | 11.86 | V |
| | 10128 | -34.54 | -25 | -9.54 | -65.59 | -44.1 | 2.70 | 12.25 | V |
| Highest | 5136 | -41.82 | -25 | -16.82 | -65.54 | -49.1 | 2.42 | 9.70 | H |
| | 7692 | 59.35 | -25 | 84.35 | -67.96 | 49.8 | 2.37 | 11.92 | H |
| | 10260 | -36.59 | -25 | -11.59 | -65.35 | -46.2 | 2.69 | 12.30 | H |
| | 5136 | -35.12 | -25 | -10.12 | -59.84 | -42.4 | 2.42 | 9.70 | V |
| | 7692 | -35.75 | -25 | -10.75 | -65.13 | -45.3 | 2.37 | 11.92 | V |
| | 10260 | -31.19 | -25 | -6.19 | -62.9 | -40.8 | 2.69 | 12.30 | V |

Remark: Spurious emissions within 30-1000MHz were found more than 20dB below limit line.



| LTE Band 7 / 10MHz / QPSK / RB Size 1 Offset 0 | | | | | | | | | |
|--|-------------------|--------------|---------------|-------------------|-------------------|--------------------|----------------------|-----------------------|--------------------|
| Channel | Frequency (MHz) | EIRP (dBm) | Limit (dBm) | Over Limit (dB) | SPA Reading (dBm) | S.G. Power (dBm) | TX Cable loss (dB) | TX Antenna Gain (dBi) | Polarization (H/V) |
| Lowest | 5004 | -43.34 | -25 | -18.34 | -67.11 | -50.7 | 2.34 | 9.70 | H |
| | 7500 | -38.03 | -25 | -13.03 | -65.18 | -47.4 | 2.43 | 11.80 | H |
| | 10008 | -38.09 | -25 | -13.09 | -66.26 | -47.6 | 2.70 | 12.20 | H |
| | 5004 | -38.14 | -25 | -13.14 | -62.89 | -45.5 | 2.34 | 9.70 | V |
| | 7500 | -30.33 | -25 | -5.33 | -59.13 | -39.7 | 2.43 | 11.80 | V |
| | 10008 | -33.69 | -25 | -8.69 | -63.94 | -43.2 | 2.70 | 12.20 | V |
| Middle | 5064 | -43.47 | -25 | -18.47 | -67.03 | -50.8 | 2.37 | 9.70 | H |
| | 7596 | -41.14 | -25 | -16.14 | -68.76 | -50.6 | 2.40 | 11.86 | H |
| | 10128 | -39.64 | -25 | -14.64 | -68.38 | -49.2 | 2.70 | 12.25 | H |
| | 5064 | -36.17 | -25 | -11.17 | -61.05 | -43.5 | 2.37 | 9.70 | V |
| | 7596 | -36.64 | -25 | -11.64 | -66.03 | -46.1 | 2.40 | 11.86 | V |
| | 10128 | -35.14 | -25 | -10.14 | -66.19 | -44.7 | 2.70 | 12.25 | V |
| Highest | 5124 | -46.21 | -25 | -21.21 | -69.87 | -53.5 | 2.41 | 9.70 | H |
| | 7680 | -40.66 | -25 | -15.66 | -68.21 | -50.2 | 2.37 | 11.91 | H |
| | 10248 | -34.60 | -25 | -9.60 | -63.54 | -44.2 | 2.69 | 12.30 | H |
| | 5124 | -40.51 | -25 | -15.51 | -65 | -47.8 | 2.41 | 9.70 | V |
| | 7680 | -37.96 | -25 | -12.96 | -67.34 | -47.5 | 2.37 | 11.91 | V |
| | 10248 | -32.20 | -25 | -7.20 | -63.61 | -41.8 | 2.69 | 12.30 | V |

Remark: Spurious emissions within 30-1000MHz were found more than 20dB below limit line.



| LTE Band 7 / 15MHz / QPSK / RB Size 1 Offset 0 | | | | | | | | | |
|--|-------------------|--------------|---------------|-------------------|-------------------|--------------------|----------------------|-----------------------|--------------------|
| Channel | Frequency (MHz) | EIRP (dBm) | Limit (dBm) | Over Limit (dB) | SPA Reading (dBm) | S.G. Power (dBm) | TX Cable loss (dB) | TX Antenna Gain (dBi) | Polarization (H/V) |
| Lowest | 5004 | -43.14 | -25 | -18.14 | -66.84 | -50.5 | 2.34 | 9.70 | H |
| | 7500 | -39.83 | -25 | -14.83 | -66.69 | -49.2 | 2.43 | 11.80 | H |
| | 10008 | -38.69 | -25 | -13.69 | -66.85 | -48.2 | 2.70 | 12.20 | H |
| | 5004 | -38.84 | -25 | -13.84 | -63.43 | -46.2 | 2.34 | 9.70 | V |
| | 7500 | -32.83 | -25 | -7.83 | -61.69 | -42.2 | 2.43 | 11.80 | V |
| | 10008 | -34.29 | -25 | -9.29 | -64.76 | -43.8 | 2.70 | 12.20 | V |
| Middle | 5052 | -44.77 | -25 | -19.77 | -68.34 | -52.1 | 2.37 | 9.70 | H |
| | 7584 | -41.65 | -25 | -16.65 | -69.22 | -51.1 | 2.40 | 11.85 | H |
| | 10116 | -41.05 | -25 | -16.05 | -69.31 | -50.6 | 2.70 | 12.25 | H |
| | 5052 | -37.87 | -25 | -12.87 | -62.42 | -45.2 | 2.37 | 9.70 | V |
| | 7584 | -34.75 | -25 | -9.75 | -64.01 | -44.2 | 2.40 | 11.85 | V |
| | 10116 | -35.65 | -25 | -10.65 | -66.82 | -45.2 | 2.70 | 12.25 | V |
| Highest | 5112 | -49.70 | -25 | -24.70 | -73.36 | -57 | 2.40 | 9.70 | H |
| | 7668 | -45.07 | -25 | -20.07 | -72.66 | -54.6 | 2.38 | 11.90 | H |
| | 10224 | -36.71 | -25 | -11.71 | -65.43 | -46.3 | 2.69 | 12.29 | H |
| | 5112 | -43.10 | -25 | -18.10 | -67.77 | -50.4 | 2.40 | 9.70 | V |
| | 7668 | -39.27 | -25 | -14.27 | -68.43 | -48.8 | 2.38 | 11.90 | V |
| | 10224 | -31.21 | -25 | -6.21 | -62.62 | -40.8 | 2.69 | 12.29 | V |

Remark: Spurious emissions within 30-1000MHz were found more than 20dB below limit line.



| LTE Band 7 / 20MHz / QPSK / RB Size 1 Offset 0 | | | | | | | | | |
|--|-------------------|--------------|---------------|-------------------|-------------------|--------------------|----------------------|-----------------------|--------------------|
| Channel | Frequency (MHz) | EIRP (dBm) | Limit (dBm) | Over Limit (dB) | SPA Reading (dBm) | S.G. Power (dBm) | TX Cable loss (dB) | TX Antenna Gain (dBi) | Polarization (H/V) |
| Lowest | 5004 | -43.24 | -25 | -18.24 | -66.73 | -50.6 | 2.34 | 9.70 | H |
| | 7500 | -39.13 | -25 | -14.13 | -66.11 | -48.5 | 2.43 | 11.80 | H |
| | 10008 | -39.19 | -25 | -14.19 | -67.03 | -48.7 | 2.70 | 12.20 | H |
| | 5004 | -39.44 | -25 | -14.44 | -63.88 | -46.8 | 2.34 | 9.70 | V |
| | 7500 | -32.03 | -25 | -7.03 | -60.64 | -41.4 | 2.43 | 11.80 | V |
| | 10008 | -33.89 | -25 | -8.89 | -64.52 | -43.4 | 2.70 | 12.20 | V |
| Middle | 5052 | -46.47 | -25 | -21.47 | -70.09 | -53.8 | 2.37 | 9.70 | H |
| | 7584 | -42.25 | -25 | -17.25 | -69.55 | -51.7 | 2.40 | 11.85 | H |
| | 10104 | -41.15 | -25 | -16.15 | -69.7 | -50.7 | 2.70 | 12.24 | H |
| | 5052 | -40.37 | -25 | -15.37 | -65 | -47.7 | 2.37 | 9.70 | V |
| | 7584 | -35.75 | -25 | -10.75 | -65.24 | -45.2 | 2.40 | 11.85 | V |
| | 10104 | -33.95 | -25 | -8.95 | -64.76 | -43.5 | 2.70 | 12.24 | V |
| Highest | 5100 | -45.49 | -25 | -20.49 | -69.45 | -52.8 | 2.39 | 9.70 | H |
| | 7656 | -44.39 | -25 | -19.39 | -71.94 | -53.9 | 2.38 | 11.89 | H |
| | 10200 | -36.72 | -25 | -11.72 | -65.26 | -46.3 | 2.70 | 12.28 | H |
| | 5100 | -39.79 | -25 | -14.79 | -64.36 | -47.1 | 2.39 | 9.70 | V |
| | 7656 | -39.69 | -25 | -14.69 | -69.22 | -49.2 | 2.38 | 11.89 | V |
| | 10200 | -31.22 | -25 | -6.22 | -62.04 | -40.8 | 2.70 | 12.28 | V |

Remark: Spurious emissions within 30-1000MHz were found more than 20dB below limit line.



| LTE Band 12 / 1.4MHz / 16QAM / RB Size 1 Offset 0 | | | | | | | | | |
|---|-------------------|-------------|---------------|-------------------|-------------------|--------------------|----------------------|-----------------------|--------------------|
| Channel | Frequency (MHz) | ERP (dBm) | Limit (dBm) | Over Limit (dB) | SPA Reading (dBm) | S.G. Power (dBm) | TX Cable loss (dB) | TX Antenna Gain (dBi) | Polarization (H/V) |
| Lowest | 1400 | -60.65 | -13.00 | -47.65 | -70.22 | -62.31 | 0.87 | 4.68 | H |
| | 2096 | -57.85 | -13.00 | -44.85 | -71.72 | -58.72 | 1.16 | 4.19 | H |
| | 2800 | -50.08 | -13.00 | -37.08 | -66.07 | -52.19 | 1.38 | 5.64 | H |
| | 1400 | -58.45 | -13.00 | -45.45 | -68.08 | -60.11 | 0.87 | 4.68 | V |
| | 2096 | -48.62 | -13.00 | -35.62 | -64.13 | -49.49 | 1.16 | 4.19 | V |
| | 2800 | -45.62 | -13.00 | -32.62 | -62.89 | -47.73 | 1.38 | 5.64 | V |
| Middle | 1416 | -56.89 | -13.00 | -43.89 | -66.77 | -58.64 | 0.87 | 4.78 | H |
| | 2120 | -54.97 | -13.00 | -41.97 | -68.89 | -55.91 | 1.17 | 4.26 | H |
| | 2824 | -44.77 | -13.00 | -31.77 | -60.90 | -46.89 | 1.39 | 5.66 | H |
| | 1416 | -54.78 | -13.00 | -41.78 | -64.54 | -56.53 | 0.87 | 4.78 | V |
| | 2120 | -44.81 | -13.00 | -31.81 | -59.73 | -45.75 | 1.17 | 4.26 | V |
| | 2824 | -39.57 | -13.00 | -26.57 | -56.89 | -41.69 | 1.39 | 5.66 | V |
| Highest | 1432 | -58.51 | -13.00 | -45.51 | -68.23 | -60.36 | 0.88 | 4.88 | H |
| | 2144 | -54.68 | -13.00 | -41.68 | -68.67 | -55.68 | 1.18 | 4.33 | H |
| | 2856 | -48.78 | -13.00 | -35.78 | -64.98 | -50.91 | 1.40 | 5.68 | H |
| | 1432 | -54.56 | -13.00 | -41.56 | -64.52 | -56.41 | 0.88 | 4.88 | V |
| | 2144 | -47.95 | -13.00 | -34.95 | -63.25 | -48.95 | 1.18 | 4.33 | V |
| | 2856 | -45.51 | -13.00 | -32.51 | -62.93 | -47.64 | 1.40 | 5.68 | V |

Remark: Spurious emissions within 30-1000MHz were found more than 20dB below limit line.



| LTE Band 12 / 3MHz / 16QAM / RB Size 1 Offset 0 | | | | | | | | | |
|---|-------------------|-------------|---------------|-------------------|-------------------|--------------------|----------------------|-----------------------|--------------------|
| Channel | Frequency (MHz) | ERP (dBm) | Limit (dBm) | Over Limit (dB) | SPA Reading (dBm) | S.G. Power (dBm) | TX Cable loss (dB) | TX Antenna Gain (dBi) | Polarization (H/V) |
| Lowest | 1400 | -59.71 | -13.00 | -46.71 | -69.48 | -61.37 | 0.87 | 4.68 | H |
| | 2096 | -57.64 | -13.00 | -44.64 | -71.30 | -58.51 | 1.16 | 4.19 | H |
| | 2800 | -50.40 | -13.00 | -37.40 | -66.48 | -52.51 | 1.38 | 5.64 | H |
| | 1400 | -57.82 | -13.00 | -44.82 | -67.67 | -59.48 | 0.87 | 4.68 | V |
| | 2096 | -48.54 | -13.00 | -35.54 | -63.78 | -49.41 | 1.16 | 4.19 | V |
| | 2800 | -45.23 | -13.00 | -32.23 | -62.50 | -47.34 | 1.38 | 5.64 | V |
| Middle | 1408 | -56.61 | -13.00 | -43.61 | -66.36 | -58.32 | 0.87 | 4.73 | H |
| | 2120 | -57.38 | -13.00 | -44.38 | -70.93 | -58.32 | 1.17 | 4.26 | H |
| | 2824 | -47.32 | -13.00 | -34.32 | -63.45 | -49.44 | 1.39 | 5.66 | H |
| | 1408 | -54.40 | -13.00 | -41.40 | -64.31 | -56.11 | 0.87 | 4.73 | V |
| | 2120 | -46.69 | -13.00 | -33.69 | -61.40 | -47.63 | 1.17 | 4.26 | V |
| | 2824 | -41.33 | -13.00 | -28.33 | -58.65 | -43.45 | 1.39 | 5.66 | V |
| Highest | 1424 | -62.41 | -13.00 | -49.41 | -71.85 | -64.21 | 0.88 | 4.83 | H |
| | 2136 | -57.63 | -13.00 | -44.63 | -71.10 | -58.61 | 1.18 | 4.31 | H |
| | 2856 | -52.76 | -13.00 | -39.76 | -69.96 | -54.89 | 1.40 | 5.68 | H |
| | 1424 | -59.59 | -13.00 | -46.59 | -69.35 | -61.39 | 0.88 | 4.83 | V |
| | 2136 | -50.84 | -13.00 | -37.84 | -65.99 | -51.82 | 1.18 | 4.31 | V |
| | 2856 | -48.66 | -13.00 | -35.66 | -65.99 | -50.79 | 1.40 | 5.68 | V |

Remark: Spurious emissions within 30-1000MHz were found more than 20dB below limit line.



| LTE Band 12 / 5MHz / 16QAM / RB Size 1 Offset 0 | | | | | | | | | |
|---|-------------------|-------------|---------------|-------------------|-------------------|--------------------|----------------------|-----------------------|--------------------|
| Channel | Frequency (MHz) | ERP (dBm) | Limit (dBm) | Over Limit (dB) | SPA Reading (dBm) | S.G. Power (dBm) | TX Cable loss (dB) | TX Antenna Gain (dBi) | Polarization (H/V) |
| Lowest | 1400 | -61.20 | -13.00 | -48.20 | -70.65 | -62.86 | 0.87 | 4.68 | H |
| | 2096 | -58.05 | -13.00 | -45.05 | -71.29 | -58.92 | 1.16 | 4.19 | H |
| | 2800 | -49.10 | -13.00 | -36.10 | -65.19 | -51.21 | 1.38 | 5.64 | H |
| | 1400 | -59.20 | -13.00 | -46.20 | -68.85 | -60.86 | 0.87 | 4.68 | V |
| | 2096 | -48.48 | -13.00 | -35.48 | -63.65 | -49.35 | 1.16 | 4.19 | V |
| | 2800 | -45.81 | -13.00 | -32.81 | -63.08 | -47.92 | 1.38 | 5.64 | V |
| Middle | 1408 | -58.65 | -13.00 | -45.65 | -68.19 | -60.36 | 0.87 | 4.73 | H |
| | 2112 | -57.69 | -13.00 | -44.69 | -71.20 | -58.61 | 1.17 | 4.24 | H |
| | 2824 | -47.67 | -13.00 | -34.67 | -63.80 | -49.79 | 1.39 | 5.66 | H |
| | 1408 | -55.82 | -13.00 | -42.82 | -65.73 | -57.53 | 0.87 | 4.73 | V |
| | 2112 | -47.57 | -13.00 | -34.57 | -62.71 | -48.49 | 1.17 | 4.24 | V |
| | 2824 | -42.01 | -13.00 | -29.01 | -59.23 | -44.13 | 1.39 | 5.66 | V |
| Highest | 1424 | -60.13 | -13.00 | -47.13 | -70.00 | -61.93 | 0.88 | 4.83 | H |
| | 2136 | -54.78 | -13.00 | -41.78 | -68.75 | -55.76 | 1.18 | 4.31 | H |
| | 2848 | -47.59 | -13.00 | -34.59 | -64.79 | -49.72 | 1.40 | 5.68 | H |
| | 1424 | -57.59 | -13.00 | -44.59 | -67.68 | -59.39 | 0.88 | 4.83 | V |
| | 2136 | -47.77 | -13.00 | -34.77 | -62.72 | -48.75 | 1.18 | 4.31 | V |
| | 2848 | -44.99 | -13.00 | -31.99 | -62.31 | -47.12 | 1.40 | 5.68 | V |

Remark: Spurious emissions within 30-1000MHz were found more than 20dB below limit line.



| LTE Band 12 / 10MHz / 16QAM / RB Size 1 Offset 0 | | | | | | | | | |
|--|-------------------|-------------|---------------|-------------------|-------------------|--------------------|----------------------|-----------------------|--------------------|
| Channel | Frequency (MHz) | ERP (dBm) | Limit (dBm) | Over Limit (dB) | SPA Reading (dBm) | S.G. Power (dBm) | TX Cable loss (dB) | TX Antenna Gain (dBi) | Polarization (H/V) |
| Lowest | 1400 | -60.62 | -13.00 | -47.62 | -70.39 | -62.28 | 0.87 | 4.68 | H |
| | 2096 | -58.46 | -13.00 | -45.46 | -72.00 | -59.33 | 1.16 | 4.19 | H |
| | 2800 | -50.38 | -13.00 | -37.38 | -66.47 | -52.49 | 1.38 | 5.64 | H |
| | 1400 | -58.75 | -13.00 | -45.75 | -68.60 | -60.41 | 0.87 | 4.68 | V |
| | 2096 | -49.72 | -13.00 | -36.72 | -65.23 | -50.59 | 1.16 | 4.19 | V |
| | 2800 | -45.60 | -13.00 | -32.60 | -62.86 | -47.71 | 1.38 | 5.64 | V |
| Middle | 1408 | -61.48 | -13.00 | -48.48 | -71.22 | -63.19 | 0.87 | 4.73 | H |
| | 2112 | -61.49 | -13.00 | -48.49 | -75.08 | -62.41 | 1.17 | 4.24 | H |
| | 2808 | -54.35 | -13.00 | -41.35 | -70.47 | -56.46 | 1.39 | 5.65 | H |
| | 1408 | -58.50 | -13.00 | -45.50 | -67.99 | -60.21 | 0.87 | 4.73 | V |
| | 2112 | -56.35 | -13.00 | -43.35 | -71.44 | -57.27 | 1.17 | 4.24 | V |
| | 2808 | -48.80 | -13.00 | -35.80 | -66.10 | -50.91 | 1.39 | 5.65 | V |
| Highest | 1416 | -39.48 | -13.00 | -26.48 | -44.38 | -41.23 | 0.87 | 4.78 | H |
| | 2120 | -26.54 | -13.00 | -13.54 | -35.60 | -27.48 | 1.17 | 4.26 | H |
| | 3536 | -48.40 | -13.00 | -35.40 | -61.63 | -52.68 | 1.62 | 8.04 | H |
| | 1416 | -51.11 | -13.00 | -38.11 | -56.01 | -52.86 | 0.87 | 4.78 | V |
| | 2120 | -33.30 | -13.00 | -20.30 | -43.38 | -34.24 | 1.17 | 4.26 | V |
| | 3536 | -50.06 | -13.00 | -37.06 | -64.10 | -54.34 | 1.62 | 8.04 | V |

Remark: Spurious emissions within 30-1000MHz were found more than 20dB below limit line.



| LTE Band 17 / 5MHz / QPSK / RB Size 1 Offset 0 | | | | | | | | | |
|--|-------------------|-------------|---------------|-------------------|-------------------|--------------------|----------------------|-----------------------|--------------------|
| Channel | Frequency (MHz) | ERP (dBm) | Limit (dBm) | Over Limit (dB) | SPA Reading (dBm) | S.G. Power (dBm) | TX Cable loss (dB) | TX Antenna Gain (dBi) | Polarization (H/V) |
| Lowest | 1408 | -58.83 | -13 | -45.83 | -68.67 | -60.54 | 0.87 | 4.73 | H |
| | 2112 | -58.86 | -13 | -45.86 | -72.47 | -59.78 | 1.17 | 4.24 | H |
| | 2816 | -48.24 | -13 | -35.24 | -64.36 | -50.35 | 1.39 | 5.65 | H |
| | 1408 | -57.68 | -13 | -44.68 | -67.59 | -59.39 | 0.87 | 4.73 | V |
| | 2112 | -52.00 | -13 | -39.00 | -66.97 | -52.92 | 1.17 | 4.24 | V |
| | 2816 | -43.33 | -13 | -30.33 | -60.64 | -45.44 | 1.39 | 5.65 | V |
| Middle | 1416 | -57.07 | -13 | -44.07 | -66.93 | -58.82 | 0.87 | 4.78 | H |
| | 2120 | -55.84 | -13 | -42.84 | -69.21 | -56.78 | 1.17 | 4.26 | H |
| | 2832 | -46.00 | -13 | -33.00 | -62.12 | -48.12 | 1.39 | 5.67 | H |
| | 1416 | -55.76 | -13 | -42.76 | -65.70 | -57.51 | 0.87 | 4.78 | V |
| | 2120 | -48.79 | -13 | -35.79 | -63.71 | -49.73 | 1.17 | 4.26 | V |
| | 3536 | -42.19 | -13 | -29.19 | -59.71 | -46.47 | 1.62 | 8.04 | V |
| Highest | 1424 | -60.51 | -13 | -47.51 | -70.48 | -62.31 | 0.88 | 4.83 | H |
| | 2136 | -57.14 | -13 | -44.14 | -70.43 | -58.12 | 1.18 | 4.31 | H |
| | 2848 | -50.40 | -13 | -37.40 | -66.60 | -52.53 | 1.40 | 5.68 | H |
| | 1424 | -60.52 | -13 | -47.52 | -70.38 | -62.32 | 0.88 | 4.83 | V |
| | 2136 | -50.76 | -13 | -37.76 | -66.45 | -51.74 | 1.18 | 4.31 | V |
| | 2848 | -46.53 | -13 | -33.53 | -63.95 | -48.66 | 1.40 | 5.68 | V |

Remark: Spurious emissions within 30-1000MHz were found more than 20dB below limit line.



| LTE Band 17 / 10MHz / QPSK / RB Size 1 Offset 0 | | | | | | | | | |
|---|-------------------|-------------|---------------|-------------------|-------------------|--------------------|----------------------|-----------------------|--------------------|
| Channel | Frequency (MHz) | ERP (dBm) | Limit (dBm) | Over Limit (dB) | SPA Reading (dBm) | S.G. Power (dBm) | TX Cable loss (dB) | TX Antenna Gain (dBi) | Polarization (H/V) |
| Lowest | 1408 | -58.62 | -13 | -45.62 | -68.46 | -60.33 | 0.87 | 4.73 | H |
| | 2112 | -58.89 | -13 | -45.89 | -72.30 | -59.81 | 1.17 | 4.24 | H |
| | 2816 | -47.71 | -13 | -34.71 | -63.83 | -49.82 | 1.39 | 5.65 | H |
| | 1408 | -58.23 | -13 | -45.23 | -67.74 | -59.94 | 0.87 | 4.73 | V |
| | 2112 | -52.29 | -13 | -39.29 | -67.32 | -53.21 | 1.17 | 4.24 | V |
| | 2816 | -42.61 | -13 | -29.61 | -59.92 | -44.72 | 1.39 | 5.65 | V |
| Middle | 1408 | -57.85 | -13 | -44.85 | -67.69 | -59.56 | 0.87 | 4.73 | H |
| | 2120 | -59.27 | -13 | -46.27 | -72.74 | -60.21 | 1.17 | 4.26 | H |
| | 2824 | -45.60 | -13 | -32.60 | -61.73 | -47.72 | 1.39 | 5.66 | H |
| | 1408 | -58.01 | -13 | -45.01 | -67.47 | -59.72 | 0.87 | 4.73 | V |
| | 2120 | -52.69 | -13 | -39.69 | -67.63 | -53.63 | 1.17 | 4.26 | V |
| | 2824 | -41.09 | -13 | -28.09 | -58.33 | -43.21 | 1.39 | 5.66 | V |
| Highest | 1416 | -57.47 | -13 | -44.47 | -66.95 | -59.22 | 0.87 | 4.78 | H |
| | 2120 | -58.01 | -13 | -45.01 | -71.47 | -58.95 | 1.17 | 4.26 | H |
| | 2824 | -44.69 | -13 | -31.69 | -60.81 | -46.81 | 1.39 | 5.66 | H |
| | 1416 | -56.01 | -13 | -43.01 | -65.96 | -57.76 | 0.87 | 4.78 | V |
| | 2120 | -50.00 | -13 | -37.00 | -65.22 | -50.94 | 1.17 | 4.26 | V |
| | 2824 | -40.60 | -13 | -27.60 | -57.92 | -42.72 | 1.39 | 5.66 | V |

Remark: Spurious emissions within 30-1000MHz were found more than 20dB below limit line.



<For IC>

| LTE Band 12 / 1.4MHz / 16QAM / RB Size 1 Offset 0 | | | | | | | | | |
|---|-------------------|--------------|---------------|-------------------|-------------------|--------------------|----------------------|-----------------------|--------------------|
| Channel | Frequency (MHz) | EIRP (dBm) | Limit (dBm) | Over Limit (dB) | SPA Reading (dBm) | S.G. Power (dBm) | TX Cable loss (dB) | TX Antenna Gain (dBi) | Polarization (H/V) |
| Lowest | 1400 | -58.50 | -13.00 | -45.50 | -70.22 | -62.31 | 0.87 | 4.68 | H |
| | 2096 | -55.70 | -13.00 | -42.70 | -71.72 | -58.72 | 1.16 | 4.19 | H |
| | 2800 | -47.93 | -13.00 | -34.93 | -66.07 | -52.19 | 1.38 | 5.64 | H |
| | 1400 | -56.30 | -13.00 | -43.30 | -68.08 | -60.11 | 0.87 | 4.68 | V |
| | 2096 | -46.47 | -13.00 | -33.47 | -64.13 | -49.49 | 1.16 | 4.19 | V |
| | 2800 | -43.47 | -13.00 | -30.47 | -62.89 | -47.73 | 1.38 | 5.64 | V |
| Middle | 1416 | -54.74 | -13.00 | -41.74 | -66.77 | -58.64 | 0.87 | 4.78 | H |
| | 2120 | -52.82 | -13.00 | -39.82 | -68.89 | -55.91 | 1.17 | 4.26 | H |
| | 2824 | -42.62 | -13.00 | -29.62 | -60.90 | -46.89 | 1.39 | 5.66 | H |
| | 1416 | -52.63 | -13.00 | -39.63 | -64.54 | -56.53 | 0.87 | 4.78 | V |
| | 2120 | -42.66 | -13.00 | -29.66 | -59.73 | -45.75 | 1.17 | 4.26 | V |
| | 2824 | -37.42 | -13.00 | -24.42 | -56.89 | -41.69 | 1.39 | 5.66 | V |
| Highest | 1432 | -56.36 | -13.00 | -43.36 | -68.23 | -60.36 | 0.88 | 4.88 | H |
| | 2144 | -52.53 | -13.00 | -39.53 | -68.67 | -55.68 | 1.18 | 4.33 | H |
| | 2856 | -46.63 | -13.00 | -33.63 | -64.98 | -50.91 | 1.40 | 5.68 | H |
| | 1432 | -52.41 | -13.00 | -39.41 | -64.52 | -56.41 | 0.88 | 4.88 | V |
| | 2144 | -45.80 | -13.00 | -32.80 | -63.25 | -48.95 | 1.18 | 4.33 | V |
| | 2856 | -43.36 | -13.00 | -30.36 | -62.93 | -47.64 | 1.40 | 5.68 | V |

Remark: Spurious emissions within 30-1000MHz were found more than 20dB below limit line.



| LTE Band 12 / 3MHz / 16QAM / RB Size 1 Offset 0 | | | | | | | | | |
|---|-------------------|--------------|---------------|-------------------|-------------------|--------------------|----------------------|-----------------------|--------------------|
| Channel | Frequency (MHz) | EIRP (dBm) | Limit (dBm) | Over Limit (dB) | SPA Reading (dBm) | S.G. Power (dBm) | TX Cable loss (dB) | TX Antenna Gain (dBi) | Polarization (H/V) |
| Lowest | 1400 | -57.56 | -13.00 | -44.56 | -69.48 | -61.37 | 0.87 | 4.68 | H |
| | 2096 | -55.49 | -13.00 | -42.49 | -71.30 | -58.51 | 1.16 | 4.19 | H |
| | 2800 | -48.25 | -13.00 | -35.25 | -66.48 | -52.51 | 1.38 | 5.64 | H |
| | 1400 | -55.67 | -13.00 | -42.67 | -67.67 | -59.48 | 0.87 | 4.68 | V |
| | 2096 | -46.39 | -13.00 | -33.39 | -63.78 | -49.41 | 1.16 | 4.19 | V |
| | 2800 | -43.08 | -13.00 | -30.08 | -62.50 | -47.34 | 1.38 | 5.64 | V |
| Middle | 1408 | -54.46 | -13.00 | -41.46 | -66.36 | -58.32 | 0.87 | 4.73 | H |
| | 2120 | -55.23 | -13.00 | -42.23 | -70.93 | -58.32 | 1.17 | 4.26 | H |
| | 2824 | -45.17 | -13.00 | -32.17 | -63.45 | -49.44 | 1.39 | 5.66 | H |
| | 1408 | -52.25 | -13.00 | -39.25 | -64.31 | -56.11 | 0.87 | 4.73 | V |
| | 2120 | -44.54 | -13.00 | -31.54 | -61.40 | -47.63 | 1.17 | 4.26 | V |
| | 2824 | -39.18 | -13.00 | -26.18 | -58.65 | -43.45 | 1.39 | 5.66 | V |
| Highest | 1424 | -60.26 | -13.00 | -47.26 | -71.85 | -64.21 | 0.88 | 4.83 | H |
| | 2136 | -55.48 | -13.00 | -42.48 | -71.10 | -58.61 | 1.18 | 4.31 | H |
| | 2856 | -50.61 | -13.00 | -37.61 | -69.96 | -54.89 | 1.40 | 5.68 | H |
| | 1424 | -57.44 | -13.00 | -44.44 | -69.35 | -61.39 | 0.88 | 4.83 | V |
| | 2136 | -48.69 | -13.00 | -35.69 | -65.99 | -51.82 | 1.18 | 4.31 | V |
| | 2856 | -46.51 | -13.00 | -33.51 | -65.99 | -50.79 | 1.40 | 5.68 | V |

Remark: Spurious emissions within 30-1000MHz were found more than 20dB below limit line.



| LTE Band 12 / 5MHz / 16QAM / RB Size 1 Offset 0 | | | | | | | | | |
|---|-------------------|--------------|---------------|-------------------|-------------------|--------------------|----------------------|-----------------------|--------------------|
| Channel | Frequency (MHz) | EIRP (dBm) | Limit (dBm) | Over Limit (dB) | SPA Reading (dBm) | S.G. Power (dBm) | TX Cable loss (dB) | TX Antenna Gain (dBi) | Polarization (H/V) |
| Lowest | 1400 | -59.05 | -13.00 | -46.05 | -70.65 | -62.86 | 0.87 | 4.68 | H |
| | 2096 | -55.90 | -13.00 | -42.90 | -71.29 | -58.92 | 1.16 | 4.19 | H |
| | 2800 | -46.95 | -13.00 | -33.95 | -65.19 | -51.21 | 1.38 | 5.64 | H |
| | 1400 | -57.05 | -13.00 | -44.05 | -68.85 | -60.86 | 0.87 | 4.68 | V |
| | 2096 | -46.33 | -13.00 | -33.33 | -63.65 | -49.35 | 1.16 | 4.19 | V |
| | 2800 | -43.66 | -13.00 | -30.66 | -63.08 | -47.92 | 1.38 | 5.64 | V |
| Middle | 1408 | -56.50 | -13.00 | -43.50 | -68.19 | -60.36 | 0.87 | 4.73 | H |
| | 2112 | -55.54 | -13.00 | -42.54 | -71.20 | -58.61 | 1.17 | 4.24 | H |
| | 2824 | -45.52 | -13.00 | -32.52 | -63.80 | -49.79 | 1.39 | 5.66 | H |
| | 1408 | -53.67 | -13.00 | -40.67 | -65.73 | -57.53 | 0.87 | 4.73 | V |
| | 2112 | -45.42 | -13.00 | -32.42 | -62.71 | -48.49 | 1.17 | 4.24 | V |
| | 2824 | -39.86 | -13.00 | -26.86 | -59.23 | -44.13 | 1.39 | 5.66 | V |
| Highest | 1424 | -57.98 | -13.00 | -44.98 | -70.00 | -61.93 | 0.88 | 4.83 | H |
| | 2136 | -52.63 | -13.00 | -39.63 | -68.75 | -55.76 | 1.18 | 4.31 | H |
| | 2848 | -45.44 | -13.00 | -32.44 | -64.79 | -49.72 | 1.40 | 5.68 | H |
| | 1424 | -55.44 | -13.00 | -42.44 | -67.68 | -59.39 | 0.88 | 4.83 | V |
| | 2136 | -45.62 | -13.00 | -32.62 | -62.72 | -48.75 | 1.18 | 4.31 | V |
| | 2848 | -42.84 | -13.00 | -29.84 | -62.31 | -47.12 | 1.40 | 5.68 | V |

Remark: Spurious emissions within 30-1000MHz were found more than 20dB below limit line.



| LTE Band 12 / 10MHz / 16QAM / RB Size 1 Offset 0 | | | | | | | | | |
|--|-------------------|--------------|---------------|-------------------|-------------------|--------------------|----------------------|-----------------------|--------------------|
| Channel | Frequency (MHz) | EIRP (dBm) | Limit (dBm) | Over Limit (dB) | SPA Reading (dBm) | S.G. Power (dBm) | TX Cable loss (dB) | TX Antenna Gain (dBi) | Polarization (H/V) |
| Lowest | 1400 | -58.47 | -13.00 | -45.47 | -70.39 | -62.28 | 0.87 | 4.68 | H |
| | 2096 | -56.31 | -13.00 | -43.31 | -72.00 | -59.33 | 1.16 | 4.19 | H |
| | 2800 | -48.23 | -13.00 | -35.23 | -66.47 | -52.49 | 1.38 | 5.64 | H |
| | 1400 | -56.60 | -13.00 | -43.60 | -68.60 | -60.41 | 0.87 | 4.68 | V |
| | 2096 | -47.57 | -13.00 | -34.57 | -65.23 | -50.59 | 1.16 | 4.19 | V |
| | 2800 | -43.45 | -13.00 | -30.45 | -62.86 | -47.71 | 1.38 | 5.64 | V |
| Middle | 1408 | -59.33 | -13.00 | -46.33 | -71.22 | -63.19 | 0.87 | 4.73 | H |
| | 2112 | -59.34 | -13.00 | -46.34 | -75.08 | -62.41 | 1.17 | 4.24 | H |
| | 2808 | -52.20 | -13.00 | -39.20 | -70.47 | -56.46 | 1.39 | 5.65 | H |
| | 1408 | -56.35 | -13.00 | -43.35 | -67.99 | -60.21 | 0.87 | 4.73 | V |
| | 2112 | -54.20 | -13.00 | -41.20 | -71.44 | -57.27 | 1.17 | 4.24 | V |
| | 2808 | -46.65 | -13.00 | -33.65 | -66.10 | -50.91 | 1.39 | 5.65 | V |
| Highest | 1416 | -37.33 | -13.00 | -24.33 | -44.38 | -41.23 | 0.87 | 4.78 | H |
| | 2120 | -24.39 | -13.00 | -11.39 | -35.60 | -27.48 | 1.17 | 4.26 | H |
| | 3536 | -46.25 | -13.00 | -33.25 | -61.63 | -52.68 | 1.62 | 8.04 | H |
| | 1416 | -48.96 | -13.00 | -35.96 | -56.01 | -52.86 | 0.87 | 4.78 | V |
| | 2120 | -31.15 | -13.00 | -18.15 | -43.38 | -34.24 | 1.17 | 4.26 | V |
| | 3536 | -47.91 | -13.00 | -34.91 | -64.10 | -54.34 | 1.62 | 8.04 | V |

Remark: Spurious emissions within 30-1000MHz were found more than 20dB below limit line.



<For IC>

| LTE Band 17 / 5MHz / QPSK / RB Size 1 Offset 0 | | | | | | | | | |
|--|-------------------|--------------|---------------|-------------------|-------------------|--------------------|----------------------|-----------------------|--------------------|
| Channel | Frequency (MHz) | EIRP (dBm) | Limit (dBm) | Over Limit (dB) | SPA Reading (dBm) | S.G. Power (dBm) | TX Cable loss (dB) | TX Antenna Gain (dBi) | Polarization (H/V) |
| Lowest | 1408 | -56.68 | -13 | -43.68 | -68.67 | -60.54 | 0.87 | 4.73 | H |
| | 2112 | -56.71 | -13 | -43.71 | -72.47 | -59.78 | 1.17 | 4.24 | H |
| | 2816 | -46.09 | -13 | -33.09 | -64.36 | -50.35 | 1.39 | 5.65 | H |
| | 1408 | -55.53 | -13 | -42.53 | -67.59 | -59.39 | 0.87 | 4.73 | V |
| | 2112 | -49.85 | -13 | -36.85 | -66.97 | -52.92 | 1.17 | 4.24 | V |
| | 2816 | -41.18 | -13 | -28.18 | -60.64 | -45.44 | 1.39 | 5.65 | V |
| Middle | 1416 | -54.92 | -13 | -41.92 | -66.93 | -58.82 | 0.87 | 4.78 | H |
| | 2120 | -53.69 | -13 | -40.69 | -69.21 | -56.78 | 1.17 | 4.26 | H |
| | 2832 | -43.85 | -13 | -30.85 | -62.12 | -48.12 | 1.39 | 5.67 | H |
| | 1416 | -55.76 | -13 | -42.76 | -65.70 | -57.51 | 0.87 | 4.78 | V |
| | 2120 | -48.79 | -13 | -35.79 | -63.71 | -49.73 | 1.17 | 4.26 | V |
| | 3536 | -42.19 | -13 | -29.19 | -59.71 | -46.47 | 1.62 | 8.04 | V |
| Highest | 1424 | -58.36 | -13 | -45.36 | -70.48 | -62.31 | 0.88 | 4.83 | H |
| | 2136 | -54.99 | -13 | -41.99 | -70.43 | -58.12 | 1.18 | 4.31 | H |
| | 2848 | -48.25 | -13 | -35.25 | -66.60 | -52.53 | 1.40 | 5.68 | H |
| | 1424 | -58.37 | -13 | -45.37 | -70.38 | -62.32 | 0.88 | 4.83 | V |
| | 2136 | -48.61 | -13 | -35.61 | -66.45 | -51.74 | 1.18 | 4.31 | V |
| | 2848 | -44.38 | -13 | -31.38 | -63.95 | -48.66 | 1.40 | 5.68 | V |



| LTE Band 17 / 10MHz / QPSK / RB Size 1 Offset 0 | | | | | | | | | |
|---|-------------------|--------------|---------------|-------------------|-------------------|--------------------|----------------------|-----------------------|--------------------|
| Channel | Frequency (MHz) | EIRP (dBm) | Limit (dBm) | Over Limit (dB) | SPA Reading (dBm) | S.G. Power (dBm) | TX Cable loss (dB) | TX Antenna Gain (dBi) | Polarization (H/V) |
| Lowest | 1408 | -56.47 | -13 | -43.47 | -68.46 | -60.33 | 0.87 | 4.73 | H |
| | 2112 | -56.74 | -13 | -43.74 | -72.30 | -59.81 | 1.17 | 4.24 | H |
| | 2816 | -45.56 | -13 | -32.56 | -63.83 | -49.82 | 1.39 | 5.65 | H |
| | 1408 | -56.08 | -13 | -43.08 | -67.74 | -59.94 | 0.87 | 4.73 | V |
| | 2112 | -50.14 | -13 | -37.14 | -67.32 | -53.21 | 1.17 | 4.24 | V |
| | 2816 | -40.46 | -13 | -27.46 | -59.92 | -44.72 | 1.39 | 5.65 | V |
| Middle | 1408 | -55.70 | -13 | -42.70 | -67.69 | -59.56 | 0.87 | 4.73 | H |
| | 2120 | -57.12 | -13 | -44.12 | -72.74 | -60.21 | 1.17 | 4.26 | H |
| | 2824 | -43.45 | -13 | -30.45 | -61.73 | -47.72 | 1.39 | 5.66 | H |
| | 1408 | -55.86 | -13 | -42.86 | -67.47 | -59.72 | 0.87 | 4.73 | V |
| | 2120 | -50.54 | -13 | -37.54 | -67.63 | -53.63 | 1.17 | 4.26 | V |
| | 2824 | -38.94 | -13 | -25.94 | -58.33 | -43.21 | 1.39 | 5.66 | V |
| Highest | 1416 | -55.32 | -13 | -42.32 | -66.95 | -59.22 | 0.87 | 4.78 | H |
| | 2120 | -55.86 | -13 | -42.86 | -71.47 | -58.95 | 1.17 | 4.26 | H |
| | 2824 | -42.54 | -13 | -29.54 | -60.81 | -46.81 | 1.39 | 5.66 | H |
| | 1416 | -53.86 | -13 | -40.86 | -65.96 | -57.76 | 0.87 | 4.78 | V |
| | 2120 | -47.85 | -13 | -34.85 | -65.22 | -50.94 | 1.17 | 4.26 | V |
| | 2824 | -38.45 | -13 | -25.45 | -57.92 | -42.72 | 1.39 | 5.66 | V |

Remark: Spurious emissions within 30-1000MHz were found more than 20dB below limit line.