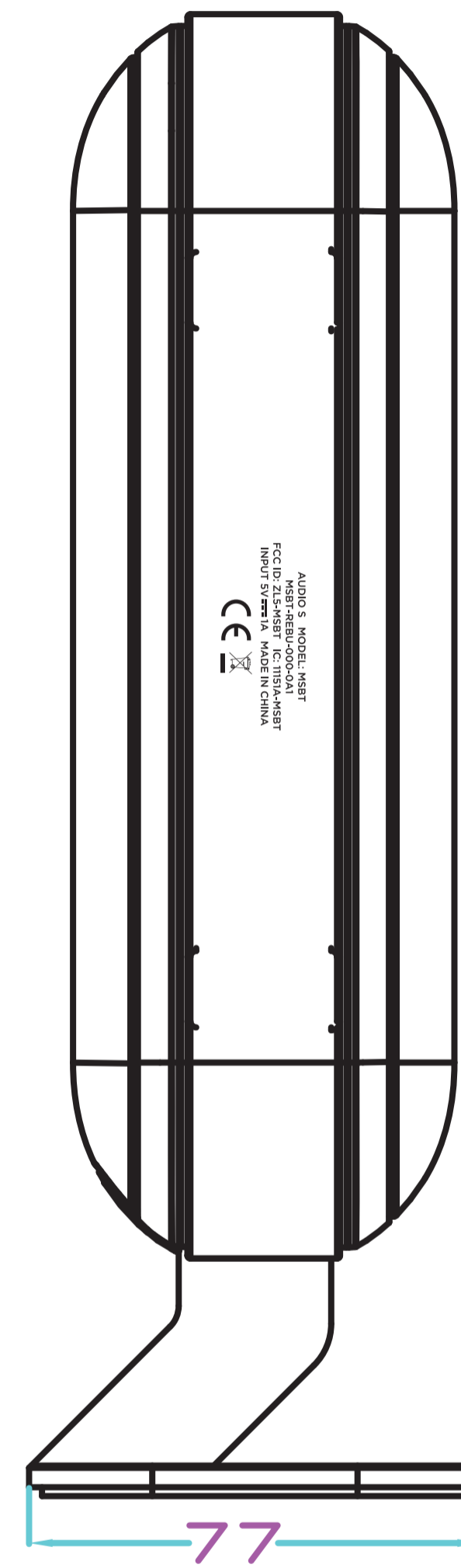


Printed Graphics = Pantone Cool Gray 9C

Note: 1.The scale is 1:1.
2.Unit:mm



UNLESS OTHERWISE SPECIFIED UNIT : mm TOLERANCE : L:0.100 ±0.5 100<L<400 ±1 400<L<1000 ±1.5 1000<L ±2		ANGLE : 3 RD		
MODEL SKU1	SCALE	SIZE A4		
MATERIAL (COLOR)	TREATMENT / FINISH (COLOR)	A1		
DESCRIPTION	ITEM	DATE	RELEASE DESCRIPTION	SIGN.
Middle housing SKU1 color 1797C Matte+silkscreen ROHS REACH	A0	2015-08-03	First Release	
PART NO. P02-00242-01	DRAWN BY 李义权	CHECKED BY 饶俊刚	APPROVED BY 徐德伟	
Plastoforn Electronic (Shenzhen) Company Limited	SHEET 1/1	VER A0		
Part should be fulfill the banned and restricted substances requirement which specific I in ESPP- 3001				