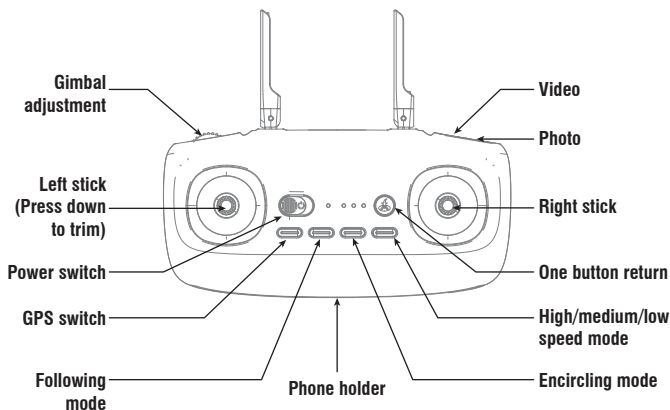


# M/N: UA23

## Transmitter



## Key Function

<b>Left stick</b>	To control the drone up / down / turn left / turn right.
<b>Right stick</b>	To control the drone forward / backward / left side flying / right side flying.
<b>Power switch</b>	Push power switch to right and turn on the transmitter, turn off when return.
<b>Gimbal Adjustment Key</b>	Slide the key to adjust the camera angle up and down.
<b>GPS switch</b>	Click press the key to turn on/off the function of GPS.
<b>The following key</b>	Click the key to enter following function, click again to exit.
<b>Encircling key</b>	Click the key to enter encircling function, click again to exit.
<b>High / middle / low speed</b>	Short press the key to have the switch of high/ middle/low speed mode.
<b>One key return</b>	When GPS mode, click this button, then the drone starts to return. During returning and click this button again to exit from returning.
<b>Photo</b>	Click this button, it takes a photo. Click this button constantly, it takes several photos.
<b>Video</b>	Click this button once, it starts to record, and click again to exit.
<b>Trimmer mode key</b>	Press down the key, pull the stick to the direction that needs trimming, then it can turn to the direction you want. Release to exit.

## FCC Note

This equipment has been tested and found to comply with the limits for a Class B digital device, pursuant to Part 15 of the FCC Rules. These limits are designed to provide reasonable protection against harmful interference in a residential installation. This equipment generates uses and can radiate radio frequency energy and, if not installed and used in accordance with the instructions, may cause harmful interference to radio communications. However, there is no guarantee that interference will not occur in a particular installation. If this equipment does cause harmful interference to radio or television reception, which can be determined by turning the equipment off and on, the user is encouraged to try to correct the interference by one or more of the following measures:

- Reorient or relocate the receiving antenna.
- Increase the separation between the equipment and receiver.
- Connect the equipment into an outlet on a circuit different from that to which the receiver is connected.

**WARNING: Changes or modifications not expressly approved by the party responsible for compliance could void the user's authority to operate the equipment.**

## FCC Notice:

The equipment may generate or use radio frequency energy. Changes or modifications to this equipment may cause harmful interference unless the modifications are expressly approved in the instruction manual. Modifications not authorized by the manufacturer may void user's authority to operate this device.

This device complies with Part 15 of the FCC Rules. Operation is subject to the following two conditions:

- (1) This device may not cause harmful interference.
- (2) This device must accept any interference received, including interference that may cause undesired operation.

## FCC Radiation Exposure Statement

The device has been evaluated to meet general RF exposure requirement. The device can be used in portable exposure condition without restriction.



**MADE IN CHINA**