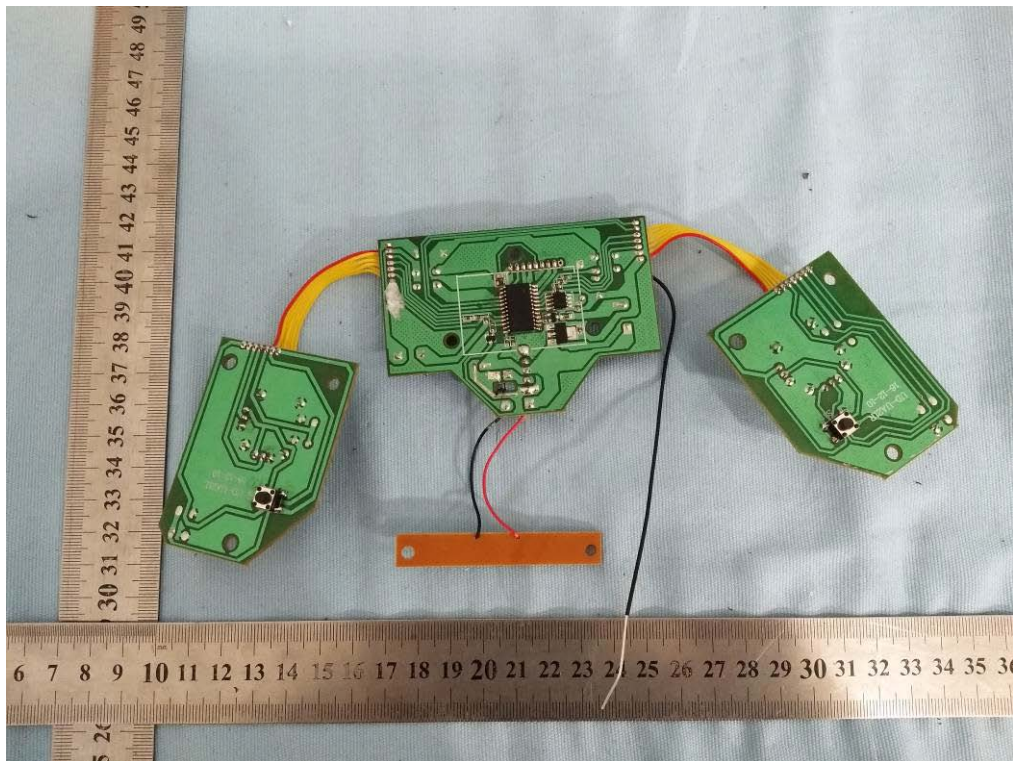
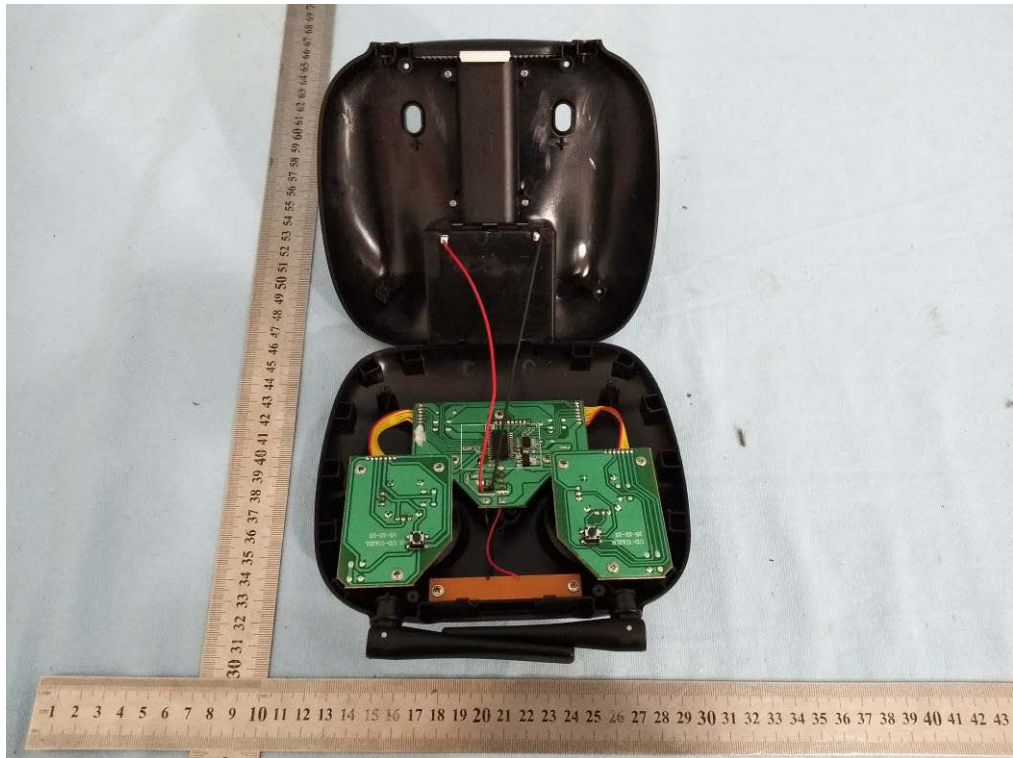
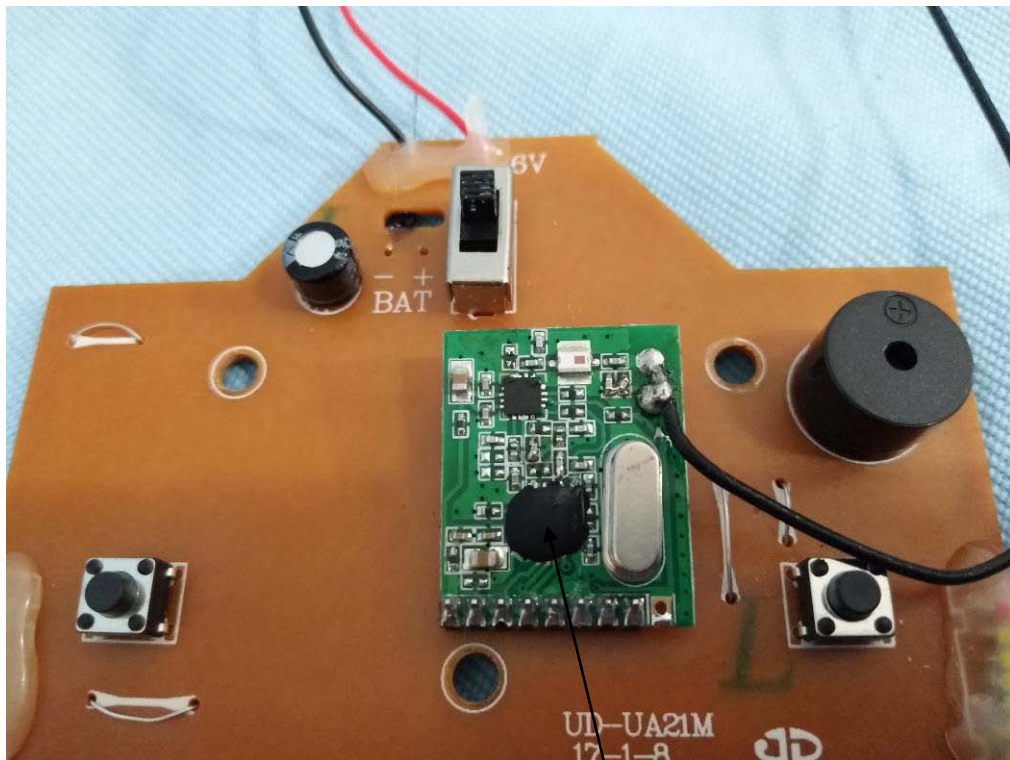
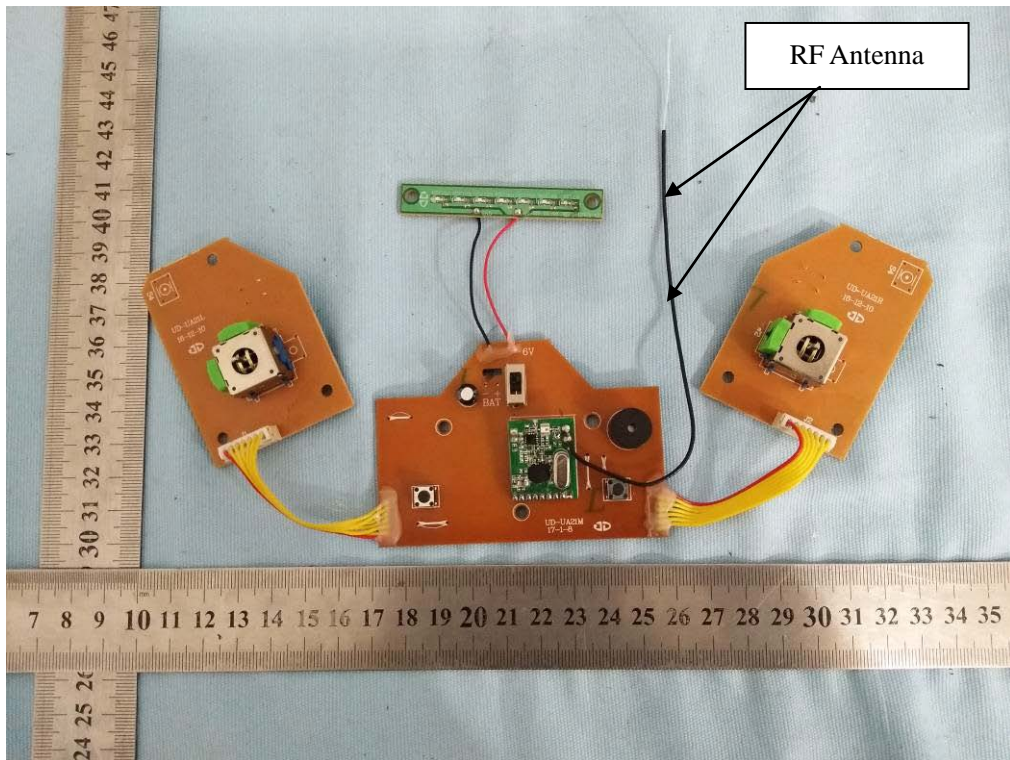


Internal photo





RF Chip