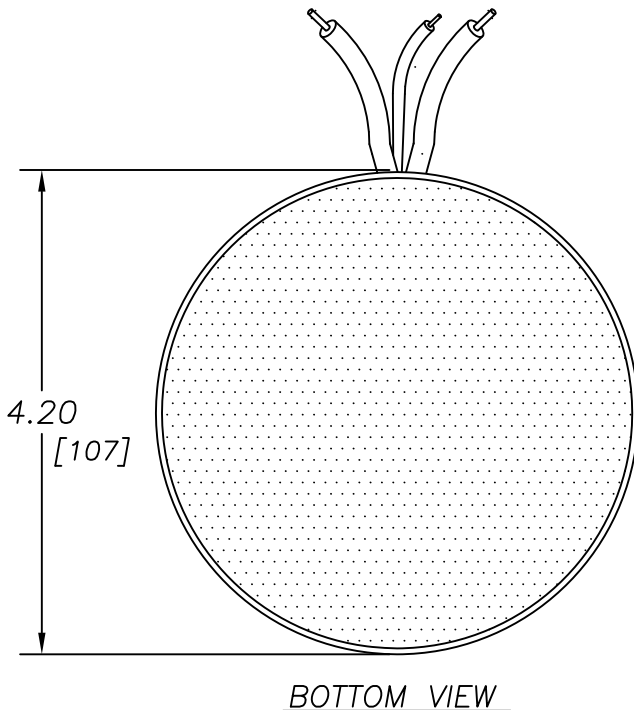
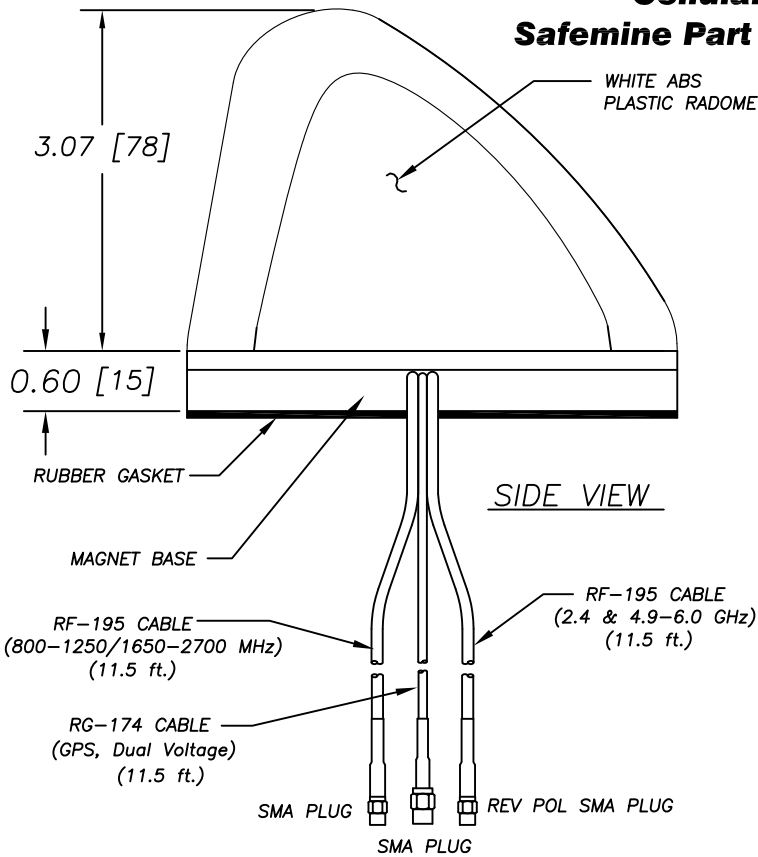


MGW-301-3C3J2C-WHT-138-SP-253

Foam Filled Multi-band Surface Magnet Mt. Antenna

Cellular/GSM/DCS/PCS/UMTS with GPS

Safemine Part No. 513 144 Safemine Model No. QF037



THIS MODEL IS
RoHS COMPLIANT

Antenna Specifications:

Frequency:	800-1250 & 1650-2700 MHz 2.4 & 4.9-6.0 GHz 1575.42 ±2 MHz (GPS)
Gain:	3 dBi Peak for 800-1250 5 dBi Peak for 1650-2700 MHz 5 dBi Peak for 2.4 & 4.9-6.0 GHz
GPS Unit Gain	26 dB, 5 dBi Antenna
Voltage	3.3/5 VDC
Current	10mA (typ.), 20mA (max.)
VSWR:	< 2:1 VSWR over range
Maximum Power:	10 Watts
Connector/Interface:	As Shown
Case:	4.20" Dia. x 3.67" High
Radome Material:	White ABS UV Inhibitive
Cable	RG-174, 11.5 ft. (GPS DV 3v & 5V) RF-195, 11.5 ft. (800-1250/1650-2700 MHz) RF-195, 11.5 ft. (2.4 & 4.9-6.0 GHz)
Impedance:	50 OHM Nominal
Mounting:	3/4" Dia. Feed through. 3/8" lg. thread for up to 1/4" thick surface 304 S.S.
Operating Temperature:	-40° to +80° C

MobileMark

antenna solutions

US OFFICE & HEADQUARTERS: 1140 W THORNDALE AVE, ITASCA, IL 60143
TEL: (847) 671-6690 * FAX (847) 671-6715

UK OFFICE: 8 MIRAS BUS PARK, KEYS PARK ROAD, HEDNESFORD WS12 2FS, UK.
UK TEL: (+44) 1543-459555 FAX (+44) 1543-459545

VISIT OUR WEBSITE AT WWW.MOBILEMARK.COM

3/5/14