



TEST REPORT

REPORT NUMBER: I21W00017-WWAN_Rev2

ON

Type of Equipment: Tracker
Model Name: PA32
Manufacturer: Micron Electronics LLC.

ACCORDING TO

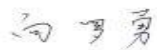
FCC CFR Part 2, FREQUENCY ALLOCATIONS AND RADIO TREATY MATTERS; GENERAL RULES AND REGULATIONS, e-CFR, 2019
PART 22, PUBLIC MOBILE SERVICES, e-CFR, 2019
PART 24, PERSONAL COMMUNICATIONS SERVICES, e-CFR, 2019
PART 27, MISCELLANEOUS WIRELESS COMMUNICATIONS SERVICES, e-CFR, 2019
ANSI C63.26-2015

Chongqing Academy of Information and Communications Technology

Month date, year

Aug 16, 2021

Signature



Xiang Luoyong

Director

Note:

The test results in this test report relate only to the devices specified in this report. This report shall not be reproduced except in full without the written approval of Chongqing Academy of Information and Communications Technology.



Report No.: I21W00017-WWAN_Rev2
Revision Version

Report Number	Revision	Date	Memo
I21W00017-WWAN	V0.0	2021-08-03	--
I21W00017-WWAN_Rev1	V1.0	2021-08-13	--
I21W00017-WWAN_Rev2	V2.0	2021-08-16	--

Chongqing Academy of Information and Communication Technology

Address: No. 8, Yuma Road, Chayuan New City, Nan'an District, Chongqing, P. R. China, 401336
Tel: 0086-23-88069965 FAX: 0086-23-88608777



Report No.: I21W00017-WWAN_Rev2

FCC ID: ZKQ-CM911B

Report Date: 2021-08-16

Test Firm Name: Chongqing Academy of Information and Communications Technology

FCC Registration Number: CN1239

Statement

The measurements shown in this report were made in accordance with the procedures described on test pages. All reported tests were carried out on a sample equipment to demonstrate limited compliance with FCC CFR 47 Parts 2, 22, 24, 27, The sample tested was found to comply with the requirements defined in the applied rules.

CONTENTS

1.1 NOTES.....	4
1.2 TESTERS.....	5
1.3 TESTING LABORATORY INFORMATION.....	6
1.4 DETAILS OF APPLICANT OR MANUFACTURER.....	7
2 TEST ITEM.....	8
2.1 GENERAL INFORMATION.....	8
2.2 OUTLINE OF EQUIPMENT UNDER TEST.....	9
2.3 MODIFICATIONS INCORPORATED IN EUT.....	10
2.4 EQUIPMENT CONFIGURATION.....	10
2.5 OTHER INFORMATION.....	10
3 SUMMARY OF TEST RESULTS.....	11
4 TEST EQUIPMENTS AND ANCILLARIES USED FOR TESTS.....	12
5 TEST RESULTS.....	13
5.1 RADIATED SPURIOUS EMISSION.....	13
ANNEX A EUT PHOTOS.....	61
ANNEX B DEVIATIONS FROM PRESCRIBED TEST METHODS.....	62

Report No.: I21W00017-WWAN_Rev2

1 GENERAL INFORMATION

1.1 Notes

All reported tests were carried out on a sample equipment to demonstrate limited compliance with FCC CFR 47 Parts 2, 22, 24, 27.

The test results of this test report relate exclusively to the item(s) tested as specified in section 2.

The following deviation from, additions to, or exclusions from the test specifications have been made. See Annex B.

Chongqing Academy of Information and Communications Technology authorizes the applicant or manufacturer (see section 1.4) to reproduce this report provided, and the test report may only be reproduced or published in full. Reproduction or publication of extracts from the report requires the prior written approval of Chongqing Academy of Information and Communications Technology. Mr. Zhang Yan.

Any use which a third party makes of this report, or any reliance on or decisions to be made based on it, are the responsibility of such third parties. Chongqing Academy of Information and Communications Technology accepts no responsibility for damages, if any, suffered by any third party as a result of decisions made or actions based on this report.

Chongqing Academy of Information and Communication Technology

Address: No. 8, Yuma Road, Chayuan New City, Nan'an District, Chongqing, P. R. China, 401336
Tel: 0086-23-88069965 FAX: 0086-23-88608777

Report No.: I21W00017-WWAN_Rev2


1.2 Testers

Name: Zhang qinghao
Position: Engineer
Department: Department of RF test
Date: 2021-06-18 to 2021-06-30

Signature: 

Editor of this test report:

Name: Chen Wen
Position: Engineer
Department: Department of RF test
Date: 2021-08-16

Signature: 

Technical responsibility for area of testing:

Name: Xiang Luoyong
Position: Manager
Department: Director of the laboratory
Date: 2021-08-16

Signature: 

Report No.: I21W00017-WWAN_Rev2

1.3 Testing Laboratory information

1.3.1 Location

Name: Chongqing Academy of Information and Communications Technology
Address: No. 8, Yuma Road, Chayuan New City, Nan'an District, Chongqing, P. R. China
4th Floor, Block B1-3, 19 East Road, XTB Valley, Yubeu District, Chongqing, P. R. China
Postal Code: 401336
Tel: +86-23-88069965
Fax: +86-23-88608777
Email: liqiao@caict.ac.cn

1.3.2 Test location, where different from section 1.3.1

Name: -----
Street: -----
City: -----
Country: -----
Telephone: -----
Fax: -----
Postcode: -----

Chongqing Academy of Information and Communication Technology

Address: No. 8, Yuma Road, Chayuan New City, Nan'an District, Chongqing, P. R. China, 401336
Tel: 0086-23-88069965 FAX: 0086-23-88608777

Report No.: I21W00017-WWAN_Rev2

1.4 Details of applicant or manufacturer

1.4.1 Applicant

Name: Micron Electronics LLC.
Address: 1001 Yamato Road, Suite 400, Boca Raton, FL 33431,
USA
Country: USA
Telephone: +18885383489
Fax: --
Contact: Ping Cheng
Email: pcheng@micron-electronics.com

1.4.2 Manufacturer (if different from applicant in section 1.4.1)

Name: --
Address: --
Country: --
Telephone: --
Fax: --
Contact: --
Email: --

2 Test Item

2.1 General Information

Manufacturer:	Micron Electronics LLC.
Type of Equipment:	Tracker
Model Name:	PA32
Production Status:	Product
Hardware Version:	A108_V2_PCB
Software Version:	PA32V02.01B06.I01
Nominal Voltage:	3.8 V
Extreme High Voltage:	4.2 V
Extreme Low Voltage:	3.5 V
Antenna type:	Built in FPC antenna
Antenna gain:	0.5dBi
Modulation Type:	GMSK/QPSK/16QAM
Receipt date of test item:	2021-06-18

Report No.: I21W00017-WWAN_Rev2

2.2 Outline of Equipment under Test

The PA32, referred to as “EUT” hereafter, is a multi-Band wireless module operating on the GSM/CAT-M1/Wi-Fi/BLUETOOTH 5.0 networks. The table below shows the supported Bands for the EUT.

Technology	Band	UL Freq.(MHz)	DL Freq.(MHz)	Note
GSM	PCS1900	1850 – 1910	1930 – 1990	--
CAT-M	Band2	1850 – 1910	1930 – 1990	--
	Band4	1710 – 1755	2110 – 2155	--
	Band5	824 – 849	869 – 894	--
	Band12	699 – 716	729 – 746	--
	Band13	777 - 787	746 - 756	--

Report No.: I21W00017-WWAN_Rev2

2.3 Modifications Incorporated in EUT

The EUT has not been modified from what is described by the brand name and unique type identification stated above.

2.4 Equipment Configuration

Equipment configuration list:

Item	Generic Description	Manufacturer	Type	Serial No.	Remarks
A	Modules	Micron Electronics LLC.	PA32	866884045658127	None
B	data line	--	--	--	None

2.5 Other Information

--

Report No.: I21W00017-WWAN_Rev2

3 Summary of Test Results

A brief summary of the tests carried out is shown as following.

FCC Rules	Name of Test	Citation report	Result
2.1046,22.913(a),24.23 2(c),27.50	Conducted RF Power Output	Report No.:I20W00023-WWAN_Rev1 FCC ID:2AK9D-L710HG Report No.:I20W00022-WWAN_Rev1 IC ID:24342-L710HG	Pass
24.232(b),27.50(d),27. 50(h)(2),27.50(c)	ERP and EIRP	Report No.:I20W00023-WWAN_Rev1 FCC ID:2AK9D-L710HG Report No.:I20W00022-WWAN_Rev1 IC ID:24342-L710HG	Pass
2.1049,22.917(b),24.23 8(b)	Occupied Bandwidth	Report No.:I20W00023-WWAN_Rev1 FCC ID:2AK9D-L710HG Report No.:I20W00022-WWAN_Rev1 IC ID:24342-L710HG	--
2.1051,2.1053,24.238, 22.917,27.53	Conducted spurious emissions	Report No.:I20W00023-WWAN_Rev1 FCC ID:2AK9D-L710HG Report No.:I20W00022-WWAN_Rev1 IC ID:24342-L710HG	Pass
2.1051,2.1053,24.238, 22.917,27.53	Radiated Spurious Emission	--	Pass
2.1051,2.1053,24.238, 22.917,27.53	Band Edge	Report No.:I20W00023-WWAN_Rev1 FCC ID:2AK9D-L710HG Report No.:I20W00022-WWAN_Rev1 IC ID:24342-L710HG	Pass
2.1055,22.355,24.235, 27.54	Frequency Stability over Temperature Variation	Report No.:I20W00023-WWAN_Rev1 FCC ID:2AK9D-L710HG Report No.:I20W00022-WWAN_Rev1 IC ID:24342-L710HG	Pass
2.1055,22.355,24.235, 27.54	Frequency Stability over Voltage Variation	Report No.:I20W00023-WWAN_Rev1 FCC ID:2AK9D-L710HG Report No.:I20W00022-WWAN_Rev1 IC ID:24342-L710HG	Pass
24.232,27.50	Peak to Average Ratio	Report No.:I20W00023-WWAN_Rev1 FCC ID:2AK9D-L710HG Report No.:I20W00022-WWAN_Rev1 IC ID:24342-L710HG	Pass

Report No.: I21W00017-WWAN Rev2

Note 1: No applicable performance criteria.

Note 2: The EUT PA32 manufactured by Micron Electronics LLC and L710HG manufactured by Shanghai MobileTek Communication Ltd have no electrical change, The difference between PA32 and L710HG is the antenna type,so only radiated spurious emission is tested.For other test results, please refer to certification report B20W00023-WWAN_ Rev1 and I20W00022-WWAN_ Rev1 is the test report of L710HG.

4 Test Equipments and Ancillaries Used For Tests

The test equipments and ancillaries used are as follows.

No.	Equipment	Model	SN	Manufacture	Cal. Due Date
1	EMI Test Receiver	ESU26	100367	R&S	2022-06-12
2	Loop antenna	6502	00143163	ETS	2022-01-23
3	Trilog super broadBand test antenna	VULB 9163	9163-544	R&S	2023-04-03
4	Double-Ridged Horn Antenna	HF907	100357	R&S	2021-08-20
5	Trilog super broadBand test antenna	VULB 9163	00995	R&S	2022-11-23
6	Double-Ridged Horn Antenna	HF907	100356	R&S	2021-08-20
7	Fully-Anechoic Chamber	11.8m×6.5m×6.3m	--	ETS	2024-01-22
8	Signal Generator	SMU200A	104517	R&S	2022-06-12
9	spectrum analyzer	FSQ 26	201137/026	R&S	2022-06-12
10	spectrum analyzer	N9020A	MY50200376	Agilent	2022-06-12
11	Universal Radio Communication Tester	CMU200	112012	R&S	2022-06-12
12	Climate chamber	SH-241	92010759	ESPEC	2022-06-12
13	DC Power Supply	N6705B	MY50000919	Agilent	2022-06-12
14	Universal Radio Communication Tester	CMW500	152395	R&S	2022-06-12
15	Universal Radio Communication Tester	SP8315	SP8315-1249	StarPoint	2022-06-12

Chongqing Academy of Information and Communication Technology

Address: No. 8,Yuma Road, Chayuan New City, Nan'an District, Chongqing, P. R. China,401336
Tel: 0086-23-88069965

FAX:0086-23-88608777

5 Test Results

5.1 Radiated Spurious Emission

Specifications:	FCC Part 2.1051, 2.1053, 24.238, 22.917, 27.53
DUT Serial Number:	866884045658127
Test conditions:	Ambient Temperature:15°C-35°C Relative Humidity:30%-60% Air pressure: 86-106kPa
Test Results:	Pass

Limit Level Construction:

According to Part 22.917 (a), i.e., Out of Band emissions. The power of any emission outside of the authorized operating frequency ranges must be attenuated below the transmitting power (P) by a factor of at least $43 + 10 \log(P)$ dB.

According to Part 24.238 (a), i.e., Out of Band emissions. The power of any emission outside of the authorized operating frequency ranges must be attenuated below the transmitting power (P) by a factor of at least $43 + 10 \log(P)$ dB, so the limit level is: $P(\text{dBm}) - (43 + 10 \log(P)) \text{ dB} = -13 \text{ dBm}$.

According to Part 27.53(c):

On any frequency outside the 776-788 MHz band, the power of any emission shall be attenuated outside the band below the transmitter power (P) by at least $43 + 10 \log(P)$ dB;

According to Part 27.53(h):

Except as otherwise specified below, for operations in the 1695-1710 MHz, 1710-1755 MHz, 1755-1780 MHz, 1915-1920 MHz, 1995-2000 MHz, 2000-2020 MHz, 2110-2155 MHz, 2155-2180 MHz, and 2180-2200 Bands, the power of any emission outside a licensee's frequency block shall be attenuated below the transmitter power (P) in watts by at least $43 + 10 \log_{10}(P)$ dB.

According to Part 27.53(g):

For operations in the 600 MHz Band and the 698-746 MHz Band, the power of any emission outside a licensee's frequency Band(s) of operation shall be attenuated below the transmitter power (P) within the licensed Band(s) of operation, measured in watts, by at least $43 + 10 \log(P)$ dB. Compliance with this provision is based on the use of measurement instrumentation employing a resolution Bandwidth of 100 kilohertz or greater. However, in the 100 kilohertz Bands immediately outside and adjacent to a licensee's frequency block, a resolution Bandwidth of at least 30 kHz may be employed.

Report No.: I21W00017-WWAN_Rev2

Limits for Radiated spurious emissions(UE)	
Frequency range	Limit Level /Resolution Bandwidth
30 MHz to 20000 MHz	-13dBm/1MHz

Measurement Uncertainty:

Item	Uncertainty
Expanded Uncertainty	5.15 dB (k=2)

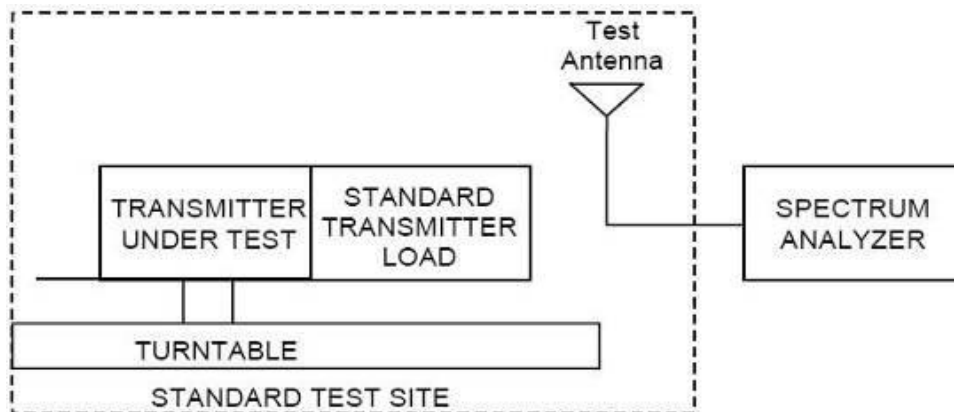
Test Setup:

The EUT was placed in an anechoic chamber. The Wireless Communications Test Set was used to set the TX channel and power level and modulate the TX signal with different bit patterns.

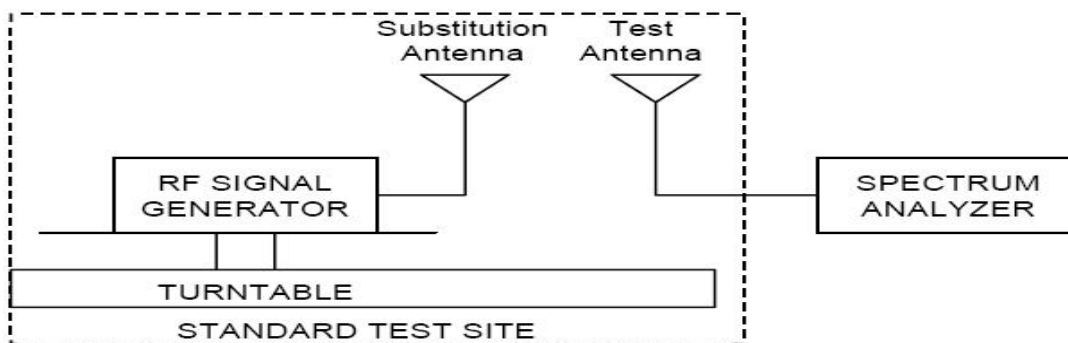
Test Method:

The measurement method is substitution method accordance with section 2.2.12 of ANSI/TIA-603-E: Land Mobile FM or PM Communications Equipment Measurement and Performance Standards.

(a) Connect the equipment as illustrated and measure the spurious emissions as the method as above. The distance from the device to the antenna is 3 m .



(b) Reconnect the equipment as illustrated.



(c) Remove the transmitter and replace it with a substitution antenna. The center of the

Report No.: I21W00017-WWAN_Rev2

substitution antenna should be approximately at the same location as the center of the transmitter.

(d) Feed the substitution antenna at the transmitter end with a signal generator connected to the antenna by means of a non-radiating cable. With the antennas at both ends horizontally polarized, and with the signal generator tuned to a particular spurious frequency, raise and lower the test antenna to obtain a maximum reading at the spectrum analyzer. Adjust the level of the signal generator output until the previously recorded maximum reading for this set of conditions is obtained. This should be done carefully repeating the adjustment of the test antenna and generator output.

(e) Repeat step d) with both antennas vertically polarized for each spurious frequency.

(f) Calculate power in dBm into a reference ideal half-wave dipole antenna by reducing the readings obtained in steps d) and e) by the power loss in the cable between the generator and the antenna, and further corrected for the gain of the substitution antenna used relative to an ideal half-wave dipole antenna by the following formula:

$$P_d(\text{dBm}) = P_g(\text{dBm}) - \text{cable loss (dB)} + \text{antenna gain (dB)}$$

where:

P_d is the dipole equivalent power and P_g is the generator output power into the substitution antenna.

Note: The evaluation of radiated spurious emission under the simultaneous transmission of WWAN, WI-Fi & BLE.

Report No.: I21W00017-WWAN_Rev2

5.1.1 CAT-M B2 Radiated Spurious Emission Results

Test Data (1.4MHz bandwidth 18607 QPSK Mode)

Frequency [MHz]	Generator output power(Pg) [dBm]	Cable loss [dB]	Antenna Gain [dB]	Spurious Emission Power (Pd) [dBm]	Antenna Polarization [H/V]
3701.4	-72.6	7.2	8.9	-70.9	V
5552.1	-76.8	2.5	10.5	-68.8	H
7402.8	-75.5	0.9	11.9	-64.5	H
9253.5	-69.8	1.0	11.5	-59.3	V
11104.2	-70.9	0.3	12.1	-59.1	V
12954.9	-71.0	0.4	12.4	-59.0	V

Test Data (1.4MHz bandwidth 18607 16QAM Mode)

Frequency [MHz]	Generator output power(Pg) [dBm]	Cable loss [dB]	Antenna Gain [dB]	Spurious Emission Power (Pd) [dBm]	Antenna Polarization [H/V]
3701.4	-69.6	7.2	8.9	-67.9	V
5552.1	-76.7	2.5	10.5	-68.7	H
7402.8	-75.9	0.9	11.9	-64.9	V
9253.5	-70.2	1.0	11.5	-59.7	H
11104.2	-71.0	0.3	12.1	-59.2	V
12954.9	-70.9	0.4	12.4	-58.9	V

Test Data (1.4MHz bandwidth 18900 QPSK Mode)

Frequency [MHz]	Generator output power(Pg) [dBm]	Cable loss [dB]	Antenna Gain [dB]	Spurious Emission Power (Pd) [dBm]	Antenna Polarization [H/V]
3760.0	-67.4	7.3	8.9	-65.8	H
5640.0	-68.7	1.8	10.5	-60.0	H
7520.0	-71.9	0.9	11.9	-60.9	H
9400.0	-70.7	0.8	11.8	-59.7	V

Chongqing Academy of Information and Communication Technology

Address: No. 8,Yuma Road, Chayuan New City, Nan'an District, Chongqing, P. R. China,401336
 Tel: 0086-23-88069965 FAX:0086-23-88608777

Report No.: I21W00017-WWAN Rev2

11280.0	-71.2	0.3	12.1	-59.4	V
13160.0	-71.3	0.4	12.4	-59.3	V

Test Data (1.4MHz bandwidth 18900 16QAM Mode)

Frequency [MHz]	Generator output power(Pg) [dBm]	Cable loss [dB]	Antenna Gain [dB]	Spurious Emission Power (Pd) [dBm]	Antenna Polarization [H/V]
3760.0	-60.6	7.3	8.9	-59.0	V
5640.0	-73.0	1.8	10.5	-64.3	H
7520.0	-72.9	0.9	11.9	-61.9	H
9400.0	-71.4	0.8	11.8	-60.4	H
11280.0	-71.2	0.3	12.1	-59.4	V
13160.0	-71.1	0.4	12.4	-59.1	V

Test Data (1.4MHz bandwidth 19192 QPSK Mode)

Frequency [MHz]	Generator output power(Pg) [dBm]	Cable loss [dB]	Antenna Gain [dB]	Spurious Emission Power (Pd) [dBm]	Antenna Polarization [H/V]
3818.4	-59.2	7.4	9.2	-57.4	H
5727.6	-70.7	1.5	10.5	-61.7	H
7636.8	-72.3	1.1	11.9	-61.5	V
9546.0	-71.1	0.9	11.8	-60.2	H
11455.2	-71.6	0.3	12.2	-59.7	V
13364.4	-71.2	0.4	12.4	-59.2	V

Test Data (1.4MHz bandwidth 19192 16QAM Mode)

Frequency [MHz]	Generator output power(Pg) [dBm]	Cable loss [dB]	Antenna Gain [dB]	Spurious Emission Power (Pd) [dBm]	Antenna Polarization [H/V]
3818.4	-58.7	7.4	9.2	-56.9	H
5727.6	-68.1	1.5	10.5	-59.1	H
7636.8	-76.2	1.1	11.9	-65.4	H
9546.0	-71.6	0.9	11.8	-60.7	V

Chongqing Academy of Information and Communication Technology

Address: No. 8,Yuma Road, Chayuan New City, Nan'an District, Chongqing, P. R. China,401336
Tel: 0086-23-88069965 FAX:0086-23-88608777

Report No.: I21W00017-WWAN Rev2

11455.2	-71.2	0.3	12.2	-59.3	V
13364.4	-70.9	0.4	12.4	-58.9	V

Test Data (3MHz bandwidth 18615 QPSK Mode)

Frequency [MHz]	Generator output power(Pg) [dBm]	Cable loss [dB]	Antenna Gain [dB]	Spurious Emission Power (Pd) [dBm]	Antenna Polarization [H/V]
3703.0	-59.2	7.2	8.9	-57.5	H
5554.5	-73.4	2.0	10.5	-64.9	V
7406.0	-72.4	0.9	11.9	-61.4	H
9257.5	-69.8	1.0	11.5	-59.3	V
11109.0	-70.8	0.4	12.1	-59.1	V
12960.5	-71.4	0.4	12.4	-59.4	V

Test Data (3MHz bandwidth 18615 16QAM Mode)

Frequency [MHz]	Generator output power(Pg) [dBm]	Cable loss [dB]	Antenna Gain [dB]	Spurious Emission Power (Pd) [dBm]	Antenna Polarization [H/V]
3703.0	-66.9	7.2	8.9	-65.2	V
5554.5	-72.2	2.0	10.5	-63.7	H
7406.0	-71.0	0.9	11.9	-60.0	H
9257.5	-70.0	1.0	11.5	-59.5	V
11109.0	-70.8	0.4	12.1	-59.1	V
12960.5	-70.9	0.4	12.4	-58.9	V

Test Data (3MHz bandwidth 18900 QPSK Mode)

Frequency [MHz]	Generator output power(Pg) [dBm]	Cable loss [dB]	Antenna Gain [dB]	Spurious Emission Power (Pd) [dBm]	Antenna Polarization [H/V]
3760.0	-58.3	7.3	8.9	-56.7	H
5640.0	-68.7	1.8	10.5	-60.0	H
7520.0	-70.0	0.9	11.9	-59.0	H
9400.0	-70.6	0.8	11.8	-59.6	V

Chongqing Academy of Information and Communication Technology

Address: No. 8,Yuma Road, Chayuan New City, Nan'an District, Chongqing, P. R. China,401336
Tel: 0086-23-88069965 FAX:0086-23-88608777

Report No.: I21W00017-WWAN Rev2

11280.0	-71.3	0.3	12.1	-59.5	V
13160.0	-71.1	0.4	12.4	-59.1	V

Test Data (3MHz bandwidth 18900 16QAM Mode)

Frequency [MHz]	Generator output power(Pg) [dBm]	Cable loss [dB]	Antenna Gain [dB]	Spurious Emission Power (Pd) [dBm]	Antenna Polarization [H/V]
3760.0	-57.7	7.3	8.9	-56.1	H
5640.0	-71.0	1.8	10.5	-62.3	V
7520.0	-73.6	0.9	11.9	-62.6	H
9400.0	-71.3	0.8	11.8	-60.3	V
11280.0	-71.3	0.3	12.1	-59.5	V
13160.0	-71.1	0.4	12.4	-59.1	V

Test Data (3MHz bandwidth 19184 QPSK Mode)

Frequency [MHz]	Generator output power(Pg) [dBm]	Cable loss [dB]	Antenna Gain [dB]	Spurious Emission Power (Pd) [dBm]	Antenna Polarization [H/V]
3816.4	-58.5	7.4	9.2	-56.7	H
5724.8	-66.2	1.4	10.5	-57.1	H
7633.2	-76.4	1.1	11.9	-65.6	H
9541.6	-71.5	0.9	11.8	-60.6	V
11450.0	-71.1	0.8	12.2	-59.7	V
13358.4	-71.2	0.4	12.4	-59.2	V

Test Data (3MHz bandwidth 19184 16QAM Mode)

Frequency [MHz]	Generator output power(Pg) [dBm]	Cable loss [dB]	Antenna Gain [dB]	Spurious Emission Power (Pd) [dBm]	Antenna Polarization [H/V]
3816.4	-61.4	7.4	9.2	-59.6	H
5724.8	-67.7	1.4	10.5	-58.6	V
7633.2	-74.4	1.1	11.9	-63.6	H
9541.6	-71.5	0.9	11.8	-60.6	V

Chongqing Academy of Information and Communication Technology

Address: No. 8,Yuma Road, Chayuan New City, Nan'an District, Chongqing, P. R. China,401336
Tel: 0086-23-88069965 FAX:0086-23-88608777

Report No.: I21W00017-WWAN Rev2

11450.0	-69.8	0.8	12.2	-58.4	V
13358.4	-71.1	0.4	12.4	-59.1	V

Test Data (5MHz bandwidth 18625 QPSK Mode)

Frequency [MHz]	Generator output power(Pg) [dBm]	Cable loss [dB]	Antenna Gain [dB]	Spurious Emission Power (Pd) [dBm]	Antenna Polarization [H/V]
3705.0	-65.8	7.2	8.9	-64.1	H
5557.5	-70.8	2.5	10.5	-62.8	H
7410.0	-71.0	0.9	11.9	-60.0	H
9262.5	-69.9	1.0	11.5	-59.4	V
11115.0	-70.6	0.3	12.1	-58.8	V
12967.5	-71.7	0.4	12.4	-59.7	V

Test Data (5MHz bandwidth 18625 16QAM Mode)

Frequency [MHz]	Generator output power(Pg) [dBm]	Cable loss [dB]	Antenna Gain [dB]	Spurious Emission Power (Pd) [dBm]	Antenna Polarization [H/V]
3705.0	-68.6	7.2	8.9	-66.9	H
5557.5	-74.6	2.5	10.5	-66.6	H
7410.0	-74.5	0.9	11.9	-63.5	V
9262.5	-70.2	1.0	11.5	-59.7	V
11115.0	-70.9	0.3	12.1	-59.1	V
12967.5	-71.3	0.4	12.4	-59.3	V

Test Data (5MHz bandwidth 18900 QPSK Mode)

Frequency [MHz]	Generator output power(Pg) [dBm]	Cable loss [dB]	Antenna Gain [dB]	Spurious Emission Power (Pd) [dBm]	Antenna Polarization [H/V]
3760.0	-66.4	7.3	8.9	-64.8	H
5640.0	-72.8	1.8	10.5	-64.1	H
7520.0	-72.5	0.9	11.9	-61.5	H
9400.0	-70.3	0.8	11.8	-59.3	V

Chongqing Academy of Information and Communication Technology

Address: No. 8,Yuma Road, Chayuan New City, Nan'an District, Chongqing, P. R. China,401336
Tel: 0086-23-88069965 FAX:0086-23-88608777

Report No.: I21W00017-WWAN Rev2

11280.0	-70.9	0.3	12.1	-59.1	V
13160.0	-70.9	0.4	12.4	-58.9	V

Test Data (5MHz bandwidth 18900 16QAM Mode)

Frequency [MHz]	Generator output power(Pg) [dBm]	Cable loss [dB]	Antenna Gain [dB]	Spurious Emission Power (Pd) [dBm]	Antenna Polarization [H/V]
3760.0	-61.8	7.3	8.9	-60.2	V
5640.0	-71.0	1.8	10.5	-62.3	H
7520.0	-71.7	0.9	11.9	-60.7	H
9400.0	-71.3	0.8	11.8	-60.3	V
11280.0	-70.9	0.3	12.1	-59.1	V
13160.0	-70.4	0.4	12.4	-58.4	V

Test Data (5MHz bandwidth 19174 QPSK Mode)

Frequency [MHz]	Generator output power(Pg) [dBm]	Cable loss [dB]	Antenna Gain [dB]	Spurious Emission Power (Pd) [dBm]	Antenna Polarization [H/V]
3814.8	-64.1	7.4	9.2	-62.3	H
5722.2	-70.3	1.5	10.5	-61.3	V
7629.6	-75.9	0.8	11.9	-64.8	H
9537.0	-71.5	0.9	11.8	-60.6	V
11444.4	-70.7	0.8	12.2	-59.3	V
13351.8	-71.1	0.4	12.4	-59.1	V

Test Data (5MHz bandwidth 19174 16QAM Mode)

Frequency [MHz]	Generator output power(Pg) [dBm]	Cable loss [dB]	Antenna Gain [dB]	Spurious Emission Power (Pd) [dBm]	Antenna Polarization [H/V]
3814.8	-64.9	7.4	9.2	-63.1	H
5722.2	-73.2	1.5	10.5	-64.2	H
7629.6	-74.7	0.8	11.9	-63.6	H
9537.0	-71.1	0.9	11.8	-60.2	V

Chongqing Academy of Information and Communication Technology

Address: No. 8,Yuma Road, Chayuan New City, Nan'an District, Chongqing, P. R. China,401336
Tel: 0086-23-88069965 FAX:0086-23-88608777

Report No.: I21W00017-WWAN Rev2

11444.4	-70.8	0.8	12.2	-59.4	V
13351.8	-71.3	0.4	12.4	-59.3	V

Test Data (10MHz bandwidth 18650 QPSK Mode)

Frequency [MHz]	Generator output power(Pg) [dBm]	Cable loss [dB]	Antenna Gain [dB]	Spurious Emission Power (Pd) [dBm]	Antenna Polarization [H/V]
3710.0	-60.8	7.2	8.9	-59.1	V
5565.0	-72.2	2.0	10.5	-63.7	H
7420.0	-72.9	0.9	11.9	-61.9	H
9275.0	-69.8	1.0	11.5	-59.3	V
11130.0	-70.6	0.3	12.1	-58.8	V
12985.0	-71.1	0.4	12.4	-59.1	V

Test Data (10MHz bandwidth 18650 16QAM Mode)

Frequency [MHz]	Generator output power(Pg) [dBm]	Cable loss [dB]	Antenna Gain [dB]	Spurious Emission Power (Pd) [dBm]	Antenna Polarization [H/V]
3710.0	-67.9	7.2	8.9	-66.2	H
5565.0	-67.8	2.0	10.5	-59.3	V
7420.0	-75.9	0.9	11.9	-64.9	H
9275.0	-69.8	1.0	11.5	-59.3	V
11130.0	-70.6	0.3	12.1	-58.8	V
12985.0	-71.3	0.4	12.4	-59.3	V

Test Data (10MHz bandwidth 18900 QPSK Mode)

Frequency [MHz]	Generator output power(Pg) [dBm]	Cable loss [dB]	Antenna Gain [dB]	Spurious Emission Power (Pd) [dBm]	Antenna Polarization [H/V]
3760.0	-60.8	7.3	8.9	-59.2	H
5640.0	-69.6	1.8	10.5	-60.9	H
7520.0	-71.4	0.9	11.9	-60.4	H
9400.0	-71.3	0.8	11.8	-60.3	V

Chongqing Academy of Information and Communication Technology

Address: No. 8,Yuma Road, Chayuan New City, Nan'an District, Chongqing, P. R. China,401336
Tel: 0086-23-88069965 FAX:0086-23-88608777

Report No.: I21W00017-WWAN Rev2

11280.0	-70.2	0.3	12.1	-58.4	V
13160.0	-71.1	0.4	12.4	-59.1	V

Test Data (10MHz bandwidth 18900 16QAM Mode)

Frequency [MHz]	Generator output power(Pg) [dBm]	Cable loss [dB]	Antenna Gain [dB]	Spurious Emission Power (Pd) [dBm]	Antenna Polarization [H/V]
3760.0	-66.5	7.3	8.9	-64.9	H
5640.0	-73.6	1.8	10.5	-64.9	V
7520.0	-70.7	0.9	11.9	-59.7	H
9400.0	-69.4	0.8	11.8	-58.4	V
11280.0	-70.8	0.3	12.1	-59.0	V
13160.0	-71.3	0.4	12.4	-59.3	V

Test Data (10MHz bandwidth 19149 QPSK Mode)

Frequency [MHz]	Generator output power(Pg) [dBm]	Cable loss [dB]	Antenna Gain [dB]	Spurious Emission Power (Pd) [dBm]	Antenna Polarization [H/V]
3809.8	-64.5	7.4	9.2	-62.7	H
5714.7	-70.8	1.5	10.5	-61.8	H
7619.6	-73.6	1.1	11.9	-62.8	V
9524.5	-73.1	0.9	11.8	-62.2	V
11429.4	-71.0	0.8	12.2	-59.6	V
13343.3	-71.2	0.4	12.4	-59.2	V

Test Data (10MHz bandwidth 19149 16QAM Mode)

Frequency [MHz]	Generator output power(Pg) [dBm]	Cable loss [dB]	Antenna Gain [dB]	Spurious Emission Power (Pd) [dBm]	Antenna Polarization [H/V]
3809.8	-58.0	7.4	9.2	-56.2	H
5714.7	-68.8	1.5	10.5	-59.8	H
7619.6	-71.8	1.1	11.9	-61.0	H
9524.5	-72.1	0.9	11.8	-61.2	V

Chongqing Academy of Information and Communication Technology

Address: No. 8,Yuma Road, Chayuan New City, Nan'an District, Chongqing, P. R. China,401336
Tel: 0086-23-88069965 FAX:0086-23-88608777

Report No.: I21W00017-WWAN Rev2

11429.4	-71.0	0.8	12.2	-59.6	V
13343.3	-70.6	0.4	12.4	-58.6	V

Test Data (15MHz bandwidth 18675 QPSK Mode)

Frequency [MHz]	Generator output power(Pg) [dBm]	Cable loss [dB]	Antenna Gain [dB]	Spurious Emission Power (Pd) [dBm]	Antenna Polarization [H/V]
3715.0	-57.4	7.2	8.9	-55.7	V
5572.5	-71.6	2.0	10.5	-63.1	H
7430.0	-71.6	0.9	11.9	-60.6	H
9287.5	-70.9	1.0	11.5	-60.4	V
11145.0	-70.6	0.3	12.1	-58.8	V
13002.5	-71.0	0.4	12.4	-59.0	V

Test Data (15MHz bandwidth 18675 16QAM Mode)

Frequency [MHz]	Generator output power(Pg) [dBm]	Cable loss [dB]	Antenna Gain [dB]	Spurious Emission Power (Pd) [dBm]	Antenna Polarization [H/V]
3715.0	-62.3	7.2	8.9	-60.6	H
5572.5	-70.8	2.0	10.5	-62.3	H
7430.0	-70.6	0.9	11.9	-59.6	H
9287.5	-70.2	1.0	11.5	-59.7	V
11145.0	-70.5	0.3	12.1	-58.7	V
13002.5	-71.3	0.4	12.4	-59.3	V

Test Data (15MHz bandwidth 18900 QPSK Mode)

Frequency [MHz]	Generator output power(Pg) [dBm]	Cable loss [dB]	Antenna Gain [dB]	Spurious Emission Power (Pd) [dBm]	Antenna Polarization [H/V]
3760.0	-65.4	7.3	8.9	-63.8	H
5640.0	-68.0	1.8	10.5	-59.3	H
7520.0	-70.6	0.9	11.9	-59.6	H
9400.0	-72.1	0.8	11.8	-61.1	V

Chongqing Academy of Information and Communication Technology

Address: No. 8,Yuma Road, Chayuan New City, Nan'an District, Chongqing, P. R. China,401336
Tel: 0086-23-88069965 FAX:0086-23-88608777

Report No.: I21W00017-WWAN Rev2

11280.0	-70.8	0.3	12.1	-59.0	V
13160.0	-71.4	0.4	12.4	-59.4	V

Test Data (15MHz bandwidth 18900 16QAM Mode)

Frequency [MHz]	Generator output power(Pg) [dBm]	Cable loss [dB]	Antenna Gain [dB]	Spurious Emission Power (Pd) [dBm]	Antenna Polarization [H/V]
3760.0	-62.0	7.3	8.9	-60.4	H
5640.0	-68.2	1.8	10.5	-59.5	V
7520.0	-68.8	0.9	11.9	-57.8	H
9400.0	-70.8	0.8	11.8	-59.8	V
11280.0	-70.5	0.3	12.1	-58.7	V
13160.0	-71.1	0.4	12.4	-59.1	V

Test Data (15MHz bandwidth 19124 QPSK Mode)

Frequency [MHz]	Generator output power(Pg) [dBm]	Cable loss [dB]	Antenna Gain [dB]	Spurious Emission Power (Pd) [dBm]	Antenna Polarization [H/V]
3804.8	-63.8	7.4	9.2	-62.0	H
5707.2	-70.2	1.5	10.5	-61.2	H
7609.6	-73.4	1.1	11.9	-62.6	V
9512.0	-71.8	0.9	11.8	-60.9	V
11414.4	-71.0	0.8	12.2	-59.6	V
13316.8	-72.3	0.4	12.4	-60.3	V

Test Data (15MHz bandwidth 19124 16QAM Mode)

Frequency [MHz]	Generator output power(Pg) [dBm]	Cable loss [dB]	Antenna Gain [dB]	Spurious Emission Power (Pd) [dBm]	Antenna Polarization [H/V]
3804.8	-63.7	7.4	9.2	-61.9	H
5707.2	-70.7	1.5	10.5	-61.7	H
7609.6	-69.9	1.1	11.9	-59.1	H
9512.0	-72.1	0.9	11.8	-61.2	V

Chongqing Academy of Information and Communication Technology

Address: No. 8,Yuma Road, Chayuan New City, Nan'an District, Chongqing, P. R. China,401336
Tel: 0086-23-88069965 FAX:0086-23-88608777

Report No.: I21W00017-WWAN Rev2

11414.4	-71.0	0.8	12.2	-59.6	V
13316.8	-71.1	0.4	12.4	-59.1	V

Test Data (20MHz bandwidth 18700 QPSK Mode)

Frequency [MHz]	Generator output power(Pg) [dBm]	Cable loss [dB]	Antenna Gain [dB]	Spurious Emission Power (Pd) [dBm]	Antenna Polarization [H/V]
3720.0	-66.8	7.3	9.2	-64.9	H
5580.0	-74.4	2.0	10.5	-65.9	H
7440.0	-70.5	0.9	11.9	-59.5	V
9300.0	-70.9	0.7	11.8	-59.8	V
11160.0	-71.0	0.3	12.2	-59.1	V
13020.0	-70.7	0.4	12.4	-58.7	V

Test Data (20MHz bandwidth 18700 16QAM Mode)

Frequency [MHz]	Generator output power(Pg) [dBm]	Cable loss [dB]	Antenna Gain [dB]	Spurious Emission Power (Pd) [dBm]	Antenna Polarization [H/V]
3720.0	-63.1	7.3	9.2	-61.2	H
5580.0	-70.3	2.0	10.5	-61.8	H
7440.0	-68.0	0.9	11.9	-57.0	H
9300.0	-71.7	0.7	11.8	-60.6	V
11160.0	-70.5	0.3	12.2	-58.6	V
13020.0	-72.5	0.4	12.4	-60.5	V

Test Data (20MHz bandwidth 18900 QPSK Mode)

Frequency [MHz]	Generator output power(Pg) [dBm]	Cable loss [dB]	Antenna Gain [dB]	Spurious Emission Power (Pd) [dBm]	Antenna Polarization [H/V]
3760.0	-66.5	7.3	8.9	-64.9	H
5640.0	-73.6	1.8	10.5	-64.9	H
7520.0	-68.0	0.9	11.9	-57.0	V
9400.0	-71.3	0.8	11.8	-60.3	V

Chongqing Academy of Information and Communication Technology

Address: No. 8,Yuma Road, Chayuan New City, Nan'an District, Chongqing, P. R. China,401336
Tel: 0086-23-88069965 FAX:0086-23-88608777

Report No.: I21W00017-WWAN Rev2

11280.0	-70.5	0.3	12.1	-58.7	V
13160.0	-71.0	0.4	12.4	-59.0	V

Test Data (20MHz bandwidth 18900 16QAM Mode)

Frequency [MHz]	Generator output power(Pg) [dBm]	Cable loss [dB]	Antenna Gain [dB]	Spurious Emission Power (Pd) [dBm]	Antenna Polarization [H/V]
3760.0	-63.7	7.3	8.9	-62.1	V
5640.0	-67.7	1.8	10.5	-59.0	H
7520.0	-69.9	0.9	11.9	-58.9	H
9400.0	-69.7	0.8	11.8	-58.7	V
11280.0	-71.2	0.3	12.1	-59.4	V
13160.0	-71.3	0.4	12.4	-59.3	V

Test Data (20MHz bandwidth 19099 QPSK Mode)

Frequency [MHz]	Generator output power(Pg) [dBm]	Cable loss [dB]	Antenna Gain [dB]	Spurious Emission Power (Pd) [dBm]	Antenna Polarization [H/V]
3799.8	-62.4	7.4	9.2	-60.6	H
5699.7	-73.5	1.7	10.5	-64.7	H
7599.6	-74.1	0.8	11.9	-63.0	H
9499.5	-71.8	0.8	11.8	-60.8	V
11399.4	-71.0	0.8	12.2	-59.6	V
13299.3	-70.8	0.4	12.4	-58.8	V

Test Data (20MHz bandwidth 19099 16QAM Mode)

Frequency [MHz]	Generator output power(Pg) [dBm]	Cable loss [dB]	Antenna Gain [dB]	Spurious Emission Power (Pd) [dBm]	Antenna Polarization [H/V]
3799.8	-60.1	7.4	9.2	-58.3	H
5699.7	-66.3	1.7	10.5	-57.5	H
7599.6	-69.0	0.8	11.9	-57.9	H
9499.5	-71.9	0.8	11.8	-60.9	V

Chongqing Academy of Information and Communication Technology

Address: No. 8,Yuma Road, Chayuan New City, Nan'an District, Chongqing, P. R. China,401336
Tel: 0086-23-88069965 FAX:0086-23-88608777

Report No.: I21W00017-WWAN Rev2

11399.4	-71.4	0.8	12.2	-60.0	V
13299.3	-70.7	0.4	12.4	-58.7	V

CAT_M B4 Radiated Spurious Emission Results

Test Data (1.4MHz bandwidth 19957 QPSK Mode)

Frequency [MHz]	Generator output power(Pg) [dBm]	Cable loss [dB]	Antenna Gain [dB]	Spurious Emission Power (Pd) [dBm]	Antenna Polarization [H/V]
3421.4	-71.2	6.9	8.9	-69.2	H
5132.1	-71.1	6.3	9.9	-67.5	H
6842.8	-77.2	0.8	11.9	-66.1	H
8553.5	-73.3	0.9	11.2	-63.0	V
10264.2	-69.7	0.5	12.0	-58.2	V
11974.9	-72.4	0.4	12.2	-60.6	V

Test Data (1.4MHz bandwidth 19957 16QAM Mode)

Frequency [MHz]	Generator output power(Pg) [dBm]	Cable loss [dB]	Antenna Gain [dB]	Spurious Emission Power (Pd) [dBm]	Antenna Polarization [H/V]
3421.4	-66.0	6.9	8.9	-64.0	H
5132.1	-71.6	6.3	9.9	-68.0	H
6842.8	-77.2	0.8	11.9	-66.1	V
8553.5	-73.3	0.9	11.2	-63.0	V
10264.2	-69.6	0.5	12.0	-58.1	V
11974.9	-73.3	0.4	12.2	-61.5	V

Test Data (1.4MHz bandwidth 20175 QPSK Mode)

Frequency [MHz]	Generator output power(Pg) [dBm]	Cable loss [dB]	Antenna Gain [dB]	Spurious Emission Power (Pd) [dBm]	Antenna Polarization [H/V]
3465.0	-70.5	6.9	8.9	-68.5	H
5197.5	-70.7	5.8	9.9	-66.6	V

Chongqing Academy of Information and Communication Technology

Address: No. 8,Yuma Road, Chayuan New City, Nan'an District, Chongqing, P. R. China,401336
Tel: 0086-23-88069965 FAX:0086-23-88608777

Report No.: I21W00017-WWAN Rev2

6930.0	-76.6	0.9	11.9	-65.6	H
8662.5	-72.4	0.9	11.2	-62.1	V
10395.0	-70.2	0.7	12.2	-58.7	V
12127.5	-72.2	0.6	12.2	-60.6	V

Test Data (1.4MHz bandwidth 20175 16QAM Mode)

Frequency [MHz]	Generator output power(Pg) [dBm]	Cable loss [dB]	Antenna Gain [dB]	Spurious Emission Power (Pd) [dBm]	Antenna Polarization [H/V]
3465.0	-64.5	6.9	8.9	-62.5	H
5197.5	-70.6	5.8	9.9	-66.5	H
6930.0	-76.5	0.9	11.9	-65.5	V
8662.5	-72.3	0.9	11.2	-62.0	V
10395.0	-69.0	0.7	12.2	-57.5	V
12127.5	-72.8	0.6	12.2	-61.2	V

Test Data (1.4MHz bandwidth 20392 QPSK Mode)

Frequency [MHz]	Generator output power(Pg) [dBm]	Cable loss [dB]	Antenna Gain [dB]	Spurious Emission Power (Pd) [dBm]	Antenna Polarization [H/V]
3508.4	-66.0	7.0	8.9	-64.1	H
5262.5	-73.5	4.7	9.9	-68.3	H
7016.8	-73.9	1.2	11.9	-63.2	H
8771.0	-71.2	1.1	11.2	-61.1	V
10525.2	-69.4	0.6	12.2	-57.8	V
12279.4	-72.3	0.3	12.2	-60.4	V

Test Data (1.4MHz bandwidth 20392 16QAM Mode)

Frequency [MHz]	Generator output power(Pg) [dBm]	Cable loss [dB]	Antenna Gain [dB]	Spurious Emission Power (Pd) [dBm]	Antenna Polarization [H/V]
3508.4	-66.6	7.0	8.9	-64.7	H
5262.5	-72.7	4.7	9.9	-67.5	H

Chongqing Academy of Information and Communication Technology

Address: No. 8,Yuma Road, Chayuan New City, Nan'an District, Chongqing, P. R. China,401336
Tel: 0086-23-88069965 FAX:0086-23-88608777

Report No.: I21W00017-WWAN Rev2

7016.8	-73.2	1.2	11.9	-62.5	V
8771.0	-72.2	1.1	11.2	-62.1	V
10525.2	-70.1	0.6	12.2	-58.5	V
12279.4	-72.5	0.3	12.2	-60.6	V

Test Data (3MHz bandwidth 19965 QPSK Mode)

Frequency [MHz]	Generator output power(Pg) [dBm]	Cable loss [dB]	Antenna Gain [dB]	Spurious Emission Power (Pd) [dBm]	Antenna Polarization [H/V]
3423.0	-74.8	6.9	8.9	-72.8	H
5134.5	-71.7	6.3	9.9	-68.1	H
6846.0	-76.7	0.8	11.9	-65.6	V
8557.5	-73.5	0.9	11.2	-63.2	V
10269.0	-70.6	0.5	12.0	-59.1	V
11980.5	-72.3	0.4	12.2	-60.5	V

Test Data (3MHz bandwidth 19965 16QAM Mode)

Frequency [MHz]	Generator output power(Pg) [dBm]	Cable loss [dB]	Antenna Gain [dB]	Spurious Emission Power (Pd) [dBm]	Antenna Polarization [H/V]
3423.0	-64.7	6.9	8.9	-62.7	H
5134.5	-71.5	6.3	9.9	-67.9	H
6846.0	-77.0	0.8	11.9	-65.9	H
8557.5	-72.7	0.9	11.2	-62.4	V
10269.0	-70.8	0.5	12.0	-59.3	V
11980.5	-72.3	0.4	12.2	-60.5	V

Test Data (3MHz bandwidth 20175 QPSK Mode)

Frequency [MHz]	Generator output power(Pg) [dBm]	Cable loss [dB]	Antenna Gain [dB]	Spurious Emission Power (Pd) [dBm]	Antenna Polarization [H/V]
3465.0	-64.0	6.9	8.9	-62.0	H
5197.5	-71.9	5.8	9.9	-67.8	H

Chongqing Academy of Information and Communication Technology

Address: No. 8,Yuma Road, Chayuan New City, Nan'an District, Chongqing, P. R. China,401336
Tel: 0086-23-88069965 FAX:0086-23-88608777

Report No.: I21W00017-WWAN Rev2

6930.0	-76.1	0.9	11.9	-65.1	H
8662.5	-72.7	0.9	11.2	-62.4	V
10395.0	-70.6	0.7	12.2	-59.1	V
12127.5	-72.8	0.6	12.2	-61.2	V

Test Data (3MHz bandwidth 20175 16QAM Mode)

Frequency [MHz]	Generator output power(Pg) [dBm]	Cable loss [dB]	Antenna Gain [dB]	Spurious Emission Power (Pd) [dBm]	Antenna Polarization [H/V]
3465.0	-69.2	6.9	8.9	-67.2	H
5197.5	-71.3	5.8	9.9	-67.2	H
6930.0	-76.8	0.9	11.9	-65.8	H
8662.5	-73.0	0.9	11.2	-62.7	V
10395.0	-70.4	0.7	12.2	-58.9	V
12127.5	-71.6	0.6	12.2	-60.0	V

Test Data (3MHz bandwidth 20384 QPSK Mode)

Frequency [MHz]	Generator output power(Pg) [dBm]	Cable loss [dB]	Antenna Gain [dB]	Spurious Emission Power (Pd) [dBm]	Antenna Polarization [H/V]
3506.8	-66.4	7.0	8.9	-64.5	H
5260.2	-71.0	5.0	9.9	-66.1	H
7013.6	-73.7	1.2	11.9	-63.0	V
8767.0	-72.7	1.2	11.2	-62.7	V
10520.4	-70.1	0.6	12.2	-58.5	V
12273.8	-72.5	0.3	12.2	-60.6	V

Test Data (3MHz bandwidth 20384 16QAM Mode)

Frequency [MHz]	Generator output power(Pg) [dBm]	Cable loss [dB]	Antenna Gain [dB]	Spurious Emission Power (Pd) [dBm]	Antenna Polarization [H/V]
3506.8	-65.3	7.0	8.9	-63.4	H
5260.2	-72.9	5.0	9.9	-68.0	H

Chongqing Academy of Information and Communication Technology

Address: No. 8,Yuma Road, Chayuan New City, Nan'an District, Chongqing, P. R. China,401336
Tel: 0086-23-88069965 FAX:0086-23-88608777

Report No.: I21W00017-WWAN Rev2

7013.6	-72.6	1.2	11.9	-61.9	H
8767.0	-71.1	1.2	11.2	-61.1	V
10520.4	-70.1	0.6	12.2	-58.5	V
12273.8	-72.5	0.3	12.2	-60.6	V

Test Data (5MHz bandwidth 19975 QPSK Mode)

Frequency [MHz]	Generator output power(Pg) [dBm]	Cable loss [dB]	Antenna Gain [dB]	Spurious Emission Power (Pd) [dBm]	Antenna Polarization [H/V]
3425.0	-75.2	6.9	8.9	-73.2	H
5137.5	-71.5	6.3	9.9	-67.9	H
6850.0	-77.2	0.8	11.9	-66.1	H
8562.5	-73.0	0.9	11.2	-62.7	V
10275.0	-69.7	0.5	12.0	-58.2	V
11987.5	-72.1	0.4	12.2	-60.3	V

Test Data (5MHz bandwidth 19975 16QAM Mode)

Frequency [MHz]	Generator output power(Pg) [dBm]	Cable loss [dB]	Antenna Gain [dB]	Spurious Emission Power (Pd) [dBm]	Antenna Polarization [H/V]
3425.0	-74.7	6.9	8.9	-72.7	H
5137.5	-71.5	6.3	9.9	-67.9	H
6850.0	-77.2	0.8	11.9	-66.1	V
8562.5	-72.3	0.9	11.2	-62.0	V
10275.0	-70.0	0.5	12.0	-58.5	V
11987.5	-72.1	0.4	12.2	-60.3	V

Test Data (5MHz bandwidth 20175 QPSK Mode)

Frequency [MHz]	Generator output power(Pg) [dBm]	Cable loss [dB]	Antenna Gain [dB]	Spurious Emission Power (Pd) [dBm]	Antenna Polarization [H/V]
3465.0	-67.0	6.9	8.9	-65.0	H
5197.5	-71.7	5.8	9.9	-67.6	H

Chongqing Academy of Information and Communication Technology

Address: No. 8,Yuma Road, Chayuan New City, Nan'an District, Chongqing, P. R. China,401336
Tel: 0086-23-88069965 FAX:0086-23-88608777

Report No.: I21W00017-WWAN Rev2

6930.0	-76.7	0.9	11.9	-65.7	H
8662.5	-72.4	0.9	11.2	-62.1	V
10395.0	-68.7	0.7	12.2	-57.2	V
12127.5	-71.3	0.6	12.2	-59.7	V

Test Data (5MHz bandwidth 20175 16QAM Mode)

Frequency [MHz]	Generator output power(Pg) [dBm]	Cable loss [dB]	Antenna Gain [dB]	Spurious Emission Power (Pd) [dBm]	Antenna Polarization [H/V]
3465.0	-74.4	6.9	8.9	-72.4	H
5197.5	-72.3	5.8	9.9	-68.2	H
6930.0	-76.9	0.9	11.9	-65.9	H
8662.5	-72.7	0.9	11.2	-62.4	V
10395.0	-70.0	0.7	12.2	-58.5	V
12127.5	-71.3	0.6	12.2	-59.7	V

Test Data (5MHz bandwidth 20374 QPSK Mode)

Frequency [MHz]	Generator output power(Pg) [dBm]	Cable loss [dB]	Antenna Gain [dB]	Spurious Emission Power (Pd) [dBm]	Antenna Polarization [H/V]
3504.8	-67.6	7.0	8.9	-65.7	H
5257.2	-73.1	5.0	9.9	-68.2	H
7009.6	-76.2	1.2	11.9	-65.5	V
8762.0	-72.5	1.2	11.2	-62.5	V
10514.4	-69.0	0.6	12.2	-57.4	V
12266.8	-71.6	0.4	12.2	-59.8	V

Test Data (5MHz bandwidth 20374 16QAM Mode)

Frequency [MHz]	Generator output power(Pg) [dBm]	Cable loss [dB]	Antenna Gain [dB]	Spurious Emission Power (Pd) [dBm]	Antenna Polarization [H/V]
3504.8	-74.1	7.0	8.9	-72.2	H
5257.2	-73.1	5.0	9.9	-68.2	H

Chongqing Academy of Information and Communication Technology

Address: No. 8,Yuma Road, Chayuan New City, Nan'an District, Chongqing, P. R. China,401336
Tel: 0086-23-88069965 FAX:0086-23-88608777

Report No.: I21W00017-WWAN Rev2

7009.6	-76.2	1.2	11.9	-65.5	H
8762.0	-72.1	1.2	11.2	-62.1	V
10514.4	-68.7	0.6	12.2	-57.1	V
12266.8	-71.5	0.4	12.2	-59.7	V

Test Data (10MHz bandwidth 20000 QPSK Mode)

Frequency [MHz]	Generator output power(Pg) [dBm]	Cable loss [dB]	Antenna Gain [dB]	Spurious Emission Power (Pd) [dBm]	Antenna Polarization [H/V]
3430.0	-66.7	6.9	8.9	-64.7	H
5145.0	-65.0	6.3	9.9	-61.4	H
6860.0	-75.2	0.8	11.9	-64.1	H
8575.0	-72.7	0.9	11.2	-62.4	V
10290.0	-69.7	0.5	12.0	-58.2	V
12005.0	-72.0	0.4	12.2	-60.2	V

Test Data (10MHz bandwidth 20000 16QAM Mode)

Frequency [MHz]	Generator output power(Pg) [dBm]	Cable loss [dB]	Antenna Gain [dB]	Spurious Emission Power (Pd) [dBm]	Antenna Polarization [H/V]
3430.0	-74.9	6.9	8.9	-72.9	H
5145.0	-71.7	6.3	9.9	-68.1	H
6860.0	-77.2	0.8	11.9	-66.1	H
8575.0	-73.4	0.9	11.2	-63.1	V
10290.0	-69.7	0.5	12.0	-58.2	V
12005.0	-72.3	0.4	12.2	-60.5	V

Test Data (10MHz bandwidth 20175 QPSK Mode)

Frequency [MHz]	Generator output power(Pg) [dBm]	Cable loss [dB]	Antenna Gain [dB]	Spurious Emission Power (Pd) [dBm]	Antenna Polarization [H/V]
3465.0	-63.8	6.9	8.9	-61.8	H
5197.5	-69.1	5.8	9.9	-65.0	H

Chongqing Academy of Information and Communication Technology

Address: No. 8,Yuma Road, Chayuan New City, Nan'an District, Chongqing, P. R. China,401336
Tel: 0086-23-88069965 FAX:0086-23-88608777

Report No.: I21W00017-WWAN Rev2

6930.0	-75.7	0.9	11.9	-64.7	H
8662.5	-73.0	0.9	11.2	-62.7	V
10395.0	-69.3	0.7	12.2	-57.8	V
12127.5	-71.1	0.6	12.2	-59.5	V

Test Data (10MHz bandwidth 20175 16QAM Mode)

Frequency [MHz]	Generator output power(Pg) [dBm]	Cable loss [dB]	Antenna Gain [dB]	Spurious Emission Power (Pd) [dBm]	Antenna Polarization [H/V]
3465.0	-74.6	6.9	8.9	-72.6	H
5197.5	-72.3	5.8	9.9	-68.2	H
6930.0	-76.8	0.9	11.9	-65.8	H
8662.5	-73.0	0.9	11.2	-62.7	V
10395.0	-70.2	0.7	12.2	-58.7	V
12127.5	-71.9	0.6	12.2	-60.3	V

Test Data (10MHz bandwidth 20349 QPSK Mode)

Frequency [MHz]	Generator output power(Pg) [dBm]	Cable loss [dB]	Antenna Gain [dB]	Spurious Emission Power (Pd) [dBm]	Antenna Polarization [H/V]
3499.8	-66.5	7.0	8.9	-64.6	H
5249.7	-73.2	5.0	9.9	-68.3	H
6999.6	-76.3	0.9	11.9	-65.3	H
8749.5	-72.2	1.2	11.2	-62.2	V
10499.4	-68.8	0.6	12.2	-57.2	V
12249.3	-71.6	0.3	12.2	-59.7	V

Test Data (10MHz bandwidth 20349 16QAM Mode)

Frequency [MHz]	Generator output power(Pg) [dBm]	Cable loss [dB]	Antenna Gain [dB]	Spurious Emission Power (Pd) [dBm]	Antenna Polarization [H/V]
3499.8	-74.1	7.0	8.9	-72.2	H
5249.7	-73.2	5.0	9.9	-68.3	H

Chongqing Academy of Information and Communication Technology

Address: No. 8,Yuma Road, Chayuan New City, Nan'an District, Chongqing, P. R. China,401336
Tel: 0086-23-88069965 FAX:0086-23-88608777

Report No.: I21W00017-WWAN Rev2

6999.6	-76.1	0.9	11.9	-65.1	H
8749.5	-72.1	1.2	11.2	-62.1	V
10499.4	-69.5	0.6	12.2	-57.9	V
12249.3	-71.6	0.3	12.2	-59.7	V

Test Data (15MHz bandwidth 20025 QPSK Mode)

Frequency [MHz]	Generator output power(Pg) [dBm]	Cable loss [dB]	Antenna Gain [dB]	Spurious Emission Power (Pd) [dBm]	Antenna Polarization [H/V]
3435.0	-75.1	6.9	8.9	-73.1	H
5152.5	-71.7	6.3	9.9	-68.1	H
6870.0	-77.0	0.8	11.9	-65.9	H
8587.5	-72.8	0.9	11.2	-62.5	V
10305.0	-70.0	0.7	12.2	-58.5	V
12022.5	-72.3	0.6	12.2	-60.7	V

Test Data (15MHz bandwidth 20025 16QAM Mode)

Frequency [MHz]	Generator output power(Pg) [dBm]	Cable loss [dB]	Antenna Gain [dB]	Spurious Emission Power (Pd) [dBm]	Antenna Polarization [H/V]
3435.0	-75.1	6.9	8.9	-73.1	H
5152.5	-72.2	6.3	9.9	-68.6	H
6870.0	-76.8	0.8	11.9	-65.7	H
8587.5	-72.6	0.9	11.2	-62.3	V
10305.0	-69.7	0.7	12.2	-58.2	V
12022.5	-72.0	0.6	12.2	-60.4	V

Test Data (15MHz bandwidth 20175 QPSK Mode)

Frequency [MHz]	Generator output power(Pg) [dBm]	Cable loss [dB]	Antenna Gain [dB]	Spurious Emission Power (Pd) [dBm]	Antenna Polarization [H/V]
3465.0	-65.9	6.9	8.9	-63.9	H
5197.5	-72.9	6.3	9.9	-69.3	H

Chongqing Academy of Information and Communication Technology

Address: No. 8,Yuma Road, Chayuan New City, Nan'an District, Chongqing, P. R. China,401336
Tel: 0086-23-88069965 FAX:0086-23-88608777

Report No.: I21W00017-WWAN Rev2

6930.0	-76.5	0.8	11.9	-65.4	H
8662.5	-72.1	0.9	11.2	-61.8	V
10395.0	-69.0	0.7	12.2	-57.5	V
12127.5	-71.3	0.6	12.2	-59.7	V

Test Data (15MHz bandwidth 20175 16QAM Mode)

Frequency [MHz]	Generator output power(Pg) [dBm]	Cable loss [dB]	Antenna Gain [dB]	Spurious Emission Power (Pd) [dBm]	Antenna Polarization [H/V]
3465.0	-74.3	6.9	8.9	-72.3	H
5197.5	-72.6	5.8	9.9	-68.5	H
6930.0	-76.7	0.9	11.9	-65.7	H
8662.5	-72.4	0.9	11.2	-62.1	V
10395.0	-69.9	0.7	12.2	-58.4	V
12127.5	-71.0	0.6	12.2	-59.4	V

Test Data (15MHz bandwidth 20324 QPSK Mode)

Frequency [MHz]	Generator output power(Pg) [dBm]	Cable loss [dB]	Antenna Gain [dB]	Spurious Emission Power (Pd) [dBm]	Antenna Polarization [H/V]
3494.8	-65.7	7.0	8.9	-63.8	H
5242.2	-70.3	5.0	9.9	-65.4	H
6989.6	-75.8	1.2	11.9	-65.1	H
8737.0	-71.4	1.2	11.2	-61.4	V
10484.4	-69.1	0.3	12.2	-57.2	V
12231.8	-71.6	0.3	12.2	-59.7	V

Test Data (15MHz bandwidth 20324 16QAM Mode)

Frequency [MHz]	Generator output power(Pg) [dBm]	Cable loss [dB]	Antenna Gain [dB]	Spurious Emission Power (Pd) [dBm]	Antenna Polarization [H/V]
3494.8	-73.9	7.0	8.9	-72.0	H
5242.2	-73.2	5.0	9.9	-68.3	H

Chongqing Academy of Information and Communication Technology

Address: No. 8,Yuma Road, Chayuan New City, Nan'an District, Chongqing, P. R. China,401336
Tel: 0086-23-88069965 FAX:0086-23-88608777

Report No.: I21W00017-WWAN Rev2

6989.6	-75.8	1.2	11.9	-65.1	H
8737.0	-71.9	1.2	11.2	-61.9	V
10484.4	-69.8	0.3	12.2	-57.9	V
12231.8	-71.6	0.3	12.2	-59.7	V

Test Data (20MHz bandwidth 20050 QPSK Mode)

Frequency [MHz]	Generator output power(Pg) [dBm]	Cable loss [dB]	Antenna Gain [dB]	Spurious Emission Power (Pd) [dBm]	Antenna Polarization [H/V]
3440.0	-59.5	6.9	8.9	-57.5	H
5160.0	-70.3	6.3	9.9	-66.7	H
6880.0	-75.6	0.8	11.9	-64.5	H
8600.0	-72.9	0.9	11.2	-62.6	V
10320.0	-69.7	0.7	12.2	-58.2	V
12040.0	-72.2	0.6	12.2	-60.6	V

Test Data (20MHz bandwidth 20050 16QAM Mode)

Frequency [MHz]	Generator output power(Pg) [dBm]	Cable loss [dB]	Antenna Gain [dB]	Spurious Emission Power (Pd) [dBm]	Antenna Polarization [H/V]
3440.0	-74.7	6.9	8.9	-72.7	H
5160.0	-72.3	6.3	9.9	-68.7	H
6880.0	-76.8	0.8	11.9	-65.7	H
8600.0	-72.5	0.9	11.2	-62.2	V
10320.0	-70.0	0.7	12.2	-58.5	V
12040.0	-72.2	0.6	12.2	-60.6	V

Test Data (20MHz bandwidth 20175 QPSK Mode)

Frequency [MHz]	Generator output power(Pg) [dBm]	Cable loss [dB]	Antenna Gain [dB]	Spurious Emission Power (Pd) [dBm]	Antenna Polarization [H/V]
3465.0	-62.4	6.9	8.9	-60.4	H
5197.5	-70.1	5.8	9.9	-66.0	H

Chongqing Academy of Information and Communication Technology

Address: No. 8,Yuma Road, Chayuan New City, Nan'an District, Chongqing, P. R. China,401336
Tel: 0086-23-88069965 FAX:0086-23-88608777

Report No.: I21W00017-WWAN Rev2

6930.0	-74.7	0.9	11.9	-63.7	H
8662.5	-73.2	0.9	11.2	-62.9	V
10395.0	-69.6	0.7	12.2	-58.1	V
12127.5	-72.2	0.6	12.2	-60.6	V

Test Data (20MHz bandwidth 20175 16QAM Mode)

Frequency [MHz]	Generator output power(Pg) [dBm]	Cable loss [dB]	Antenna Gain [dB]	Spurious Emission Power (Pd) [dBm]	Antenna Polarization [H/V]
3465.0	-74.3	6.9	8.9	-72.3	H
5197.5	-72.5	5.8	9.9	-68.4	H
6930.0	-76.7	0.9	11.9	-65.7	H
8662.5	-72.4	0.9	11.2	-62.1	V
10395.0	-68.7	0.7	12.2	-57.2	V
12127.5	-71.1	0.6	12.2	-59.5	V

Test Data (20MHz bandwidth 20299 QPSK Mode)

Frequency [MHz]	Generator output power(Pg) [dBm]	Cable loss [dB]	Antenna Gain [dB]	Spurious Emission Power (Pd) [dBm]	Antenna Polarization [H/V]
3489.8	-63.1	7.0	8.9	-61.2	H
5234.7	-70.1	5.0	9.9	-65.2	H
6979.6	-76.1	0.9	11.9	-65.1	H
8724.5	-71.5	1.2	11.2	-61.5	V
10469.4	-69.0	0.3	12.2	-57.1	V
12214.3	-71.6	0.3	12.2	-59.7	V

Test Data (20MHz bandwidth 20299 16QAM Mode)

Frequency [MHz]	Generator output power(Pg) [dBm]	Cable loss [dB]	Antenna Gain [dB]	Spurious Emission Power (Pd) [dBm]	Antenna Polarization [H/V]
3489.8	-74.1	7.0	8.9	-72.2	H
5234.7	-73.4	5.0	9.9	-68.5	H

Chongqing Academy of Information and Communication Technology

Address: No. 8,Yuma Road, Chayuan New City, Nan'an District, Chongqing, P. R. China,401336
Tel: 0086-23-88069965 FAX:0086-23-88608777

Report No.: I21W00017-WWAN Rev2

6979.6	-76.4	0.9	11.9	-65.4	H
8724.5	-71.9	1.2	11.2	-61.9	V
10469.4	-69.8	0.3	12.2	-57.9	V
12214.3	-71.6	0.3	12.2	-59.7	V

CAT_M B5 Radiated Spurious Emission Results

Test Data (1.4MHz bandwidth 20407 QPSK Mode)

Frequency [MHz]	Generator output power(Pg) [dBm]	Cable loss [dB]	Antenna Gain [dB]	Spurious Emission Power (Pd) [dBm]	Antenna Polarization [H/V]
1649.4	-58.1	4.7	7.3	-55.5	H
2474.1	-56.9	6.0	6.8	-56.1	V
3298.8	-74.9	6.7	8.9	-72.7	V
4123.5	-72.4	7.6	9.2	-70.8	V
4948.2	-70.3	7.7	9.9	-68.1	V
5772.9	-77.6	1.4	10.5	-68.5	H

Test Data (1.4MHz bandwidth 20407 16QAM Mode)

Frequency [MHz]	Generator output power(Pg) [dBm]	Cable loss [dB]	Antenna Gain [dB]	Spurious Emission Power (Pd) [dBm]	Antenna Polarization [H/V]
1649.4	-63.8	4.7	7.3	-61.2	H
2474.1	-56.4	6.0	6.8	-55.6	V
3298.8	-74.8	6.7	8.9	-72.6	H
4123.5	-72.9	7.6	9.2	-71.3	H
4948.2	-70.4	7.7	9.9	-68.2	V
5772.9	-77.6	1.4	10.5	-68.5	H

Test Data (1.4MHz bandwidth 20525 QPSK Mode)

Frequency [MHz]	Generator output power(Pg) [dBm]	Cable loss [dB]	Antenna Gain [dB]	Spurious Emission Power (Pd) [dBm]	Antenna Polarization [H/V]
-----------------	----------------------------------	-----------------	-------------------	------------------------------------	----------------------------

Chongqing Academy of Information and Communication Technology

Address: No. 8,Yuma Road, Chayuan New City, Nan'an District, Chongqing, P. R. China,401336
Tel: 0086-23-88069965 FAX:0086-23-88608777

Report No.: I21W00017-WWAN Rev2

1673.0	-57.6	4.7	7.3	-55.0	V
2509.5	-58.3	5.9	6.7	-57.5	H
3346.0	-75.2	6.8	8.9	-73.1	H
4182.5	-71.9	7.8	9.2	-70.5	H
5019.0	-70.4	7.5	9.9	-68.0	V
5855.5	-77.8	1.1	10.5	-68.4	H

Test Data (1.4MHz bandwidth 20525 16QAM Mode)

Frequency [MHz]	Generator output power(Pg) [dBm]	Cable loss [dB]	Antenna Gain [dB]	Spurious Emission Power (Pd) [dBm]	Antenna Polarization [H/V]
1673.0	-53.0	4.7	7.3	-50.4	V
2509.5	-58.9	5.9	6.7	-58.1	H
3346.0	-74.9	6.8	8.9	-72.8	H
4182.5	-71.8	7.8	9.2	-70.4	V
5019.0	-70.7	7.5	9.9	-68.3	H
5855.5	-77.5	1.1	10.5	-68.1	V

Test Data (1.4MHz bandwidth 20642 QPSK Mode)

Frequency [MHz]	Generator output power(Pg) [dBm]	Cable loss [dB]	Antenna Gain [dB]	Spurious Emission Power (Pd) [dBm]	Antenna Polarization [H/V]
1696.4	-52.5	4.8	7.9	-49.4	H
2544.6	-58.9	5.9	6.9	-57.9	V
3392.8	-75.2	6.9	8.9	-73.2	H
4241.0	-72.4	7.8	9.2	-71.0	V
5089.2	-71.3	6.8	9.9	-68.2	H
5937.4	-77.4	1.4	10.9	-67.9	V

Test Data (1.4MHz bandwidth 20642 16QAM Mode)

Frequency [MHz]	Generator output power(Pg) [dBm]	Cable loss [dB]	Antenna Gain [dB]	Spurious Emission Power (Pd) [dBm]	Antenna Polarization [H/V]
-----------------	----------------------------------	-----------------	-------------------	------------------------------------	----------------------------

Chongqing Academy of Information and Communication Technology

Address: No. 8,Yuma Road, Chayuan New City, Nan'an District, Chongqing, P. R. China,401336
Tel: 0086-23-88069965 FAX:0086-23-88608777

Report No.: I21W00017-WWAN Rev2

1696.4	-62.1	4.8	7.9	-59.0	V
2544.6	-58.8	5.9	6.9	-57.8	H
3392.8	-74.7	6.9	8.9	-72.7	H
4241.0	-72.5	7.8	9.2	-71.1	V
5089.2	-70.5	6.8	9.9	-67.4	H
5937.4	-77.4	1.4	10.9	-67.9	H

Test Data (3MHz bandwidth 20415 QPSK Mode)

Frequency [MHz]	Generator output power(Pg) [dBm]	Cable loss [dB]	Antenna Gain [dB]	Spurious Emission Power (Pd) [dBm]	Antenna Polarization [H/V]
1651.0	-52.9	4.8	7.9	-49.8	H
2476.5	-58.2	5.9	6.9	-57.2	H
3302.0	-74.4	6.9	8.9	-72.4	V
4127.5	-71.9	7.8	9.2	-70.5	H
4953.0	-71.5	6.8	9.9	-68.4	H
5778.5	-77.7	1.4	10.9	-68.2	V

Test Data (3MHz bandwidth 20415 16QAM Mode)

Frequency [MHz]	Generator output power(Pg) [dBm]	Cable loss [dB]	Antenna Gain [dB]	Spurious Emission Power (Pd) [dBm]	Antenna Polarization [H/V]
1651.0	-67.6	4.8	7.9	-64.5	V
2476.5	-58.2	5.9	6.9	-57.2	H
3302.0	-74.1	6.9	8.9	-72.1	H
4127.5	-72.3	7.8	9.2	-70.9	H
4953.0	-71.2	6.8	9.9	-68.1	V
5778.5	-78.0	1.4	10.9	-68.5	H

Test Data (3MHz bandwidth 20525 QPSK Mode)

Frequency [MHz]	Generator output power(Pg) [dBm]	Cable loss [dB]	Antenna Gain [dB]	Spurious Emission Power (Pd) [dBm]	Antenna Polarization [H/V]
-----------------	----------------------------------	-----------------	-------------------	------------------------------------	----------------------------

Chongqing Academy of Information and Communication Technology

Address: No. 8,Yuma Road, Chayuan New City, Nan'an District, Chongqing, P. R. China,401336
Tel: 0086-23-88069965 FAX:0086-23-88608777

Report No.: I21W00017-WWAN Rev2

1673.0	-65.5	4.7	7.3	-62.9	H
2509.5	-58.5	5.9	6.7	-57.7	H
3346.0	-74.9	6.8	8.9	-72.8	V
4182.5	-71.9	7.8	9.2	-70.5	H
5019.0	-69.9	7.5	9.9	-67.5	H
5855.5	-77.6	1.1	10.5	-68.2	V

Test Data (3MHz bandwidth 20525 16QAM Mode)

Frequency [MHz]	Generator output power(Pg) [dBm]	Cable loss [dB]	Antenna Gain [dB]	Spurious Emission Power (Pd) [dBm]	Antenna Polarization [H/V]
1673.0	-56.7	4.7	7.3	-54.1	V
2509.5	-59.0	5.9	6.7	-58.2	H
3346.0	-74.5	6.8	8.9	-72.4	H
4182.5	-72.0	7.8	9.2	-70.6	H
5019.0	-70.0	7.5	9.9	-67.6	V
5855.5	-77.6	1.1	10.5	-68.2	H

Test Data (3MHz bandwidth 20634 QPSK Mode)

Frequency [MHz]	Generator output power(Pg) [dBm]	Cable loss [dB]	Antenna Gain [dB]	Spurious Emission Power (Pd) [dBm]	Antenna Polarization [H/V]
1694.8	-53.2	4.8	8.0	-50.0	H
2542.2	-58.8	5.9	6.9	-57.8	V
3389.6	-74.5	6.9	8.9	-72.5	H
4237.0	-72.1	7.8	9.2	-70.7	H
5084.4	-71.0	6.8	9.9	-67.9	V
5931.8	-77.0	1.4	10.9	-67.5	H

Test Data (3MHz bandwidth 20634 16QAM Mode)

Frequency [MHz]	Generator output power(Pg) [dBm]	Cable loss [dB]	Antenna Gain [dB]	Spurious Emission Power (Pd) [dBm]	Antenna Polarization [H/V]
-----------------	----------------------------------	-----------------	-------------------	------------------------------------	----------------------------

Chongqing Academy of Information and Communication Technology

Address: No. 8,Yuma Road, Chayuan New City, Nan'an District, Chongqing, P. R. China,401336
Tel: 0086-23-88069965 FAX:0086-23-88608777

Report No.: I21W00017-WWAN Rev2

1694.8	-66.5	4.8	8.0	-63.3	H
2542.2	-58.8	5.9	6.9	-57.8	H
3389.6	-74.7	6.9	8.9	-72.7	H
4237.0	-71.7	7.8	9.2	-70.3	V
5084.4	-70.4	6.8	9.9	-67.3	H
5931.8	-77.4	1.4	10.9	-67.9	H

Test Data (5MHz bandwidth 20425 QPSK Mode)

Frequency [MHz]	Generator output power(Pg) [dBm]	Cable loss [dB]	Antenna Gain [dB]	Spurious Emission Power (Pd) [dBm]	Antenna Polarization [H/V]
1653.0	-50.6	4.8	7.3	-48.1	H
2479.5	-58.1	5.9	6.6	-57.4	H
3306.0	-74.3	6.8	8.9	-72.2	V
4132.5	-71.9	7.6	9.2	-70.3	H
4959.0	-70.9	7.5	9.9	-68.5	V
5785.5	-77.5	1.4	10.5	-68.4	V

Test Data (5MHz bandwidth 20425 16QAM Mode)

Frequency [MHz]	Generator output power(Pg) [dBm]	Cable loss [dB]	Antenna Gain [dB]	Spurious Emission Power (Pd) [dBm]	Antenna Polarization [H/V]
1653.0	-54.8	4.8	7.3	-52.3	V
2479.5	-58.3	5.9	6.6	-57.6	H
3306.0	-74.5	6.8	8.9	-72.4	H
4132.5	-71.9	7.6	9.2	-70.3	V
4959.0	-70.2	7.5	9.9	-67.8	V
5785.5	-77.3	1.4	10.5	-68.2	H

Test Data (5MHz bandwidth 20525 QPSK Mode)

Frequency [MHz]	Generator output power(Pg) [dBm]	Cable loss [dB]	Antenna Gain [dB]	Spurious Emission Power (Pd) [dBm]	Antenna Polarization [H/V]
-----------------	----------------------------------	-----------------	-------------------	------------------------------------	----------------------------

Chongqing Academy of Information and Communication Technology

Address: No. 8,Yuma Road, Chayuan New City, Nan'an District, Chongqing, P. R. China,401336
Tel: 0086-23-88069965 FAX:0086-23-88608777

Report No.: I21W00017-WWAN Rev2

1673.0	-68.5	4.7	7.3	-65.9	H
2509.5	-58.9	5.9	6.7	-58.1	V
3346.0	-74.5	6.8	8.9	-72.4	H
4182.5	-72.1	7.8	9.2	-70.7	H
5019.0	-70.4	7.5	9.9	-68.0	V
5855.5	-77.2	1.1	10.5	-67.8	H

Test Data (5MHz bandwidth 20525 16QAM Mode)

Frequency [MHz]	Generator output power(Pg) [dBm]	Cable loss [dB]	Antenna Gain [dB]	Spurious Emission Power (Pd) [dBm]	Antenna Polarization [H/V]
1673.0	-52.6	4.7	7.3	-50.0	H
2509.5	-58.9	5.9	6.7	-58.1	H
3346.0	-74.8	6.8	8.9	-72.7	V
4182.5	-72.1	7.8	9.2	-70.7	H
5019.0	-70.3	7.5	9.9	-67.9	V
5855.5	-77.3	1.1	10.5	-67.9	H

Test Data (5MHz bandwidth 20624 QPSK Mode)

Frequency [MHz]	Generator output power(Pg) [dBm]	Cable loss [dB]	Antenna Gain [dB]	Spurious Emission Power (Pd) [dBm]	Antenna Polarization [H/V]
1692.8	-63.9	4.8	8.0	-60.7	H
2539.2	-58.8	5.9	6.9	-57.8	V
3385.6	-74.7	6.9	8.9	-72.7	H
4232.0	-71.9	7.8	9.2	-70.5	V
5078.4	-71.3	6.8	9.9	-68.2	H
5924.8	-77.2	1.4	10.9	-67.7	V

Test Data (5MHz bandwidth 20624 16QAM Mode)

Frequency [MHz]	Generator output power(Pg) [dBm]	Cable loss [dB]	Antenna Gain [dB]	Spurious Emission Power (Pd) [dBm]	Antenna Polarization [H/V]
-----------------	----------------------------------	-----------------	-------------------	------------------------------------	----------------------------

Chongqing Academy of Information and Communication Technology

Address: No. 8,Yuma Road, Chayuan New City, Nan'an District, Chongqing, P. R. China,401336
 Tel: 0086-23-88069965 FAX:0086-23-88608777

Report No.: I21W00017-WWAN Rev2

1692.8	-60.1	4.8	8.0	-56.9	V
2539.2	-58.8	5.9	6.9	-57.8	H
3385.6	-74.7	6.9	8.9	-72.7	H
4232.0	-73.2	7.8	9.2	-71.8	V
5078.4	-71.4	6.8	9.9	-68.3	V
5924.8	-77.4	1.4	10.9	-67.9	H

Test Data (10MHz bandwidth 20450 QPSK Mode)

Frequency [MHz]	Generator output power(Pg) [dBm]	Cable loss [dB]	Antenna Gain [dB]	Spurious Emission Power (Pd) [dBm]	Antenna Polarization [H/V]
1658.0	-55.6	4.8	7.6	-52.8	H
2487.0	-58.7	5.9	6.6	-58.0	V
3316.0	-74.5	6.8	8.9	-72.4	H
4145.0	-71.3	7.6	9.2	-69.7	H
4974.0	-70.5	7.5	9.9	-68.1	V
5803.0	-77.8	1.4	10.9	-68.3	H

Test Data (10MHz bandwidth 20450 16QAM Mode)

Frequency [MHz]	Generator output power(Pg) [dBm]	Cable loss [dB]	Antenna Gain [dB]	Spurious Emission Power (Pd) [dBm]	Antenna Polarization [H/V]
1658.0	-54.1	4.8	7.6	-51.3	V
2487.0	-57.0	5.9	6.6	-56.3	H
3316.0	-74.5	6.8	8.9	-72.4	H
4145.0	-71.9	7.6	9.2	-70.3	V
4974.0	-70.4	7.5	9.9	-68.0	H
5803.0	-77.6	1.4	10.9	-68.1	H

Test Data (10MHz bandwidth 20525 QPSK Mode)

Frequency [MHz]	Generator output power(Pg) [dBm]	Cable loss [dB]	Antenna Gain [dB]	Spurious Emission Power (Pd) [dBm]	Antenna Polarization [H/V]
-----------------	----------------------------------	-----------------	-------------------	------------------------------------	----------------------------

Chongqing Academy of Information and Communication Technology

Address: No. 8,Yuma Road, Chayuan New City, Nan'an District, Chongqing, P. R. China,401336
Tel: 0086-23-88069965 FAX:0086-23-88608777

Report No.: I21W00017-WWAN Rev2

1673.0	-52.8	4.7	7.3	-50.2	H
2509.5	-58.9	5.9	6.7	-58.1	V
3346.0	-74.8	6.8	8.9	-72.7	H
4182.5	-71.6	7.8	9.2	-70.2	H
5019.0	-69.6	7.5	9.9	-67.2	V
5855.5	-77.6	1.1	10.5	-68.2	V

Test Data (10MHz bandwidth 20525 16QAM Mode)

Frequency [MHz]	Generator output power(Pg) [dBm]	Cable loss [dB]	Antenna Gain [dB]	Spurious Emission Power (Pd) [dBm]	Antenna Polarization [H/V]
1673.0	-62.8	4.7	7.3	-60.2	V
2509.5	-58.9	5.9	6.7	-58.1	H
3346.0	-74.5	6.8	8.9	-72.4	H
4182.5	-71.6	7.8	9.2	-70.2	V
5019.0	-70.6	7.5	9.9	-68.2	V
5855.5	-77.3	1.1	10.5	-67.9	H

Test Data (10MHz bandwidth 20599 QPSK Mode)

Frequency [MHz]	Generator output power(Pg) [dBm]	Cable loss [dB]	Antenna Gain [dB]	Spurious Emission Power (Pd) [dBm]	Antenna Polarization [H/V]
1687.8	-66.0	4.8	8.1	-62.7	H
2531.7	-58.8	5.9	6.9	-57.8	H
3375.6	-74.8	6.8	8.9	-72.7	V
4219.5	-72.3	7.8	9.2	-70.9	V
5063.4	-69.9	7.1	9.9	-67.1	V
5907.3	-77.6	1.4	10.9	-68.1	H

Test Data (10MHz bandwidth 20599 16QAM Mode)

Frequency [MHz]	Generator output power(Pg) [dBm]	Cable loss [dB]	Antenna Gain [dB]	Spurious Emission Power (Pd) [dBm]	Antenna Polarization [H/V]
-----------------	----------------------------------	-----------------	-------------------	------------------------------------	----------------------------

Chongqing Academy of Information and Communication Technology

Address: No. 8,Yuma Road, Chayuan New City, Nan'an District, Chongqing, P. R. China,401336
Tel: 0086-23-88069965 FAX:0086-23-88608777

Report No.: I21W00017-WWAN Rev2

1687.8	-69.1	4.8	8.1	-65.8	V
2531.7	-58.8	5.9	6.9	-57.8	H
3375.6	-75.2	6.8	8.9	-73.1	H
4219.5	-72.4	7.8	9.2	-71.0	V
5063.4	-70.9	7.1	9.9	-68.1	H
5907.3	-77.7	1.4	10.9	-68.2	V

CAT_M B12 Radiated Spurious Emission Results

Test Data (1.4MHz bandwidth 23017 QPSK Mode)

Frequency [MHz]	Generator output power(Pg) [dBm]	Cable loss [dB]	Antenna Gain [dB]	Spurious Emission Power (Pd) [dBm]	Antenna Polarization [H/V]
1398.0	-65.3	4.4	7.8	-61.9	V
2097.0	-55.5	5.4	8.3	-52.6	H
2796.0	-57.1	6.2	7.9	-55.4	H
3495.0	-74.1	7.0	8.9	-72.2	H
4194.0	-72.2	7.8	9.2	-70.8	H
4893.0	-70.3	7.8	9.9	-68.2	H

Test Data (1.4MHz bandwidth 23017 16QAM Mode)

Frequency [MHz]	Generator output power(Pg) [dBm]	Cable loss [dB]	Antenna Gain [dB]	Spurious Emission Power (Pd) [dBm]	Antenna Polarization [H/V]
1398.0	-60.4	4.4	7.8	-57.0	H
2097.0	-58.7	5.4	8.3	-55.8	H
2796.0	-57.4	6.2	7.9	-55.7	H
3495.0	-73.7	7.0	8.9	-71.8	V
4194.0	-71.1	7.8	9.2	-69.7	H
4893.0	-70.5	7.8	9.9	-68.4	H

Test Data (1.4MHz bandwidth 23095 QPSK Mode)

Frequency	Generator output	Cable loss	Antenna Gain	Spurious	Antenna
-----------	------------------	------------	--------------	----------	---------

Chongqing Academy of Information and Communication Technology

Address: No. 8,Yuma Road, Chayuan New City, Nan'an District, Chongqing, P. R. China,401336
Tel: 0086-23-88069965 FAX:0086-23-88608777

Report No.: I21W00017-WWAN Rev2

[MHz]	power(Pg) [dBm]	[dB]	[dB]	mission Power (Pd) [dBm]	Polarization [H/V]
1415.0	-66.3	4.4	8.3	-62.4	H
2122.5	-64.0	5.4	8.1	-61.3	H
2830.0	-56.6	6.3	7.5	-55.4	V
3537.5	-73.1	7.0	8.9	-71.2	H
4245.0	-72.3	7.8	9.2	-70.9	V
4952.5	-70.3	7.7	9.9	-68.1	H

Test Data (1.4MHz bandwidth 23095 16QAM Mode)

Frequency [MHz]	enerator output power(Pg) [dBm]	Cable loss [dB]	ntenna Gain [dB]	Spurious mission Power (Pd) [dBm]	Antenna Polarization [H/V]
1415.0	-71.2	4.4	8.3	-67.3	H
2122.5	-64.0	5.4	8.1	-61.3	H
2830.0	-56.8	6.3	7.5	-55.6	H
3537.5	-73.1	7.0	8.9	-71.2	V
4245.0	-72.2	7.8	9.2	-70.8	H
4952.5	-70.0	7.7	9.9	-67.8	H

Test Data (1.4MHz bandwidth 23172 QPSK Mode)

Frequency [MHz]	enerator output power(Pg) [dBm]	Cable loss [dB]	ntenna Gain [dB]	Spurious mission Power (Pd) [dBm]	Antenna Polarization [H/V]
1432.0	-69.8	4.4	8.2	-66.0	V
2148.0	-59.4	5.4	7.0	-57.8	V
2864.0	-56.9	6.5	8.0	-55.4	V
3580.0	-72.7	7.2	8.9	-71.0	H
4296.0	-72.0	7.8	9.5	-70.3	H
5012.0	-69.7	7.5	9.9	-67.3	V

Test Data (1.4MHz bandwidth 23172 16QAM Mode)

Frequency	enerator output	Cable loss	ntenna Gain	Spurious	Antenna
-----------	-----------------	------------	-------------	----------	---------

Chongqing Academy of Information and Communication Technology

Address: No. 8,Yuma Road, Chayuan New City, Nan'an District, Chongqing, P. R. China,401336
Tel: 0086-23-88069965 FAX:0086-23-88608777

Report No.: I21W00017-WWAN Rev2

[MHz]	power(Pg) [dBm]	[dB]	[dB]	mission Power (Pd) [dBm]	Polarization [H/V]
1432.0	-70.1	4.4	8.2	-66.3	H
2148.0	-58.9	5.4	7.0	-57.3	H
2864.0	-56.9	6.5	8.0	-55.4	H
3580.0	-73.6	7.2	8.9	-71.9	V
4296.0	-72.2	7.8	9.5	-70.5	H
5012.0	-69.8	7.5	9.9	-67.4	V

Test Data (3MHz bandwidth 23025 QPSK Mode)

Frequency [MHz]	generator output power(Pg) [dBm]	Cable loss [dB]	Antenna Gain [dB]	Spurious mission Power (Pd) [dBm]	Antenna Polarization [H/V]
1401.0	-56.1	4.4	7.8	-52.7	H
2101.5	-59.9	5.4	8.3	-57.0	V
2802.0	-57.3	6.2	8.0	-55.5	H
3502.5	-73.7	7.0	8.9	-71.8	H
4203.0	-72.2	7.8	9.2	-70.8	H
4903.5	-70.2	7.8	9.9	-68.1	V

Test Data (3MHz bandwidth 23025 16QAM Mode)

Frequency [MHz]	generator output power(Pg) [dBm]	Cable loss [dB]	Antenna Gain [dB]	Spurious mission Power (Pd) [dBm]	Antenna Polarization [H/V]
1401.0	-66.9	4.4	7.8	-63.5	H
2101.5	-58.0	5.4	8.3	-55.1	H
2802.0	-57.2	6.2	8.0	-55.4	V
3502.5	-73.7	7.0	8.9	-71.8	H
4203.0	-73.0	7.8	9.2	-71.6	V
4903.5	-70.9	7.8	9.9	-68.8	H

Test Data (3MHz bandwidth 23095 QPSK Mode)

Frequency	generator output	Cable loss	Antenna Gain	Spurious	Antenna
-----------	------------------	------------	--------------	----------	---------

Chongqing Academy of Information and Communication Technology

Address: No. 8,Yuma Road, Chayuan New City, Nan'an District, Chongqing, P. R. China,401336
Tel: 0086-23-88069965 FAX:0086-23-88608777

Report No.: I21W00017-WWAN Rev2

[MHz]	power(Pg) [dBm]	[dB]	[dB]	mission Power (Pd) [dBm]	Polarization [H/V]
1415.0	-60.7	4.4	8.3	-56.8	H
2122.5	-61.6	5.4	8.1	-58.9	H
2830.0	-56.9	6.3	7.5	-55.7	V
3537.5	-73.4	7.0	8.9	-71.5	H
4245.0	-72.3	7.8	9.2	-70.9	H
4952.5	-70.1	7.7	9.9	-67.9	V

Test Data (3MHz bandwidth 23095 16QAM Mode)

Frequency [MHz]	generator output power(Pg) [dBm]	Cable loss [dB]	Antenna Gain [dB]	Spurious mission Power (Pd) [dBm]	Antenna Polarization [H/V]
1415.0	-58.7	4.4	8.3	-54.8	V
2122.5	-61.3	5.4	8.1	-58.6	H
2830.0	-56.5	6.3	7.5	-55.3	H
3537.5	-73.3	7.0	8.9	-71.4	H
4245.0	-71.7	7.8	9.2	-70.3	V
4952.5	-70.3	7.7	9.9	-68.1	H

Test Data (3MHz bandwidth 23164 QPSK Mode)

Frequency [MHz]	generator output power(Pg) [dBm]	Cable loss [dB]	Antenna Gain [dB]	Spurious mission Power (Pd) [dBm]	Antenna Polarization [H/V]
1429.0	-70.2	4.4	8.3	-66.3	H
2143.5	-61.0	5.4	8.1	-58.3	H
2858.0	-56.6	6.3	7.5	-55.4	V
3572.5	-72.8	7.0	8.9	-70.9	H
4287.0	-72.0	7.8	9.2	-70.6	H
5001.5	-69.9	7.7	9.9	-67.7	V

Test Data (3MHz bandwidth 23164 16QAM Mode)

Frequency	generator output	Cable loss	Antenna Gain	Spurious	Antenna
-----------	------------------	------------	--------------	----------	---------

Chongqing Academy of Information and Communication Technology

Address: No. 8,Yuma Road, Chayuan New City, Nan'an District, Chongqing, P. R. China,401336
Tel: 0086-23-88069965 FAX:0086-23-88608777

Report No.: I21W00017-WWAN Rev2

[MHz]	power(Pg) [dBm]	[dB]	[dB]	mission Power (Pd) [dBm]	Polarization [H/V]
1429.0	-67.4	4.4	8.3	-63.5	H
2143.5	-56.1	5.4	6.6	-54.9	H
2858.0	-57.0	6.4	8.0	-55.4	H
3572.5	-72.5	7.2	8.9	-70.8	V
4287.0	-72.0	7.8	9.5	-70.3	H
5001.5	-69.6	7.5	9.9	-67.2	V

Test Data (5MHz bandwidth 23035 QPSK Mode)

Frequency [MHz]	generator output power(Pg) [dBm]	Cable loss [dB]	Antenna Gain [dB]	Spurious mission Power (Pd) [dBm]	Antenna Polarization [H/V]
1403.0	-62.4	4.4	8.3	-58.5	H
2104.5	-54.0	5.4	6.6	-52.8	H
2806.0	-57.0	6.4	8.0	-55.4	H
3507.5	-73.6	7.2	8.9	-71.9	V
4209.0	-72.3	7.8	9.5	-70.6	V
4910.5	-70.9	7.5	9.9	-68.5	H

Test Data (5MHz bandwidth 23035 16QAM Mode)

Frequency [MHz]	generator output power(Pg) [dBm]	Cable loss [dB]	Antenna Gain [dB]	Spurious mission Power (Pd) [dBm]	Antenna Polarization [H/V]
1403.0	-58.9	4.4	7.8	-55.5	H
2104.5	-64.6	5.4	8.3	-61.7	V
2806.0	-57.4	6.2	8.0	-55.6	H
3507.5	-73.8	7.0	8.9	-71.9	V
4209.0	-72.0	7.8	9.2	-70.6	H
4910.5	-71.0	7.8	9.9	-68.9	V

Test Data (5MHz bandwidth 23095 QPSK Mode)

Frequency	generator output	Cable loss	Antenna Gain	Spurious	Antenna
-----------	------------------	------------	--------------	----------	---------

Chongqing Academy of Information and Communication Technology

Address: No. 8,Yuma Road, Chayuan New City, Nan'an District, Chongqing, P. R. China,401336
Tel: 0086-23-88069965 FAX:0086-23-88608777

Report No.: I21W00017-WWAN Rev2

[MHz]	power(Pg) [dBm]	[dB]	[dB]	mission Power (Pd) [dBm]	Polarization [H/V]
1415.0	-66.3	4.4	8.3	-62.4	H
2122.5	-60.6	5.4	8.1	-57.9	H
2830.0	-56.8	6.3	7.5	-55.6	H
3537.5	-73.1	7.0	8.9	-71.2	H
4245.0	-72.7	7.8	9.2	-71.3	V
4952.5	-70.0	7.7	9.9	-67.8	H

Test Data (5MHz bandwidth 23095 16QAM Mode)

Frequency [MHz]	enerator output power(Pg) [dBm]	Cable loss [dB]	ntenna Gain [dB]	Spurious mission Power (Pd) [dBm]	Antenna Polarization [H/V]
1415.0	-64.9	4.4	8.3	-61.0	V
2122.5	-62.0	5.4	8.1	-59.3	H
2830.0	-56.5	6.3	7.5	-55.3	V
3537.5	-72.8	7.0	8.9	-70.9	H
4245.0	-72.0	7.8	9.2	-70.6	H
4952.5	-70.4	7.7	9.9	-68.2	H

Test Data (5MHz bandwidth 23154 QPSK Mode)

Frequency [MHz]	enerator output power(Pg) [dBm]	Cable loss [dB]	ntenna Gain [dB]	Spurious mission Power (Pd) [dBm]	Antenna Polarization [H/V]
1427.0	-67.7	4.4	8.3	-63.8	H
2140.5	-60.0	5.4	7.0	-58.4	H
2854.0	-57.0	6.4	8.0	-55.4	V
3567.5	-72.7	7.0	8.9	-70.8	H
4281.0	-72.6	7.8	9.5	-70.9	V
4994.5	-70.9	7.5	9.9	-68.5	H

Test Data (5MHz bandwidth 23154 16QAM Mode)

Frequency	enerator output	Cable loss	ntenna Gain	Spurious	Antenna
-----------	-----------------	------------	-------------	----------	---------

Chongqing Academy of Information and Communication Technology

Address: No. 8,Yuma Road, Chayuan New City, Nan'an District, Chongqing, P. R. China,401336
Tel: 0086-23-88069965 FAX:0086-23-88608777

Report No.: I21W00017-WWAN Rev2

[MHz]	power(Pg) [dBm]	[dB]	[dB]	mission Power (Pd) [dBm]	Polarization [H/V]
1427.0	-68.0	4.4	8.3	-64.1	H
2140.5	-56.5	5.4	7.0	-54.9	H
2854.0	-57.2	6.4	8.0	-55.6	V
3567.5	-72.8	7.0	8.9	-70.9	H
4281.0	-71.8	7.8	9.5	-70.1	V
4994.5	-70.6	7.5	9.9	-68.2	H

Test Data (10MHz bandwidth 23060 QPSK Mode)

Frequency [MHz]	generator output power(Pg) [dBm]	Cable loss [dB]	Antenna Gain [dB]	Spurious mission Power (Pd) [dBm]	Antenna Polarization [H/V]
1408.0	-62.6	4.4	7.8	-59.2	H
2112.0	-59.0	5.4	8.3	-56.1	V
2816.0	-56.6	6.3	7.5	-55.4	H
3520.0	-73.4	7.0	8.9	-71.5	V
4224.0	-71.7	7.8	9.2	-70.3	H
4928.0	-70.4	7.7	9.9	-68.2	V

Test Data (10MHz bandwidth 23060 16QAM Mode)

Frequency [MHz]	generator output power(Pg) [dBm]	Cable loss [dB]	Antenna Gain [dB]	Spurious mission Power (Pd) [dBm]	Antenna Polarization [H/V]
1408.0	-62.2	4.4	7.8	-58.8	H
2112.0	-55.3	5.4	8.3	-52.4	H
2816.0	-56.4	6.3	7.5	-55.2	V
3520.0	-73.4	7.0	8.9	-71.5	H
4224.0	-72.0	7.8	9.2	-70.6	H
4928.0	-70.1	7.7	9.9	-67.9	V

Test Data (10MHz bandwidth 23095 QPSK Mode)

Frequency	generator output	Cable loss	Antenna Gain	Spurious	Antenna
-----------	------------------	------------	--------------	----------	---------

Chongqing Academy of Information and Communication Technology

Address: No. 8,Yuma Road, Chayuan New City, Nan'an District, Chongqing, P. R. China,401336
Tel: 0086-23-88069965 FAX:0086-23-88608777

Report No.: I21W00017-WWAN Rev2

[MHz]	power(Pg) [dBm]	[dB]	[dB]	mission Power (Pd) [dBm]	Polarization [H/V]
1415.0	-56.0	4.4	8.3	-52.1	V
2122.5	-60.1	5.4	8.1	-57.4	H
2830.0	-56.6	6.3	7.5	-55.4	H
3537.5	-73.5	7.0	8.9	-71.6	V
4245.0	-72.3	7.8	9.2	-70.9	H
4952.5	-70.4	7.7	9.9	-68.2	H

Test Data (10MHz bandwidth 23095 16QAM Mode)

Frequency [MHz]	generator output power(Pg) [dBm]	Cable loss [dB]	Antenna Gain [dB]	Spurious mission Power (Pd) [dBm]	Antenna Polarization [H/V]
1415.0	-58.0	4.4	8.3	-54.1	H
2122.5	-60.0	5.4	8.1	-57.3	H
2830.0	-56.6	6.3	7.5	-55.4	V
3537.5	-73.0	7.0	8.9	-71.1	H
4245.0	-72.3	7.8	9.2	-70.9	V
4952.5	-70.5	7.7	9.9	-68.3	H

Test Data (10MHz bandwidth 23129 QPSK Mode)

Frequency [MHz]	generator output power(Pg) [dBm]	Cable loss [dB]	Antenna Gain [dB]	Spurious mission Power (Pd) [dBm]	Antenna Polarization [H/V]
1422.0	-66.3	4.4	8.3	-62.4	V
2133.0	-56.0	5.4	7.0	-54.4	H
2844.0	-57.2	6.3	8.2	-55.3	H
3555.0	-72.9	7.0	8.9	-71.0	V
4266.0	-72.3	7.8	9.5	-70.6	H
4977.0	-71.5	7.5	9.9	-69.1	H

Test Data (10MHz bandwidth 23129 16QAM Mode)

Frequency	generator output	Cable loss	Antenna Gain	Spurious	Antenna
-----------	------------------	------------	--------------	----------	---------

Chongqing Academy of Information and Communication Technology

Address: No. 8,Yuma Road, Chayuan New City, Nan'an District, Chongqing, P. R. China,401336
Tel: 0086-23-88069965 FAX:0086-23-88608777

Report No.: I21W00017-WWAN Rev2

[MHz]	power(Pg) [dBm]	[dB]	[dB]	mission Power (Pd) [dBm]	Polarization [H/V]
1422.0	-65.4	4.4	8.3	-61.5	H
2133.0	-56.9	5.4	7.0	-55.3	H
2844.0	-57.3	6.3	8.2	-55.4	H
3555.0	-73.0	7.0	8.9	-71.1	V
4266.0	-72.2	7.8	9.5	-70.5	H
4977.0	-70.8	7.5	9.9	-68.4	H

CAT_M B13 Radiated Spurious Emission Results

Test Data (5MHz bandwidth 23205 QPSK Mode)

Frequency [MHz]	enerator output power(Pg) [dBm]	Cable loss [dB]	ntenna Gain [dB]	Spurious mission Power (Pd) [dBm]	Antenna Polarization [H/V]
1559.0	-63.4	4.6	8.5	-59.5	H
2338.5	-58.2	5.6	6.6	-57.2	H
3118.0	-72.9	6.6	8.9	-70.6	H
3897.5	-72.4	7.4	9.2	-70.6	H
4677.0	-69.9	8.1	9.5	-68.5	H
5456.5	-76.3	2.9	10.5	-68.7	H

Test Data (5MHz bandwidth 23205 16QAM Mode)

Frequency [MHz]	enerator output power(Pg) [dBm]	Cable loss [dB]	ntenna Gain [dB]	Spurious mission Power (Pd) [dBm]	Antenna Polarization [H/V]
1559.0	-63.4	4.6	8.5	-59.5	V
2338.5	-59.1	5.6	6.6	-58.1	H
3118.0	-72.6	6.6	8.9	-70.3	H
3897.5	-73.8	7.4	9.2	-72.0	H
4677.0	-69.9	8.1	9.5	-68.5	H

Chongqing Academy of Information and Communication Technology

Address: No. 8,Yuma Road, Chayuan New City, Nan'an District, Chongqing, P. R. China,401336
Tel: 0086-23-88069965 FAX:0086-23-88608777

Report No.: I21W00017-WWAN Rev2

5456.5	-76.3	2.9	10.5	-68.7	H
--------	-------	-----	------	-------	---

Test Data (5MHz bandwidth 23230 QPSK Mode)

Frequency [MHz]	Generator output power(Pg) [dBm]	Cable loss [dB]	Antenna Gain [dB]	Spurious emission Power (Pd) [dBm]	Antenna Polarization [H/V]
1564.0	-68.3	4.6	8.5	-64.4	H
2346.0	-60.6	5.6	8.1	-58.1	H
3128.0	-72.9	6.6	8.9	-70.6	V
3910.0	-73.0	7.5	9.2	-71.3	H
4692.0	-70.5	8.1	9.5	-69.1	H
5474.0	-76.4	2.9	10.5	-68.8	V

Test Data (5MHz bandwidth 23230 16QAM Mode)

Frequency [MHz]	Generator output power(Pg) [dBm]	Cable loss [dB]	Antenna Gain [dB]	Spurious emission Power (Pd) [dBm]	Antenna Polarization [H/V]
1564.0	-63.6	4.6	8.5	-59.7	V
2346.0	-61.0	5.6	8.1	-58.5	H
3128.0	-73.1	6.6	8.9	-70.8	H
3910.0	-73.0	7.5	9.2	-71.3	H
4692.0	-70.6	8.1	9.5	-69.2	H
5474.0	-76.5	2.9	10.5	-68.9	H

Test Data (5MHz bandwidth 23254 QPSK Mode)

Frequency [MHz]	Generator output power(Pg) [dBm]	Cable loss [dB]	Antenna Gain [dB]	Spurious emission Power (Pd) [dBm]	Antenna Polarization [H/V]
1571.0	-66.3	4.6	9.1	-61.8	H
2356.5	-60.1	5.7	7.4	-58.4	H
3142.0	-72.7	6.5	8.9	-70.3	V
3927.5	-72.6	7.5	9.2	-70.9	H
4713.0	-69.9	8.1	9.5	-68.5	H

Chongqing Academy of Information and Communication Technology

Address: No. 8,Yuma Road, Chayuan New City, Nan'an District, Chongqing, P. R. China,401336
Tel: 0086-23-88069965 FAX:0086-23-88608777

Report No.: I21W00017-WWAN Rev2

5498.5	-76.7	2.5	10.5	-68.7	H
--------	-------	-----	------	-------	---

Test Data (5MHz bandwidth 23254 16QAM Mode)

Frequency [MHz]	Generator output power(Pg) [dBm]	Cable loss [dB]	Antenna Gain [dB]	Spurious emission Power (Pd) [dBm]	Antenna Polarization [H/V]
1571.0	-70.5	4.6	9.1	-66.0	H
2356.5	-60.5	5.7	7.4	-58.8	H
3142.0	-73.0	6.5	8.9	-70.6	V
3927.5	-73.6	7.5	9.2	-71.9	H
4713.0	-69.9	8.1	9.5	-68.5	H
5498.5	-77.4	2.5	10.5	-69.4	H

Test Data (10MHz bandwidth 23230 QPSK Mode)

Frequency [MHz]	Generator output power(Pg) [dBm]	Cable loss [dB]	Antenna Gain [dB]	Spurious emission Power (Pd) [dBm]	Antenna Polarization [H/V]
1564.0	-63.7	4.6	8.5	-59.8	H
2346.0	-61.0	5.6	8.1	-58.5	V
3128.0	-73.2	6.6	8.9	-70.9	H
3910.0	-72.9	7.5	9.2	-71.2	H
4692.0	-70.8	8.1	9.5	-69.4	H
5474.0	-76.7	2.9	10.5	-69.1	V

Test Data (10MHz bandwidth 23230 16QAM Mode)

Frequency [MHz]	Generator output power(Pg) [dBm]	Cable loss [dB]	Antenna Gain [dB]	Spurious emission Power (Pd) [dBm]	Antenna Polarization [H/V]
1564.0	-64.0	4.6	8.5	-60.1	V
2346.0	-60.6	5.6	8.1	-58.1	H
3128.0	-72.6	6.6	8.9	-70.3	H
3910.0	-72.9	7.5	9.2	-71.2	H
4692.0	-70.5	8.1	9.5	-69.1	H

Chongqing Academy of Information and Communication Technology

Address: No. 8,Yuma Road, Chayuan New City, Nan'an District, Chongqing, P. R. China,401336
Tel: 0086-23-88069965 FAX:0086-23-88608777

Report No.: I21W00017-WWAN Rev2

5474.0	-76.8	2.9	10.5	-69.2	H
--------	-------	-----	------	-------	---

PCS1900 GMSK Radiated Spurious Emission Results

Test Data (GMSK Mode channel 512)

Frequency [MHz]	Generator output power(Pg) [dBm]	Cable loss [dB]	Antenna Gain [dB]	Spurious Emission Power (Pd) [dBm]	Antenna Polarization [H/V]
3700.4	-67.9	7.2	8.9	-66.2	H
5550.6	-77.6	2.0	10.5	-69.1	V
7400.8	-75.5	0.9	11.9	-64.5	H
9251.0	-70.5	1.0	11.5	-60.0	V
11101.2	-70.6	0.3	12.1	-58.8	V
12951.4	-71.3	0.4	12.4	-59.3	V

Test Data (GMSK Mode channel 661)

Frequency [MHz]	Generator output power(Pg) [dBm]	Cable loss [dB]	Antenna Gain [dB]	Spurious Emission Power (Pd) [dBm]	Antenna Polarization [H/V]
3760.0	-66.3	7.3	8.9	-64.7	H
5640.0	-77.8	1.8	10.5	-69.1	H
7520.0	-75.5	0.9	11.9	-64.5	H
9400.0	-71.1	0.8	11.8	-60.1	V
11280.0	-71.2	0.3	12.1	-59.4	V
13160.0	-70.9	0.4	12.4	-58.9	V

Test Data (GMSK Mode channel 810)

Frequency [MHz]	Generator output power(Pg) [dBm]	Cable loss [dB]	Antenna Gain [dB]	Spurious Emission Power (Pd) [dBm]	Antenna Polarization [H/V]
3819.6	-71.1	7.4	9.2	-69.3	H
5729.4	-78.1	1.5	10.5	-69.1	V
7639.2	-76.1	1.1	11.9	-65.3	H

Chongqing Academy of Information and Communication Technology

Address: No. 8,Yuma Road, Chayuan New City, Nan'an District, Chongqing, P. R. China,401336
Tel: 0086-23-88069965 FAX:0086-23-88608777

Report No.: I21W00017-WWAN Rev2

9549.0	-71.4	0.9	11.8	-60.5	V
11458.8	-70.8	0.8	12.2	-59.4	V
13368.6	-71.1	0.4	12.4	-59.1	V



Report No.: I21W00017-WWAN_Rev2

Annex A EUT Photos

See the document "PA32-External Photos".

See the document "PA32-Internal Photos".

Chongqing Academy of Information and Communication Technology

Address: No. 8, Yuma Road, Chayuan New City, Nan'an District, Chongqing, P. R. China, 401336
Tel: 0086-23-88069965 FAX: 0086-23-88608777



Report No.: I21W00017-WWAN_Rev2

ANNEX B Deviations from Prescribed Test Methods

No deviation from Prescribed Test Methods.

*****End Of Report*****

Chongqing Academy of Information and Communication Technology

Address: No. 8, Yuma Road, Chayuan New City, Nan'an District, Chongqing, P. R. China, 401336
Tel: 0086-23-88069965 FAX: 0086-23-88608777