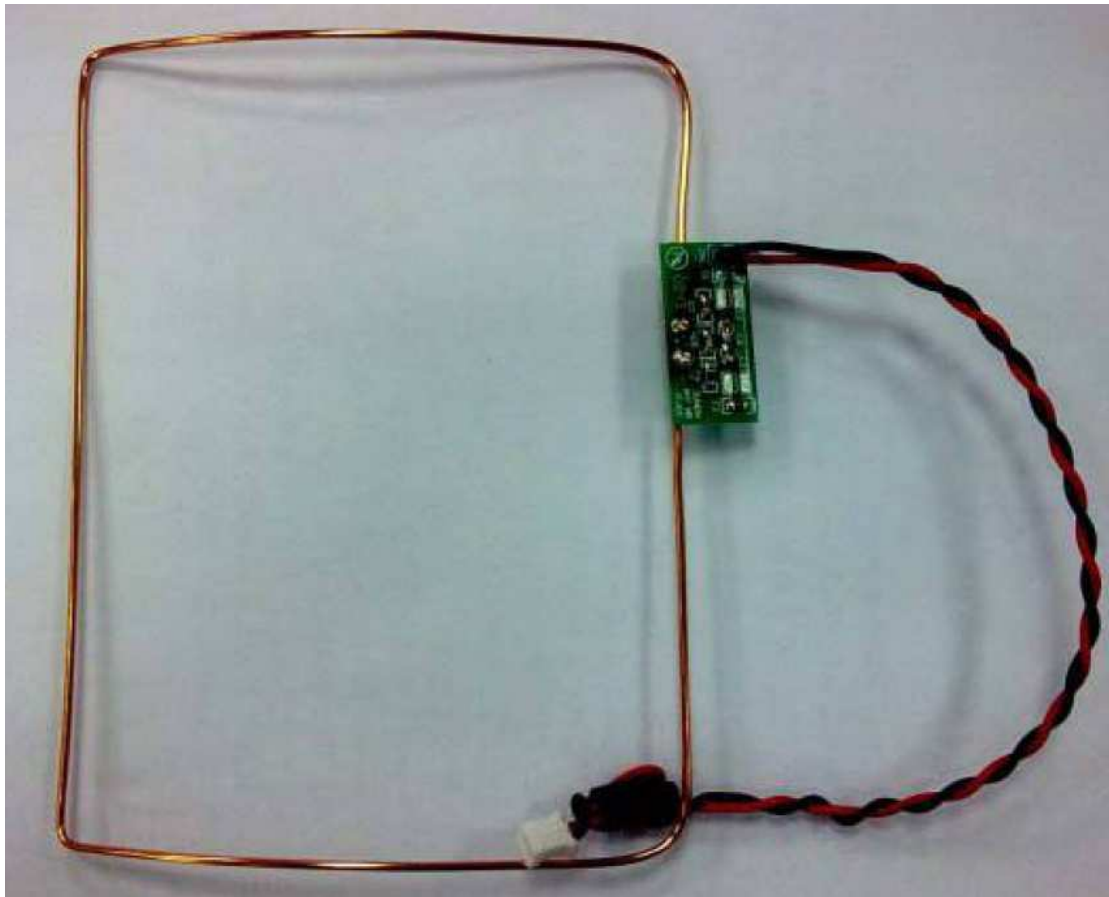
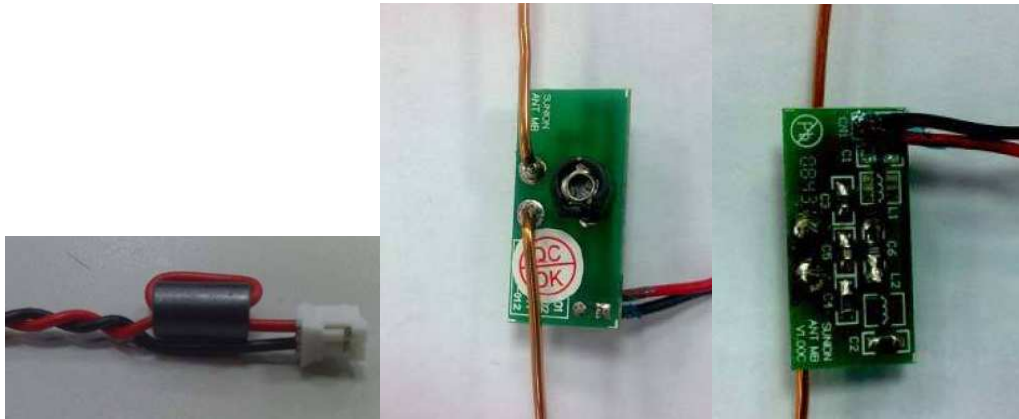




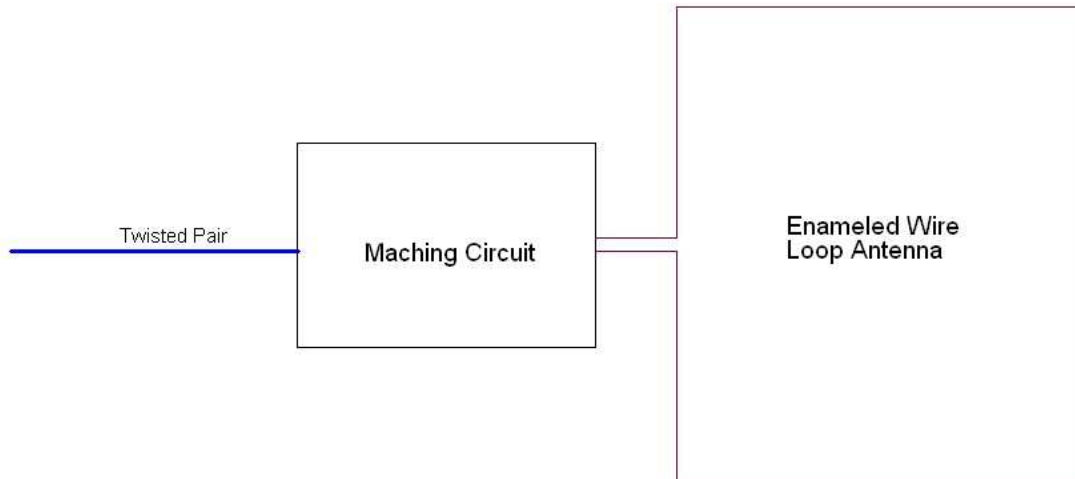
RF-331 HF RFID Antenna Info

1. The antenna is work for ISM band in 13.56Mz frequency. It must work with the device RF-331 RFID module. Its output power and working frequency are complied with licensing regulation FCC Part 15 section 15.225.
2. The antenna is made by Sunion Electronic Corp., it is a 50 OHM loop type antenna, there is no antenna gain definition here, due to this antenna is only working on the near filed inductive coupling system in accordance with ISO 15693.
3. The physical photo and drawing are shown as below:

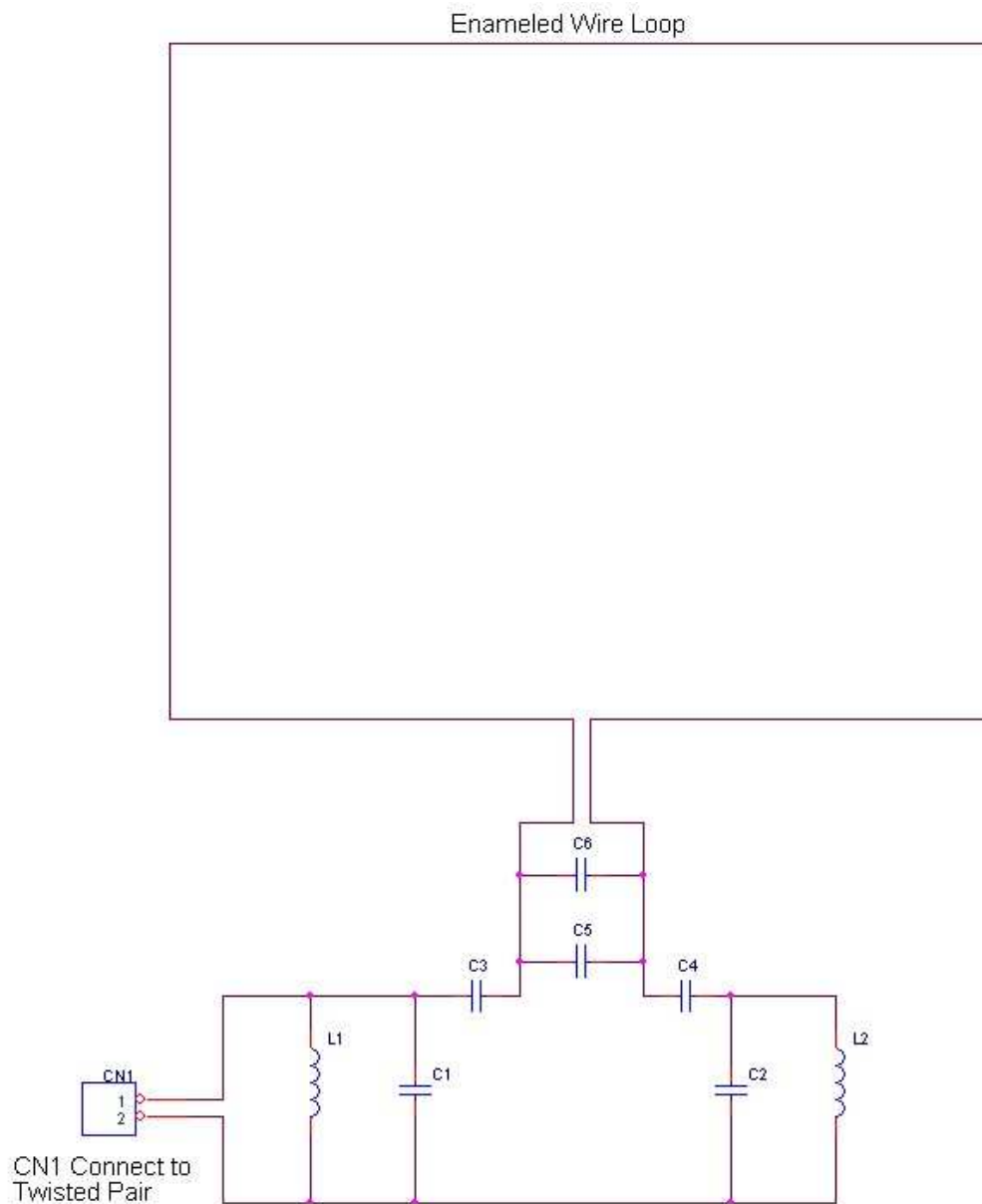




4. Block Diagram



4. Circuit Schematic:



This antenna is a single-loop transmit/receive antenna with pre-set matching electronics for a transmitter frequency of 13.56MHz and impedance of 50Ω.

5. Spec:

Antenna type: Low Frequency Loop Antenna

Working Frequency: 13.56MHz (ISM Band)

Impedance: 50Ω

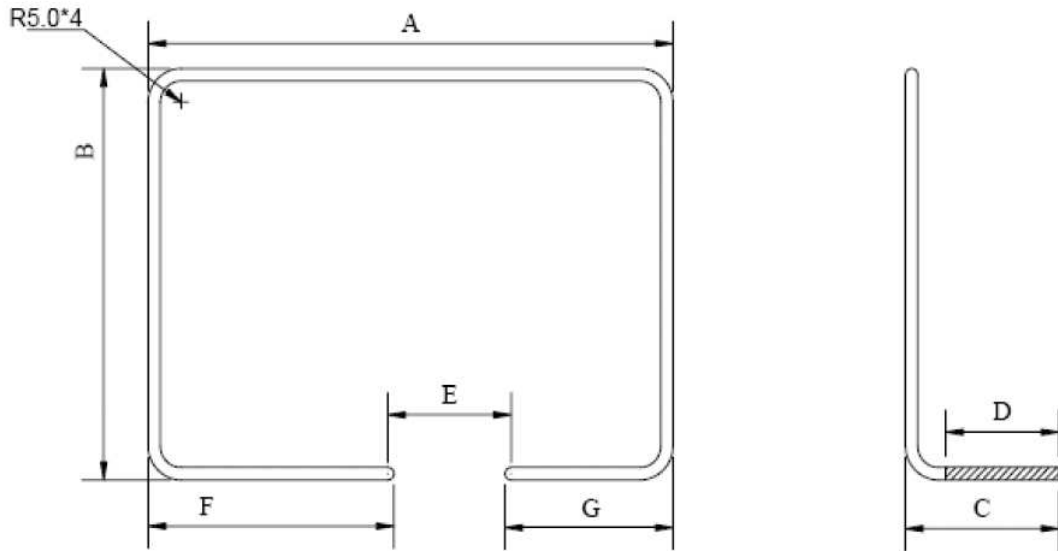
Connector: 2.0 pitch male of Molex type for RF-331

Cable: Twiest pair with EMI coil



● Dimension shown for ANT

1. PHYSICAL DIMENSION (UNIT: mm)



2. SCHEMATIC:

NOTE: DIP

NO.	MATERIAL	SPECIFICATION
1	WIRE	2UEW-N ϕ 1.2
2		(或) 1UEW-N ϕ 1.2

A: 113.2±1.5	B: 89.5±1.5
C: 5.0±1.5	D: 4.0 REF
E: 4.5 REF	G: 68.8±1.5
F: 41.1±1.5	

Readout Pattern

- Tag orientation 1
- Tag orientation 2

