

Dielectric Chip Antenna



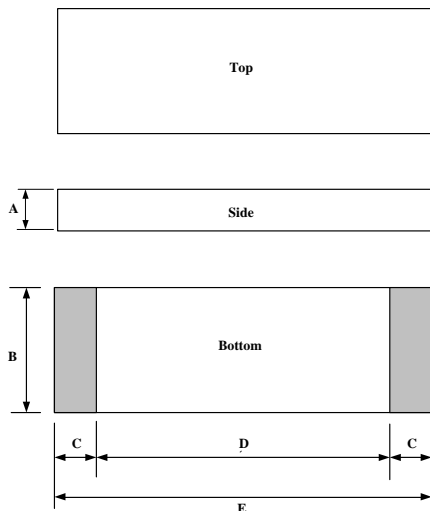
■ P/N : ACS2450HFXX

This specification covers the dielectric chip antenna ACS2450HFXX used in Bluetooth, WLAN and Jigbee etc

■ ELECTRICAL CHARACTERISTICS

ITEM				SPEC
Frequency Range				2400 ~ 2485 MHz.
VSWR				2.0 Max.
Polarization				Linear
Gain	Azimuth	Theta	Peak	-1.09
			Average	-3.00
		Phi	Peak	-3.26
			Average	-7.81
	Elevation 1	Theta	Peak	-6.18
			Average	-10.35
		Phi	Peak	1.00
			Average	-3.31
	Elevation 2	Theta	Peak	-7.61
			Average	-12.50
		Phi	Peak	1.47
			Average	-2.15

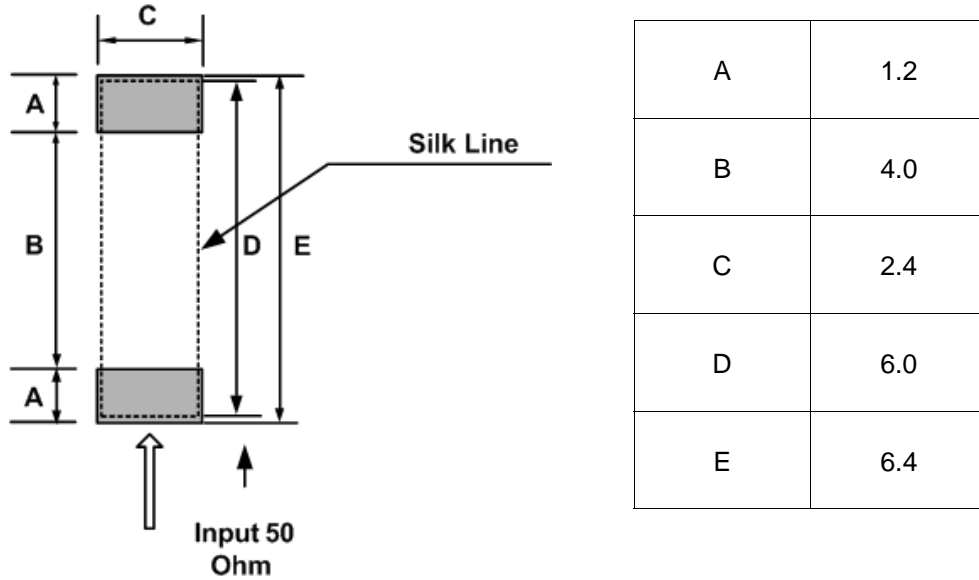
■ MECHANICAL DIMENSION (unit : mm, tolerance : +/- 0.15)



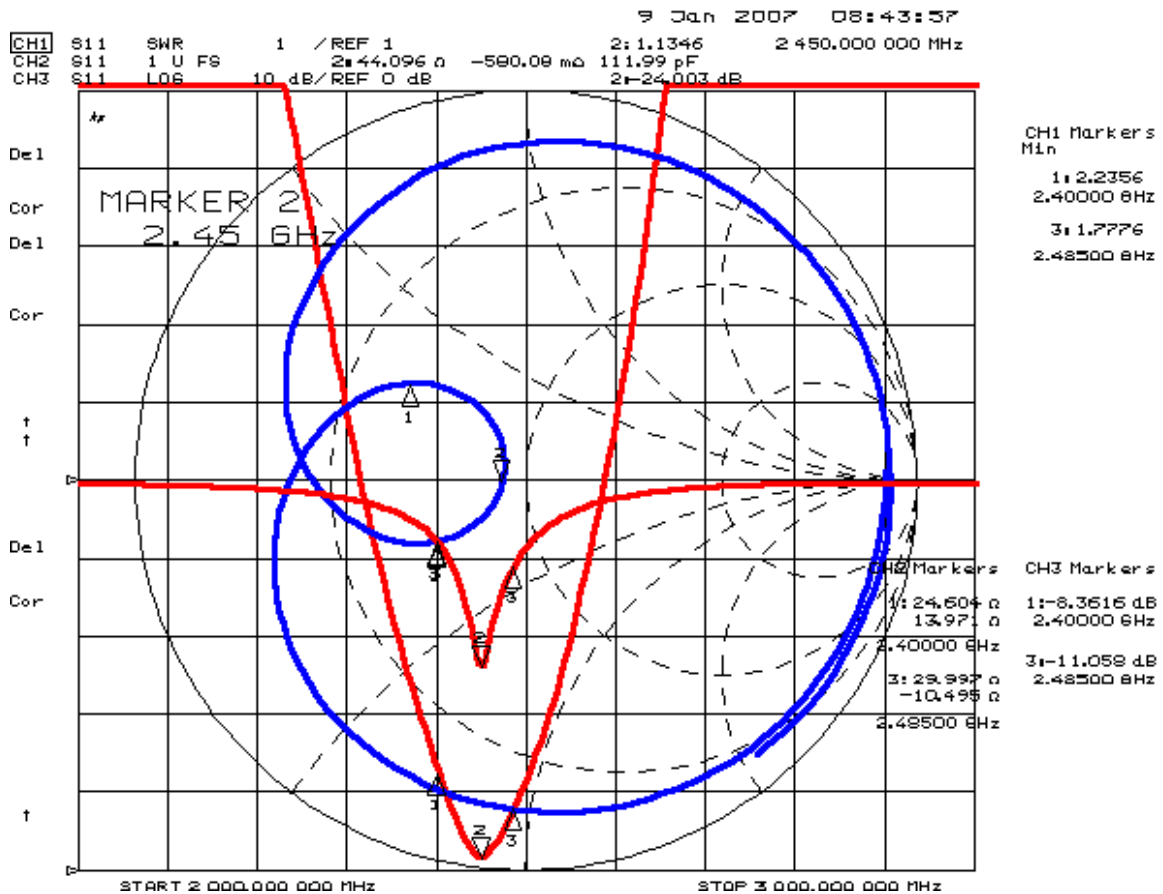
A	1.2
B	2.0
C	1.0
D	4.0
E	6.0

Dielectric Chip Antenna

FEEDING METHOD (unit : mm, tolerance : +/- 0.05)



MEASUREMENT



Dielectric Chip Antenna



RADIATION PATTERN

