



KITCHEN HUB™

SAFETY INFORMATION.....3

USING THE KITCHEN HUB

Hardware5

Control Features.....5

Wi-Fi Connect..... 6

Chef Connect 6

CARE AND CLEANING

Filters7

Surfaces8

INSTALLATION INSTRUCTIONS ... 9

Mounting Plate14

Installation Types.....17

 A. Outside Top Exhaust.....18

 B. Recirculating..... 22

 C. Outside Back Exhaust 25

TROUBLESHOOTING TIPS..... 28

LIMITED WARRANTY 29

ACCESSORIES 30

CONSUMER SUPPORT 32

OWNER'S MANUAL & INSTALLATION INSTRUCTIONS

UVH1301

Write the model and serial numbers here:

Model # _____

Serial # _____

You can find them on a label on the inside of the unit behind the filters.

ESPAÑOL

Para consultar una versión en español de este manual de instrucciones, visite nuestro sitio de internet GEAppliances.com.

THANK YOU FOR MAKING GE APPLIANCES A PART OF YOUR HOME.

Whether you grew up with GE Appliances, or this is your first, we're happy to have you in the family.

We take pride in the craftsmanship, innovation and design that goes into every GE Appliances product, and we think you will too. Among other things, registration of your appliance ensures that we can deliver important product information and warranty details when you need them.

Register your GE appliance now online. Helpful websites and phone numbers are available in the Consumer Support section of this Owner's Manual. You may also mail in the pre-printed registration card included in the packing material.



GE APPLIANCES

IMPORTANT SAFETY INFORMATION

READ ALL INSTRUCTIONS BEFORE USING

⚠ WARNING TO REDUCE THE RISK OF FIRE, ELECTRIC SHOCK OR INJURY TO PERSONS, OBSERVE THE FOLLOWING:

- A. Use this unit only in the manner intended by the manufacturer. If you have questions, contact the manufacturer.
- B. To avoid the risk of scald injury from a hot cooktop, keep young children away from the touchscreen.
- C. Before servicing or cleaning unit, switch power off at service panel and lock the service disconnecting means to prevent power from being switched on accidentally. When the service disconnecting means cannot be locked, securely fasten a prominent warning device, such as a tag, to the service panel.
- D. Do not use this unit with any solid-state speed control device.
- E. This unit must be grounded.

⚠ CAUTION FOR GENERAL VENTILATING USE ONLY. DO NOT USE TO EXHAUST HAZARDOUS OR EXPLOSIVE MATERIALS AND VAPORS.

⚠ CAUTION TO REDUCE RISK OF FIRE AND TO PROPERLY EXHAUST AIR, BE SURE TO DUCT AIR OUTSIDE. DO NOT VENT EXHAUST AIR INTO SPACES WITHIN WALLS OR CEILINGS OR INTO ATTICS, CRAWL SPACES OR GARAGES.

⚠ WARNING TO REDUCE THE RISK OF INJURY TO PERSONS IN THE EVENT OF A RANGE TOP GREASE FIRE, OBSERVE THE FOLLOWING*:

- A. SMOTHER FLAMES with a close-fitting lid, cookie sheet or metal tray, then turn off the burner. BE CAREFUL TO PREVENT BURNS. If the flames do not go out immediately, EVACUATE AND CALL THE FIRE DEPARTMENT.
- B. NEVER PICK UP A FLAMING PAN—You may be burned.
- C. DO NOT USE WATER, including wet dishcloths or towels—a violent steam explosion will result.
- D. Use an extinguisher ONLY if:
 1. You know you have a Class ABC extinguisher, and you already know how to operate it.
 2. The fire is small and contained in the area where it started.
 3. The fire department is being called.
 4. You can fight the fire with your back to an exit.

*Based on "[Kitchen Fire Safety](#)" published by NFPA.

⚠ WARNING TO REDUCE THE RISK OF A RANGE TOP GREASE FIRE:

- A. Never leave surface units unattended. Boilovers cause smoking and greasy spillovers that may ignite. Heat oils slowly on medium settings.
- B. Always turn fan ON when cooking at high heat or when flambéing food (i.e. Crepes Suzette, Cherries Jubilee, Peppercorn Beef Flambé).
- C. Clean ventilating fans frequently. Grease should not be allowed to accumulate on fan or filter.
- D. Use proper pan size. Always use cookware appropriate for the size of the surface element.

READ AND SAVE THESE INSTRUCTIONS

IMPORTANT SAFETY INFORMATION READ ALL INSTRUCTIONS BEFORE USING

NOTE: This equipment has been tested and found to comply with the limits for a Class B digital device, pursuant to part 15 of the FCC Rules. These limits are designed to provide reasonable protection against harmful interference in a residential installation. This equipment generates, uses and can radiate radio frequency energy and, if not installed and used in accordance with the instructions, may cause harmful interference to radio communications. However, there is no guarantee that interference will not occur in a particular installation. If this equipment does cause harmful interference to radio or television reception,

which can be determined by turning the equipment off and on, the user is encouraged to try to correct the interference by one or more of the following measures:

- Reorient or relocate the receiving antenna.
- Increase the separation between the equipment and receiver.
- Connect the equipment into an outlet on a circuit different from that to which the receiver is connected.
- Consult the dealer or an experienced radio/TV technician for help.

This device contains licence-exempt transmitter(s)/ receiver(s) that comply with Innovation, Science and Economic Development Canada's licence-exempt RSS(s). Operation is subject to the following two conditions:

- (1) This device may not cause interference.
- (2) This device must accept any interference, including interference that may cause undesired operation of the device.

L'émetteur/récepteur exempt de licence contenu dans le présent appareil est conforme aux CNR d'Innovation, Sciences et Développement économique Canada applicables aux appareils radio exempts de licence. L'exploitation est autorisée aux deux conditions suivantes :

- 1) L'appareil ne doit pas produire de brouillage;
- 2) L'appareil doit accepter tout brouillage radioélectrique subi, même si le brouillage est susceptible d'en compromettre le fonctionnement.

To satisfy FCC / IC RF exposure requirements, a separation distance of 20 cm or more should be maintained between the antenna of this device and persons during device operation.

To ensure compliance, operations at closer than this distance is not recommended.

Les antennes installées doivent être situées de façon à ce que la population ne puisse y être exposée à une distance de moins de 20 cm. Installer les antennes de façon à ce que le personnel ne puisse approcher à 20 cm ou moins de la position centrale de l'antenne.

La FCC des états-unis stipule que cet appareil doit être en tout temps éloigné d'au moins 20 cm des personnes pendant son fonctionnement.

Limited by local law regulations, version for North America does not have region selection option.

The device for operation in the band 5150-5250 MHz is only for indoor use to reduce the potential for harmful interference to co-channel mobile satellite systems.

Les dispositifs fonctionnant dans la bande de 5 150 à 5 250 MHz sont réservés uniquement pour une utilisation à l'intérieur afin de réduire les risques de brouillage préjudiciable aux systèmes de satellites mobiles utilisant les mêmes canaux.

Changes or modifications not expressly approved by the party responsible for compliance could void the user's authority to operate the equipment.

How to Remove Protective Shipping Film and Packaging Tape

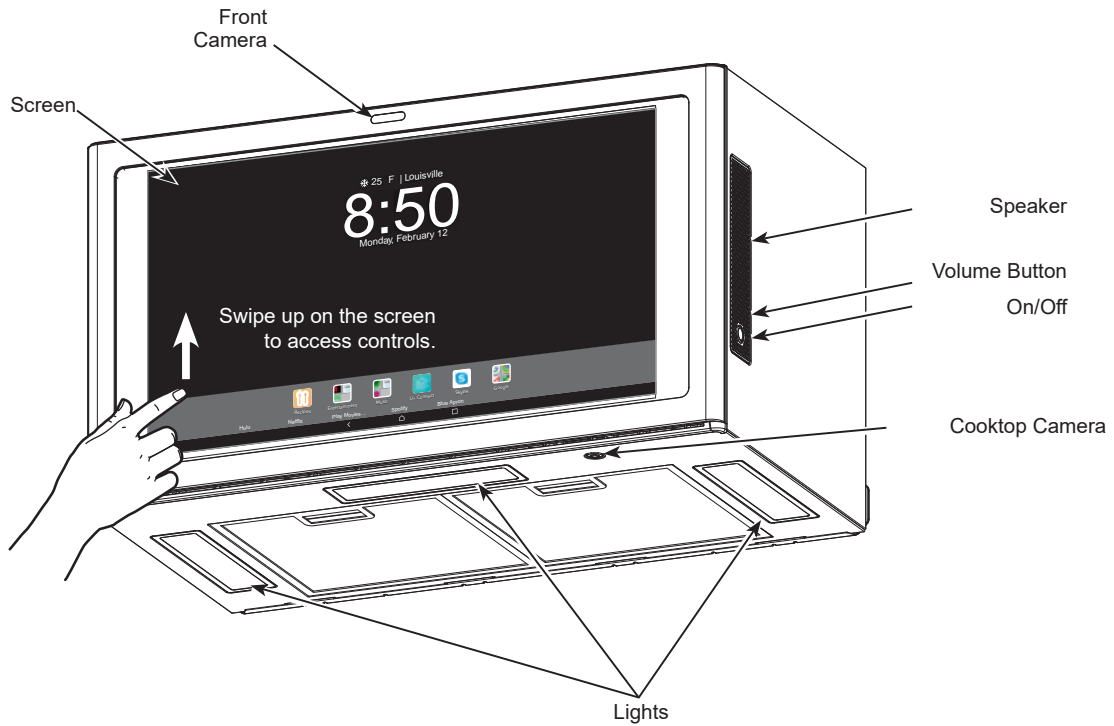
Carefully grasp a corner of the protective shipping film with your fingers and slowly peel it from the appliance surface. Do not use any sharp items to remove the film. Remove all of the film before using the appliance for the first time.

To assure no damage is done to the finish of the product, the safest way to remove the adhesive from packaging tape on new appliances is an application of a household liquid dishwashing detergent. Apply with a soft cloth and allow to soak.

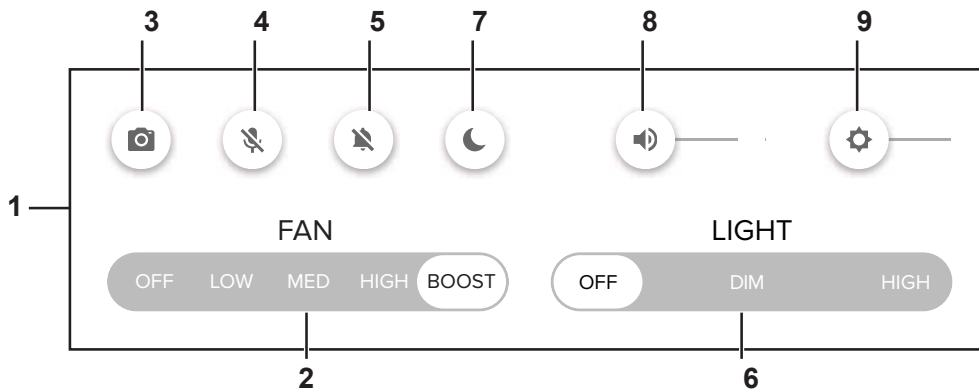
NOTE: The adhesive must be removed from all parts.

NOTE: For further cleaning instructions/suggestions, please refer to the Care And Cleaning section.

Hardware



Control Features



1. Ventilation Fan and Light Control Screen

- 2. FAN:** Speed control for fan. Tap **LOW** for LOW speed. **MED** for MEDIUM speed and **HIGH** for HIGH speed. Tap **BOOST** for BOOST speed.
- 3. Camera:** Select to take a picture of your cooking surface.
- 4. Microphone:** Select to mute/unmute.
- 5. Notification:** Select to turn notification sounds on and off.

- 6. LIGHT:** Light level control. Tap **DIM** for low light, **MED** for medium light, and **HIGH** for bright light.
- 7. Lock:** Select to lock screen controls.
- 8. Volume:** Slide to increase or decrease media volume.
- 9. Brightness:** Slide to increase or decrease screen brightness.

For Android device setup, and for Android help, please reference the Setup Wizard on the Kitchen Hub.

USING THE KITCHEN HUB

Connecting your WiFi Connect Enabled Appliance

Your GE Appliances Kitchen Hub is recommended to be connected to WiFi.

Use the Setup Wizard to connect unit to WiFi.

Heat Sensor

This unit is equipped with a heat sensor that will activate the ventilation FAN if excessive temperatures are detected above the cooktop surface to protect the Kitchen Hub components from overheating.

If FAN is OFF and excessive temperature is detected, the FAN will automatically turn to LOW speed. You may adjust FAN speed to MEDIUM, HIGH, or BOOST, but you will not be able to turn to OFF until temperatures return to an acceptable level.

Screen Moisture Protection System

Your Kitchen Hub is equipped with a screen protection system. The system expels small amounts of air around and below the screen to keep the touchscreen area dry and clean by preventing condensation or other substances during cooktop operation.

The system is on while the screen is in the awake state and off when the screen is in screensaver mode or off position. Operating the cooktop while screen protection system is off may result in condensation on the touchscreen. It is recommended to activate screen during cooking to prevent this from happening. If condensation build up continues while protection system is active, turn the ventilation FAN on to provide additional protection.

Filters

Be sure the circuit breaker is off and all surfaces are cool before cleaning or servicing any interior part of the unit.

Metal Grease Filter

The metal filters trap grease during cooking.

The filters must ALWAYS be in place when the unit is in use. The grease filters are dishwasher-safe and should be cleaned every month, depending on the usage of the unit.

To remove:

Press on the filter handle to disengage the filter lock to release the filter.

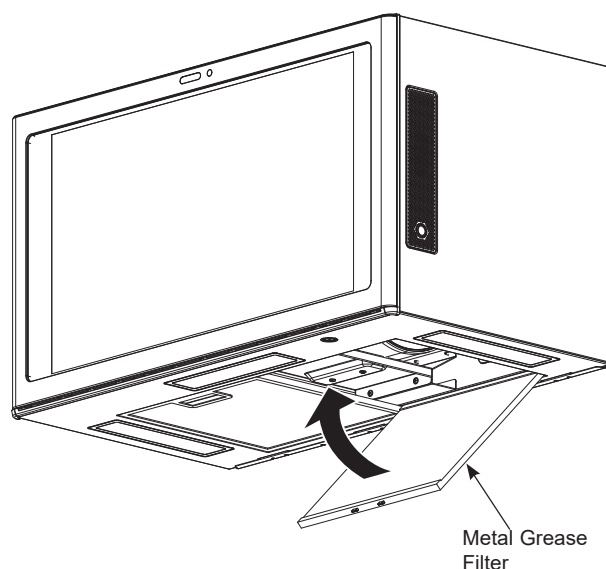
To replace:

Fit the tabs at the bottom of the filter into the slots in the back of the filter opening. Lift up the front side of the filter and push gently until the filter locks into place. Make sure the filter lock is in the closed position to secure the filter.

To clean:

Swish the filter in hot soapy water and rinse in clean water or wash it in the dishwasher. Do not use abrasive cleansers.

NOTE: Some discoloration of the filter may occur in the dishwasher.



Charcoal Filter (for recirculation installation only)

If the model is not vented to the outside, the air needs to be recirculated through a disposable charcoal filter that helps remove smoke and odors.

NOTE: DO NOT rinse, or put charcoal filter in an automatic dishwasher.

The charcoal filters are included with the unit. They cannot be cleaned. It is recommended that the charcoal filter be replaced every 6 months or if it is noticeably dirty or discolored.

Order Charcoal Filter UXCF91

To inquire about purchasing replacement charcoal filters or to find the location of a dealer nearest you, please call our toll-free number:

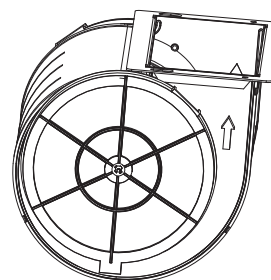
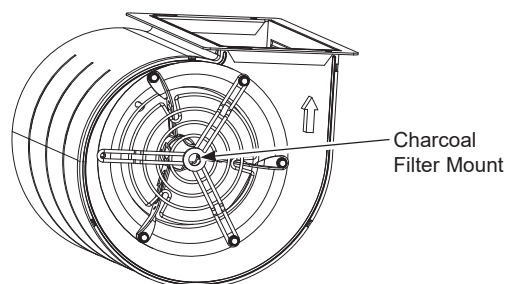
National Parts Center 800.626.2002

To install:

1. Remove the metal filters—see Metal Grease Filter section.
2. Install the charcoal filter mounts to either side of the motor.
3. Insert the snap on the charcoal filter into the center on the mount.
4. Clip the charcoal filter in until it is locked.
5. Repeat with second filter on the other side of the motor.
6. Replace the metal filters - See Metal Grease Filter section.

To remove:

1. Remove the metal filters—see Metal grease filter section.
2. Remove the charcoal filter on each side of the blower.



Surfaces

Stainless Steel Surfaces (on some models)

Do not use a steel wool pad; it will scratch the surface.

To clean the stainless steel surface, use warm sudsy water or a stainless steel cleaner or polish. Always wipe the surface in the direction of the brush line. Follow the cleaner instructions for cleaning the stainless steel surface. Cleaners with oxalic acid such as **Bar Keepers Friend Soft Cleanser™** will remove surface rust, tarnish, and small blemishes. To receive a coupon for a trial sample of **Bar Keepers Friend Soft Cleanser™** follow the link below or scan the QR Code.



barkeepersfriend.com/ge

Use only a liquid cleanser free of grit and rub in the direction of the brush lines with a damp soft sponge.

To inquire about purchasing stainless steel appliance cleaner or polish, or to find the location of a dealer nearest you, please call our toll-free number:

National Parts Center
800.626.2002

GEApplianceParts.com

Painted Surfaces and Black Stainless Color (on some models)

Do not use a steel wool pads or other abrasive cleaners; they will scratch the surface.

Clean grease-laden surfaces frequently. To clean the outer surface, use a hot, damp cloth with a mild detergent suitable for painted surfaces. Use a clean, hot, damp cloth to remove soap. Dry with a dry, clean cloth.

NOTE: When cleaning, take care not to come in contact with filters and other surfaces.

How to Clean the Outside

We recommend against using cleaners with ammonia or alcohol, as they can damage the appearance of the appliance. If you choose to use a common household cleaner, first apply the cleaner directly to a clean cloth, then wipe the soiled area.

Case

Clean the outside of the appliance with a sudsy cloth. Rinse and then dry. Do not use appliance wax, polish, bleach or products containing chlorine on Stainless Steel finishes.

Screen

Wipe with a damp cloth or glass cleaner such as Windex. Dry thoroughly. Do not use large amounts of soap and water, sharp objects or abrasives - they can damage it.

Bottom

Clean off the grease and dust on the bottom often. Use a solution of warm water and detergent.

Cooktop Camera

Use a dry, soft cloth to clean the cooktop camera.

Installation Instructions

Kitchen Hub UVH1301

 "If you have questions, call GE Appliances at 800.GE.CARES (800.432.2737) or visit our website at: GEAppliances.com"

BEFORE YOU BEGIN

Read these instructions completely and carefully.

- **IMPORTANT** — Save these instructions for local inspector's use.
- **IMPORTANT** — Observe all governing codes and ordinances.
- **Note to Installer** – Be sure to leave these instructions with the Consumer.
- **Note to Consumer** – Keep these instructions for future reference.
- **Skill level** – Installation of this appliance requires basic mechanical and electrical skills.
- **Completion time** – Approximately 1 to 3 hours
- Proper installation is the responsibility of the installer.
- Product failure due to improper installation is not covered under the Warranty.

⚠ WARNING TO REDUCE THE RISK OF FIRE, ELECTRIC SHOCK OR INJURY TO PERSONS, OBSERVE THE FOLLOWING:

- A. Installation work and electrical wiring must be done by qualified person(s) in accordance with all applicable codes and standards, including fire-rated construction.
- B. Sufficient air is needed for proper combustion and exhausting of gases through the flue (chimney) of fuel burning equipment to prevent back drafting. Follow the heating equipment manufacturer's guidelines and safety standards such as those published by the National Fire Protection Association (NFPA), the American Society for Heating, Refrigeration and Air Conditioning Engineers (ASHRAE) and the local code authorities.
- C. When cutting or drilling into wall or ceiling, do not damage electrical wiring and other hidden utilities.
- D. Ducted fans must always be vented to the outdoors.
- E. When applicable, install any makeup (replacement) air system in accordance with local building code requirements. Visit **GEAppliances.com** for available makeup air solutions.

⚠ WARNING TO REDUCE THE RISK OF FIRE, USE ONLY METAL DUCT WORK.

Installation Instructions

IMPORTANT SAFETY INSTRUCTIONS

GROUNDING INSTRUCTIONS

This appliance must be grounded. In the event of an electrical short circuit, grounding reduces the risk of electric shock by providing an escape wire for the electric current. This appliance is equipped with a cord having a grounding wire with a grounding plug. The plug must be plugged into an outlet that is properly installed and grounded.

⚠ WARNING Improper grounding can result in a risk of electric shock.

Consult a qualified electrician if the grounding instructions are not completely understood, or if doubt exists as to whether the appliance is properly grounded.

Do not use an extension cord. If the power supply cord is too short, have a qualified electrician install an outlet near the appliance.

Where a standard two-prong wall receptacle is encountered, it must be replaced with a properly grounded three-prong wall receptacle, installed by a qualified electrician.

⚠ WARNING Risk of Electric Shock.

Can cause injury or death: DO NOT, under any circumstances, cut, deform or remove any of the prongs from the power cord. Failure to comply may cause fire.

⚠ CAUTION For personal safety, the mounting surface must be capable of supporting the cabinet load of this 75 pound product.

⚠ CAUTION For personal safety, this product cannot be installed in cabinet arrangements such as an island or a peninsula. It must be mounted to BOTH a top cabinet AND a back wall.

⚠ CAUTION To avoid the risk of personal injury (back injury or other injuries due to excessive weight of the product) or property damage, you will need two people to install this product.

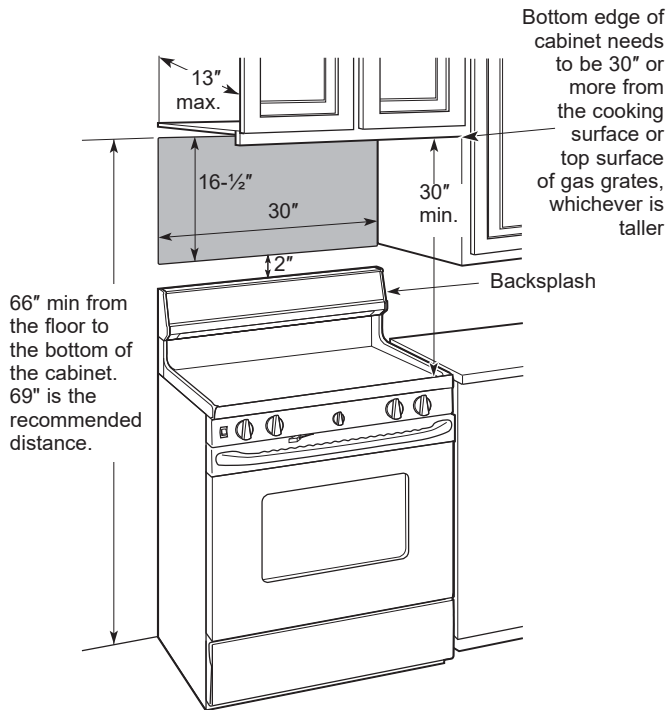
ELECTRICAL REQUIREMENTS

120 V Models

This product requires a three-prong grounded outlet. Product rating is 120 volts AC, 60 Hertz. This product must be connected to a supply circuit of the proper voltage and frequency. Wire size must conform to the requirements of the National Electrical Code or the prevailing local code. The outlet box should be located in the cabinet above the unit and away from any potential ducting. The outlet box and supply circuit should be installed by a qualified electrician and conform to the National Electrical Code or the prevailing local code.

Installation Instructions

MOUNTING SPACE

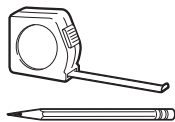


NOTES:

- The space between the cabinets must be 30" wide and free of obstructions.
- If you are going to vent your unit to the outside, see Installation Types 2A or 2C for cabinet and wall preparation.
- When installing the unit beneath smooth, flat cabinets, be careful to follow the instructions on the top cabinet template for power cord clearance.
- Maximum cabinet depth above and beside the unit is 13" max for standard installation. 15" cabinet depth requires additional steps using an additional installation kit JKX15BUMPWW/BB.
- For models setup in Recirc Exhaust: Do not allow cabinetry or other objects to block the airflow of the vent.
- The product should not be installed over any cooktop or range with a combined cooktop BTU greater than 72,000 BTU.

Installation Instructions

TOOLS AND MATERIALS REQUIRED (NOT SUPPLIED)



Pencil and tape measure



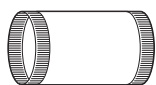
Safety glasses



Phillips screwdriver



Level



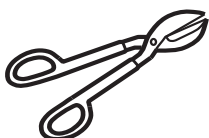
Rectangular duct and adaptors as needed per installation (length will vary)



Aluminized duct tape



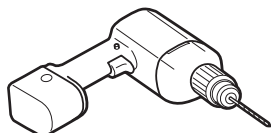
Gloves



Tin snips



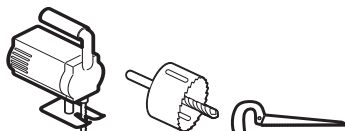
Scissors (to cut template, if necessary)



Electric drill with #2 Phillips bit



Filler blocks or scrap wood pieces, if needed for top cabinet spacing (used on recessed bottom cabinet installations only)



Saw (saber, hole or keyhole)



Drill bits: 2", 3/16", 5/8"

PARTS NEEDED FOR INSTALLATION


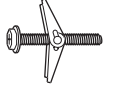



- 1 Wall or Roof Cap (for ducted venting only)
- All Metal Ductwork (for ducted venting only)

DAMAGE – SHIPMENT/INSTALLATION

- If the unit is damaged in shipment, return the unit to the store in which it was bought for repair or replacement.
- If the unit is damaged by the customer, repair or replacement is the responsibility of the customer.
- If the unit is damaged by the installer (if other than the customer), repair or replacement must be made by arrangement between customer and installer.

PARTS INCLUDED

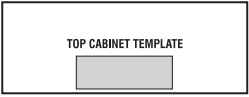

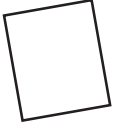
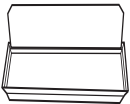
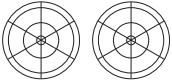
HARDWARE PACKET

PART		QUANTITY
	Wood Screws (3/16" x 2")	2
	Toggle Bolts (and wing nuts) (1/4" x 3")	4
	Self-aligning Machine Screw (1/4"-28 x 3-1/4")	3
	Nylon Grommet (for metal cabinets)	1
	Power Cord Strap (plastic)	1

You will find the installation hardware contained in a packet with the unit. Check to make sure you have all these parts.

NOTE: Some extra parts are included.

Installation Instructions

PARTS INCLUDED		
ADDITIONAL PARTS		
PART		QUANTITY
	Top Cabinet Template	1
	Rear Wall Template	1
	Owner's Manual	1
	Exhaust Adaptor	1
	Charcoal Filter	2

ADVANCE PLANNING

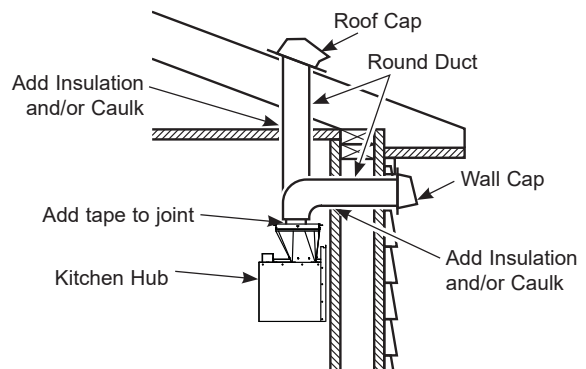
Duct Install Planning (for outside exhaust only)

- Use metal ductwork only.
- Determine the exact location of the appliance.
- Plan the route for venting exhaust to the outdoors. To maximize the ventilation performance of the vent system:
 1. Minimize the duct run length and number of transitions and elbows.
 2. Maintain a constant duct size.
 3. Seal all joints with duct tape to prevent any leaks.

NOTE: Flexible vent is not recommended. Flexible vent creates back pressure and air turbulence that greatly reduces performance.

- Maximum equivalent duct length for 100 CFM: 150 foot.
- Install a wall cap or roof cap with damper at the exterior opening. Purchase the wall or roof cap and any transition and length of duct needed in advance.
- When applicable, install any makeup (replacement) air system in accordance with local building code requirements. Use makeup air kit JXMUA8.

Vent system can terminate either through the roof or the wall.



Recirculation Install Planning

Charcoal filters (included) are necessary for recirculation installation.

Installation Instructions

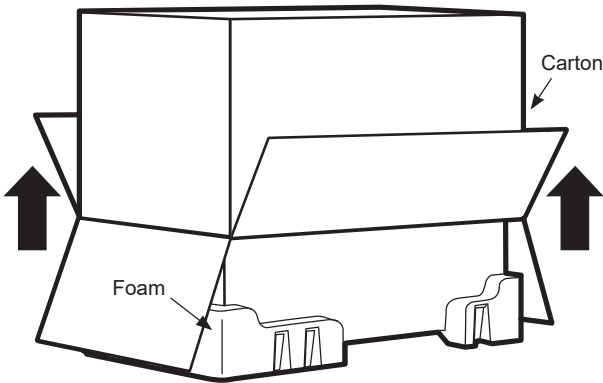
1. PLACEMENT OF THE MOUNTING PLATE

A REMOVING THE KITCHEN HUB FROM THE CARTON/REMOVING THE MOUNTING PLATE

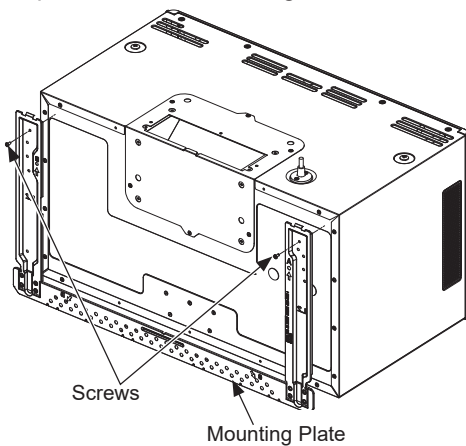
Remove the packaging

CAUTION Wear gloves to protect against sharp edges.

1. Open the box and fold back all four carton flaps fully against the carton sides. Remove the following items from the protective foam: charcoal filters, cord plug, damper, and screws. Do not remove the foam protecting the front of the unit.
2. Carefully roll the unit and carton over onto the top side. The unit should be resting in the foam.
3. Pull the carton up to remove.

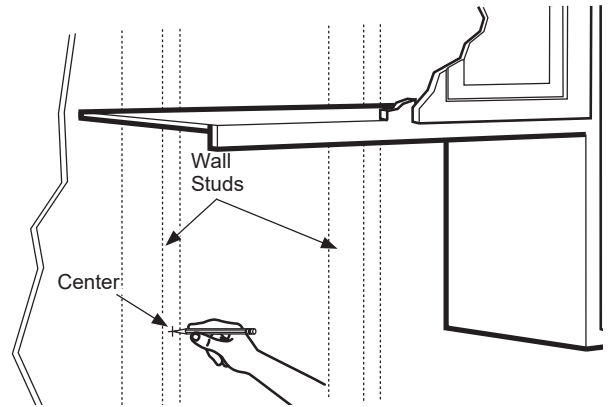


4. The mounting plate is attached to the back of the unit. Remove the two screws holding it to the back. The plate will be used as the rear wall template and for mounting the unit to the wall.



5. Set the unit upright. Remove and properly discard plastic bags and foam.

B FINDING THE WALL STUDS



1. Find the studs, using one of the following methods:

A. Stud finder

OR

B. Use a hammer to tap lightly across the mounting surface to find a solid sound. This will indicate a stud location.

2. After locating the stud(s), find the center by probing the wall with a small nail to find the edges of the stud. Then place a mark halfway between the edges. The center of any adjacent studs should be 16" or 24" from this mark.

3. Draw a line down the center of the stud.

IMPORTANT: The unit must be installed to at least one wall stud.

Installation Instructions

1. PLACEMENT OF THE MOUNTING PLATE (Cont.)

C DETERMINING MOUNTING PLATE LOCATION UNDER YOUR CABINET

Plate Position – flat bottom cabinet

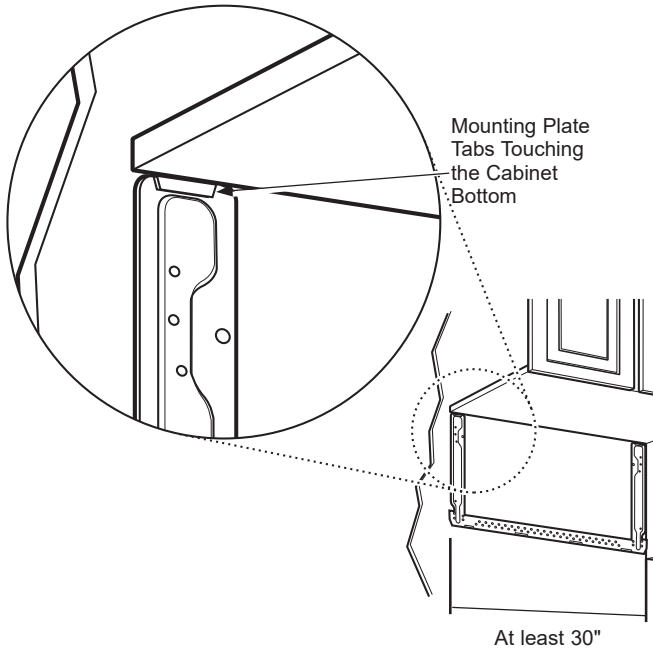


Plate Position – recessed cabinet bottom

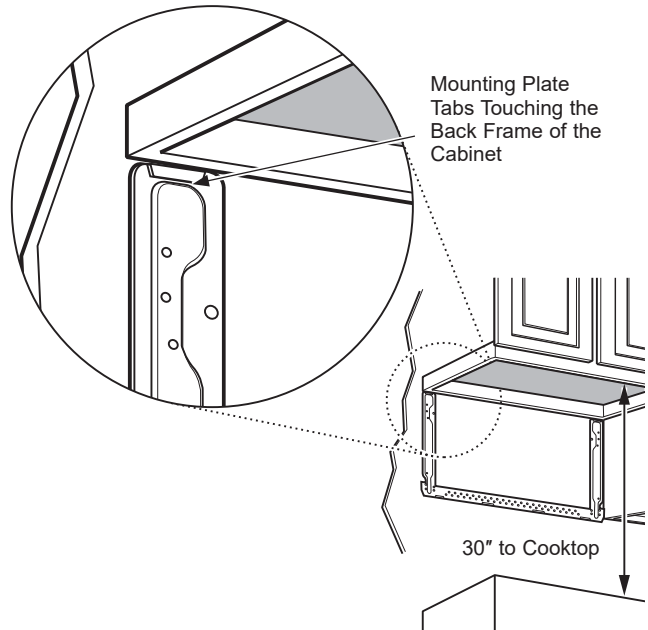
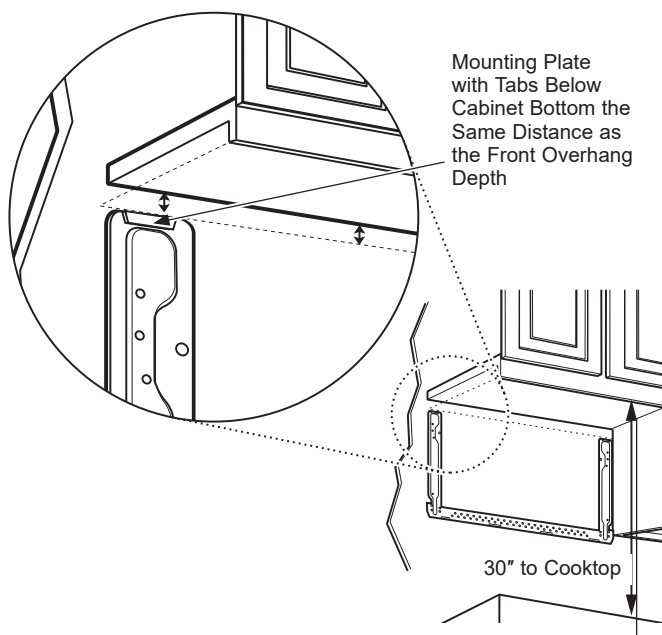


Plate Position – cabinet with front overhang



Your cabinets may have decorative trim that interferes with the unit installation. You may need to remove the decorative trim to install the unit properly and to make it level.

THE KITCHEN HUB MUST BE LEVEL.

Use a level to make sure the cabinet bottom is level.

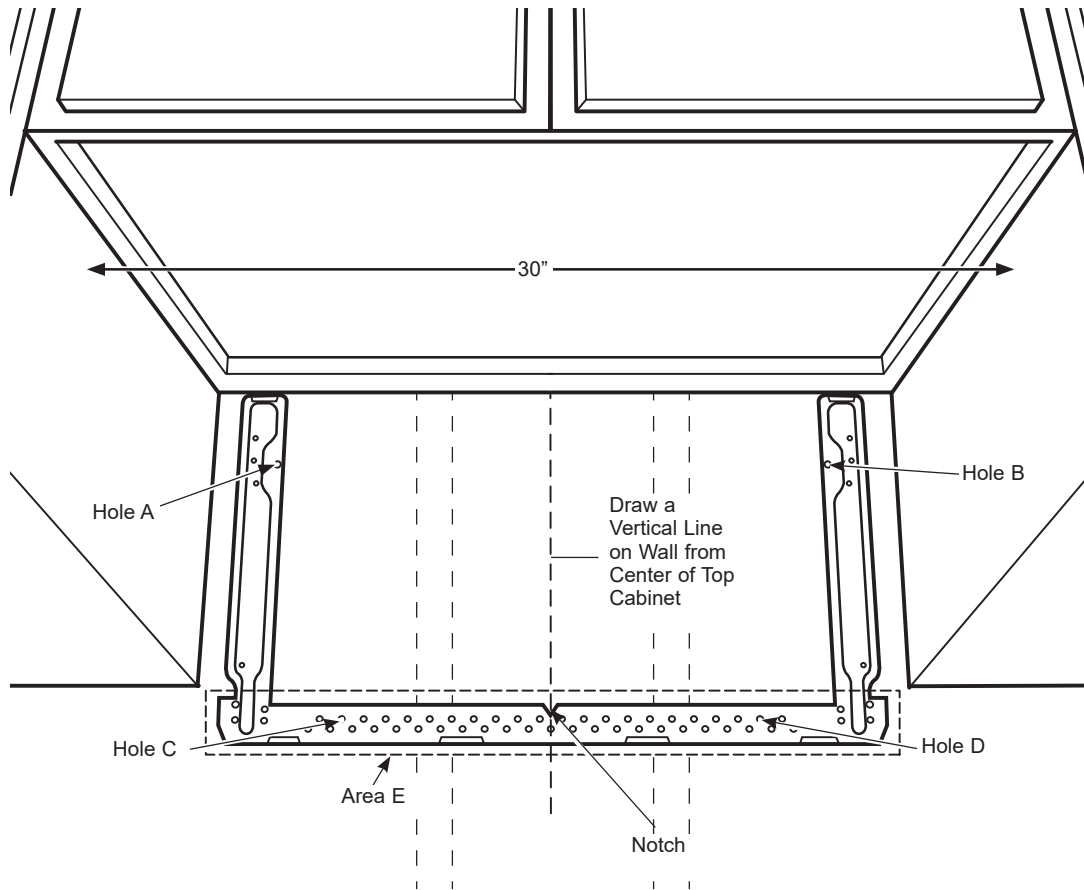
If the cabinets have a front overhang, install the mounting plate down the same distance as the front overhang depth. This will keep the unit level.

1. Measure the inside depth of the front overhang.
2. Draw a horizontal line on the back wall an equal distance below the cabinet bottom as the inside depth of the front overhang.
3. For this type of installation with front overhang, align the mounting tabs with this horizontal line, not touching the cabinet bottom as described in Step D.

Installation Instructions

1. PLACEMENT OF THE MOUNTING PLATE (Cont.)

D ALIGNING THE MOUNTING PLATE



CAUTION Wear gloves to protect against sharp edges.

1. Draw a vertical line on the wall at the center of the 30" wide space.
2. Use the mounting plate as the template for the rear wall. Place the mounting plate on the wall, making sure that the tabs are touching the bottom of the cabinet or the level line drawn in Step C for cabinets with front overhang. Line up the notch and center line on the mounting plate to the center line on the wall.
3. While holding the mounting plate with one hand, draw circles on the wall at holes A, B, C, and D (see illustration above/actual plate marked with arrows). **Four holes must be used for mounting.**

NOTE: Holes C and D are inside area E. If neither C nor D is in a stud, find a stud somewhere in area E and draw a fifth circle to line up with the stud. It is important to use **at least one wood screw mounted firmly in a stud** to support the weight of the unit.

Set the mounting plate aside.

WARNING Risk of electric shock. Can cause injury or death. Take care to not drill into electrical wiring inside walls or cabinets.

4. Drill holes on the circles. If there is a stud, drill a 3/16" hole for wood screws. For holes that don't line up with a stud, drill a 5/8" hole for toggle bolts.

NOTE: DO NOT MOUNT THE PLATE AT THIS TIME.

Installation Instructions

2. INSTALLATION TYPES (Choose A, B or C)

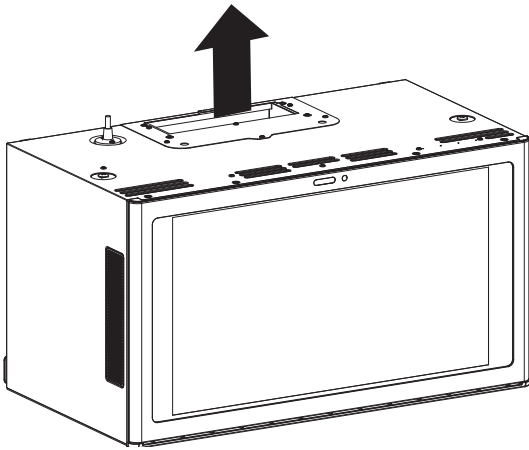
This appliance is designed for adaptation to the following 3 types of ventilation:

- A. Outside Top Exhaust (Vertical Duct)
- B. Recirculating (Non-Vented Ductless)
- C. Outside Back Exhaust (Horizontal Duct)

NOTE: Select the type of ventilation required for your installation and proceed to that section. This unit is shipped assembled for outside top exhaust.

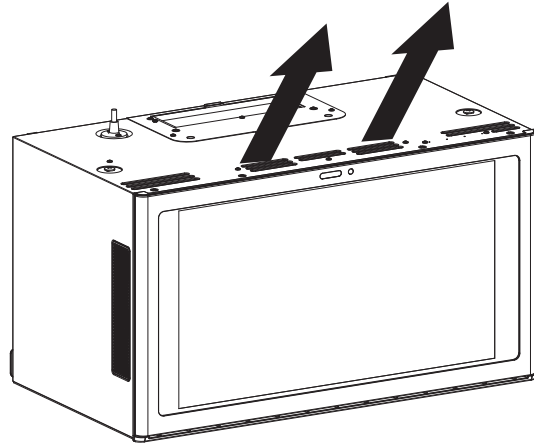
A OUTSIDE TOP EXHAUST (VERTICAL DUCT)

See page 18.



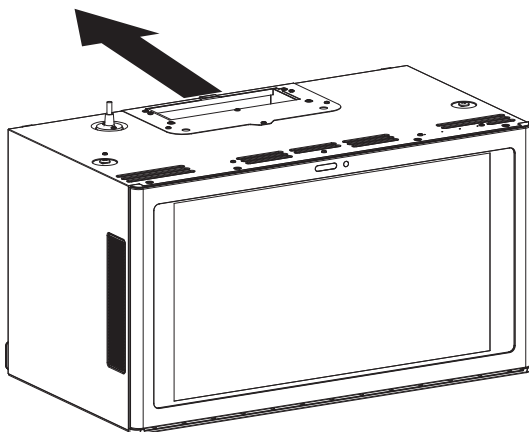
B RECIRCULATING (NON-VENTED DUCTLESS)

See page 21.



C OUTSIDE BACK EXHAUST (HORIZONTAL DUCT)

See page 25.

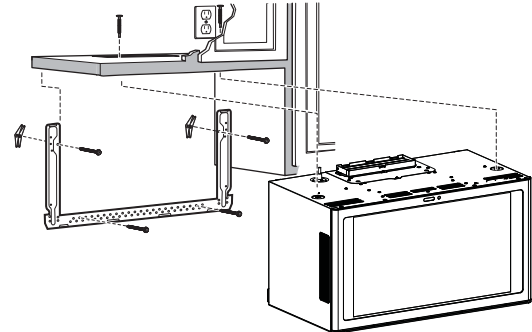


Installation Instructions

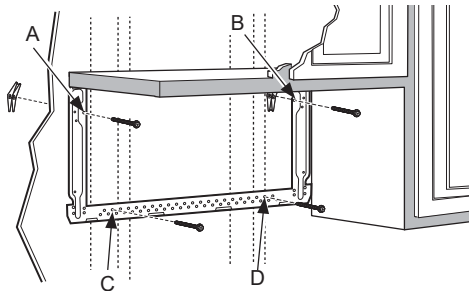
A. OUTSIDE TOP EXHAUST (Vertical Duct)

INSTALLATION OVERVIEW

- A1. Attach Mounting Plate to Wall
- A2. Prepare Top Cabinet
- A3. Adjust Blower Exhaust
- A4. Install Exhaust Adaptor
- A5. Mount the Kitchen Hub
- A6. Connect Ductwork
- A7. Finalize Installation



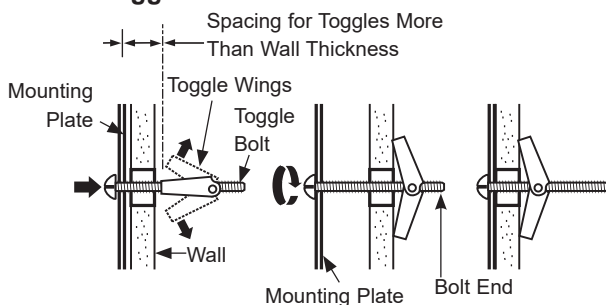
A1 ATTACH THE MOUNTING PLATE TO THE WALL



Attach the plate to the wall using toggle bolts. At least one wood screw must be used to attach the plate to a wall stud. Recommended locations on the mounting plate are indicated by A, B, C and D.

1. Remove the toggle wings from the bolts.
2. Insert the bolts into the mounting plate through the holes designated to go into drywall and reattach the toggle wings to 3/4" onto each bolt.

To use toggle bolts:



3. Place the mounting plate against the wall and insert the toggle wings into the holes in the wall to mount the plate.

NOTE: Before tightening toggle bolts and wood screw, make sure the tabs on the mounting plate touch the bottom of the cabinet when pushed flush against the wall and that the plate is properly centered under the cabinet.

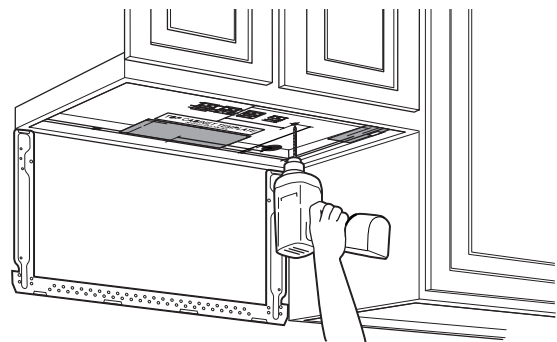
A1 ATTACH THE MOUNTING PLATE TO THE WALL (Cont.)

CAUTION Be careful to avoid pinching fingers between the back of the mounting plate and the wall.

4. Tighten all bolts. Pull the plate away from the wall to help tighten the bolts.

A2 USE TOP CABINET TEMPLATE FOR PREPARATION OF TOP CABINET

You need to drill holes for the top support screws and a hole large enough for the power cord to fit through, and a cutout large enough for the exhaust adaptor.



- Read the instructions on the TOP CABINET TEMPLATE.
- Tape it underneath the top cabinet.
- Drill the holes, following the instructions on the TOP CABINET TEMPLATE.

CAUTION Wear safety goggles when drilling holes in the cabinet bottom.

Installation Instructions

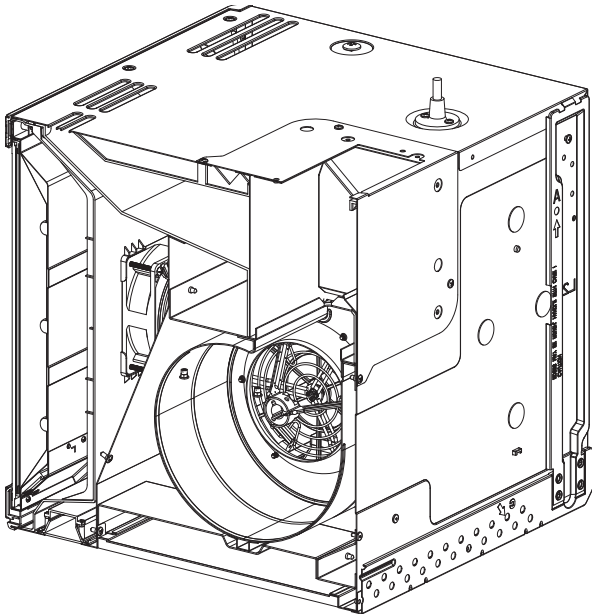
A. OUTSIDE TOP EXHAUST (Vertical Duct) (Cont.)

A3 ADJUST BLOWER EXHAUST

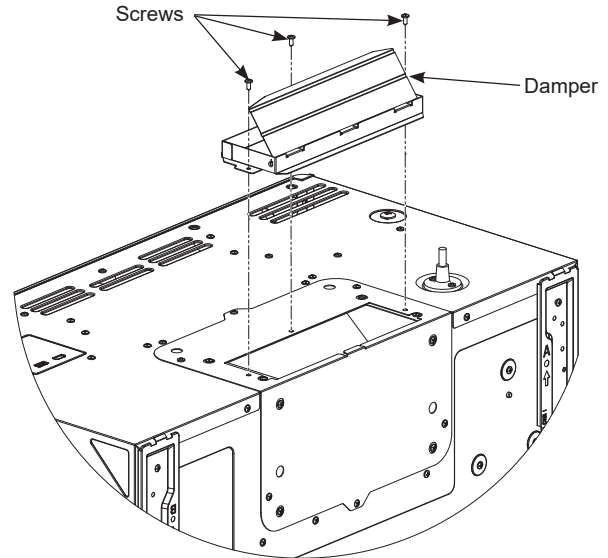
The unit is shipped in the top exhaust configuration. If configuration is not in the top exhaust direction, follow the steps below.

CAUTION Wear gloves to protect against sharp edges.

1. Remove damper mounting plate and diverter.
2. Remove diverter from angled position and reinsert vertically as shown.
3. Reattach the damper mounting plate with opening on top of unit as shown.



A4 ASSEMBLE AND INSTALL ADAPTOR



1. Remove 3 screws shown above. Position the damper on top of the damper mounting plate and secure with removed screws.
2. Remove the tape from the damper. **Make sure that the damper pivots easily before mounting the unit.**

You will need to make adjustments to assure proper alignment with your house exhaust duct after the unit is installed.

Installation Instructions

A. OUTSIDE TOP EXHAUST (Vertical Duct) (Cont.)

A5 MOUNT THE KITCHEN HUB



⚠ CAUTION To avoid the risk of personal injury (back injury or other injuries due to excessive weight of the unit) or property damage, you will need two people to install this product.

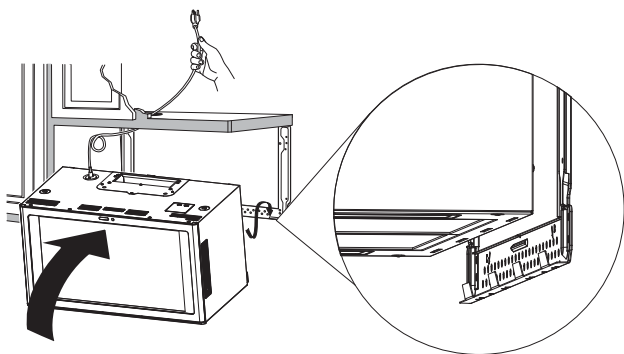
IMPORTANT: Do not put any pressure on front screen during installation.

⚠ WARNING Risk of Electric Shock. Can cause injury or death: If installing unit with metal cabinets, cover the edge of the power supply cord hole with the nylon grommet in hardware bag.

IMPORTANT: If filler blocks are not used, case damage may occur from overtightening screws.

NOTE: When mounting the unit, thread power cord through hole in bottom of top cabinet. Keep it tight throughout Steps 1–3. Do not pinch cord or lift unit by pulling cord.

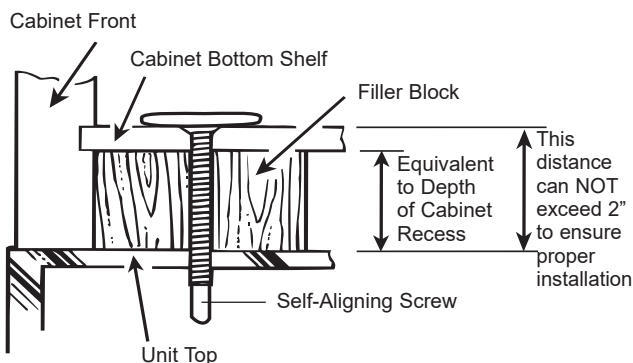
1. Lift unit, tilt it forward, and hook slots at back bottom edge onto four lower tabs of mounting plate.



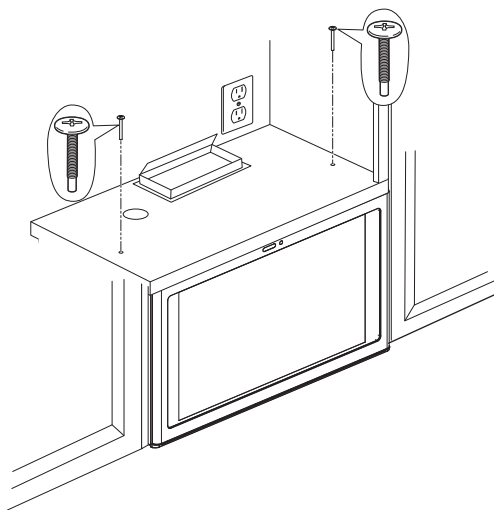
2. Rotate front of unit up against cabinet bottom.

A5 MOUNT THE KITCHEN HUB (Cont.)

3. Insert 2 self-aligning screws (1/4" - 28 x 3-1/4") through top-center cabinet hole. Turn two full turns on each screw.



4. Tighten the 2 screws to the top of the unit. (While tightening screws, hold the unit in place against the wall and the top cabinet.)

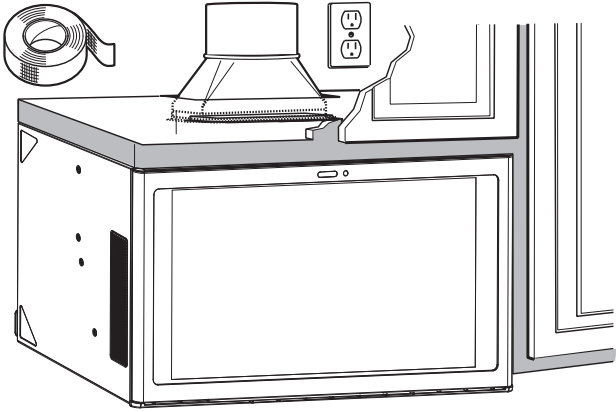


Installation Instructions

A. OUTSIDE TOP EXHAUST (Vertical Duct) (Cont.)

A6 CONNECTING DUCT WORK

1. Extend the house duct down to connect to the exhaust adaptor.
2. Seal exhaust duct joints using duct tape.



A7 FINALIZE INSTALLATION

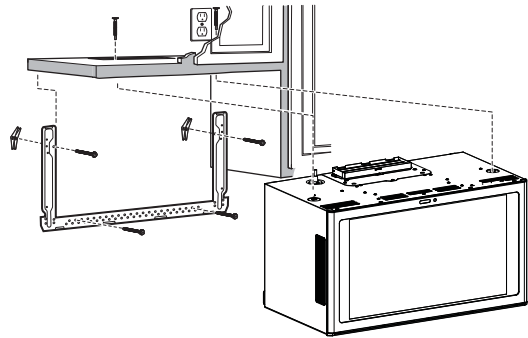
Plug in the unit.

Installation Instructions

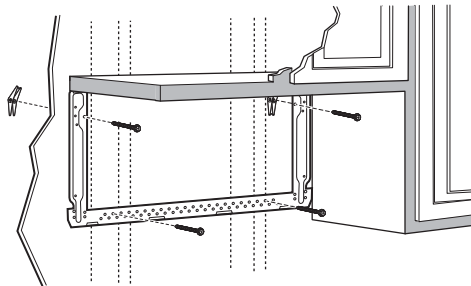
B. RECIRCULATING (Non-Vented Ductless)

INSTALLATION OVERVIEW

- B1. Attach Mounting Plate to Wall
- B2. Prepare Top Cabinet
- B3. Adjust Blower Exhaust
- B4. Mount the Kitchen Hub
- B5. Filters
- B6. Finalize Installation



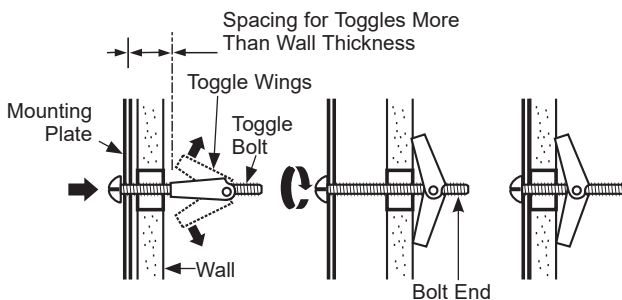
B1 ATTACH THE MOUNTING PLATE TO THE WALL



Attach the plate to the wall using toggle bolts. At least one wood screw must be used to attach the plate to a wall stud.

1. Remove the toggle wings from the bolts.
2. Insert the bolts into the mounting plate through the holes designated to go into drywall and reattach the toggle wings to 3/4" onto each bolt.

To use toggle bolts:



3. Place the mounting plate against the wall and insert the toggle wings into the holes in the wall to mount the plate.

NOTE: Before tightening toggle bolts and wood screw, make sure the tabs on the mounting plate touch the bottom of the cabinet or the horizontal level line when pushed flush against the wall and that the plate is properly centered under the cabinet.

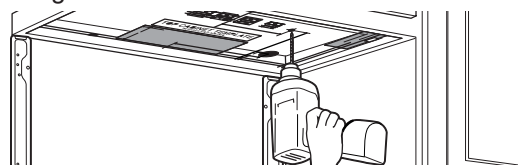
B1 ATTACH THE MOUNTING PLATE TO THE WALL (Cont.)

CAUTION Be careful to avoid pinching fingers between the back of the mounting plate and the wall.

4. Tighten all bolts. Pull the plate away from the wall to help tighten the bolts.

B2 USE TOP CABINET TEMPLATE FOR PREPARATION OF TOP CABINET

You need to drill holes for the top support screws and a hole large enough for the power cord to fit through.



- Read the instructions on the TOP CABINET TEMPLATE.
- Tape it underneath the top cabinet.
- Drill the holes, following the instructions on the TOP CABINET TEMPLATE.

CAUTION Wear safety goggles when drilling holes in the cabinet bottom.

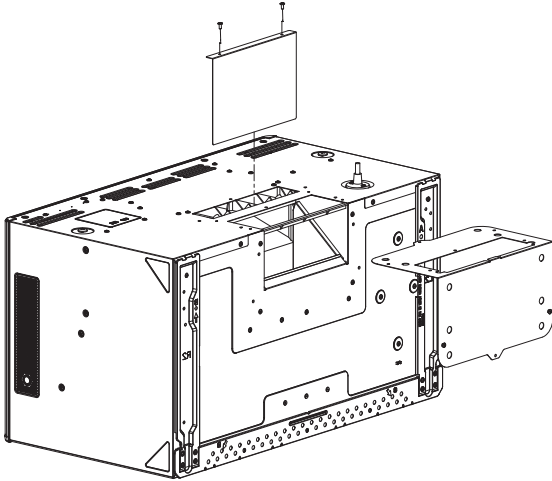
Installation Instructions

B. RECIRCULATING (Non-Vented Ductless)

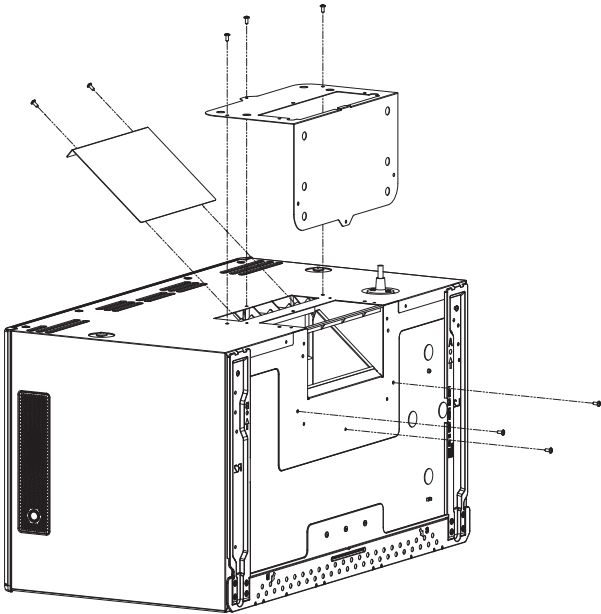
B3 ADJUST BLOWER EXHAUST

The unit is shipped in the top venting mode exhaust configuration. The vertical deflector plate should be repositioned to the angled position.

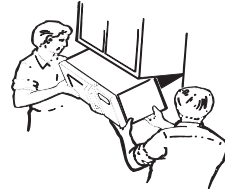
1. Remove damper mounting plate and diverter.



2. Install diverter in angled position and reinstall damper mounting plate.



B4 MOUNT THE KITCHEN HUB



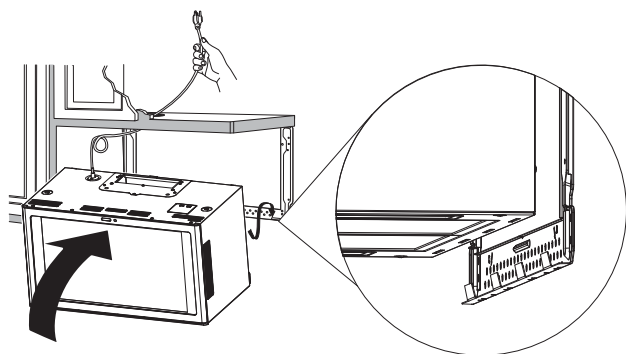
⚠ CAUTION To avoid the risk of personal injury (back injury or other injuries due to excessive weight of the unit) or property damage, you will need two people to install this product.

IMPORTANT: Do not put any pressure on front screen during installation.

⚠ WARNING Risk of Electric Shock. Can cause injury or death: If installing unit with metal cabinets, cover the edge of the power supply cord hole with the nylon grommet in hardware bag.

NOTE: When mounting the appliance, thread power cord through hole in bottom of top cabinet. Keep it tight throughout Steps 1–3. Do not pinch cord or lift unit by pulling cord.

1. Lift appliance, tilt it forward, and hook slots at back bottom edge onto four lower tabs of mounting plate.



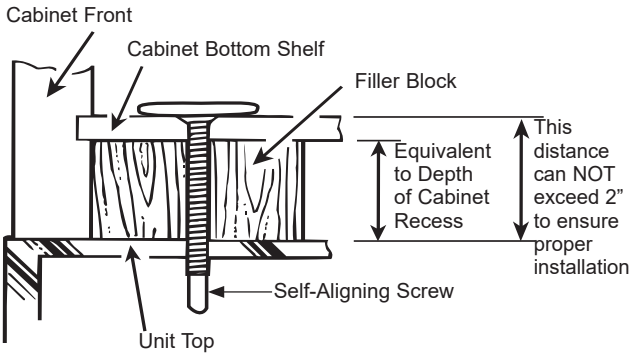
2. Rotate front of appliance up against cabinet bottom.

Installation Instructions

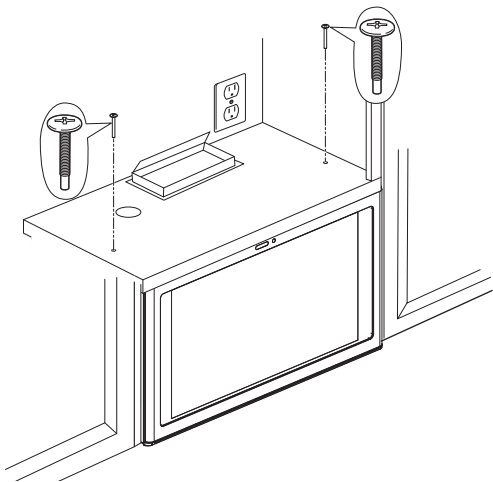
B. RECIRCULATING (Non-Vented Ductless) (Cont.)

B4 MOUNT THE KITCHEN HUB (Cont.)

3. Insert 2 self-aligning screws (1/4"-28 x 3-1/4") through outer top cabinet holes. Turn two full turns on each screw.

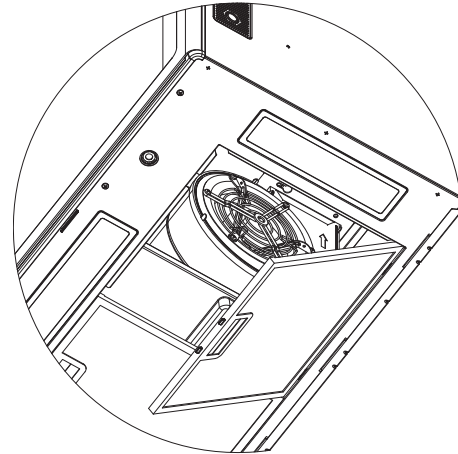
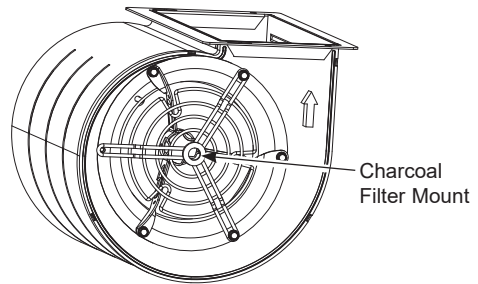


4. Tighten the two screws to the top of the unit. (While tightening screws, hold the unit in place against the wall and the top cabinet.)



B5 FILTERS

1. Remove grease filter and install a charcoal filter on each side of the motor as shown below.



B6 FINALIZE INSTALLATION

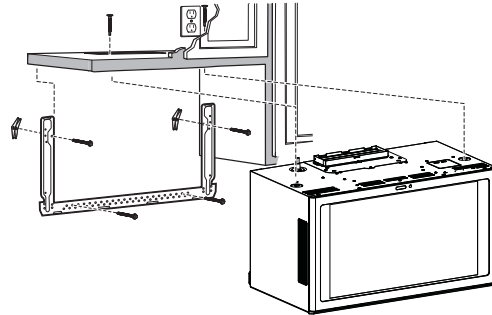
Plug in the unit.

Installation Instructions

C. OUTSIDE BACK EXHAUST (Horizontal Duct)

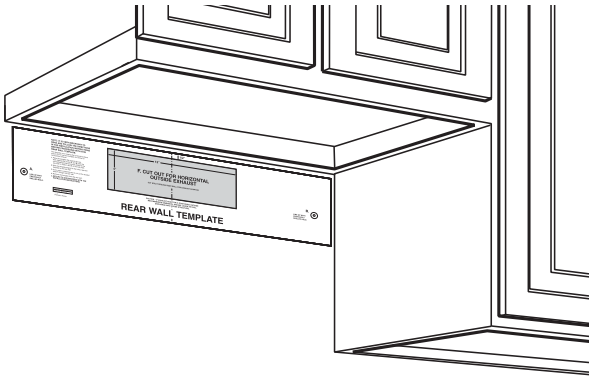
INSTALLATION OVERVIEW

- C1. Prepare Rear Wall
- C2. Attach Mounting Plate to Wall
- C3. Prepare Top Cabinet
- C4. Adjust Blower Exhaust
- C5. Mount the Kitchen Hub
- C6. Finalize Installation



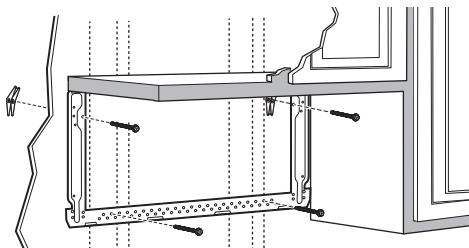
C1 PREPARING THE REAR WALL FOR OUTSIDE BACK EXHAUST

You need to cut an opening in the rear wall for outside exhaust.



- Read the instructions on the REAR WALL TEMPLATE.
- Tape it to the rear wall, lining up with the holes previously drilled for holes A and B in the mounting plate.
- Cut the opening, following the instructions of the REAR WALL TEMPLATE.

C2 ATTACH THE MOUNTING PLATE TO THE WALL

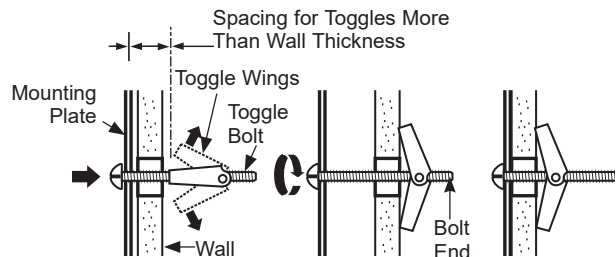


Attach the plate to the wall using toggle bolts. At least one wood screw must be used to attach the plate to a wall stud.

C2 ATTACH THE MOUNTING PLATE TO THE WALL (Cont.)

1. Remove the toggle wings from the bolts.
2. Insert the bolts into the mounting plate through the holes designated to go into drywall and reattach the toggle wings to 3/4" onto each bolt.

To use toggle bolts:



3. Place the mounting plate against the wall and insert the toggle wings into the holes in the wall to mount the plate.

NOTE: Before tightening toggle bolts and wood screw, make sure the tabs on the mounting plate touch the bottom of the cabinet when pushed flush against the wall and that the plate is properly centered under the cabinet.

⚠ CAUTION

Be careful to avoid pinching fingers between the back of the mounting plate and the wall.

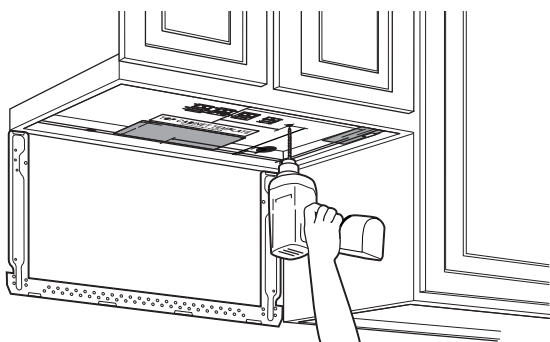
4. Tighten all bolts. Pull the plate away from the wall to help tighten the bolts.

Installation Instructions

C. OUTSIDE BACK EXHAUST (Horizontal Duct) (Cont.)

C3 USE TOP CABINET TEMPLATE FOR PREPARATION OF TOP CABINET

You need to drill holes for the top support screws and a hole large enough for the power cord to fit through.



- Read the instructions on the TOP CABINET TEMPLATE.
- Tape it underneath the top cabinet.
- Drill the holes, following the instructions on the TOP CABINET TEMPLATE.

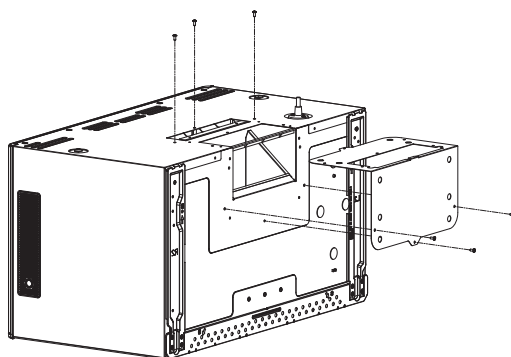
CAUTION Wear safety goggles when drilling holes in the cabinet bottom.

C4 ADJUST BLOWER EXHAUST

The unit is shipped in the top exhaust configuration. To adjust the unit to back exhaust remove damper mounting plate and reposition such that opening is in the back of the unit.

CAUTION Wear gloves to protect against sharp edges.

1. Remove 3 screws as shown and save.
2. Remove damper mounting plate by removing screws.



3. Reposition damper mounting plate such that opening is in the back of the unit.
4. Reattach screws.

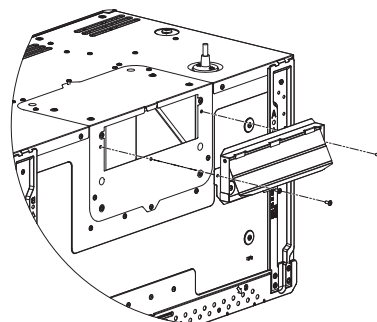
C5 ASSEMBLE AND INSTALL ADAPTER

1. Remove the tape from the damper. **Make sure that the damper pivots easily before mounting the unit.**

You will need to make adjustments to assure proper alignment with your house exhaust duct after the unit is installed.

2. Position the unit damper to back of the unit and secure it with the screws that were removed.

NOTE: Damper must hinge at the top as shown below.



Installation Instructions

C. OUTSIDE BACK EXHAUST (Horizontal Duct) (Cont.)

C6 MOUNT THE KITCHEN HUB

CAUTION To avoid the risk of personal injury (back injury or other injuries due to excessive weight of the unit) or property damage, you will need two people to install this product.



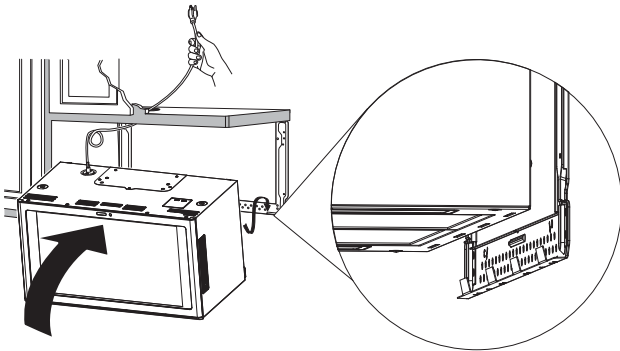
IMPORTANT: Do not put any pressure on front screen during installation.

WARNING Risk of Electric Shock. Can cause injury or death: If installing unit with metal cabinets, cover the edge of the power supply cord hole with the nylon grommet in hardware bag.

IMPORTANT: If filler blocks are not used, case damage may occur from overtightening screws.

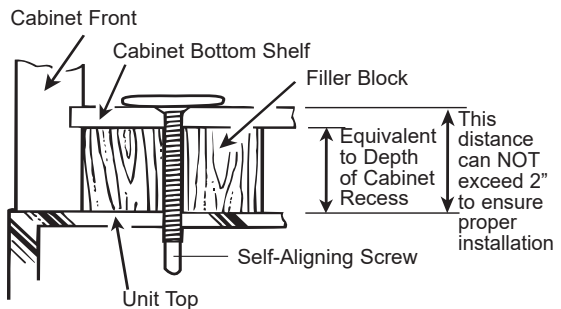
NOTE: When mounting the unit, thread power cord through hole in bottom of top cabinet. Keep it tight throughout Steps 1–3. Do not pinch cord or lift unit by pulling cord.

1. Lift unit, tilt it forward, and hook slots at back bottom edge onto four lower tabs of mounting plate.

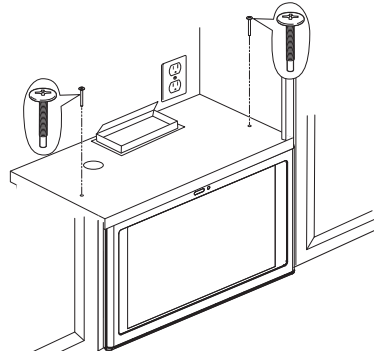


C6 MOUNT THE KITCHEN HUB (Cont.)

2. Rotate front of unit up against cabinet bottom.
3. Insert 2 self-aligning screws (1/4"-28 x 3-1/4") through top-center cabinet hole. Turn two full turns on each screw.



4. Tighten the 2 screws to the top of the unit. (While tightening screws, hold the unit in place against the wall and the top cabinet.)



C7 FINALIZE INSTALLATION

Plug in the unit.

Installation Instructions

MAKE UP AIR TECHNOLOGY

Note to Installers and Inspectors: This product comes equipped with a simple installation feature that limits maximum CFM levels in order to comply with certain local codes or regulations. This installation method may not be necessary for all installations, please refer to your local codes for further guidelines.

⚠ CAUTION Appliance must be disconnected from main power prior to performing the conversion instructions listed below. Failure to do so could result in personal injury or damage to the product.

To modify unit (if needed for local codes):

390CFM or 290CFM

By design, the maximum blower speed is greater than 400 CFM. For local codes requiring reduced CFM, modify the wiring as described below:

1. Remove the filters.
2. Remove the control board box cover.
3. Locate the motor harness plugged into the control board.
4. **A - For a maximum of 390 CFM
Unit can operate with 4 speeds
(Low, Medium, High, Boost).**
 1. Disconnect the connector of the blue wire from the red wire.
 2. Connect the 2 red wires together.

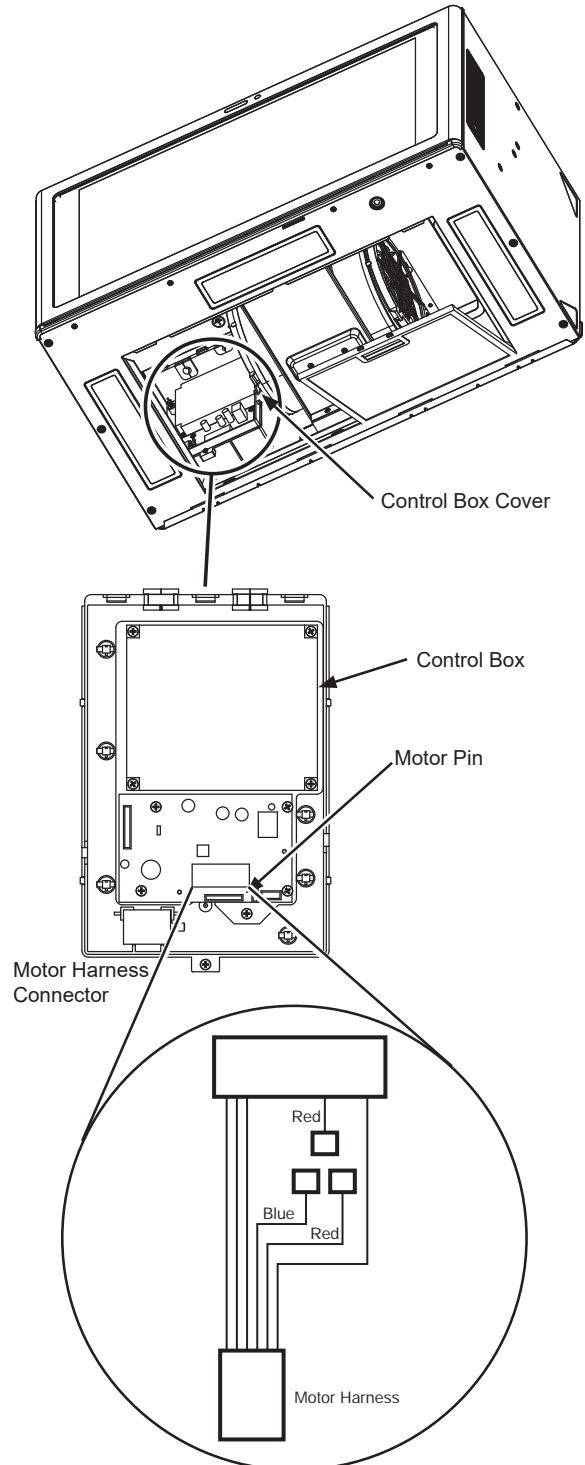
B - For a maximum of 290 CFM Unit can operate with 3 speeds (Low, Medium, High).

Disconnect the connector of the blue wire from the red wire.

NOTE: Boost speed will be disabled. Unit will operate Low, Med & High only.

5. Reattach the control board box cover and install Filters, see Filters section.

Note to Inspectors: To verify this product was installed in either configuration, check motor wiring connections as described above.



Troubleshooting tips ... Before you call for service

Save time and money! Review the charts on the following pages first and you may not need to call for service.

Problem	Possible Cause	What To Do
Fan/Light does not operate when button is turned ON	A house fuse may be blown or a circuit breaker tripped.	Replace fuse or reset circuit breaker.
Loud or abnormal airflow noise	Wrong duct size used in installation.	This unit requires 8" ducting to perform optimally. Using smaller duct pipe will cause reduced venting. Minimize the duct run length and number of transitions and elbows. GE Appliances service technicians cannot correct this issue if installed improperly.
Fan fails to circulate air or moves air slower than normal and/or fan is making loud or abnormal airflow noise	Obstructions in duct work.	Make sure nothing is blocking the vent. Make sure your wall or roof cap has a blade or door.
	Damper blade on wall or roof cap may not be open.	Make sure damper swings freely. Damper blades may flip over and will not fully open when this happens. Adjust to original position.
	Metal grease filter and charcoal filter (if present) may be dirty.	Clean the metal grease filter and replace charcoal filter (if present). See Care and Cleaning.
	Insufficient makeup (replacement) air	Sufficient makeup (replacement) air is required for exhausting appliances to operate to rating. Check with local building codes, which may require or strongly advise the use of makeup air. Visit GEAppliances.com for available makeup air solutions.
Fan keeps going off and on	The motor is probably overheating and turning itself off. This can be harmful to the motor.	Check to be sure the filters are clean. If off and on cycling continues, call for service.

GE Appliances Limited Warranty

GEAppliances.com

All warranty service is provided by our Factory Service Centers, or an authorized Customer Care® technician. To schedule service online, visit us at geappliances.com/service_and_support/, or call GE Appliances at 800.GE.CARES (800.432.2737). Please have your serial number and your model number available when calling for service.

Service your appliance may require the use of the onboard data port for diagnostics. This gives a GE Appliances factory service technician the ability to quickly diagnose any issues with your appliance and helps GE Appliances improve its products by providing GE Appliances with information on your appliance. If you do not want your appliance data to be sent to GE Appliances, please advise your technician not to submit the data to GE Appliances at the time of service.

For the period of	GE Appliances will replace
One year From the date of the original purchase	Any part of the cooking product which fails due to a defect in materials or workmanship. During this limited one-year warranty , GE Appliances will provide, free of charge , all labor and related service costs to replace the defective part.

What GE Appliances will not cover:

- Service trips to your home to teach you how to use the product.
- Improper installation, delivery, or maintenance.
- Failure of the product if it is abused, misused, modified, or used for other than the intended purpose or used commercially.
- Replacement of house fuses or resetting of circuit breakers.
- Damage to the product caused by accident, fire, floods, or acts of God.
- Damage to finish, such as surface rust, tarnish, or small blemishes not reported within 48 hours of delivery.
- Incidental or consequential damage caused by possible defects with this appliance.
- Damage caused after delivery.
- Product not accessible to provide required service.
- Service to repair or replace light bulbs, except for LED lamps.

EXCLUSION OF IMPLIED WARRANTIES

Your sole and exclusive remedy is product repair as provided in this Limited Warranty. Any implied warranties, including the implied warranties of merchantability or fitness for a particular purpose, are limited to one year or the shortest period allowed by law.

This limited warranty is extended to the original purchaser and any succeeding owner for products purchased for home use within the USA. If the product is located in an area where service by a GE Appliances Authorized Servicer is not available, you may be responsible for a trip charge or you may be required to bring the product to an Authorized GE Appliances Service location for service. In Alaska, the limited warranty excludes the cost of shipping or service calls to your home.

Some states do not allow the exclusion or limitation of incidental or consequential damages. This limited warranty gives you specific legal rights, and you may also have other rights which vary from state to state. To know what your legal rights are, consult your local or state consumer affairs office or your state's Attorney General.

Warrantor: GE Appliances, a Haier company
Louisville, KY 40225

Extended Warranties: Purchase a GE Appliances extended warranty and learn about special discounts that are available while your warranty is still in effect. You can purchase it online anytime at

geappliances.com/service_and_support/shop-for-extended-service-plans.htm

or call 800.626.2224 during normal business hours. GE Appliances Service will still be there after your warranty expires.

Staple your receipt here. Proof of the original purchase date is needed to obtain service under the warranty.

Accessories

Looking For Something More?

GE Appliances offers a variety of accessories to improve your cooking and maintenance experiences!

Refer to the Consumer Support page for phone numbers and website information.

The following products and more are available:

Parts

Make-up Air Kit

Charcoal Filter

Bump Out Kit

Filler Kit

Cleaning Supplies

CitruShine™ Stainless Steel Wipes

CERAMA BRYTE® Stainless Steel Appliance Cleaner

Bar Keepers Friend Soft Cleanser™

Consumer Support

GE Appliances Website

Have a question or need assistance with your appliance? Try the GE Appliances Website 24 hours a day, any day of the year! You can also shop for more great GE Appliances products and take advantage of all our on-line support services designed for your convenience. In the US: GEAppliances.com

Register Your Appliance

Register your new appliance on-line at your convenience! Timely product registration will allow for enhanced communication and prompt service under the terms of your warranty, should the need arise. You may also mail in the pre-printed registration card included in the packing material. In the US: GEAppliances.com/register

Schedule Service

Expert GE Appliances repair service is only one step away from your door. Get on-line and schedule your service at your convenience any day of the year. In the US: GEAppliances.com/service or call 800.432.2737 during normal business hours.

Extended Warranties

Purchase a GE Appliances extended warranty and learn about special discounts that are available while your warranty is still in effect. You can purchase it on-line anytime. GE Appliances Services will still be there after your warranty expires. In the US: GEAppliances.com/extended-warranty or call 800.626.2224 during normal business hours.

Remote Connectivity

For assistance with wireless network connectivity (for models with remote enable), visit our website at GEAppliances.com/connect or call 800.220.6899 in the US.

Parts and Accessories

Individuals qualified to service their own appliances can have parts or accessories sent directly to their homes (VISA, MasterCard and Discover cards are accepted). Order on-line today 24 hours every day. In the US: GEApplianceparts.com or by phone at 877.959.8688 during normal business hours.

Instructions contained in this manual cover procedures to be performed by any user. Other servicing generally should be referred to qualified service personnel. Caution must be exercised, since improper servicing may cause unsafe operation.

Contact Us

If you are not satisfied with the service you receive from GE Appliances, contact us on our Website with all the details including your phone number, or write to:

In the US: General Manager, Customer Relations | GE Appliances, Appliance Park | Louisville, KY 40225
GEAppliances.com/contact