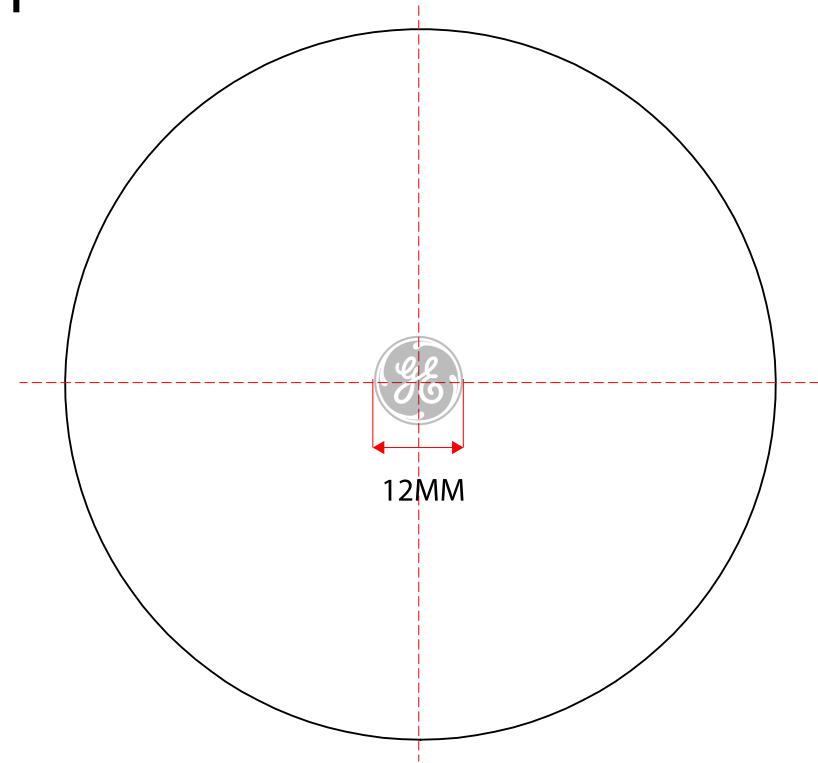


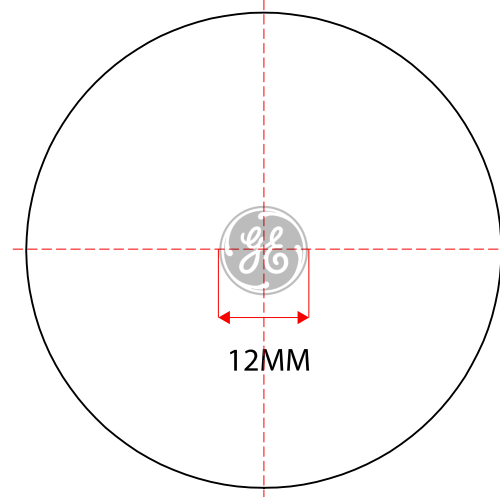
# GE SMART BULB BRANDING

1:1

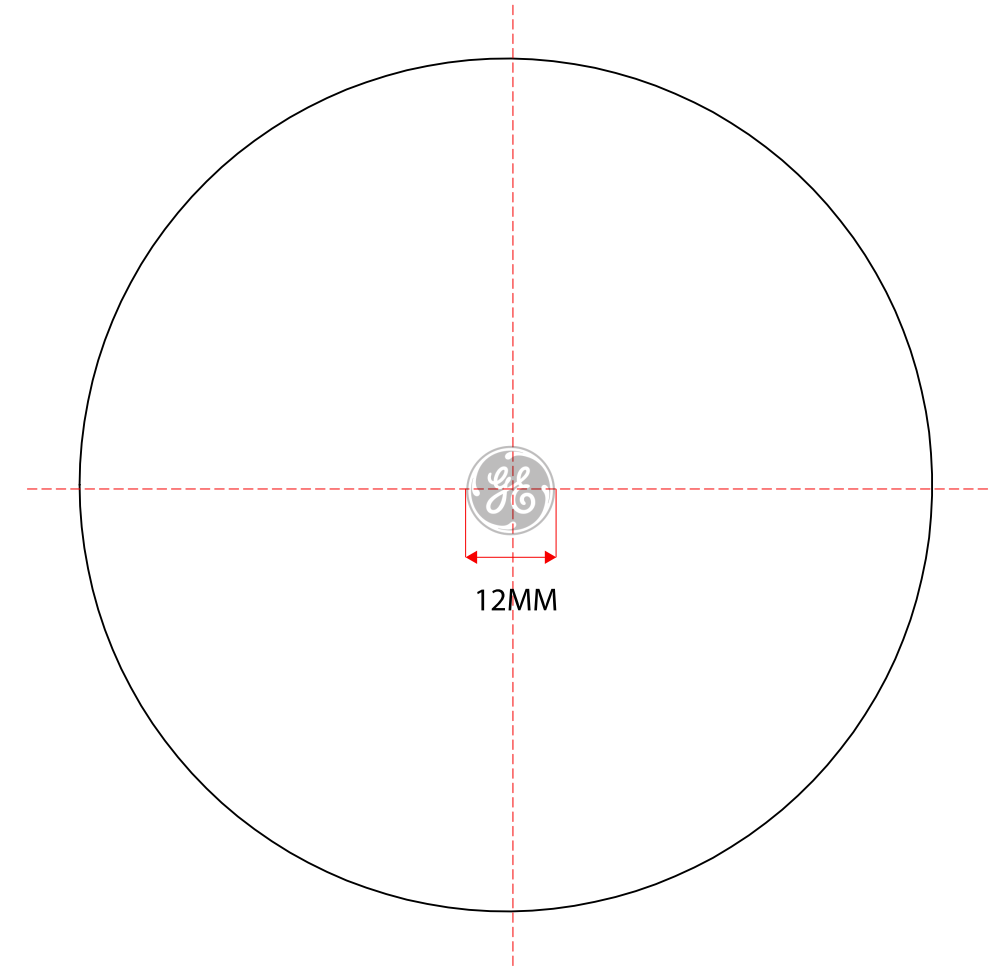
04JUNE14



BR30



A19



PAR38

POSITION: CENTER ON TOP OF PC

FINISH / TYPE: PAD PRINT WHITE @ 30% OPACITY

DESIGN SPEC SHEET

GE SMART BULB

DESC: BRANDING SPEC

20MAY14

UNIT: MM

SCALE: 1:1

DRAWN BY: FARIS ELMASU

CONFIDENTIAL



# GE SMART BULB BRANDING / REGULATORY

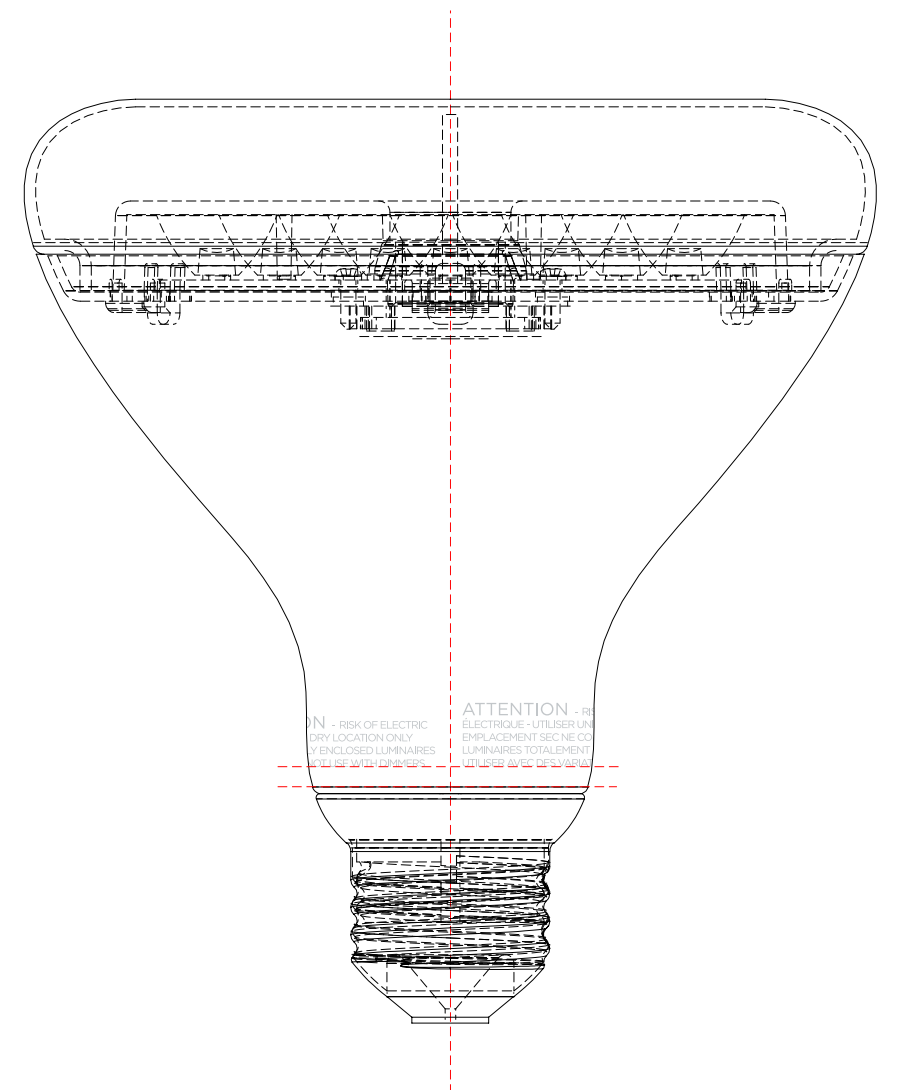
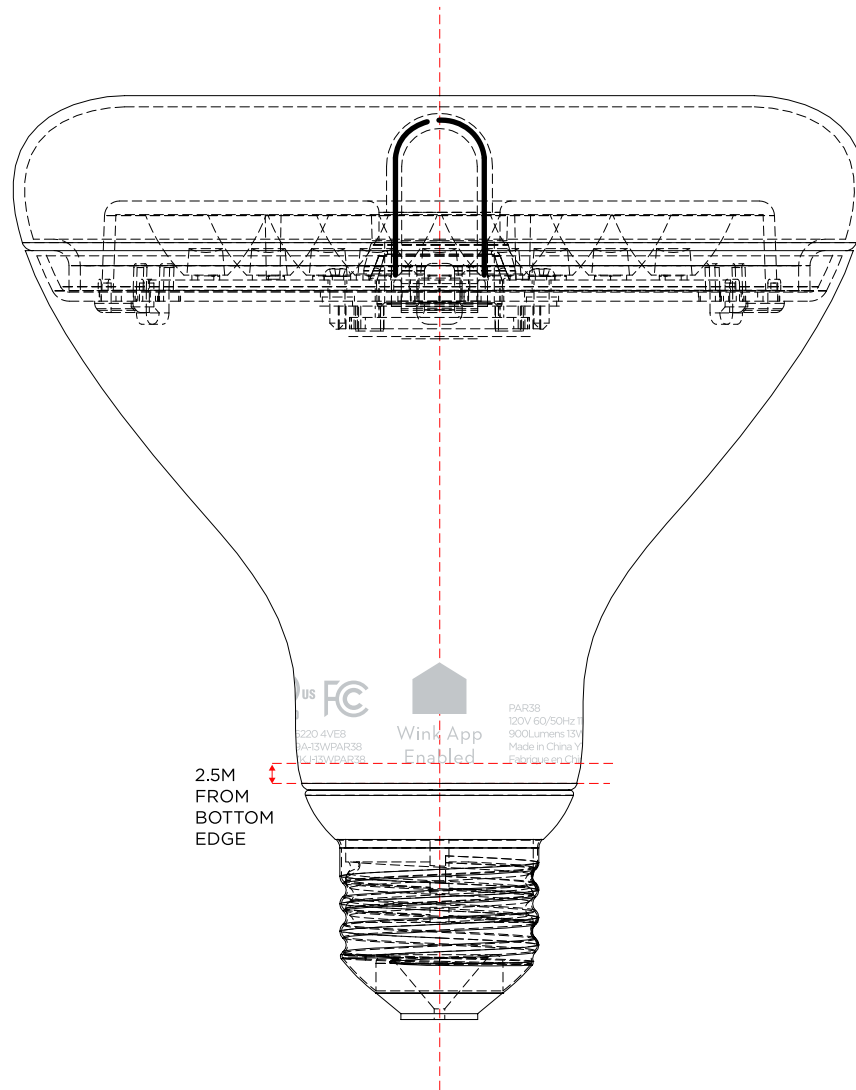
1:1

PAR38

09JUNE14



PAD PRINT: PANTONE 428C



PLEASE HAVE WINK LOGO IN LINE WITH THE FLAT SIDE OF THE ANTENNA (COPPER SIDE) AS SHOWN HERE.

DESIGN SPEC SHEET

GE SMART BULB

DESC: BRANDING SPEC

09JUNE14

UNIT: MM

SCALE: 1:1

DRAWN BY: FARIS ELMASU

CONFIDENTIAL

