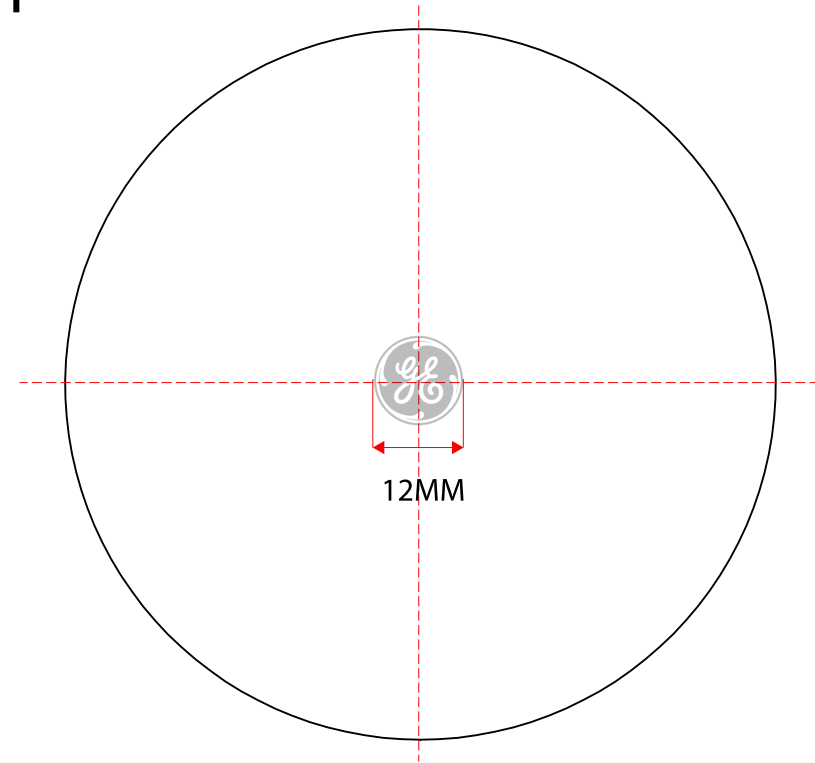


# GE SMART BULB BRANDING

1:1

04JUNE14



BR30

POSITION: CENTER ON TOP OF PC

FINISH / TYPE: PAD PRINT WHITE @ 30% OPACITY

DESIGN SPEC SHEET

GE SMART BULB

DESC: BRANDING SPEC

20MAY14

UNIT: MM

SCALE: 1:1

DRAWN BY: FARIS ELMASU

CONFIDENTIAL

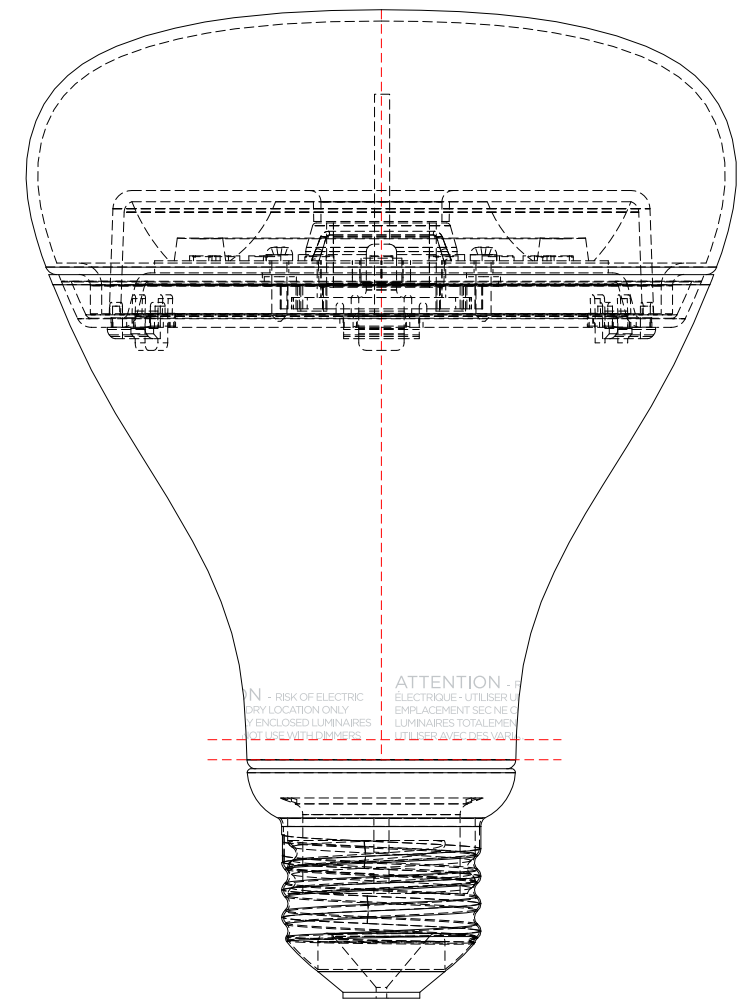
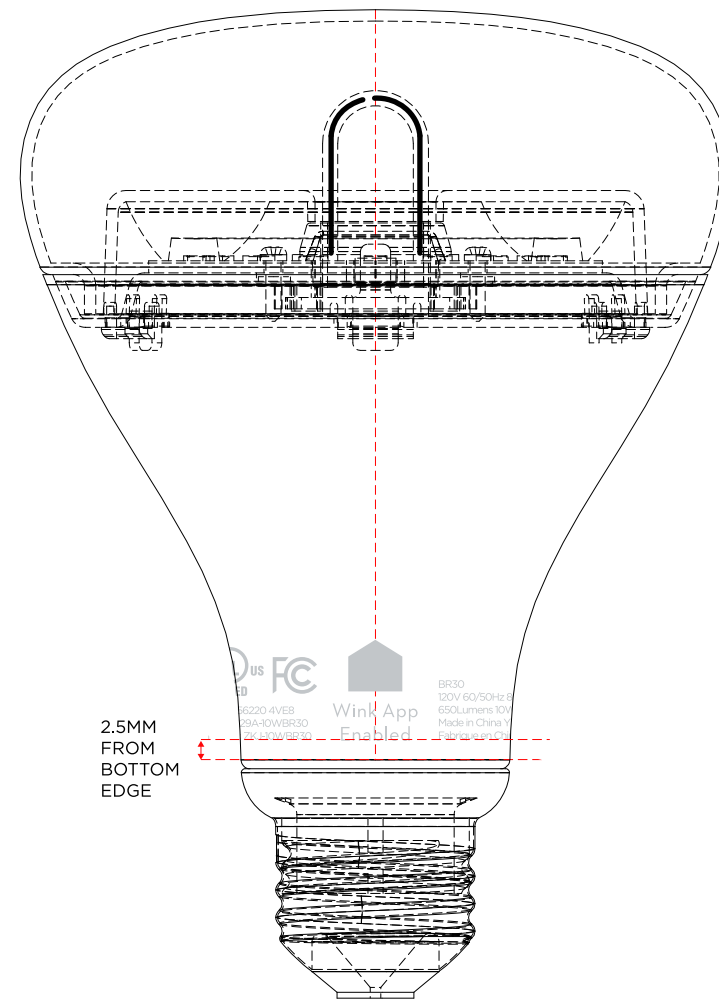


# GE SMART BULB BRANDING / REGULATORY

1:1

BR30

09JUNE14



PAD PRINT: PANTONE 428C



PLEASE HAVE WINK LOGO IN LINE WITH THE FLAT SIDE OF THE ANTENNA (COPPER SIDE) AS SHOWN HERE.

|                   |               |                        |
|-------------------|---------------|------------------------|
| DESIGN SPEC SHEET | GE SMART BULB | DESC: BRANDING SPEC    |
| 09JUNE14          | UNIT: MM      | SCALE: 1:1             |
|                   |               | DRAWN BY: FARIS ELMASU |

**CONFIDENTIAL**

