

Energizer®

ULTIMATE



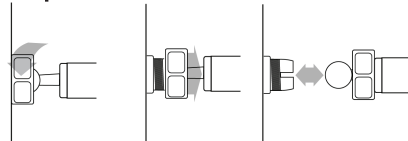
Wireless Charging Car Mount

MODEL: ENG-UQIGRIP

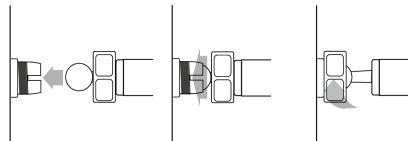
Features

- Securely fasten your mobile devices in seconds
- Universal design to fit most mobile devices
- Easy to install and release on vehicles windshield, dashboard or air vent (with included Vent Attachment)
- Fast charges your wireless powered device in minutes with certified Qi technology

Grip Arm Instructions

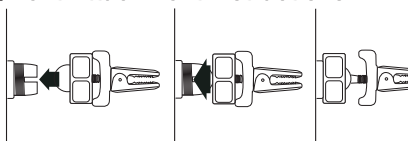


Loosen and remove the tensioner collar from the ball/socket assembly and remove the ball end of the mount from the socket on the mounting base. Note: Do not remove the collar from around the ball end.



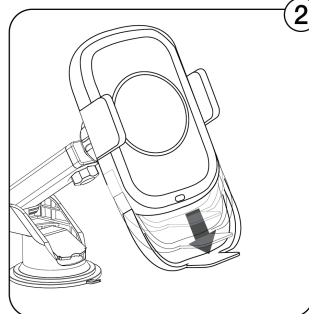
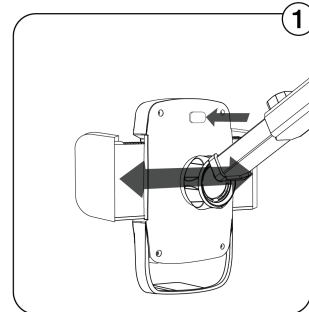
Place the ball end of the mount against the socket of the new mounting base. Thread the collar onto the base and retighten. DO NOT OVERTIGHTEN.

Vent Attachment Instructions



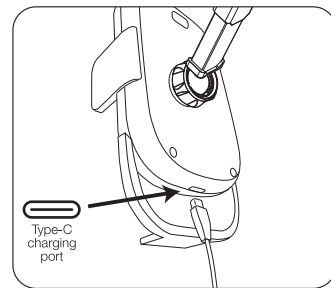
Place the ball end of the vent attachment against the socket of the mounting base. Thread the collar onto the base and retighten. DO NOT OVERTIGHTEN.

- 1) Press back button to open gripping arms
- 2) Adjust bottom support to accommodate the size of your phone and to ensure the charging coil is in correct place
- 3) Place phone on the mount and press gripping arms inward to secure phone in place

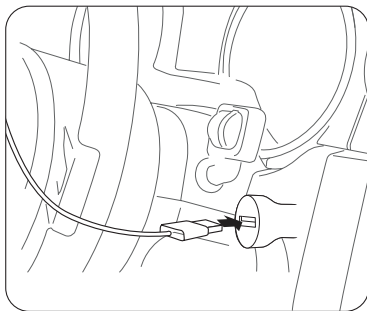


Cable Installation

Locate the Type-C charging port at the bottom of the mount and connect the Type-C cable included in pack as shown.



Connect USB cable to your car charger (not included) to power charge your phone



1 Year Limited Warranty

Premier Accessory Group, LLC warrants that the enclosed product will be free from defects in materials and workmanship for a period of 1 year from the date of initial retail purchase. This warranty is for the original retail purchaser only and is not transferable. This warranty does not cover damage caused by accident, unreasonable use or modifications to the product. During the 1-year Warranty period we will either repair or replace this product (at our option). Please include a money order or cashier's check for the amount of \$4.95 for shipping and handling of this product.

Send product to:
Premier Accessory Group
Attn: Product Support Center
305 Clearview Avenue Edison, NJ 08837

This guarantee gives you specific legal rights, and you may also have other rights which vary from state to state.

For additional information or questions about this product call us toll free at 888-492-8338 or email us at info@premieraccessory.com.

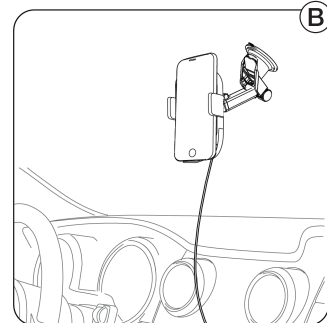
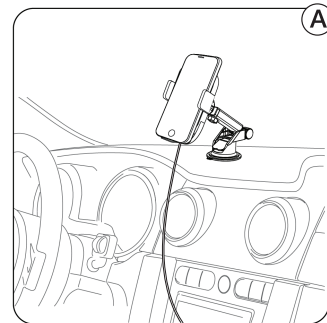
© 2019 Premier Accessory Group, LLC. All rights reserved. Questions? Visit www.PremierAccessoryGroup.com or call 1-888-492-8338 Toll Free

© 2019 Energizer. Energizer and certain graphic designs are trademarks of Energizer Brands, LLC and related subsidiaries and are used under license by Premier Accessory Group, LLC. All other brand names are trademarks of their respective owners. Neither Premier Accessory Group, LLC, nor Energizer Brands, LLC is affiliated with the respective owners of their trademarks.

The 'Qi' symbol is a trademark of the Wireless Power Consortium.

Mount Installation

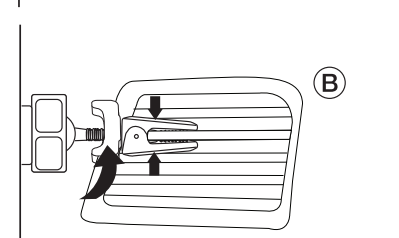
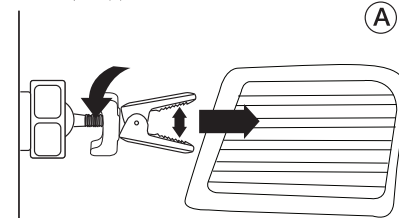
Use mount on the dashboard (A) or on the windshield of your car (B).



Vent Option Installation

A)- Unwind the butterfly knot to open vent mount attachment and place mount into air vent.

B)- Close attachment by winding up butterfly knot until feel secure in place(B).



NOTE: To achieve maximum potential output of 10 Watts, you must use a USB car charger with QC 3.0 technology (Sold separately).

Warning: Changes or modifications to this unit not expressly approved by the part responsible for compliance could void the user's authority to this unit not expressly approved

Troubleshooting

Phone not charging:

- Make sure you have a phone with Qi certified charging built in*
- Make sure nothing is between phone and charger
- Phone case may be too thick
- Adjust bottom support to ensure the charging coil is in correct place

* For a list of compatible phones visit wirelesspowerconsortium.com

FCC Statement

This device complies with part 15 of the FCC rules. Operation is subject to the following two conditions (1) this device may not cause harmful interference, and (2) this device must accept any interference received, including interference that may cause undesired operation.

NOTE: This equipment has been tested and found to comply with the limits for a Class B digital device, pursuant to part 15 of the FCC Rules. These limits are designed to provide reasonable protection against harmful interference in a residential installation.

This equipment generates, uses and can radiate radio frequency energy and, if not installed and used in accordance with the instructions, may cause harmful interference to radio communications. However, there is no guarantee that interference will not occur in a particular installation. If this equipment does cause harmful interference to radio or television reception, which can be determined by turning the equipment off and on, the user is encouraged to try to correct the interference by one or more of the following measures:

- Reorient or relocate the receiving antenna.
- Increase the separation between the equipment and receiver.
- Connect the equipment into an outlet on a circuit different from that to which the receiver is connected.
- Consult the dealer or an experienced radio/ TV technician for help.

FCC Radiation Exposure Statement

The device has been evaluated to meet general RF exposure requirement.

The device can be used in fixed/mobile(min 20) exposure condition without restriction.