

# Wireless Soundbar Home Theatre Sound System

## User Manual

### contents

Safety instructions.....	2
Electrical conducts: .....	2
Technical conducts:.....	2
Operation conducts: .....	2
Environmental conducts:.....	2
FCC Warning .....	2
Qverview .....	3
Product: .....	3
Remote: .....	3
Operation .....	4
Install the Remote Control: .....	4
Get Started: .....	4
Bluetooth Pairing: .....	4
Optical Source:.....	4
AUX Source:.....	5
Line in Source: .....	5
Indicator light:.....	5
Trouble shooting .....	5
Specifications .....	6

# Safety instructions

## Electrical conducts:

To reduce the risk of electric shock, do not remove cover. No user serviceable parts inside. Refer servicing to qualified service personnel.  
Before you connect the appliance, ensure the voltage rating on the type plate corresponds to your mains voltage (type plate is located on the back side of the unit).

## Technical conducts:

Repairs to electrical appliances should only be performed by qualified personnel. Improper repairs may place the user and/or equipment at serious risk.

Do not operate this appliance with a damaged plug or cord, after a malfunction or after being dropped or damaged in any way.

If the supply cord is damaged, it must be replaced by the manufacturer, its service agent or similarly qualified people in order to avoid a hazard.

Do not push objects into any openings as damage to the equipment and/or electric shock may occur.

If abnormal noise, smell, smoke or any other failure is discovered during operation, turn off the product and unplug the power plug. Then contact the service center for repair.

Do not remove the appliance from the mains power supply by pulling the cord; pull the plug.

## Operation conducts:

This equipment is not intended for use by people (including children) with reduced physical, sensory or mental capabilities or lack of experience or knowledge. They should be given appropriate supervision and instructions to use the equipment by a person responsible for their safety.

This product is not a toy. Never leave the equipment near children.

This equipment is intended for household use only and should not be used for industrial or commercial purposes.

Do not use this equipment for anything other than its intended use.

Do not immerse the product in water or any other liquid.

Always unplug the appliance after use and before any cleaning or user maintenance.

## Environmental conducts:

Ensure the equipment is not too close to heat emitting appliances or placed in direct sunlight.

Do not use this appliance outdoors.

## FCC Warning

WARNING: To assure continued operation, follow the attached installation instructions and use only shield cables when connection to other devices. Changes or modifications not expressly approved by the party responsible for compliance could void the user's authority to operate the equipment.

NOTE: This equipment has been tested and found to comply with the limits for a Class B digital device, pursuant to Part 15 of the FCC Rules. These limits are designed to provide reasonable protection against harmful interference in a residential installation. This equipment generates, uses, and can radiate radio frequency energy and, if not installed and used in accordance with the instructions, may cause harmful interference to radio communications. However, there is no guarantee that interference will not occur in a particular installation. If this equipment does cause harmful interference to radio or television reception, which can be determined by turning the equipment off and on, the user is encouraged to try to correct the interference by one or more of the following measures:

Reorient or relocate the receiving antenna.

Increase the separation between the equipment and receiver.

Connect the equipment into an outlet on a circuit different from that to which the receiver is connected.

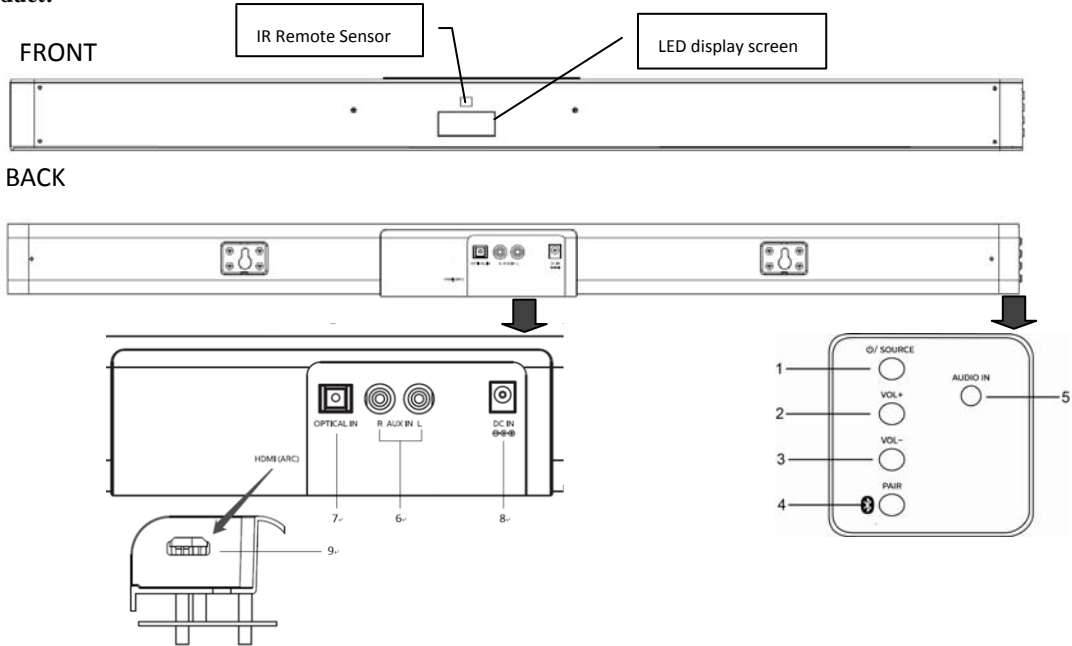
Consult the dealer or an experienced radio/TV technician for help.

This device complies with Part 15 of the FCC Rules. Operation is subject to the following two conditions:

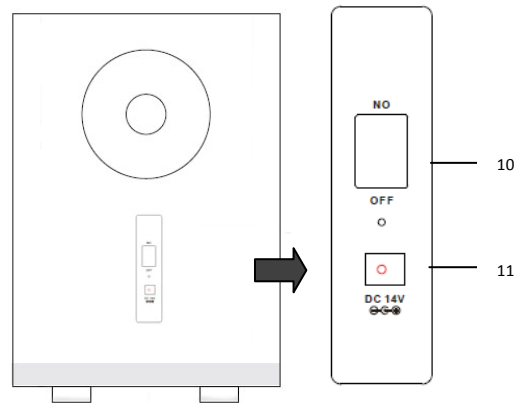
(1) This device may not cause harmful interference, and (2) this device must accept any interference received, including interference that may cause undesired operation.

# Overview

## Product:

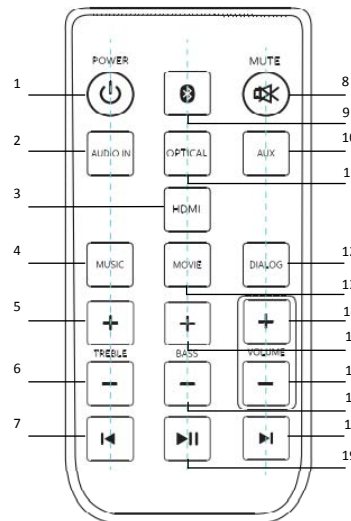


- 1: /SOURCE: Short press boot, short press conversion function, long press shutdown;
- 2: VOL+: Short or long volume up;
- 3: VOL-: Short or long volume down;
- 4: PAIR: Short or long press Bluetooth pair;
- 5: AUDIO IN;
- 6: AUX IN (L/R);
- 7: OPTICAL IN;
- 8: Sound bar DC IN;
- 9: HDMI IN;
- 10: Subwoofer Power button;
- 11: Subwoofer DC IN.



## Remote:

- 1: : Short push boot and shutdown;
- 2: AUDIO IN : Short push AUDIO IN mode;
- 3: HDMI: Short push HDMI mode;
- 4: MUSIC : Short push through sound effect
- 5: TREBLE+: Short-click treble sound effect rating increased
- 6: TREBLE-: Short descending by the sound effect grade of a high voice
- 7: : Short press jump last song in Bluetooth mode;
- 8: MUTE : Short press mute and open sound
- 9: : Short push Bluetooth mode; long press Bluetooth pair;
- 10: AUX IN: Short push AUX IN mode;
- 11: OPTICAL IN: Short push OPTICAL IN mode;
- 12: DIALOG : Short click speech sound effect;
- 13: MOVIE : Short press cinema sound effect;



- 14: VOL+ : Short or long press volume up;
- 15: BASS+ : Short press bass rating increases
- 16: VOL- : Short or long volume down;
- 17: BASS-: Short press bass rating decrease;
- 18: ►|: Short press jump next song in Bluetooth mode;
- 19: ►||: Short press to play and pause music in Bluetooth mode;

## Operation

### Install the Remote Control:

The Remote Control has a pre-installed lithium CR2025 battery. Remove the protective tab to activate the Remote Control battery.  
Note: The Remote Control works within a range of 6 meter.

### Get Started:

1. Make sure you have made all the necessary cable connections before you connect the sound bar to a wall outlet, the sound bar will enter to standby mode, the indicator will light up.
2. Make sure the subwoofer is connected to the power, and turn the button to "ON".
3. Short press the Main Power Switch on the back of the sound bar to turn on the sound bar. The indicator of the last used mode will light up.
4. Press the Source button on the sound bar or Remote Control to choose an audio source. The color of the indicator light will change as you switch mode.

Note: The sound bar will re-enter the Standby Mode again if there is no operation for 15 minutes.

### Bluetooth Pairing:

1. Press the Bluetooth button on the remote control to enter the Bluetooth mode. You can also short press the source button on the sound bar to choose the Bluetooth source.
2. The LED display screen will show "BT".
3. Turn on the Bluetooth function on your device and the device will start to search for the Sound bar.
4. Select "XS-SPEAKER" from the list of found devices.
5. If asked, enter the password "0000" and press OK.
6. When successfully paired with your device, the indicator light will be lit steadily.

Note: The Bluetooth playback is controlled by your device and the buttons on the remote control and the sound bar.

Note: The operation range for the Bluetooth connection is 6 meters.

Note: If a mobile phone on which you are playing music receives a call, the music will be interrupted. The sound however is not played back via the sound bar. After you have ended the call, the devices are connected to each other again and playback continues.

7. Press and hold the Play/Pause button on the Remote Control for 3 seconds to disconnect the Bluetooth pairing.

### HDMI Source:

1. Ensure that the sound bar is connected to the TV or other audio device via HDMI cables.
2. Press the HDMI button on the remote control to enter the desired mode. You can also short press the source button on the sound bar to choose the HDMI source.
3. The LED display screen will show "HDMI".

Note: The device can synchronize the volume with the TV, and also with the switch.

Note: The device can synchronize power on with the TV, while the sound bar is connected to the TV other audio device via HDMI cables, and also can synchronize power off with the TV in HDMI mode.

### Optical Source:

1. Ensure that the sound bar is connected to the TV or other audio device via optical cables.

2. Press the OPTICAL button on the remote control to enter the desired mode. You can also short press the source button on the sound bar to choose the OPTICAL source.
3. The LED display screen will show "OPT".

Note: The playback is controlled by your device and by the buttons on the remote control and the sound bar.

### AUX Source:

1. Ensure that the sound bar is connected to the TV or other audio device via an AUX cable.
2. Press the AUX button on the Remote control to enter the mode. You can also short press the source button on the sound bar to choose the AUX source.
3. The LED display screen will show "AUX".

Note: The playback is controlled by your device and by the buttons on the remote control and the sound bar.

### Line in Source:

1. Ensure that the sound bar is connected to the TV or other audio device via an audio cable.
2. Press the LINE IN button on the remote control to enter the mode. You can also short press the source button on the sound bar to choose the LINE IN source.
3. The LED display screen will show "A-IN".

Note: The playback is controlled by your device and by the buttons on the remote control and the sound bar.

### Indicator light:

Light color	Status
Red	Line in function
Green	Optical function
White	AUX function
Blue	Bluetooth function

## Trouble shooting

Troubles	Solutions
Pairing connection via Bluetooth cannot be completed	Other mobile device has connected before use and the mobile device has not left as well as its Bluetooth is not off. When it connects, Bluetooth of this device will automatically find the Bluetooth device and connect. First, turn off Bluetooth device can be found and normally paired to connect.
Volume of playback via Bluetooth is small	<ol style="list-style-type: none"> <li>1. After connections with mobile devices, Volume of Bluetooth device is not up but at the default output level. Turn on the mobile device output.</li> <li>2. Output volume of Bluetooth device is low itself.</li> </ol>
Connection distance via Bluetooth is not short	Obstruction exists between mobile devices and Bluetooth device. Remove obstructions.
Connection via Bluetooth is right, sometimes staccato	<ol style="list-style-type: none"> <li>1. Obstruction exists between mobile devices and Bluetooth device. Remote obstructions.</li> <li>2. Too far away from Bluetooth device to connected mobile devices. Beyond the connection range.</li> <li>3. Shorten the distance between the Bluetooth device and mobile devices.</li> </ol>
Silent play after connection via Bluetooth	After connections with mobile devices, Bluetooth device and mobile audio is off. Turn on the mobile's output volume.
Pair to the wireless subwoofer with sound bar	Turn on the sound bar, then press and hold both the button of Volume+ and Volume-, then turn on the subwoofer, the red LED will flash for 4 times, then restart the device, and finish the pair.

## Specifications

Product name	SR213C
Output power	15W*2+30W
Speaker driver	14V/2A *2
Speaker frequency	50Hz-15KHz
Bluetooth frequency	2402~2480 GHz
Bluetooth version	5.0
Bluetooth range	Up to 10m
Included in the packaging	Sound bar *1 Subwoofer *1 Remote *1 AC adapter *2 RCA cable *1 User manual *1 Wall anchors *2 Screws *2