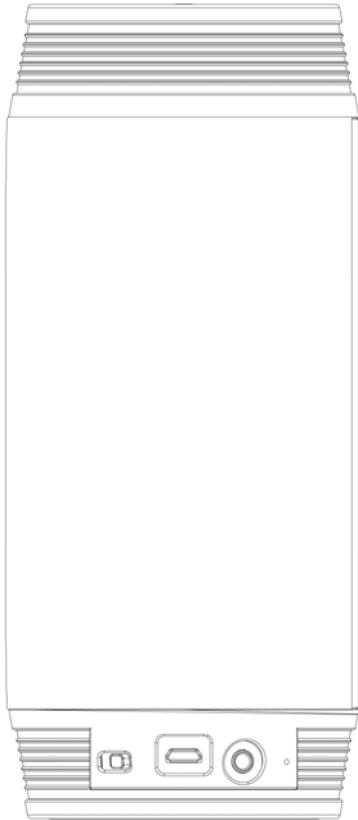


CK208t Operating Manual



Contents

1. Preface -----	2
2. Packing list -----	2
3. Introduction -----	2
4. Precautions -----	2
5. Product panel -----	3
6. Operating instruction -----	6
7. Compatibility -----	9
8. Main technical parameters -----	9
9. Troubleshooting -----	9

The pictures are for reference only and may differ from the actual product you receive!

1. Preface

To users

Welcome to use Shengtianlong Product! We thank you very much for your appreciation!

For maximum performance of the device, please carefully read this Operating Manual before use in order to know the connection method of the system and points of use. You will know that we have made great efforts to satisfy all your needs in the aspects of design, production process and humanized operation.

Please properly keep this Operating Manual for future reference.

Open the package

Please make sure the following items are contained in the package and place them in order to avoid loss.

2. Packing list

- | | |
|---|---|
| <input type="checkbox"/> Device | 1 |
| <input type="checkbox"/> Operating manual | 1 |
| <input type="checkbox"/> Micro USB cable | 1 |



3. Introduction

This product is a portable audio system supporting Bluetooth playback, external audio source input and amplification. The product adopts digital signal processing technology is applicable to office and family environments. It is able to wirelessly connect to most devices and mobile phones with Bluetooth function for music playback. In addition, the product has a magical color lamp function.

4. Precautions

We appreciate you for purchasing our digital audio product.

Please carefully read through this operating manual for proper use of this product. In order to provide better service to the users, the contents in this manual may be changed from time to time due to changes in the performance and functions of the product and such changes are not to be notified in advance.

For good performance of the product, please don't use it any a place with extreme temperature or in dusty or humid environment. Special attentions should be paid especially in the following conditions:

1. Operating in humid environment and under water
2. Beside heater or in high temperature environment
3. Under direct sunlight
4. Easy to drop
5. Don't disassemble the product otherwise the warranty will become invalid.

Warning



1. Please avoid from water drop or splash, and don't place any articles containing liquid on the device such as vase to avoid accident.

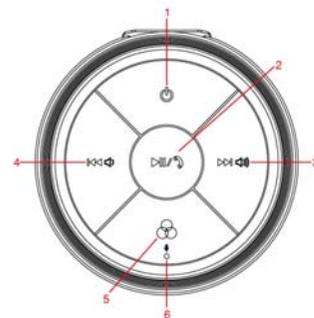


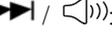
2. Please make sure the supply voltage conforms to the rated voltage of the product to avoid fire or electric shock.

5. Product panel

Buttons and ports

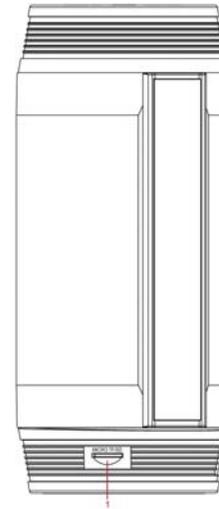
There are 5 buttons, 2 ports and 1 switch on the panel which are defined below:



1. : Press it to power on and switch function, and press and hold it to power off
2. : In Bluetooth playback state, press this button to play/pause; press and hold this button for Bluetooth pairing. When there is an incoming call, press it to answer/end the call, or press and hold it to reject the call.
3. : Press this button to go to next track, or press and hold it to increase value.
4. : Press this button to go to previous track, or press and hold it to decrease value.
5. : Press this button to switch among different modes.
6. : The microphone for hands-free function.



1. OFF/ON: Power switch
2. DC 5V: DC 5V port for charging the built-in lithium battery.
3. AUX IN: External audio source input (Spec: 3.5mm jack)
4. : Charging indicator lamp
5. : Function indicator lamp



6. MICRO TF/SD: TF/SD playback port

LED indicator:

LED (blue lamp): Bluetooth function indicator lamp remains on in blue (machine base)

LED (green lamp): AUX function indicator lamp remains on in green (machine base)

LED (cyan lamp): SD/TF card function indicator lamp remains on in cyan (machine base)

LED (red lamp): The indicator lamp remains on in red during charging and goes off when charging completes (machine base)

Power supply mode:

The device is powered by the built-in 3.7V lithium battery. Push the “OFF/ON” switch to the “ON” position to power on the device.

Remark: A. The built-in 3.7V lithium battery may be self-consuming so we recommended you to charge the battery for 3 to 5 hours before first use, and remember to charge the battery at least once every month.

B. In any state or during any time, you can charge the built-in 3.7V lithium battery by connecting one end of the attached Micro USB cable to the PC and the other end to the USB port of the device (it takes about 3 hours to fully charge an empty battery).

C. You can use any DC 5V (500 – 2500 mA) power adaptor to charge and use the device.

D. Due to large power consumption, the device may not work properly during charging, so please fully charge the battery and disconnect the Micro USB cable before use.

Voice prompt of battery level:

1. Every time when use presses the “” button to power on the device, it will detect the battery level automatically and prompt you by different voices: “The battery level is high”, “The battery level is middle” or “The battery level is low”.
2. In the Bluetooth playback mode, when the battery level reduces, the device will detect low battery level automatically and prompt you by the voice “Low battery level” and in such case you need to charge the battery.

6. Operating instruction

Power on:

Fully charge the built-in 3.7 V lithium battery and push the “OFF/ON” switch to the “ON” position, the device is powered, and then press the “” button to power on.

● Bluetooth playback mode:

After power on, the device enters in the Bluetooth mode by default and starts scanning automatically.

- 1). Put your mobile phone within 3 meters away from the device;
- 2). Enable Bluetooth function on your mobile phone and start searching for Bluetooth device (refer to the operating instruction of your mobile phone for details);
- 3). In the list of the found devices select “CK208t” and click Connect;
- 4). If your mobile phone requires you to enter the password, please enter “0000” and confirm to pair the phone and the device;
- 5). Press return on your phone to exit and make sure your phone is within 10 meters away from the device without any barriers between them. Now you can play the music on your mobile phone via the device;
- 6). Press the “” button to play/pause the music. Press the “ / ” or “ / ” button to select previous/next track.

Bluetooth connection mode:

If the earphone icon doesn't appear on your mobile phone screen before use, please activate the Bluetooth connection by the following steps:

- (1) Select “CK208t” in the list of found devices and click Connect;
- (2) Select “Pairing” on your mobile phone;
- (3) To disconnect the Bluetooth, press and hold the “” button, or select Disconnect on your mobile phone, the Bluetooth will go to standby mode. At this time you can connect to another mobile phone for Bluetooth playback.

Hands free function:

During Bluetooth playback, when there is an incoming call, you will hear the ring tone in the speaker of the device. At this time press the “” button to answer the call.

End a call:

In hands free state, press the “▶||/📞” button the end a call and return to music playback mode.

Reject a call:

When there is an incoming call, press and hold the “▶||/📞” button for more than 3 seconds to reject the call.

● AUX IN mode:

When the device is powered on, if you connect a 3.5mm AUX audio cable to the AUX IN port on the device, it will switch to AUX IN mode. In such case, connect the audio cable of the external audio source such as MP3/CD to the AUX IN port of the device to play the music on it (please properly adjust the volume of the external audio source and start playing on the audio source).

MICRO TF/SD playback mode:

When the device is powered on and under any mode, if you insert a TF/SD card into the device, it will play the music stored in the card automatically. Press the “▶||/📞” button to play/pause; press the “◀◀/📞” or “▶▶/📞” button to select previous/next track.

Volume adjustment:

When the device is powered on, under any playback mode, press and hold the “◀◀/📞” button to decrease value; press and hold the “▶▶/📞” button to increase value.

Color lamp mode switch function:

When the device is playing music, each time you press the “🔆” button on the device, the color of the lamp will change. The single color lamp can switch among five different colors including: red, yellow, green, blue and purple; and five different flashing modes including: compress mode, flow mode, stretch mode, music frequency mode and firework mode. The user can press the “🔆” button on the device to select any mode according to their personal references to enjoy a wonderful dynamic life.

Function switch mode:

- A. When no SD/TF card is inserted and no AUX cable is connected, you cannot switch function by pressing the “🔆” button and it will remain in Bluetooth mode only.
- B. When a SD/TF card is inserted or an AUX cable is connected, press the “🔆” button to switch modes among: “Bluetooth”→“AUX IN”→“SD/TF card”.
- C. Under any playback mode, if a SD/TF card is inserted or an AUX cable is connected, the device will switch to the last inserted or connected function.

Power off:

When the device is on, press and hold the “🔆” button the turn off the device to standby mode, or push the “OFF/ON” switch to the “OFF” position to completely power off the device.

7. Compatibility

The device in theory supports connecting to all mobile phones and devices with Bluetooth function to play music.

8. Main technical parameters

1. Bluetooth: V4.0
2. Output power: Output level 2, max. connection distance ≥ 10 m
3. Rated output power: L: 2W R: 2W
4. Working frequency: 2.4GHz-2.480GHz
5. Supported Profiles: HFPV1.5, A2DPV1.2, AVRCPV1.0
6. Speaker impedance: 4Ω
7. Dimensions: H 186× diameter 81(mm)
8. Weight: about 495g (main machine)

The specifications and design of the product are subject to change without prior notice.

9. Troubleshooting

Fault	Solutions
-------	-----------

Bluetooth pairing is not successful	When the device has been connected to a mobile phone before, and such phone is still near the device with its Bluetooth function enabled, then the device will be automatically connected by this mobile phone. If you need to connect to another mobile phone, please disable the connection before.
Low volume during Bluetooth playback	1. When the device is connected the mobile phone, the volume of the mobile phone is too small or under the default output, please increase the volume. 2. The volume of the mobile phone is too small and cannot be increased.
Bluetooth connection distance is too short	There is barrier between the mobile phone and the device, please remove the barrier.
The sound is breaking up during Bluetooth playback	1. There is barrier between the mobile phone and the device, please remove the barrier. 2. The device is too far away from the mobile phone, please place the mobile phone and the device closer to each other.
There is no sound during Bluetooth playback	When the device is connected the mobile phone, the audio of the mobile phone is turned off, please turn on and increase the volume on your mobile phone.

<p>The device cannot connect to more devices via Bluetooth</p>	<p>The device is being connected to a mobile phone, if you want to connect to another mobile phone, you must disable the connection before, or press and hold the “▶ /↶” to search for Bluetooth device again, and select the name of the device click Connect on the new phone.</p>
--	---

Remark: if the above solutions fail to work, please contact our technicians or customer service for maintenance.

CAUTION

Danger of explosion if battery is incorrectly replaced.

Replace only with the same or equivalent type.

A warning that batteries (battery pack or batteries installed) shall not be exposed to excessive heat such as sunshine, fire or the like.

Note:

The statements should be displayed in the user manual:

changes or modifications not expressly approved by the party responsible

for compliance could void the user’s authority to operate the equipment.

This equipment has been tested and found to comply with the limits for a Class B digital device, pursuant to Part 15 of the FCC Rules. These limits are designed to provide reasonable protection against harmful interference in a residential installation. This equipment generates, uses and can radiate radio frequency energy and, if not installed and used in accordance with the instructions, may cause harmful interference to radio communications. However, there is no guarantee that interference will not occur in a particular installation.

If this equipment does cause harmful interference to radio or television reception, which can be determined by turning the equipment off and on, the user is encouraged to try to correct the interference by one or more of the following measures:

- Reorient or relocate the receiving antenna.
- Increase the separation between the equipment and receiver.
- Connect the equipment into an outlet on a circuit different from that to which the receiver is connected.
- Consult the dealer or an experienced radio/TV technician for help.