



## **5.1 Home Theater System with Bluetooth**

User's Guide for Model IHTB159 v2346-01

For the most up-to-date version of this User's Guide, go to [www.iliveelectronics.com](http://www.iliveelectronics.com)

# Safety Instructions & Warnings

## Important Safety Instructions

- Read these Instructions.
- Keep these Instructions.
- Heed all Warnings.
- Follow all instructions.
- Do not use this apparatus near water.
- Clean only with a dry cloth.
- Do not block any ventilation openings. Install in accordance with the manufacturer's instructions.
- Do not install near any heat sources such as radiators, heat registers, stoves, or other apparatus (including amplifiers) that produce heat.
- Do not defeat the safety purpose of the polarized or grounding - type plug. A polarized plug has two blades with one wider than the other. A grounding type plug has two blades and a third grounding prong. The wide blade or the third prong are provided for your safety. When the provided plug does not fit into your outlet, consult an electrician for replacement of the obsolete outlet.
- Protect the power cord from being walked on or pinched particularly at plugs, convenience receptacles, and the point where they exit from the apparatus.
- Only use attachments/accessories specified by the manufacturer.
- Unplug this apparatus during lightning storms or when unused for long periods of time.
- Refer all servicing to qualified service personnel. Servicing is required when the apparatus has been damaged in any way, such as power-supply cord or plug is damaged, liquid has been spilled or objects have fallen into the apparatus, the apparatus has been exposed to rain or moisture, does not operate normally, or has been dropped.
- Use only with a cart, stand, tripod, bracket, or table specified by the manufacturer, or sold with the apparatus. When a cart is used, use caution when moving the cart/ apparatus combination to avoid injury from tip-over.



## FCC Warnings

Warning: Changes or modifications to this unit not expressly approved by the party responsible for compliance could void the user's authority to operate the equipment.

NOTE: This equipment has been tested and found to comply with the limits for a Class B digital device, pursuant to Part 15 of the FCC Rules. These limits are designed to provide reasonable protection against harmful interference in a residential installation. This equipment generates, uses, and can radiate radio frequency energy and, if not installed and used in accordance with the instructions, may cause harmful interference to radio communications. However, there is no guarantee that interference will not occur in a particular installation. If this equipment does cause harmful interference to radio or television reception, which can be determined by turning the equipment off and on, the user is encouraged to try to correct the interference by one or more of the following measures:

- Reorient or relocate the receiving antenna.
- Increase the separation between the equipment and receiver.
- Connect the equipment into an outlet on a circuit different from that to which the receiver is connected.
- Consult the dealer or an experienced radio/TV technician for help.

This device complies with Part 15 of the FCC Rules. Operation is subject to the following two conditions:

- (1) This device may not cause harmful interference
- (2) this device must accept any interference received, including interference that may cause undesired operation.

## FCC Radiation Exposure Statement:

This equipment complies with FCC radiation exposure limits set forth for an uncontrolled environment. This equipment should be installed and operated with minimum distance 20cm between the radiator & your body.

## Battery Warnings

- WARNING: Do not ingest the battery, Chemical Burn Hazard.
- If the remote control supplied with this product contains a coin/button cell battery and the coin/button cell battery is swallowed, it can cause severe internal burns in just 2 hours and can lead to death.
- Keep new and used batteries away from children. If the battery compartment does not close securely, stop using the product and keep it away from children.
- If you think batteries might have been swallowed or placed inside and part of the body, seek immediate medical attention.
- CAUTION: Danger of explosion if battery is incorrectly replaced. Replace only with the same or equivalent type.
- WARNING: There is a danger of explosion if you attempt to charge standard Alkaline batteries in the unit. Only use rechargeable NiMH batteries.
- Battery shall not be exposed to excessive heat such as sunshine, fire or the like.
- Do not mix old and new batteries.
- Completely replace all old batteries with new ones.
- Do not mix alkaline, standard (carbon-zinc), or rechargeable (ni-cad, ni-mh, etc) batteries.
- Batteries should be recycled or disposed of as per state and local guidelines.

## Additional Warnings and Precautions

- CAUTION: TO PREVENT ELECTRIC SHOCK, MATCH WIDE BLADE OF PLUG TO WIDE SLOT, FULLY INSERT.
- Mains plug is used as disconnect device and it should remain readily operable during intended use. In order to disconnect the apparatus from the mains completely, the mains plug should be disconnected from the mains socket outlet completely.
- CAUTION: Use of controls or adjustments or performance of procedures other than those specified may result in hazardous radiation exposure.
- WARNING: Changes or modifications to this unit not expressly approved by the party responsible for compliance could void the user's authority to operate the equipment.
- WARNING: Use of this unit near fluorescent lighting may cause interference regarding use of the remote. If the unit is displaying erratic behavior move away from any fluorescent lighting, as it may be the cause.
- WARNING: Shock hazard - Do Not Open.
- Caution and marking information is located at the rear or bottom of the apparatus.
- WARNING: To reduce the risk of fire or electric shock, do not expose this apparatus to rain, moisture, dripping, or splashing.
- Objects filled with liquids, such as vases, shall not be placed on the apparatus.



WARNING: To reduce the risk of electric shock, do not remove cover (or back). No user-serviceable parts inside. Refer servicing to qualified service personnel.



The exclamation point within an equilateral triangle is intended to alert the user to the presence of important operating and maintenance (servicing) instructions in the literature accompanying the appliance.



The lightning flash with arrowhead symbol, within an equilateral triangle, is intended to alert the user to the presence of un-insulated "dangerous voltage" within the product's enclosure that may be of sufficient magnitude to constitute a risk of electric shock to persons.



This symbol indicates that this product incorporates double insulation between hazardous mains voltage and user accessible parts.



WARNING: This product can expose you to chemicals including lead, which is known to the State of California to cause cancer and birth defects or other reproductive harm. For more information go to [www.P65Warnings.ca.gov](http://www.P65Warnings.ca.gov). This product meets and complies with all Federal regulations.

# Table of Contents

---

<b>Setup</b> .....	<b>5</b>
Features	
Includes	
Power	
Speakers	
Wall Mount Bracket Installation	
<b>Orientation</b> .....	<b>8</b>
Subwoofer Front View	
Subwoofer Rear View	
<b>Remote</b> .....	<b>10</b>
Functions	
Remote Batteries	
<b>Bluetooth Wireless</b> .....	<b>11</b>
Pairing & Playing Audio	
<b>Audio Inputs</b> .....	<b>12</b>
HDMI	
Digital Optical Audio	
6 Port 5.1 Surround Sound RCA Inputs (5.1 CH)	
2 Port Stereo RCA Inputs (Aux)	
<b>Customer Support</b> .....	<b>16</b>
Contact Information	
Warranty	
International Support	

# Setup

---

## Features

- Bluetooth Wireless - range 60 ft.
- Voice prompts announce speaker functions
- Optical audio input
- HDMI audio input
- 6, 5.1 surround sound audio inputs
- 2 stereo audio inputs

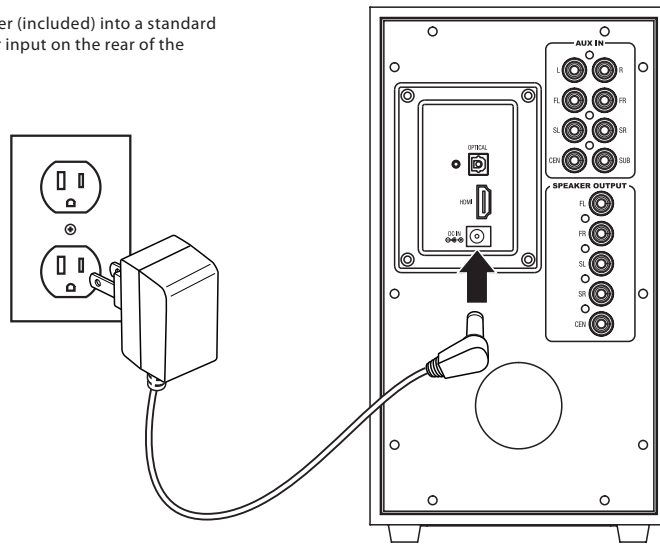
## Includes

- Subwoofer (main unit)
- 32" sound bar with 4 satellite speakers
- Remote control: requires CR2025 battery (included)
- Optical audio cable
- 3 RCA stereo audio cables
- 3.5mm to RCA audio cable
- AC/DC power adapter
- Wall mount hardware and instructions

# Setup

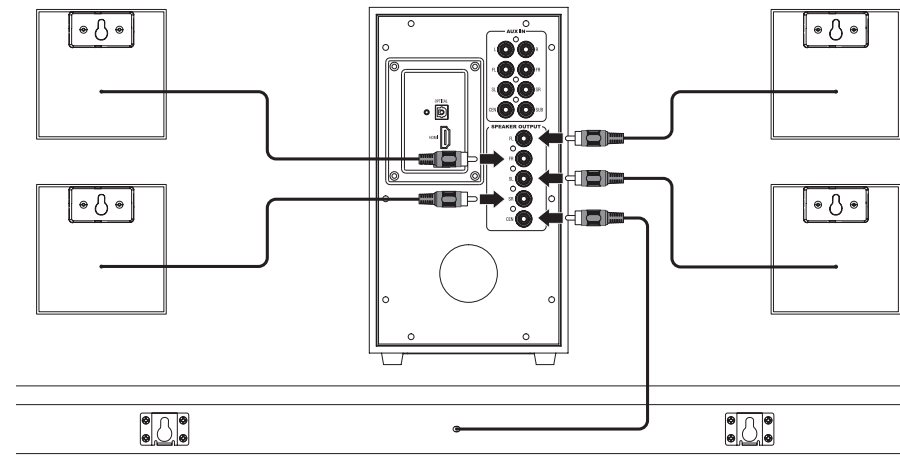
## Power

Plug the AC/DC power adapter (included) into a standard wall outlet and the DC power input on the rear of the subwoofer.

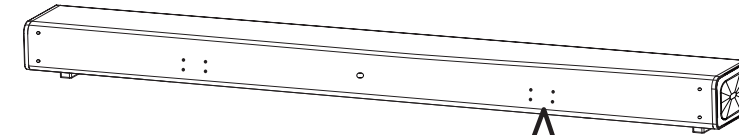


## Connect Satellite Speakers

Connect each speaker wire with the corresponding port on the rear of the subwoofer. Be sure to match the plugs to the correct port or the speakers will not function properly.

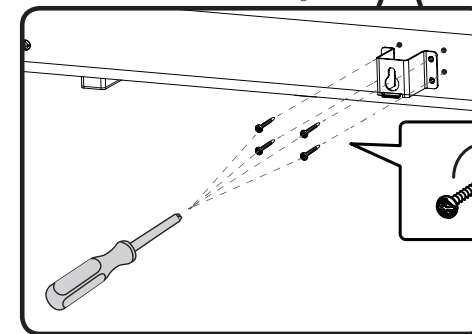
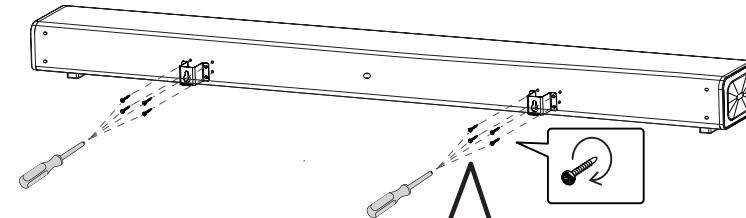
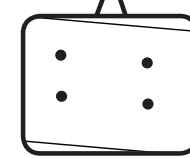


## Wall Mount Bracket Installation



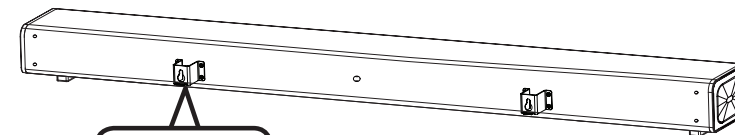
### Step 1

Find the mounting bracket holes on the rear of the sound bar (4 per side).



### Step 2

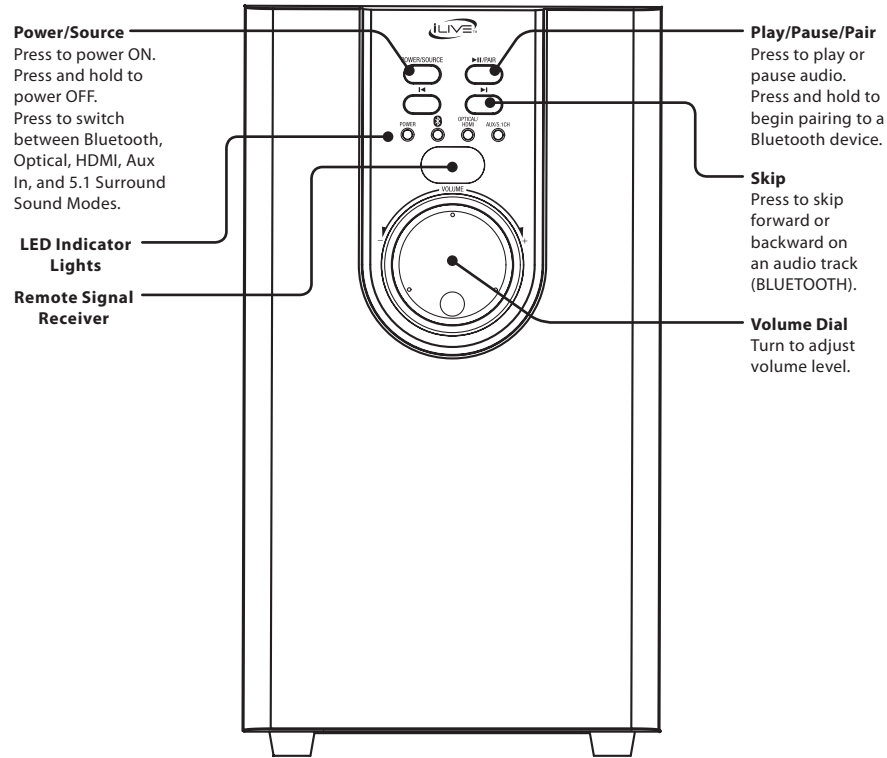
Using a screwdriver, attach the mounting brackets to the sound bar.



Installation Complete

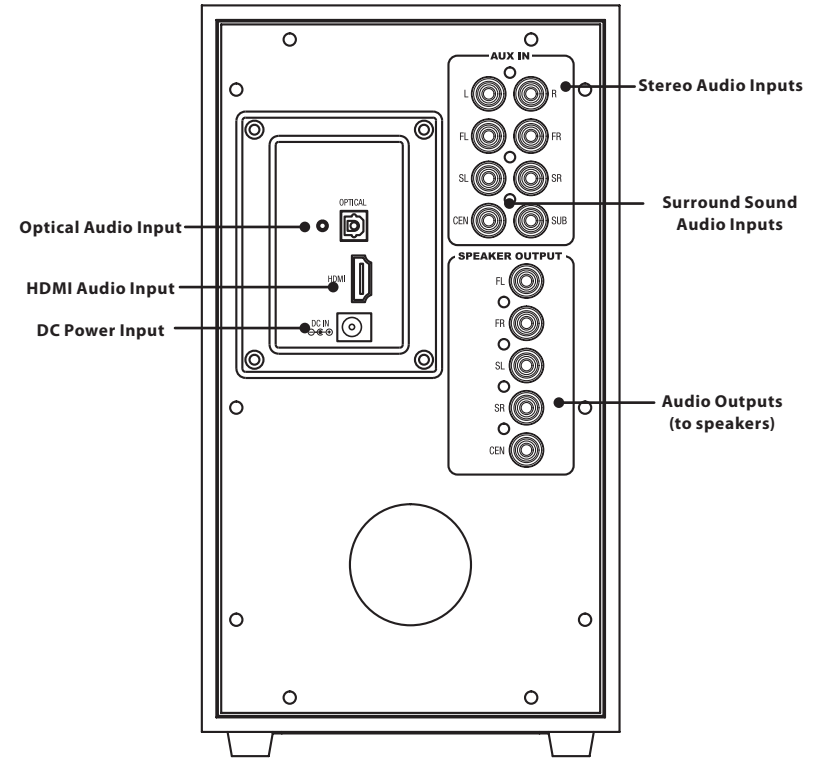
# Orientation

## Subwoofer Front View



Speaker Status	Indicator Light
Power ON	Red Light
Bluetooth Pairing	Rapid Flashing Blue Light
Bluetooth Connected	Solid Blue Light
Optical Mode	Orange Light
HDMI Mode	Purple Light
Aux In Mode (RCA Stereo)	Green Light
5.1 Surround Sound Mode	White Light

## Subwoofer Rear View



# Remote

## Functions

Note: When using the remote, be sure to aim at the remote signal receiver located on the front of the subwoofer.

### Power

Press to turn the system ON or OFF.

### Mute

Press to mute the volume.



Press to switch to Bluetooth Mode.

### Optical

Press to switch to Optical Mode.

### HDMI

Press to switch to HDMI Mode.

### Aux

Press to switch to Aux In (RCA) Mode.

### 5.1CH

Press to switch to 5.1 Surround Sound Mode.

### Volume-/+

Press to adjust volume for all speakers.

### Pair/Play/Pause

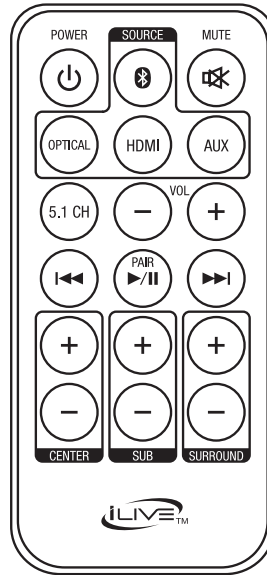
Press and hold to begin pairing to a Bluetooth device. Press to play or pause the selected track (BLUETOOTH).

### Skip Back/Fwd

In Bluetooth Mode, press to skip the selected track.

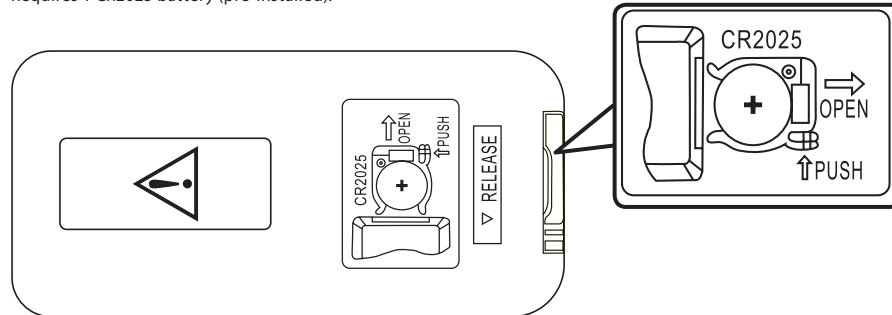
### Center/Sub/Surround

Press to adjust volume for individual speakers.



## Remote Batteries

Requires 1 CR2025 battery (pre-installed).



# Bluetooth Wireless

## Pairing & Playing Audio

1. When the system first powers ON it defaults to Bluetooth Mode and is ready to pair automatically. When pairing, remain within 3 feet of the Bluetooth device.
2. Using the controls on your Bluetooth device, select **IHTB159** in the Bluetooth Settings to pair. If need be, refer to the user's manual for your specific device for more information.
3. When successfully paired, a voice will announce, "Bluetooth is connected." Your Bluetooth device will now be heard through the speaker.
4. Use the controls on the connected Bluetooth device to select and play audio. Use the subwoofer controls or the connected Bluetooth device to play, pause, skip, and adjust the volume level.

After initial pairing, the speaker will automatically connect to the last Bluetooth device used whenever it is in Bluetooth Mode. If your device should become unpaired or you find it is unable to connect, press & hold the **Pair button** to enter to Pairing Mode. The blue pairing indicator will flash quickly, a voice will announce, "Bluetooth is connecting," and you can then connect to the speaker manually.

# Audio Inputs

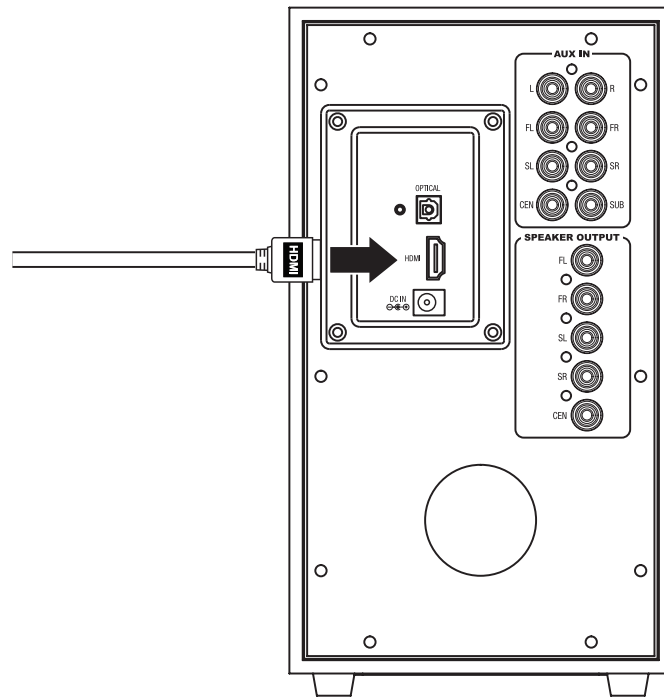
## HDMI

If your television has an HDMI port with Audio Return Channel (ARC), you can connect to the HDMI input on the subwoofer. An HDMI connection is the easiest way to connect the stereo system to your television.

**Your TV must have HDMI-ARC for this audio connection to function. A regular HDMI port is not equivalent to HDMI-ARC.**

Requires a TV with HDMI-ARC and a HDMI cable (not included).

1. Using a standard HDMI cable, connect your television's **HDMI-ARC port** to the **HDMI input** on the subwoofer. Depending on the TV, ARC may need to be enabled through the Audio or Source settings menu.
2. With the unit powered ON, select HDMI Mode through the **Source button on the subwoofer** or through the **HDMI button on the remote**. A voice prompt and a solid purple light will indicate that HDMI Mode has been selected.



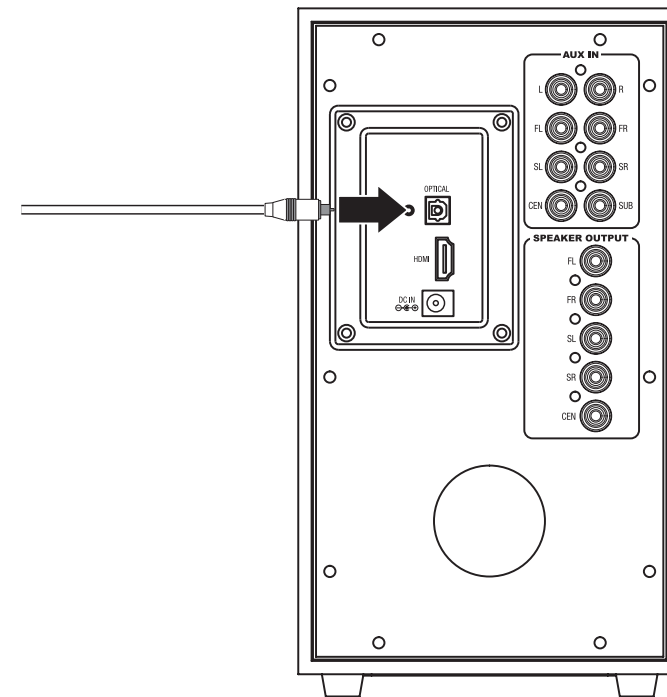
## Digital Optical Audio

Requires a device with an Optical audio output and a Digital Optical audio cable (included).

1. Using a Digital Optical Audio Cable, connect your media player's **Optical output** to the **Optical input** on the subwoofer.
2. With the unit powered ON, select Optical Mode through the **Source button on the subwoofer** or through the **Optical button on the remote**. A voice prompt and a solid orange light will indicate that Optical Mode has been selected.

### Important tips for optical audio:

- The optical output source should be set to output PCM or Optical Audio and not Dolby Digital.
- Use the correct optical audio cable and make sure that it is firmly seated in both source and subwoofer sockets.
- Optical audio output is activated from the audio source (a red light should be visible from the optical socket). It may be labeled SPDIF in the settings menu of the source.



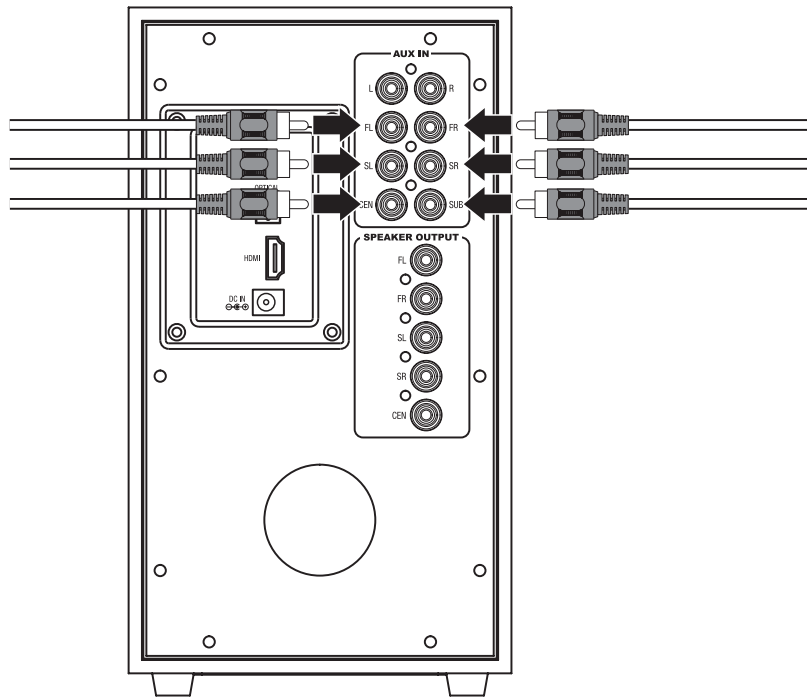
# Audio Inputs

## 6 Port 5.1 Surround Sound RCA Inputs (5.1 CH)

If your TV, DVD, or other media player has 6 ports of audio output, use the 6 lower audio inputs on the rear of the subwoofer for 5.1 surround sound audio.

Requires 3 RCA stereo audio cables (included).

1. Using an RCA stereo audio cable, connect your media player's **Surround Sound stereo outputs** to the **Surround Sound inputs** on the subwoofer. When connecting the audio cables, match the colored plugs to the same colored ports.
2. With the unit powered ON, select Surround Sound Mode through the **Source button on the subwoofer** or through the **5.1CH button on the remote**. A voice prompt and a solid white light will indicate that Surround Sound Mode has been selected.



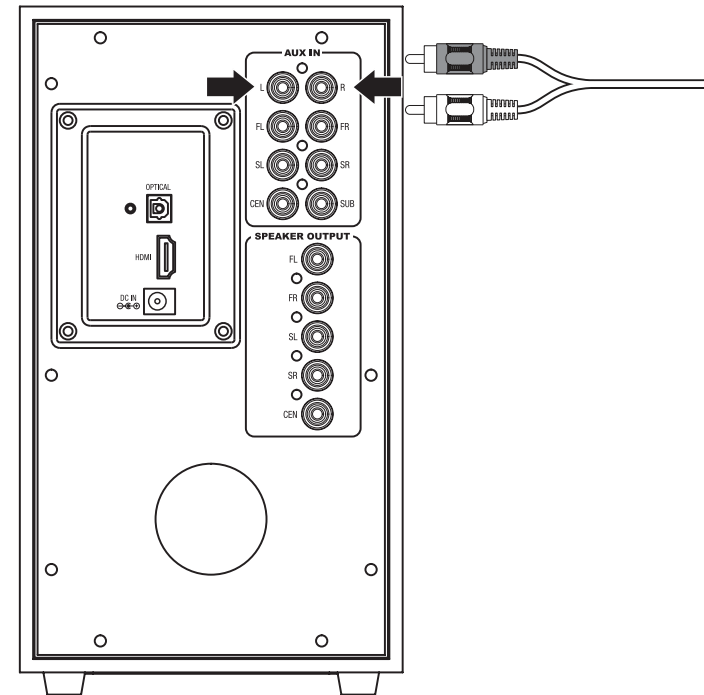
Audio Input	Audio Channel
FL / FR	Front Left / Front Right
SL / SR	Surround Left / Surround Right
CEN	Center
SUB	Subwoofer

## 2 Port Stereo RCA Inputs (Aux)

If your TV, DVD, or other media player has only 2 ports of audio output, use the top 2 audio inputs (Left/Right channel) on the rear of the subwoofer for stereo audio.

Requires an RCA stereo audio cable (included).

1. Using an RCA stereo audio cable, connect your media player's **RCA stereo outputs** to the **RCA stereo inputs** on the subwoofer. When connecting the audio cables, match the colored plugs to the same colored ports.
2. With the unit powered ON, select Aux Mode through the **Source button on the subwoofer** or through the **Aux button on the remote**. A voice prompt and a solid green light will indicate that Aux Mode has been selected.





# Customer Support

---

## Contact Information

**Website:** [www.iLiveElectronics.com](http://www.iLiveElectronics.com)

**Email Support:** [prodinfo@dpiinc.com](mailto:prodinfo@dpiinc.com)

**Email Parts:** [partsinfo@dpiinc.com](mailto:partsinfo@dpiinc.com)

**Phone Support:** 1-888-999-4215

## Warranty

For Warranty Information and the most up-to-date version of this User's Guide, go to: [www.iLiveElectronics.com](http://www.iLiveElectronics.com)

## International Support

To download this User's Guide in English, Spanish, and French, or to get answers to frequently asked questions, visit the support section at: [www.iLiveElectronics.com](http://www.iLiveElectronics.com)

Para descargar este Manual del Usuario en inglés, español y francés, o para obtener respuestas a preguntas frecuentes, visite la sección de apoyo en: [www.iLiveElectronics.com](http://www.iLiveElectronics.com)

Pour télécharger ce guide de l'utilisateur en anglais, espagnol ou français, ou pour obtenir des réponses à des questions fréquemment posées, consultez la rubrique d'assistance sur: [www.iLiveElectronics.com](http://www.iLiveElectronics.com)

Copyright © 2019 Digital Products International (DPI, Inc.) All other trademarks appearing herein are the property of their respective owners. Specifications are subject to change without notice.



***Protect for Today  
Sustain for Tomorrow***