



40" HD Soundbar with Bluetooth Wireless

User's Guide for Model ITB490B v2503-01

For the most up-to-date version of this User's Guide, go to www.iLiveElectronics.com

Safety Instructions & Warnings

Important Safety Instructions

- Read these Instructions.
- Keep these Instructions.
- Heed all Warnings.
- Follow all instructions.
- Do not use this apparatus near water.
- Clean only with a dry cloth.
- Do not block any ventilation openings. Install in accordance with the manufacturer's instructions.
- Do not install near any heat sources such as radiators, heat registers, stoves, or other apparatus (including amplifiers) that produce heat.
- Do not defeat the safety purpose of the polarized or grounding - type plug. A polarized plug has two blades with one wider than the other. A grounding type plug has two blades and a third grounding prong. The wide blade or the third prong are provided for your safety. When the provided plug does not fit into your outlet, consult an electrician for replacement of the obsolete outlet.
- Protect the power cord from being walked on or pinched particularly at plugs, convenience receptacles, and the point where they exit from the apparatus.
- Only use attachments/accessories specified by the manufacturer.
- Unplug this apparatus during lightning storms or when unused for long periods of time.
- Refer all servicing to qualified service personnel. Servicing is required when the apparatus has been damaged in any way, such as power-supply cord or plug is damaged, liquid has been spilled or objects have fallen into the apparatus, the apparatus has been exposed to rain or moisture, does not operate normally, or has been dropped.
- Use only with a cart, stand, tripod, bracket, or table specified by the manufacturer, or sold with the apparatus. When a cart is used, use caution when moving the cart/apparatus combination to avoid injury from tip-over.



FCC Warnings

Warning: Changes or modifications to this unit not expressly approved by the party responsible for compliance could void the user's authority to operate the equipment.

NOTE: This equipment has been tested and found to comply with the limits for a Class B digital device, pursuant to Part 15 of the FCC Rules. These limits are designed to provide reasonable protection against harmful interference in a residential installation. This equipment generates, uses, and can radiate radio frequency energy and, if not installed and used in accordance with the instructions, may cause harmful interference to radio communications. However, there is no guarantee that interference will not occur in a particular installation. If this equipment does cause harmful interference to radio or television reception, which can be determined by turning the equipment off and on, the user is encouraged to try to correct the interference by one or more of the following measures:

- Reorient or relocate the receiving antenna.
- Increase the separation between the equipment and receiver.
- Connect the equipment into an outlet on a circuit different from that to which the receiver is connected.
- Consult the dealer or an experienced radio/TV technician for help.

Battery Warnings

- WARNING: Do not ingest the battery, Chemical Burn Hazard.
- If the remote control supplied with this product contains a coin/button cell battery and the coin/button cell battery is swallowed, it can cause severe internal burns in just 2 hours and can lead to death.
- Keep new and used batteries away from children. If the battery compartment does not close securely, stop using the product and keep it away from children.
- If you think batteries might have been swallowed or placed inside and part of the body, seek immediate medical attention.
- CAUTION: Danger of explosion if battery is incorrectly replaced. Replace only with the same or equivalent type.
- WARNING: There is a danger of explosion if you attempt to charge standard Alkaline batteries in the unit. Only use rechargeable NiMH batteries.
- Battery shall not be exposed to excessive heat such as sunshine, fire or the like.
- Do not mix old and new batteries.
- Completely replace all old batteries with new ones.
- Do not mix alkaline, standard (carbon-zinc), or rechargeable (ni-cad, ni-mh, etc) batteries.
- Batteries should be recycled or disposed of as per state and local guidelines.

Additional Warnings and Precautions

- CAUTION: TO PREVENT ELECTRIC SHOCK, MATCH WIDE BLADE OF PLUG TO WIDE SLOT, FULLY INSERT.
- Mains plug is used as disconnect device and it should remain readily operable during intended use. In order to disconnect the apparatus from the mains completely, the mains plug should be disconnected from the mains socket outlet completely.
- CAUTION: Use of controls or adjustments or performance of procedures other than those specified may result in hazardous radiation exposure.
- WARNING: Changes or modifications to this unit not expressly approved by the party responsible for compliance could void the user's authority to operate the equipment.
- WARNING: Use of this unit near fluorescent lighting may cause interference regarding use of the remote. If the unit is displaying erratic behavior move away from any fluorescent lighting, as it may be the cause.
- WARNING: Shock hazard - Do Not Open.
- Caution and marking information is located at the rear or bottom of the apparatus.
- WARNING: To reduce the risk of fire or electric shock, do not expose this apparatus to rain, moisture, dripping, or splashing.
- Objects filled with liquids, such as vases, shall not be placed on the apparatus.



WARNING: To reduce the risk of electric shock, do not remove cover (or back). No user-serviceable parts inside. Refer servicing to qualified service personnel.



The exclamation point within an equilateral triangle is intended to alert the user to the presence of important operating and maintenance (servicing) instructions in the literature accompanying the appliance.



The lightning flash with arrowhead symbol, within an equilateral triangle, is intended to alert the user to the presence of un-insulated "dangerous voltage" within the product's enclosure that may be of sufficient magnitude to constitute a risk of electric shock to persons.



This symbol indicates that this product incorporates double insulation between hazardous mains voltage and user accessible parts.



WARNING : This product can expose you to chemicals including lead, which is known to the State of California to cause cancer and birth defects or other reproductive harm. For more information go to www.P65Warnings.ca.gov. **This product meets and complies with all Federal regulations.**

Table of Contents

| | |
|---|-----------|
| Setup | 5 |
| Features & Specifications | |
| Includes | |
| Power | |
| Remote Battery | |
| Orientation | 6 |
| Front View | |
| Rear View | |
| Speaker Inputs Detail | |
| Speaker Controls (Right Side) | |
| Remote | 8 |
| Bluetooth Wireless | 9 |
| Pairing a Bluetooth Device for the First Time | |
| Playing Audio Wirelessly | |
| Audio Inputs | 10 |
| Stereo RCA Inputs (Aux In) | |
| Optical Input | |
| Line In | |
| Company Information | 12 |
| Contact Information | |
| Warranty | |
| International Support | |

Setup

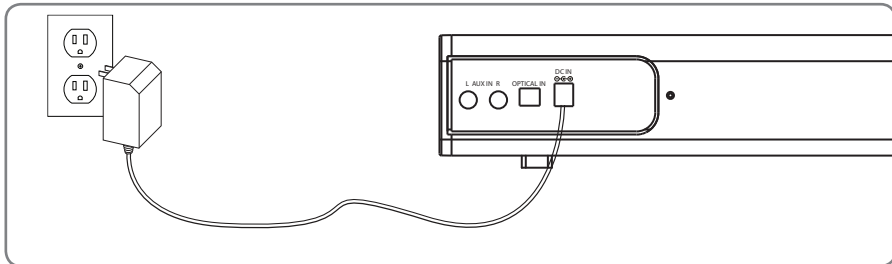
Features & Specifications

- 40" length
- Supports Bluetooth
- Wireless range: 60 ft.
- 2.2 channel stereo sound
- 2 stereo speakers
- 2 woofer speakers
- Digital volume control
- Full-function remote
- Optical digital audio input
- Aux In (3.5mm audio input)
- RCA stereo audio inputs

Includes

- Remote control with 1 CR2025 battery
- Optical cable
- AC/DC power adapter
- Wall-mount hardware and instructions

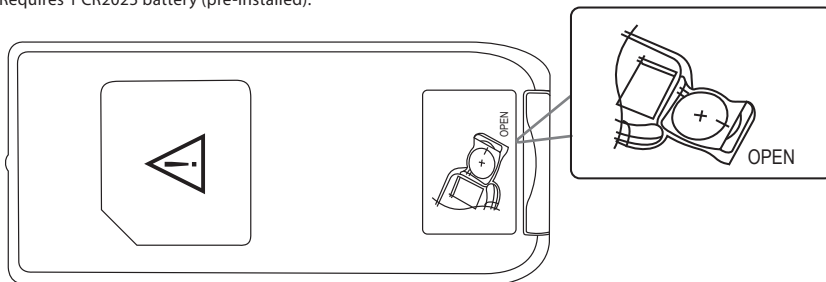
Power



Plug the small end of the power cord into the DC Input on the back of the speaker, and the large plug into a standard wall outlet.

Remote Batteries

Requires 1 CR2025 battery (pre-installed).

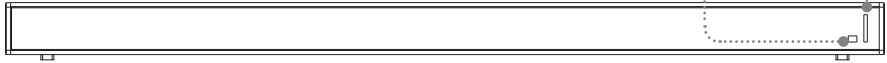


Orientation

Front View

Function/Source Indicators: Power | Line In | Optical | RCA/Aux In | Bluetooth

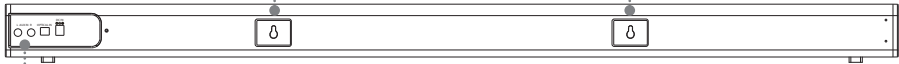
Remote Receiver



| STATUS | INDICATOR |
|---------------------|---------------------|
| Power Off | Red Light |
| Line In Mode | Green Light |
| Optical Mode | Amber Light |
| RCA/Aux In Mode | White Light |
| Bluetooth Pairing | Flashing Blue Light |
| Bluetooth Connected | Blue Light |

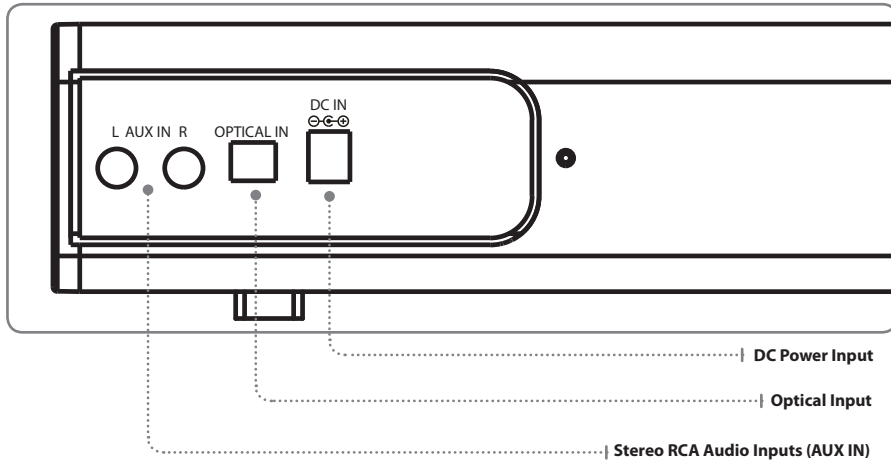
Rear View

Wall Mount Pegs



Speaker Inputs

Speaker Inputs Detail



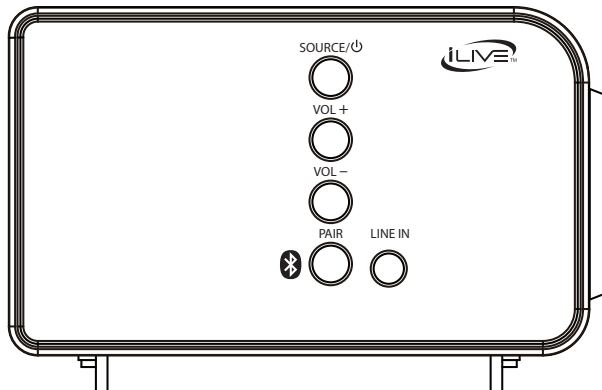
Speaker Controls (Right Side)

Source/Power
Press to power the unit ON.
Press and hold to power the unit OFF.
Press to switch between Optical, RCA/Aux In, Line In, and Bluetooth modes.

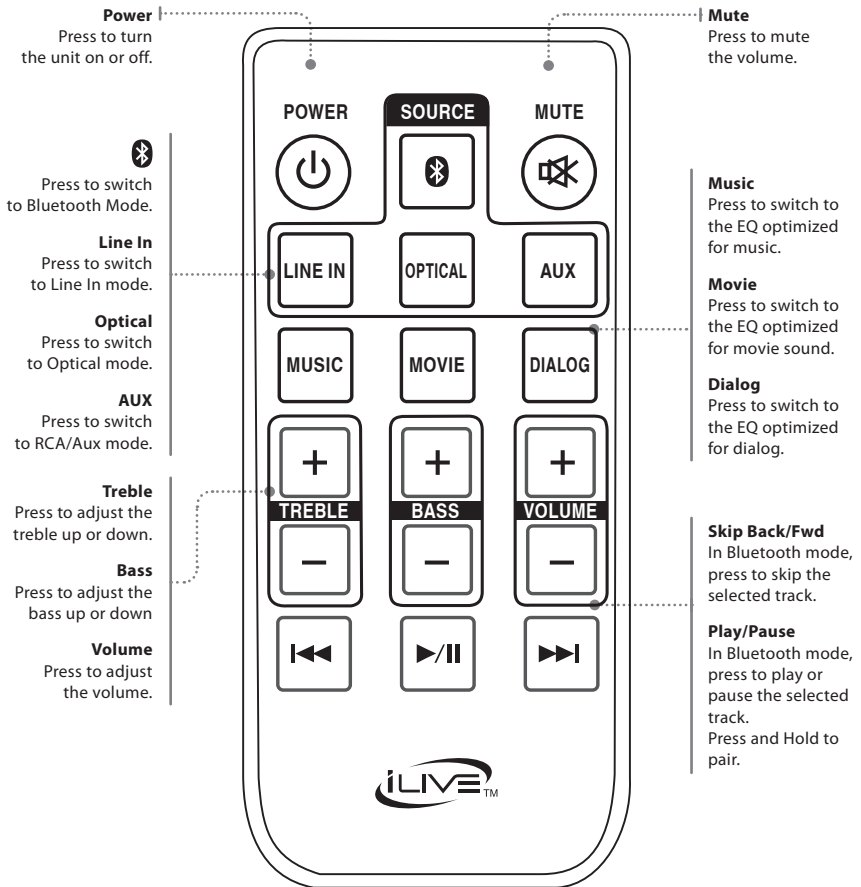
Volume +/-
Press to adjust volume up or down.

Pair
Press to begin pairing to a Bluetooth device.

Line In
Connect the soundbar to an audio device using a 3.5mm audio cable.




Remote



Bluetooth Wireless

Initial Bluetooth Connection and Playing Audio

1. Power on the sound bar by pressing the **Power** button. A voice will say, "Bluetooth", and the LED indicator will slowly flash blue. When pairing, remain within 3 feet of the Bluetooth device.
2. Using the controls on your Bluetooth device, select **ITB490** in the Bluetooth Settings to pair. If need be, refer to the user's manual for your specific device for more information.
3. When successfully paired, a voice will announce, "Bluetooth is connected", and the LED indicator will turn solid blue. Audio from the connected Bluetooth device will now be heard through the speaker.
4. Use the controls on the connected Bluetooth device to select and play audio. Use the speaker controls or the connected Bluetooth device to play, pause, and adjust the volume level.
5. After initial pairing, press the **Power** button until the voice prompt say, "Power on". The speaker will power ON and automatically connect to the last Bluetooth device used. **Note:** If your device should become unpaired or you find it is unable to connect, press & hold the **Play** button to enter to Pairing Mode. A voice will announce, "Bluetooth is connecting", and you can connect to the speaker manually.

Note: This sound bar has last function memory. After powering OFF, it will resume the last play mode when powering ON again. Remember to press the  button to switch it to Bluetooth Mode before connecting`.

Previously Connected Devices

- The sound bar can remember multiple Bluetooth devices and will always try to re-connect to the last device used.
- To reconnect to a different device, turn off Bluetooth on unwanted devices, then access the Bluetooth settings menu on the device you wish to use and select **ITB490**.

Audio Inputs

Stereo RCA Inputs (Aux In)

When connecting two products using an RCA cable (not included), match the colored ports to their corresponding plugs.

1. Connect the RCA cables (not included) to the RCA Stereo Inputs located on the back of the unit, and to the audio outputs on a television or other audio source.
2. Press the **Power** button to power on the unit.
3. Press the **Source** button to select **Aux In**, indicated by a white light.
4. Audio played through the television will now be heard through the speakers.

Optical Input

You will need: An audio source with an Optical Audio Output and a Digital Optical Audio Cable (included).

1. Connect the **Digital Optical Audio Cable** to the optical output on the audio source and to the **Optical Input** on the speaker bar.
2. Press the **Power** button to power the unit on.
3. Press the **Source** button repeatedly to switch to **SPDIF Mode**, indicated by an amber light.
4. Using the native controls on your connected device, make sure the audio settings are set to **PCM or Optical Audio** and are turned On.
5. Audio from the connected audio source will now be played through the speakers.

Important tips for optical audio:

Use the correct toslink cable and make sure that it is firmly seated in both source and sound bar sockets.

Optical output is activated on the source (they should see a red light emitting from the toslink socket). It may be labeled SPDIF in the setting menu of the source.

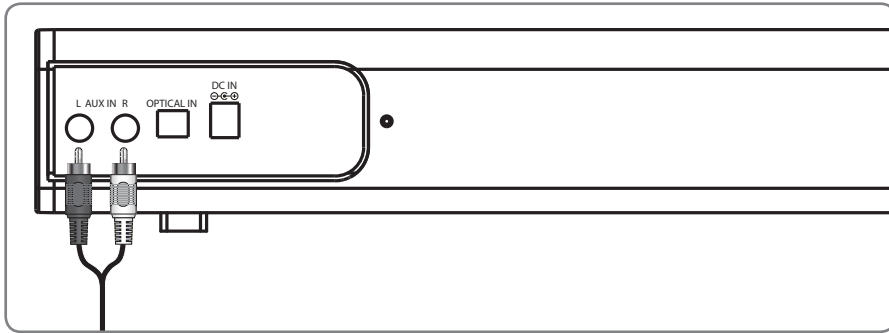
The optical output is set to output PCM and not Dolby Digital.

Line In

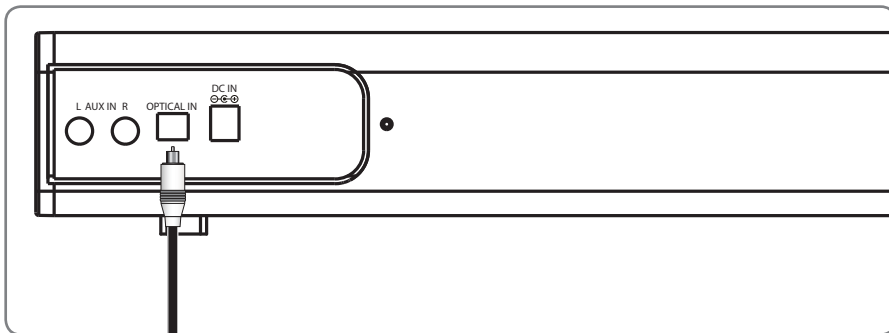
3.5 mm audio input cable not included.

1. Plug one end of a 3.5 mm audio input cable into the **Line In** on the unit and plug the other end of the cable into the audio output/headphone output on an MP3 Player or other audio source.
2. Press the **Power** button to power the unit on.
3. Press the **Source** button to select **Line In**, indicated by a green light.
4. Audio played through the connected device will now be heard through the speakers. Use the controls on the connected device to play, pause, or skip selected tracks.

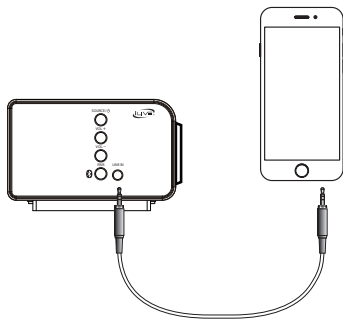
Stereo RCA Inputs (Aux In) - Detail



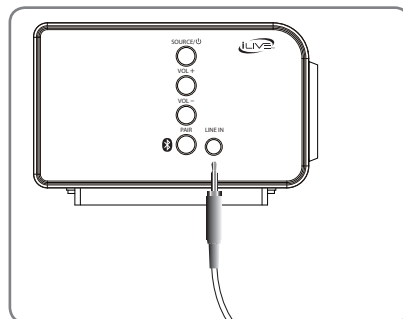
Optical Input - Detail



Line In



Line In - Detail



Customer Support

Contact Information

Website: www.iLiveElectronics.com

Email Support: prodinfo@dpiinc.com

Email Parts: partsinfo@dpiinc.com

Phone Support: 1-888-999-4215

Warranty

For Warranty Information and the most up-to-date version of this User's Guide, go to: www.iLiveElectronics.com

International Support

To download this User's Guide in English, Spanish, and French, or to get answers to frequently asked questions, visit the support section at:

www.iLiveElectronics.com

Para descargar este Manual del Usuario en inglés, español y francés, o para obtener respuestas a preguntas frecuentes, visite la sección de apoyo en: www.iLiveElectronics.com

Pour télécharger ce guide de l'utilisateur en anglais, espagnol ou français, ou pour obtenir des réponses à des questions fréquemment posées, consultez la rubrique d'assistance sur: www.iLiveElectronics.com

Copyright © 2020 Digital Products International (DPI, Inc.) All other trademarks appearing herein are the property of their respective owners. Specifications are subject to change without notice.



***Protect for Today
Sustain for Tomorrow***

Warning:

changes or modifications not expressly approved by the party responsible for compliance could void the user's authority to operate the equipment.

This device complies with Part 15 of the FCC Rules. Operation is subject to the following two conditions: (1) this device may not cause harmful interference, and (2) this device must accept any interference received, including interference that may cause undesired operation.

NOTE: This equipment has been tested and found to comply with the limits for a Class B digital device, pursuant to Part 15 of the FCC Rules. These limits are designed to provide reasonable protection against harmful interference in a residential installation. This equipment generates, uses and can radiate radio frequency energy and, if not installed and used in accordance with the instructions, may cause harmful interference to radio communications. However, there is no guarantee that interference will not occur in a particular installation.

If this equipment does cause harmful interference to radio or television reception, which can be determined by turning the equipment off and on, the user is encouraged to try to correct the interference by one or more of the following measures:

- Reorient or relocate the receiving antenna.
- Increase the separation between the equipment and receiver.
- Connect the equipment into an outlet on a circuit different from that to which the receiver is connected.
- Consult the dealer or an experienced radio/TV technician for help.

RF Exposure Statement

This equipment complies with FCC radiation exposure limits set forth for an uncontrolled environment. This equipment should be installed and operated with a minimum distance of 20cm between the radiator & your body.