

# User Manual for 2.0 Soundbar

## SR190-16



The picture is for reference only, If there is any error with the actual machine, please refer to the actual product.

# Contents

1.Preface-----	2
2.Accessory-----	2
3.Product introduction-----	3
4. Attention-----	3
5. Product panel introduction-----	4
6. Operation instruction-----	8
7. Device compatibility-----	12
8. Main technical specification-----	12
9. Simple trouble solutions -----	13

## 1. Preface

### To customers

Welcome to purchase our 2.0 soundbar system! We are very grateful for your patronage! In order to fully utilize your device's functions, please read this instruction manual carefully before use. This will make it easy for you to master the connection methods and key points. You will also find that we have made various explorations to meet your requirements in terms of design, manufacturing process, and humanization of operation, etc. Keep this manual properly. Please keep this manual in a safe place for future reference.

### Open the package

Please carefully open the package, confirm the following accessories, and place them in one place to prevent lose.

## 2. Accessory



- |                                             |     |
|---------------------------------------------|-----|
| <input type="checkbox"/> Soundbar           | 1pc |
| <input type="checkbox"/> User Manual        | 1pc |
| <input type="checkbox"/> Remote Control     | 1pc |
| <input type="checkbox"/> Power Adaptor      | 1pc |
| <input type="checkbox"/> 3.5mm to RCA Cable | 1pc |
| <input type="checkbox"/> Optical fiber wire | 1pc |

### 3. Product introduction

This soundbar system supports Bluetooth playback, optical fiber decoding, HDMI(ARC) input, USB playback and external audio source input and amplification. It adopts digital signal processing technology and is suitable for music playing in different environments such as offices and homes.

### 4. Attention

Thank you for purchasing our products.

Please read the instruction before using this product and use it correctly. For better service, the contents of this user's manual may change without further notice due to changes in product performance and functionality.

In order to maintain good performance, do not use in places that are too cold, too hot, dusty or humid.

More attention should be paid to the following situations:

1. Humid or under water
2. Heater or high temperature
3. Exposed to sunlight
4. Easy to fall
5. Do not disassemble the machine without authorization, otherwise the warranty will be lost.

#### Warning



1. Please pay attention to water, the product should not be exposed to water droplets or water splashing, and the body should not be placed with a liquid-filled item such as a vase to avoid accidents.

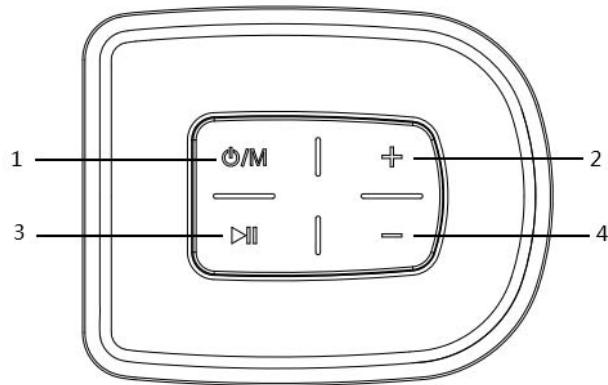


2. To avoid fire or electric shock, check whether the grid voltage is the same as the voltage specified on this machine.

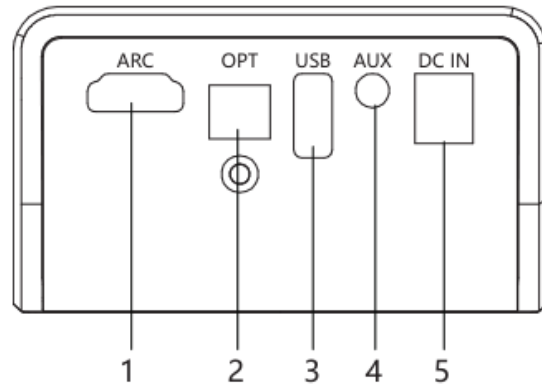
## 5. Product panel introduction

### Button and jack definition:

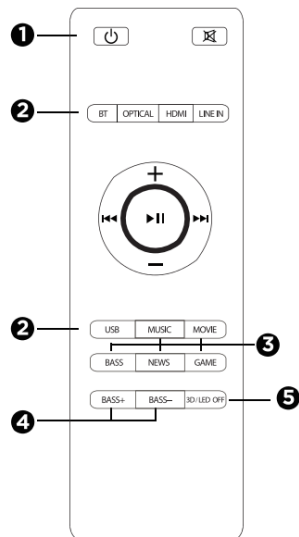
There are 4 buttons; there are 5 jacks, which are defined as follows:



1. : Short press to power on, short press to switch function, long press to power off
2. : Short press, long press to volume down
3. : Short press, long press to volume up
4. : Short press and long press to Bluetooth pairing



1. **ARC:** HD multimedia input (HDMI arc)
2. **OPT:** Optical input
3. **USB:** USB Playback
4. **Aux:** Aux in (3.5MM)
5. **DC IN:** DC input



### Function of each button

1. Power: Press o for Is to switch on, hold for 3s to turn off
2. Select Inputs: Bluetooth, Optical, HDMI ARC, AUX and USB.
3. Five Different EQ Mode: MUSIC, MOVIE, BASS+, NEWS, GAME
  - MUSIC: For music and TV shows
  - MOVIE: For movie and song with deep bass
  - BASS+: For movie with super bass
  - NEWS: For News, talk shows and variety shows
  - GAME: For gaming
4. Adjust Bass Volume: The bass will increase or decrease 1dB by pressing "BASS+" or "BASS-" each time.

5. Short press the "3D/LED OFF" button to switch the 3D surround effect on and off. Hold the "3D/LED OFF" button to switch on/off the display of the digital tube after the soundbar turns off.

Power on:

Plug the power adaptor into the DC-in jack of the soundbar, and insert the other end of the power adaptor into socket. At this time, the LED display is turned on, short press the "⏻" button on soundbar or remote control to turn it on.

## 6. Operation instruction

### ● Bluetooth Mode

After power on, short press or long press the "📶" button on Soundbar Bluetooth enters the pairing status, with voice prompts.

- 1). Put the phone within 3 meters distance;
- 2). Activate the Bluetooth function of the phone, so that the phone starts to search for the Bluetooth device (please refer to the phone instructions for details);
- 3). Select "OCS50BT-B" from the device that has been searched for, click connection, with voice prompt;
- 4). If the phone remind you to enter password, enter "0000" and press confirm button to match soundbar to the phone;
- 5). Press the back button of the phone to exit the phone menu. Make sure the distance between soundbar and phone is within 10M and there is no obstacles. At this time, music can be played on the soundbar;
- 6). Short press "▶||" to play and pause music. Short press "◀" "



or "▶" button to previous or next song;

7). To disconnect, short press or long press the "⊗" button on the machine or long press this button on remote control, At this time, another mobile phone device can be used to connect Bluetooth playing; If the connection is not selected, the machine will be on waiting for connection status.

- **HDMI Mode**

Short press the "⏻" button on the soundbar or "HDMI" button on the remote control to switch to "HDMI ARC" high-definition music decoding function. At this point, connect the HDMI high-definition decoding line to the TV set and then to the "HDMI ARC" jack on the back of the OCS 50 soundbar. Turn on the TV to power on the soundbar. Directly detect the digital signal transmitted by the TV to decode and restore the music play. (control the TV switch can control the soundbar switch directly).

- **LINE IN Mode**

After power on, connect the external audio sources to the LINE IN jack of soundbar by using the 3.5mm audio cable, and then short press the "⏻" button on the soundbar or the "AUDIO IN" button on the remote control to switch to "LINE IN" mode. At this time, music from the external audio sources such as

MP3/CD can be played. (please adjust the volume of the external audio sources to be moderate and playing.)

- **OPTICAL Mode**

Short press the "⏻" button on the soundbar or "OPTICAL" button on the remote control to switch to "OPTICAL" fiber decoding function. At this time, connect the DVD audio and equipment to Soundbar's "OPT" jack with the optical fiber digital wire. This machine decodes optical fiber digital to restore sound through power amplifier.

- **USB Mode**

After power on, insert the USB into the "USB" jack of the soundbar; the machine automatically goes to USB playback mode and plays the music in USB. Press the "▶||" button to play and pause the music. Short press "◀" or "▶" button to select music up and down.

### **Volume and Sound effect regulation**

A. After power on, in any mode of playback, short press or long press the volume "-" button on the soundbar or remote control to decrease the volume. Short press or long press the volume "+" button on the soundbar or remote control to increase the volume.

**Note:** during volume increase and decrease, the indicator light flash; when the volume is increased to the maximum or decreased to the minimum, the indicator light will be on. So remind the user!

**B.** After power on, in any mode of playback, short press the remote control to choose sound effect mode: MUSIC、MOVIE and DIALOG.

**Note:** 1. under MOVIE mode, there is no function when press "BASS(+,-)", "TREBLE (+,-)"; Under MUSIC and DIALOG mode, It can adjust sound effect between positive and negative six grades when press "BASS (+,-)", "TREBLE (+,-)" on the remote control.

2. The user can adjust each kind of sound effect mode to enjoy the music according to the personal preference!

**Power off:**

When the machine is power on, long press "⏻" button on soundbar or short press "⏻" button on remote control to power off, along with voice prompt, If unplugged the machine from power supply, the machine will be completely power off.

## **7. Device compatibility**

The machine theoretically supports all mobile phones with Bluetooth function and any related equipment connect to Bluetooth and play music.

## 8. Main technical specification

1. Bluetooth specification: V5.0
2. Bluetooth distance: Max distance $\geq$ 10m
3. Output Power: L: 20W R: 20W

The product specifications and design may change without further notice!

## 9. Simple trouble solutions

Troubles	Solutions
Bluetooth paired connection cannot be completed	Other mobile device has connected before use and the mobile device has not left as well as its Bluetooth is not off. When it connects, Bluetooth of this device will automatically find the Bluetooth device and connect. First, turn off Bluetooth of the connected Bluetooth devices, then the next Bluetooth device can be found and normally paired to connect.

Volume of Bluetooth playback is low	1. After connections with mobile devices, volume of Bluetooth device is not up but at the default output level. Turn on the mobile device output. 2. Output volume of Bluetooth device is low itself.
Short Bluetooth connection distance	Obstruction exists between mobile devices and Bluetooth device. Remove obstructions.
Bluetooth connection plays normally, sometimes with broken sound.	1. Obstruction exists between mobile devices and Bluetooth device. Remove obstructions. 2. Too far away from Bluetooth device to connected mobile devices, beyond the connection range. Shorten the distance between the Bluetooth device and mobile devices.

**Note:** As the above methods are all excluded, the device still cannot work, please notify the technician or the customer service!

## **FCC STATEMENT :**

This device complies with Part 15 of the FCC Rules. Operation is subject to the following two conditions:

- (1) This device may not cause harmful interference, and
- (2) This device must accept any interference received, including interference that may cause undesired operation.

**Warning:** Changes or modifications not expressly approved by the party responsible for compliance could void the user's authority to operate the equipment.

NOTE: This equipment has been tested and found to comply with the limits for a Class B digital device, pursuant to Part 15 of the FCC Rules. These limits are designed to provide reasonable protection against harmful interference in a residential installation. This equipment generates uses and can radiate radio frequency energy and, if not installed and used in accordance with the instructions, may cause harmful interference to radio communications. However, there is no guarantee that interference will not occur in a particular installation. If this equipment does cause harmful interference to radio or television reception, which can be determined by turning the equipment off and on, the user is encouraged to try to correct the interference by one or more of the following measures:

- Reorient or relocate the receiving antenna.

- Increase the separation between the equipment and receiver.

- Connect the equipment into an outlet on a circuit different from that to which the receiver is connected.

- Consult the dealer or an experienced radio/TV technician for help.

## **FCC Radiation Exposure Statement:**

This equipment complies with FCC radiation exposure limits set forth for an uncontrolled environment. This equipment should be installed and operated with minimum distance 20cm between the radiator & your body.