

# Wireless Party Speaker

User's Guide for Model ISB202 v2892-01



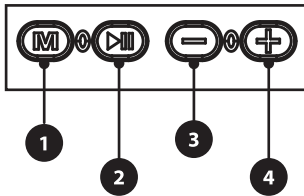
## Features

- Bluetooth wireless 5.0: range 59 ft.
- Micro SD card port
- Digital volume control
- Voice prompts
- Built-in rechargeable battery: approximately 7 hrs of playtime at 50% volume
- Micro-USB port for battery recharge

## Includes

- User's Guide
- Micro-USB to USB charging cable

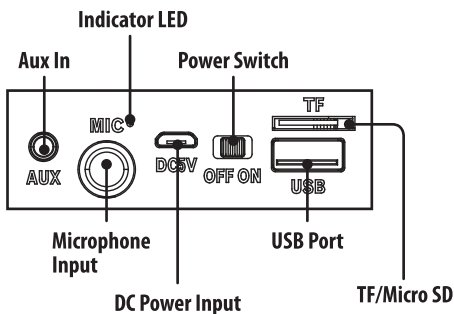
## Controls



1. **Mode:** Press to change source modes to Bluetooth, Aux, USB or Micro SD/TF. Press and hold to turn LED lights ON/OFF.
2. **Volume-/Previous:** Press to decrease volume level. Press and hold to play previous track.
3. **Play/Pair:** While playing music, press to play/pause tracks. Press and hold for 3 seconds to pair Bluetooth device manually.
4. **Volume+/Next:** Press to increase volume level. Press and hold to play the next track.

**Note:** To turn voice prompts ON/OFF, press and hold both the **Volume+** / **Volume-** buttons for 3 seconds.

## Inputs

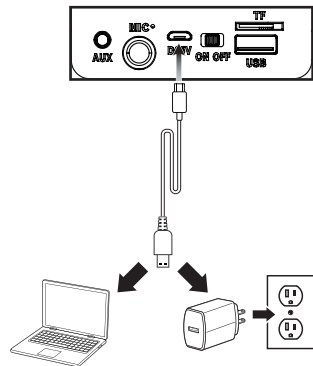


## Charging the Battery

To charge the internal battery, plug the USB charging cable into the DC Power Input on the speaker and a powered on computer or USB power adapter (not included) and standard power outlet. Charging time is approximately 4 hours.

**When the battery is low** a voice will announce "Low Battery," then the unit will automatically power OFF.

**While the unit is charging** the LED Indicator will display a solid red light. When the battery is fully charged the light will turn off.



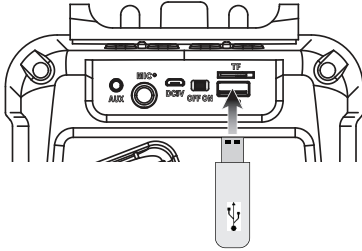
## Pairing & Playing Bluetooth Audio

1. When first powered on, the speaker defaults to Bluetooth Mode and is ready to pair automatically. When pairing, remain within 3 feet of the Bluetooth device.
2. Using the controls on your Bluetooth device, select **ISB202** in the Bluetooth Settings to pair. If need be, refer to the user's manual for your specific device for more information.
3. When successfully paired, a voice will announce, "Bluetooth is connected." The **LED Indicator** will display a solid blue light. Your Bluetooth device will now be heard through the speaker.
4. Use the controls on the connected Bluetooth device to select and play audio. Use the speaker controls or the connected Bluetooth device to play, pause, and adjust the volume level.
5. After initial pairing, the speaker will automatically connect to the last Bluetooth device used whenever it is in Bluetooth Mode. **Note:** If your device should become unpaired or you find it is unable to connect, press and hold the **Play/Pair** button to enter to Pairing Mode. A voice will announce, "Bluetooth is connecting," and you can connect to the speaker manually.

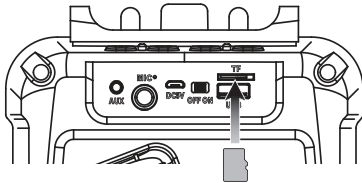
## USB & TF/Micro SD

1. Load a USB or a Micro SD memory card into the appropriate media port.
2. The speaker will automatically switch to USB/SD mode.
3. Use the controls on your device to select and play audio from the connected drive.

### USB



### TF/Micro SD



### FCC STATEMENT :

This device complies with Part 15 of the FCC Rules. Operation is subject to the following two conditions:

- (1) This device may not cause harmful interference, and
- (2) This device must accept any interference received, including interference that may cause undesired operation.

**Warning:** Changes or modifications not expressly approved by the party responsible for compliance could void the user's authority to operate the equipment.

**NOTE:** This equipment has been tested and found to comply with the limits for a

Class B digital device, pursuant to Part 15 of the FCC Rules. These limits are designed to provide reasonable protection against harmful interference in a residential installation. This equipment generates uses and can radiate radio frequency energy and, if not installed and used in accordance with the instructions, may cause harmful interference to radio communications. However, there is no guarantee that interference will not occur in a particular installation. If this equipment does cause harmful interference to radio or television reception, which can be determined by turning the equipment off and on, the user is encouraged to try to correct the interference by one or more of the following measures:

Reorient or relocate the receiving antenna.

Increase the separation between the equipment and receiver.

Connect the equipment into an outlet on a circuit different from that to which the receiver is connected.

Consult the dealer or an experienced radio/TV technician for help.

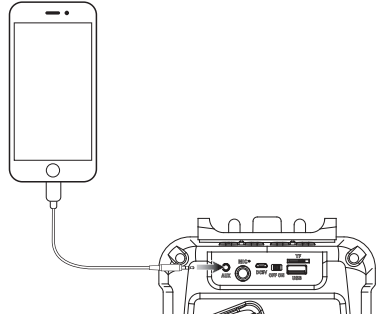
### FCC Radiation Exposure Statement:

This equipment complies with FCC radiation exposure limits set forth for an uncontrolled environment. This equipment should be installed and operated with minimum distance 20cm between the radiator & your body

## Aux In

Requires a 3.5mm audio cable (not included).

1. Connect a 3.5mm audio cable to the **Aux In** on the unit and the audio output/headphone jack on an audio device.
2. The speaker will automatically switch to **Aux Mode**.
3. Use the controls on the connected device to select and play audio. Be sure the volume on your connected device is audible when you begin playing.



## Customer Support

**Customer Service:** 1-888-999-4215 | **Email Support:** [prodinfo@dpiinc.com](mailto:prodinfo@dpiinc.com) | **Email Parts:** [partsinfo@dpiinc.com](mailto:partsinfo@dpiinc.com)

For Warranty Information and the most up-to-date version of this User's Guide, go to [www.iLiveElectronics.com](http://www.iLiveElectronics.com)

To download this User's Guide in English, Spanish, or French, or to get answers to frequently asked questions, visit the support section at: [www.iLiveElectronics.com](http://www.iLiveElectronics.com)

Para descargar este Manual del Usuario en inglés, español y francés, o para obtener respuestas a preguntas frecuentes, visite la sección de apoyo en: [www.iLiveElectronics.com](http://www.iLiveElectronics.com)

Pour télécharger ce guide de l'utilisateur en anglais, espagnol ou français, ou pour obtenir des réponses à des questions fréquemment posées, consultez la rubrique d'assistance sur: [www.iLiveElectronics.com](http://www.iLiveElectronics.com)



Copyright © 2022 Digital Products International (DPI, Inc.) All other trademarks appearing herein are the property of their respective owners. Specifications are subject to change without notice..

## Additional Warnings

- **WARNING:** To prevent fire or shock hazards, do not expose this unit to rain or moisture.
- **WARNING :** Where the mains plug or appliance coupler is used as the disconnect device, such disconnect device shall remain readily operable.
- Lithium batteries, like all rechargeable batteries, are recyclable and should be recycled or disposed of according to state and local guidelines. They should never be disposed of in normal household waste, and they should never be incinerated, as they might explode. Contact your local government for disposal or recycling practices in your area.



**WARNING:** This product can expose you to chemicals including lead, which is known to the State of California to cause cancer and birth defects or other reproductive harm. For more information go to [www.P65Warnings.ca.gov](http://www.P65Warnings.ca.gov). This product meets and complies with required Federal product guidelines.