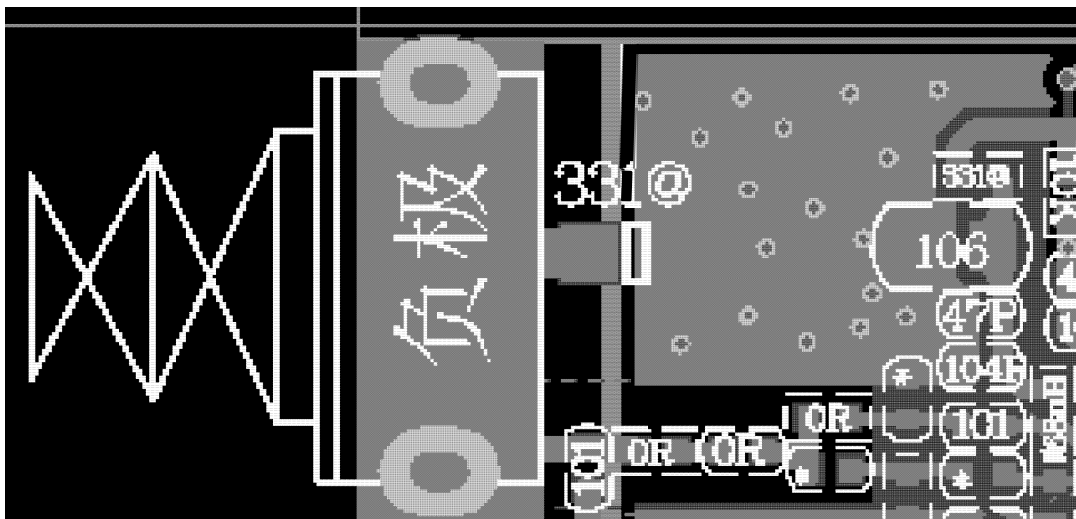


# Antenna Description

## 1、 Antenna Description

Antenna board :	monopole antenna
model :	U-T3
Transmit power:	10mw
Frequency Range:	470-960MHz
Modulation:	FM

## 2、 Antenna view

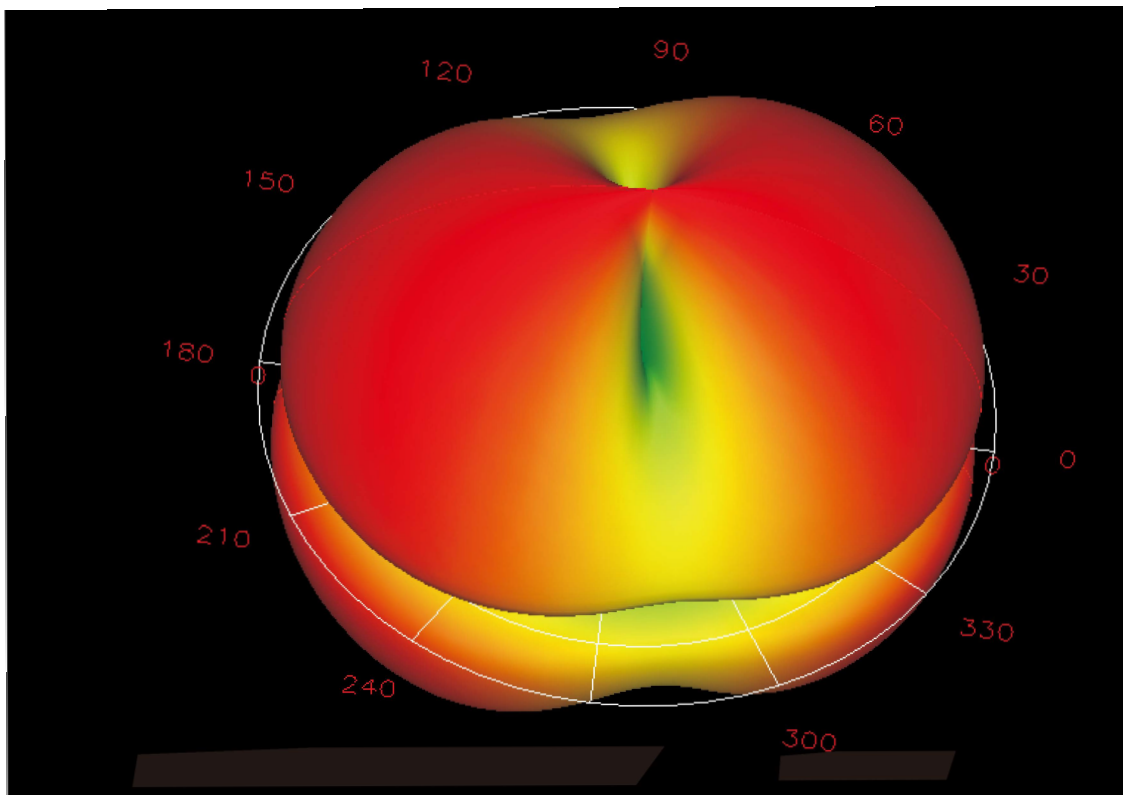


Antenna pictures

### 3、 Antenna Radiation Pattern :

#### Radiation Pattern@470-960MHz

Frequency:	470MHz	600MHz	700MHz	800MHz	960MHz
GAIN:	1.26dbi	2dbi	1.89dbi	1.76dbi	1.59dbi

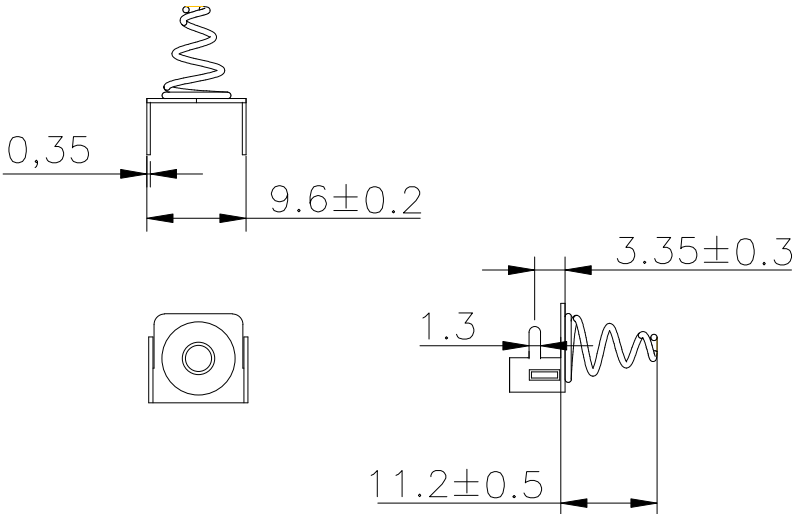


Antenna max gain: 2dbi  
Antenna impedance: 50 ohms

Manufacturer: Leqing Buliyin Electric Co., Ltd

Address: 2888 Ningkang East Road, Tiancheng Industrial Park, Butiancheng Street, Leqing, Jianjiang Province

Dimensions in M



Material: Spring steel

Spring diameter: 0.6mm

Surface treatment: degree nickel

Length: 11.2mm

picture

