



Shenzhen Certification Technology Service Co., Ltd
3F, Bldg27, Area A, Tanglang Industrial Zone, Xili Town, Nanshan
District, ShenZhen, Guang dong, P.R. China.

TEST REPORT

FCC ID: ZJEST-RFM096

Applicant : Shenzhen Star Sources Electronic Technology Co., Ltd.
Address : Room 2316, A Building Century Holiday Plaza, North Shennan RD,
Nanshan district, Shenzhen

Equipment under Test (EUT):

Name : 27MHZ RF WIRELESS MOUSE
Model : ST-RFM096

Standards : FCC Part15.227

Report No. : STE110524408

Date of Test : 05-12 May, 2011

Date of Issue : 13 May, 2011

Test Result :	PASS *
----------------------	---------------

* In the configuration tested, the EUT complied with the standards specified above

Authorized Signature

(Mark Zhu)
General Manager

The manufacture should ensure that all the products in series production are in conformity with the product sample detailed in this report.

If the product in this report is used in any configuration other than that detailed in the report, the manufacturer must ensure the new system complies with all relevant standards. Any mention of Shenzhen Certification Technology Service Co., Ltd. Or test done by Shenzhen Certification Technology Service Co., Ltd. Approvals in connection with, distribution or use of the product described in this report must be approved by Shenzhen Certification Technology Service Co., Ltd. Approvals in writing.

TABLE OF CONTENT

Description	Page
1 General Information -----	3
1.1 Description of Device (EUT)-----	3
1.2 Description of Test Facility -----	4
2 Test Equipment List-----	4
3 Summary of Measurement-----	5
4 Radiated Emission Test-----	6
4.1 Radiated Emission Limits(15.209&239)-----	6
4.2 Test Setup for Emission measurement -----	7
4.3 Test Procedure -----	8
4.4 Test Condition -----	9
4.5 Test Results-----	10
5 Bandwidth Test -----	12
5.1 Limit for Bandwidth -----	12
5.2 Method of measurement -----	12
5.3 Test Setup -----	12
5.4 Test Results-----	12
6 Band Edge Test-----	13
6.1 Test Limit-----	13
6.2 Test Procedure-----	13
6.3 Test Results-----	13
7 Antenna Requirement -----	14
7.1 Standard requirement -----	14
7.2 Result -----	14
8 Photographs of Test Setup -----	15
9 Photographs of EUT -----	17

1 General Information

1.1 Description of Device (EUT)

Trade Name : N/A
EUT : 27MHZ RF WIRELESS MOUSE

Model No. : ST-RFM096

Type of Antenna : Integral Antenna

Operation Frequency : 27.042MHZ
Modulation type ASK

Power Supply : DC 3V supply by battery (DC 2*1.5V("AA" size)=3V)
Rated RF output Power 49.14 dBuV (PK detector)

Applicant : Shenzhen Star Sources Electronic Technology Co., Ltd.
Address : Room 2316,A Building Century Holiday Plaza,
North Shennan RD, Nanshan district, Shenzhen

Manufacturer : Shenzhen Star Sources Electronic Technology Co., Ltd.
Address : Room 2316,A Building Century Holiday Plaza,
North Shennan RD, Nanshan district, Shenzhen

1.2 Description of Test Facility

Shenzhen Certification Technology Service Co.,Ltd.
 3F, Bldg.27, Area A, Tanglang Industrial Zone, Xili Town, Nanshan District, Shenzhen
 518055, Guangdong, P.R. China
 FCC Registered No.:305283

2 Test Equipment List

Equipment	Manufacture	Model No.	Serial No.	Last cal.	Cal Interval
3m Semi-Anechoic	ETS-LINDGREN	N/A	SEL0017	04/06/2011	1Year
Spectrum analyzer	Agilent	E4443A	MY46185649	06/06/2010	1Year
Receiver	R&S	ESCI	100492	04/06/2011	1Year
Receiver	R&S	ESCI	101202	07/01/2010	1Year
Bilog Antenna	Sunol	JB3	A121206	04/06/2011	1Year
L.I.S.N.	R&S	ESH3-Z5	100305	04/06/2011	1Year
Horn Antenna	EMCO	3115	640201028-06	02/23/2011	1Year
Power Meter	Anritsu	ML2487A	6K00001491	08/12/2010	1Year
ETS Horn Antenna	ETS	3160	SEL0076	04/06/2011	1Year
Active Loop Antenna	Beijing Daze	ZN30900A	SEL0097	04/06/2011	1Year
Cable	Resenberger	N/A	No.1	04/06/2011	1Year
Cable	SCHWARZBECK	N/A	No.2	04/06/2011	1Year
Cable	SCHWARZBECK	N/A	No.3	04/06/2011	1Year
Pre-amplifier	R&S	AFS42-00101 800-25-S-42	SEL0081	04/06/2011	1Year
Pre-amplifier	R&S	AFS33-18002650 -30-8P-44	SEL0080	04/06/2011	1Year

3 Summary of Measurement

Test Item	Test Requirement	Standard Paragraph	Result
Antenna Requirement	FCC PART15	15.203	Compliance
Conducted Emission	FCC PART15	15.207	Not applicable
Radiation Emission	FCC PART15	15.209&15.227	Compliance
Bandwidth Requirement	FCC PART15	15.215	Compliance
Band edge Requirement	FCC PART15	15.227	Not applicable

Note: The EUT has been tested as an independent unit. And Continual transmitting in maximum power (The new battery is used during Test).

4 Radiated Emission Test

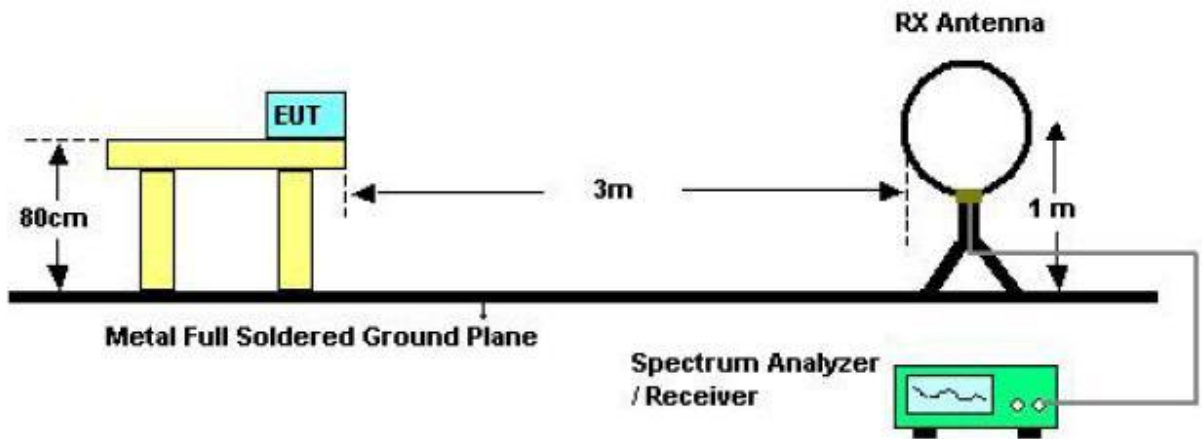
4.1 Radiated Emission Limits(15.209&227)

Frequency (MHZ)	Field Strength Limits at 3 metres (watts,e.i.r.p.)		
	uV/m	dB uV/m	Measurement distance(m)
0.009-0.490	2400/F(kHz)	XX	300
0.490-1.705	24000/F(kHz)	XX	30
1.705-30	30	29.5	30
30~88	100(3nW)	40	3
88~216	150(6.8nW)	43.5	3
216~960	200(12nW)	46	3
Above960	500(75nW)	54	3
Carrier frequency	10000	80(AV)	3
Carrier frequency		100(PK)	3

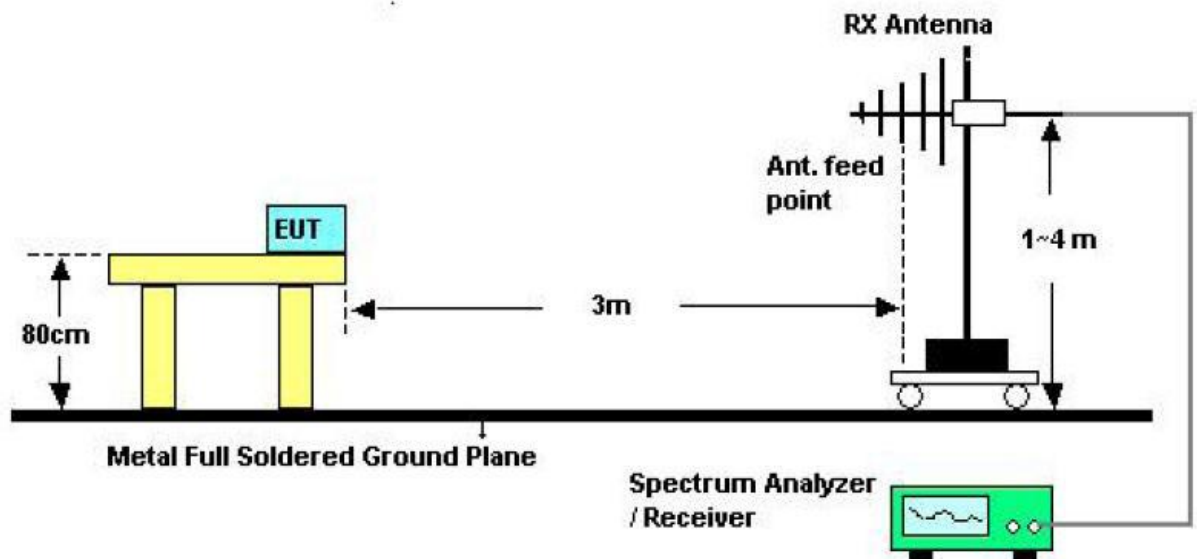
NOTE:

- a) The tighter limit applies at the band edges.
- b) Emission Level(dB uV/m)=20log Emission Level(uV/m)
- c) XX means the limit is unsure

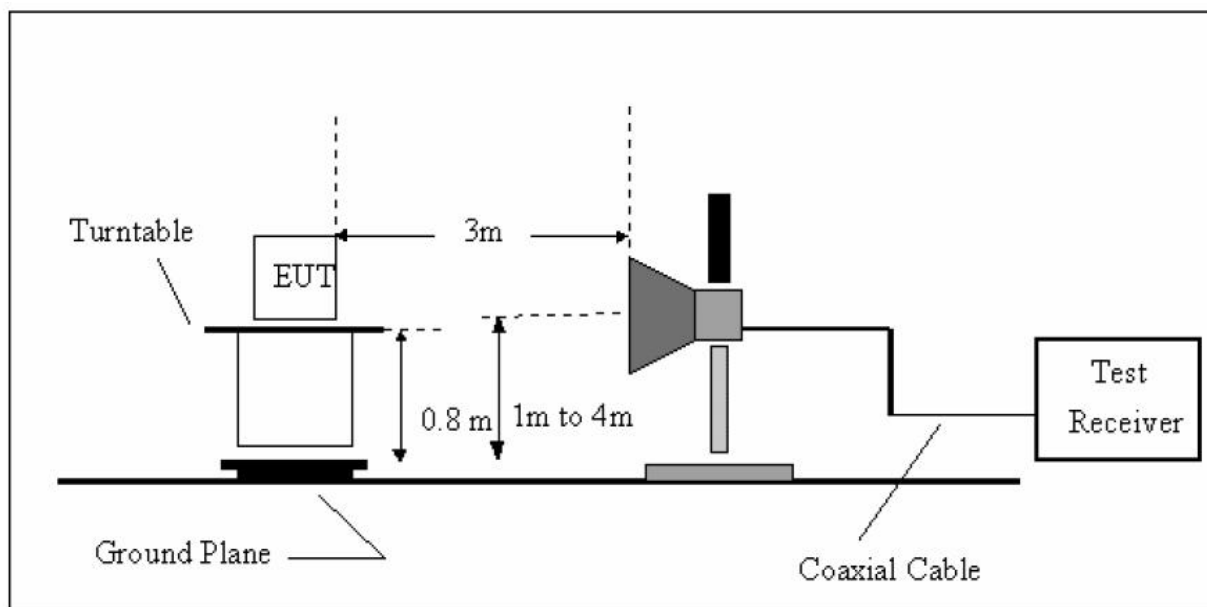
4.2 Test Setup for Emission measurement Test Setup for Emission Below 30MHz



Test Setup for Emission above 30MHz



Test Setup for Emission above 1GHz



4.3 Test Procedure

- a) The measuring distance of 3m shall be used for measurements at frequency up to 1GHz and above 1 GHz, The EUT was placed on a rotating 0.8 m high above ground. The table was rotated 360 degrees to determine the position of the highest radiation
- b) The Test antenna shall vary between 1m and 4m. Both Horizontal and Vertical antenna are set to make measurement.
- c) The initial step in collecting conducted emission data is a spectrum analyzer Peak detector mode pre-scanning the measurement frequency range. Significant Peaks are then marked and then Qusia Peak Detector mode premeasured
- d) If Peak value comply with QP limit Below 1GHZ.The EUT deemed to comply with QP limit. But the Peak value and average value both need to comply with applicable limit above 1GHZ.
- e) Repeated step a and d test with EUT in X, Y,Z position, and the maximum emissions data were recorded when EUT in X position as the test photo indicated.

f) For the actual test configuration, please see the test setup photo.

g) Test Equipment Setting For emission test:

30MHZ~1GHZ:

RBW 120KHZ VBW 300KHZ

Above 1GHZ :

RBW 1MHZ VBW 3MHZ for Peak value

RBW 1MHZ VBW 10HZ for Average Value

4.4 Test Condition

Test Audio Signal has been set to maximum Level and Continuous Transmitting in maximum power. We have scanned up the 10th harmonics about the EUT.

4.5 Test Results

Radiated Emissions Test Result

EUT	27MHZ RF WIRELESS MOUSE	Model Name	ST-RFM096
Temperature	26°C	Relative Humidity	58%
Pressure	960hPa	Test voltage	DC 3V
Test Mode	TX	TX frequency	27.042 MHZ

Freq. (MHz)	Ant.Pol. H/V	Detector Mode (PK/OP)	Reading (dBuV)	Factor (dB)	Actual FS (dBuV/m)	Limits 3m (dBuV/m)	Margin (dBuV/m)
54.05	H	Peak	31.99	-2.49	29.50	40.00	-10.50
81.10	H	Peak	31.81	3.4	35.21	40.00	-4.79
162.25	H	Peak	32.05	4.08	36.13	43.50	-7.37
379.02	H	Peak	32.32	1.07	33.39	46.00	-12.61
699.20	H	Peak	31.70	4.43	36.13	46.00	-9.87

Freq. (MHz)	Ant.Pol. H/V	Detector Mode (PK/OP)	Reading (dBuV)	Factor (dB)	Actual FS (dBuV/m)	Limits 3m (dBuV/m)	Margin (dBuV/m)
54.05	V	Peak	31.99	2.05	34.04	40.00	-5.96
81.10	V	Peak	31.81	-0.27	31.54	40.00	-8.46
162.25	V	Peak	32.05	1.11	33.16	43.50	-10.34
379.02	V	Peak	32.32	-2.15	30.17	46.00	-15.83
960.24	V	Peak	31.50	6.17	37.67	54.00	-16.33

Notes: --Means other frequency and mode comply with standard requirements and at least have 20dB margin.
 Correct Factor=Cable Loss+Antenna Factor-Amplifier Gain
 Measurement Result=Reading + Correct Factor
 Margin=Measurement Result-Limit

Radiated Emissions Result of Inside band (27MHZ)

EUT	27MHZ RF WIRELESS MOUSE	Model Name	ST-RFM096
Temperature	26°C	Relative Humidity	58%
Pressure	960hPa	Test voltage	DC 3V
Test Mode	TX	Antenna polarization	Horizontal/Vertical

Channel (27MHZ)									
Fre. MHz	Plority H/V	Reading dBuV	Antenna Factor dB	Cable Loss dB	Amplifier Gain dB	Correct Factor dB	Measure Result dBuV/m	Limit dBuV/m	Margin dB
27.042	H	64.90 (PK)	15.88	0.60	32.24	-15.76	49.14	100	-50.86
27.042	H	55.70 (AV)	15.88	0.60	32.24	-15.76	39.94	80	-40.06
--	H	--	--	--	--	--	--	--	--
27.042	V	64.52 (PK)	15.06	0.60	32.24	-16.58	47.94	100	-52.06
27.042	V	56.13 (AV)	15.06	0.60	32.24	-16.58	39.55	80	-40.45
--	V	--	--	--	--	--	--	--	--

Notes: --Means other frequency and mode comply with standard requirements and at least have 20dB margin.

Correct Factor=Cable Loss+Antenna Factor-Amplifier Gain

Measurement Result=Reading + Correct Factor

Margin=Measurement Result-Limit

--Spectrum setting:

a. Peak setting RBW=120KHz, VBW=300KHz.

b. AV setting RBW=1MHz, VBW=10Hz.

5 Bandwidth Test

5.1 Limit for Bandwidth

Please see the section 15.215.

5.2 Method of measurement

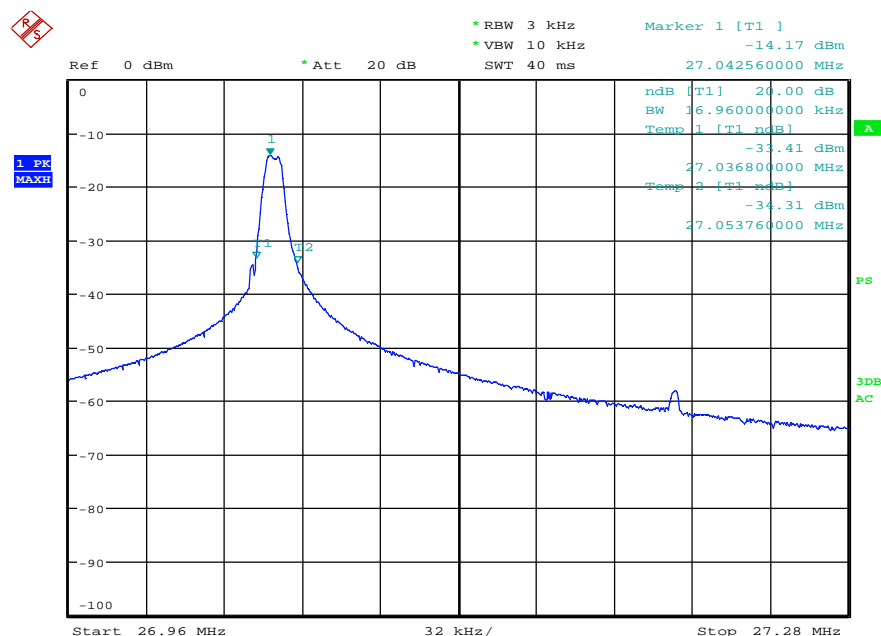
a) The bandwidth is measured at an amplitude level reduced 20dB from the reference level. The reference level is the level of the highest amplitude signal observed from the transmitter at the fundamental frequency. Once the reference level is established, the equipment is conditioned with typical modulating signal to produce the worst-case (i.e. the widest) bandwidth.

b) The test receiver RBW set 3KHZ, VBW set 10KHZ, detector: Peak.

5.3 Test Setup



5.4 Test Results



Date: 13.MAY.2011 10:45:29

27 MHz bandwidth test plot

6 Band Edge Test

6.1 Test Limit

Please see the part 15.239a

6.2 Test Procedure

- a) Put the EUT on a 0.8m high table, power on the EUT. Emissions were scanned and measured rotating the EUT to 360 degrees, Find the maximum Emission
- b) Turning to Low and High frequency, then reduced 20dB from the reference level. The reference level is the level of the highest amplitude signal observed from the transmitter at the fundamental frequency.
- c) Check the spurious emissions out of band.
- d) RBW, VBW Setting, please see the following test plot.

6.3 Test Results

The Restricted bands is 25.5-25.67 MHz and 37.5-38.25 MHz, The EUT Only operation frequency is 27.042MHz, bandwidth less than 100KHz, The test is not applicable.

7 Antenna Requirement

7.1 Standard requirement

An intentional radiator shall be designed to ensure that no antenna other than that furnished by the responsible party shall be used with the device. The use of a permanently attached antenna or of an antenna that uses a unique coupling to the intentional radiator shall be considered sufficient to comply with the provisions of this Section. The manufacturer may design the unit so that a broken antenna can be replaced by the user, but the use of a standard antenna jack or electrical connector is prohibited.

7.2 Result

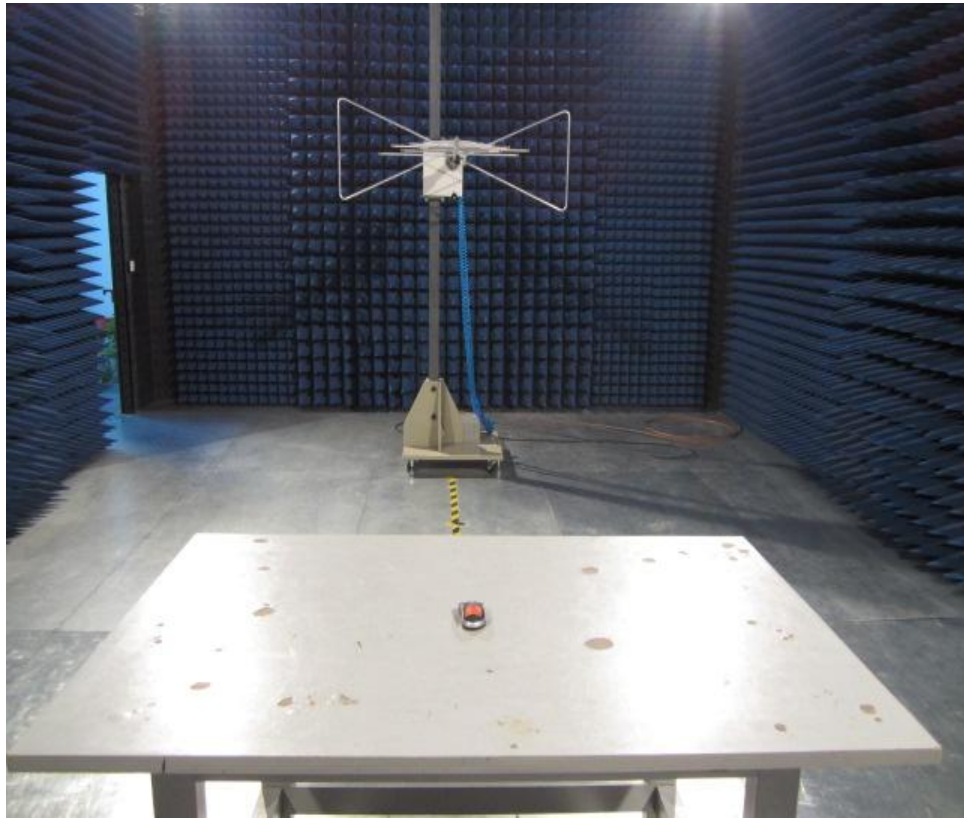
The device is integral antenna, it comply with the standard requirement.

8 Photographs of Test Setup

Photographs-Radiated Emission Test Setup in Chamber



Below 30MHz



Above 30M

9 Photographs of EUT

Figure 1

Photo of EUT

Front View []

Rear View []

Top View [✓]

Bottom View []

Left View []

Right View []

Internal View []



Figure 2

Photo of EUT

Front View []

Rear View []

Top View []

Bottom View [✓]

Left View []

Right View []

Internal View []



Figure 5

Photo of EUT

Front View []

Rear View []

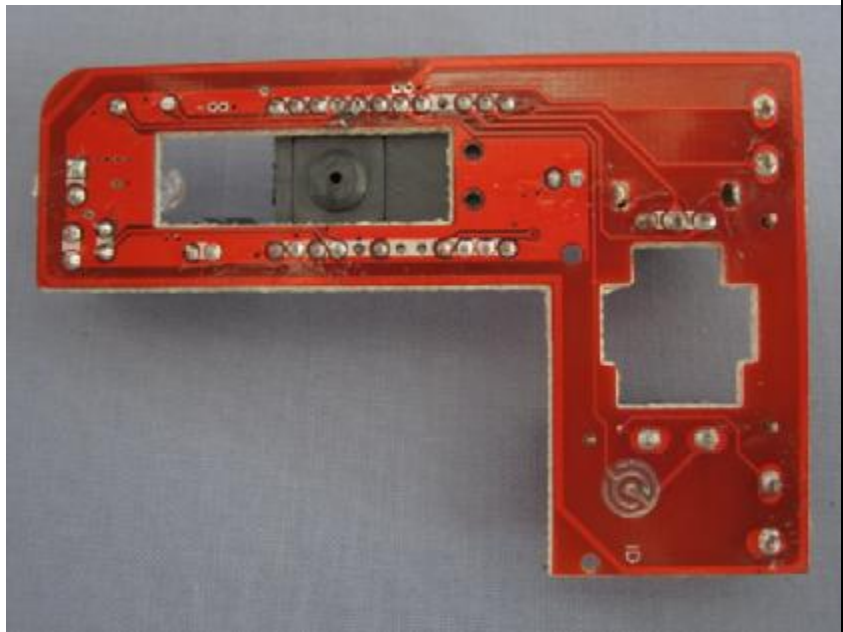
Top View []

Bottom View []

Left View []

Right View []

Internal View []



----- THE END OF REPORT-----