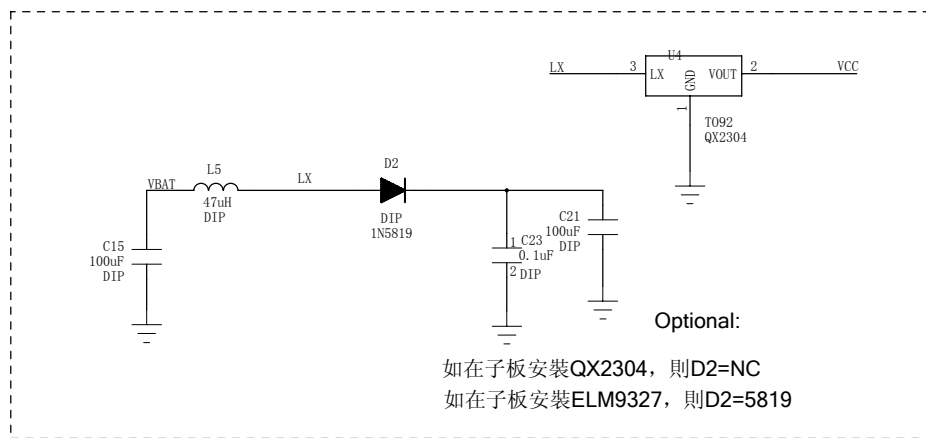
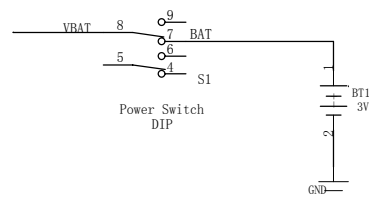
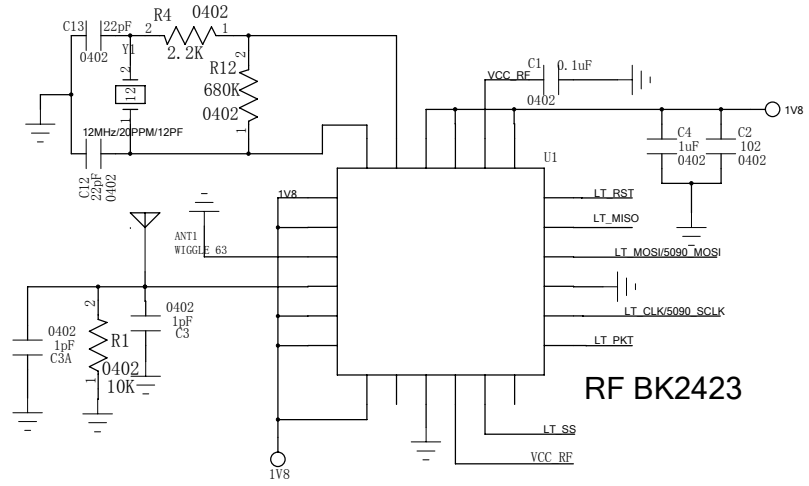
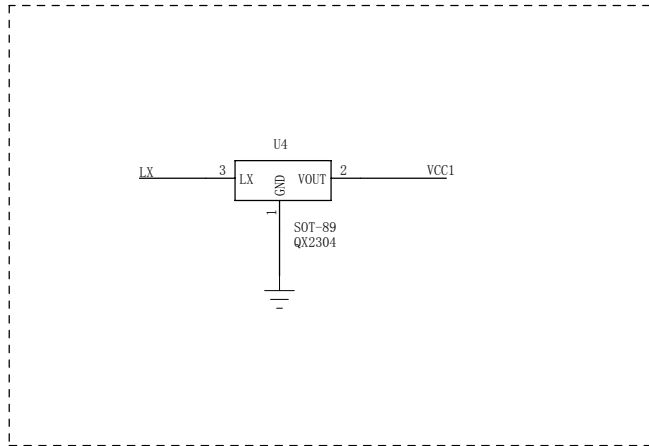


J1			
SCLK/NCS	1	SCLK	2 VCC
SDIO/MOTION	3	SDIO	4 VCC
MOTSWK/MISO	5	MOTSWK	6 LX
SPIEN/SCLK	7	SPIEN/SCLK	8
TRSDAT/MOSI	9	TRSDAT/MOSI	10 W2
GND	11	GND	12 W1
GND	13	AGND	14 PB2
PC3	15	PC3	16 PB1
PC2	17	PC2	18 PB0

SH68P090+LT8900 MD



Title		
2.4GHz Wireless Mouse SH68P090 BASE(5090)		
Size	Document Number	Rev
B	MOUSE SH68P090 BASE	Ver.1.2
Date:	20120331	Sheet 1 of 1



J1

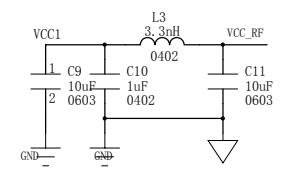
3204 SCLK/5090 NCS	1	SCLK	VCC	2	VCC
3204 SDIO/5090 MOTION	3	SDIO	VCC1	4	VCC1
3204 MOTSWK/5090 MISO	5	MOTSWK	LX	6	LX
LT CLK/5090 SCLK	7	SPIEN/SCLK	BP3	8	PB3
LT MOSI/5090 MOSI	9	TRSDAT/MOSI	W2	10	W2
GND	11	GND	W1	12	W1
GND	13	AGND	BP2	14	PB2
PC3	15	PC3	BP1	16	PB1
PC2	17	PC2	PB0	18	PB0

MDSH67P33C_18PIN (SINOWEALTH)

MCU

U3 SH68P090 DICE

3204 MOTSWK/5090 MISO	2	GND	VDD	20	VCC
3204 SDIO/5090 MOTION	3	PD0/VPP	REM	19	
3204 SCLK/5090 NCS	4	PD1	PA3	18	LT_RST
	5	PE0/SCK	PA2	17	LT_CLK/5090_SCLK
	6	PE1	PA1	16	W2
	7	PD2	PA0/SDA	15	W1
	8	PC0	PB3	14	PB3
	9	PC1	PB2	13	PB2
	10	PC2	PB1	12	PB1
	11	PC3	PB0	11	PB0



Title		
MDXX-XX-902G-67P33C-BK2423		
Size	Document Number	Rev
B	MOUSE Module	Ver.1.4C
Date:	20120216	Sheet 1 of 1