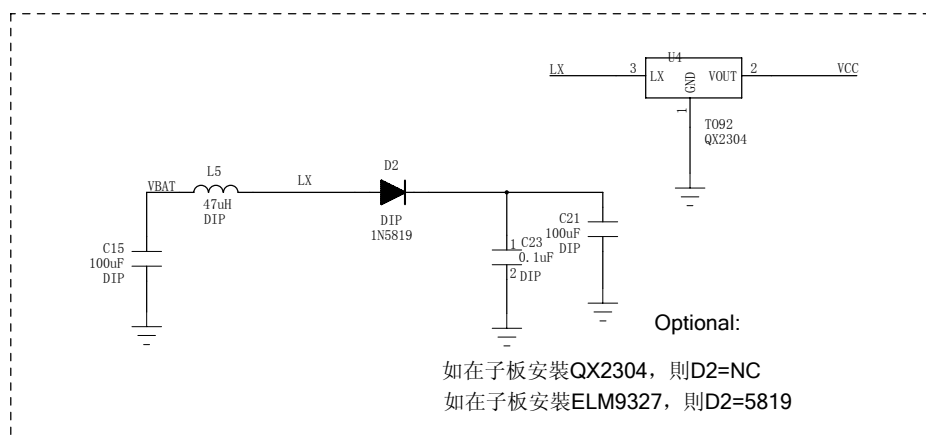
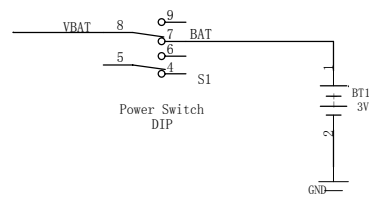
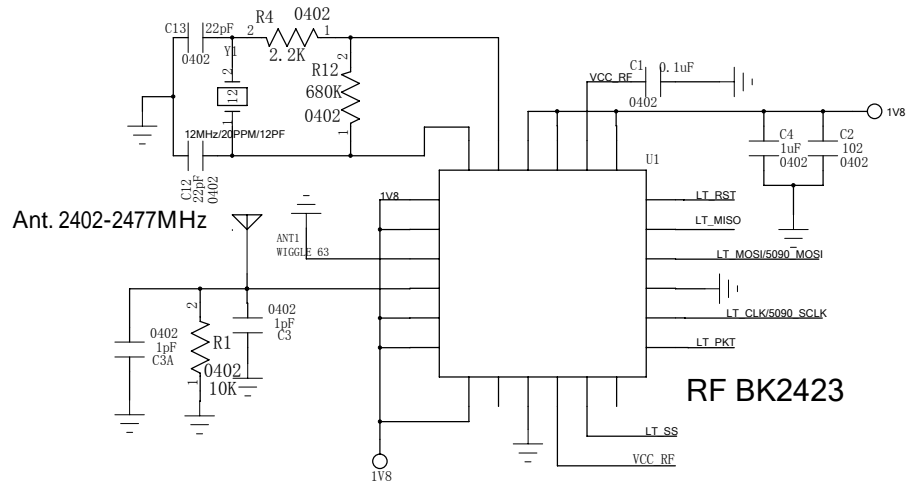
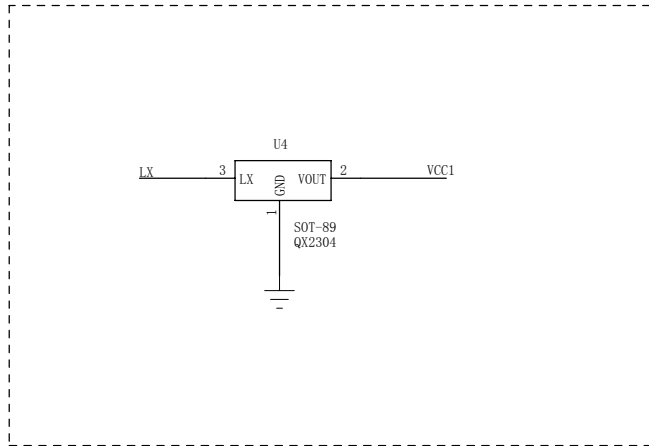


J1			
SCLK/NCS	1	SCLK	VCC
SDIO/MOTION	3	SDIO	VCC
MOTSWK/MISO	5	MOTSWK	LX
SPIEN/SCLK	7	SPIEN/SCLK	BP3
TRSDAT/MOSI	9	TRSDAT/MOSI	W2
GND	11	GND	W1
GND	13	AGND	BP2
PC3	15	PC3	BP1
PC2	17	PC2	PB0
		VCC1	4
		LX	6
		BP3	8
		W2	10
		W1	12
		BP2	14
		BP1	16
		PB0	18

SH68P090+BK2423 MD



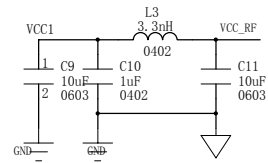
Title		
2.4GHz Wireless Mouse SH68P090 BASE(5090)		
Size	Document Number	Rev
B	MOUSE SH68P090 BASE	Ver.1.2
Date:	20120331	Sheet 1 of 1



J1			
3204 SCLK/5090 NCS	1	SCLK	VCC
3204 SDIO/5090 MOTION	3	SDIO	VCC1
3204 MOTSWK/5090 MISO	5	MOTSWK	LX
LT CLK/5090 SCLK	7	SPIEN/SCLK	BP3
LT MOSI/5090 MOSI	9	TRSDAT/MOSI	W2
GND	11	GND	W1
GND	13	AGND	BP2
PC3	15	PC3	BP1
PC2	17	PC2	PB0

MDSH67P33C\_18PIN (SINOWEALTH)

MCU			
3204 MOTSWK/5090 MISO	2	PD0/VPP	REM
3204 SDIO/5090 MOTION	3	PD1	PA3
3204 SCLK/5090 NCS	4	PE0/SCK	PA2
LT MISO	5	PE1	PA1
LT PKT	6	PD2	PA0/SDA
LT SS	7	PC0	PB3
LT MOSI/5090 MOSI	8	PC1	PB2
PC2	9	PC2	PB1
PC3	10	PC3	PB0
GND	1	VDD	19
GND	20	VCC	



Title		
MDXX-XX-902G-67P33C-BK2423		
Size	Document Number	Rev
B	MOUSE Module	Ver.1.4C
Date:	20120216	Sheet 1 of 1