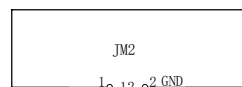
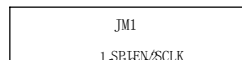
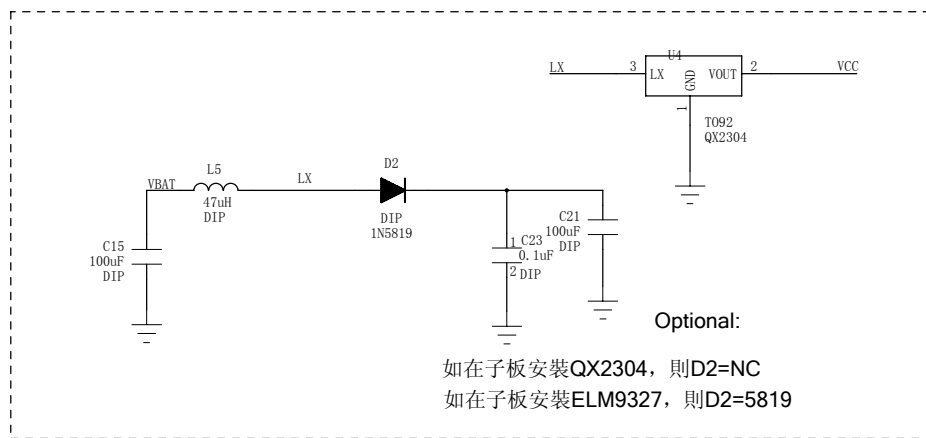
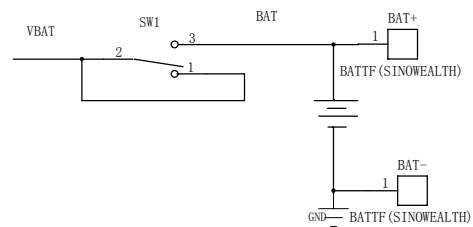
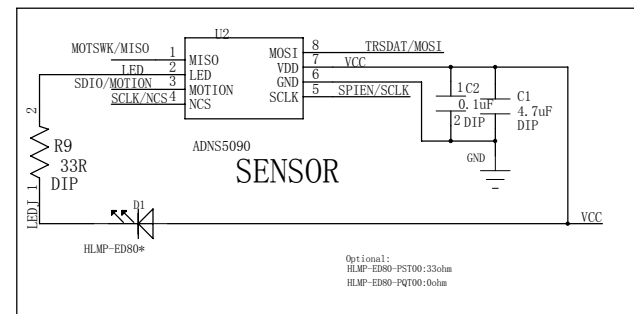


SH68P090+BR2423MD

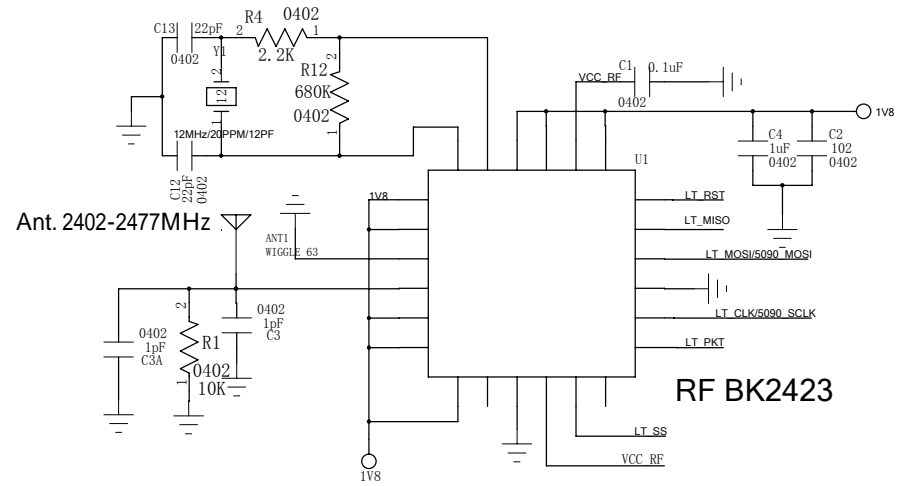
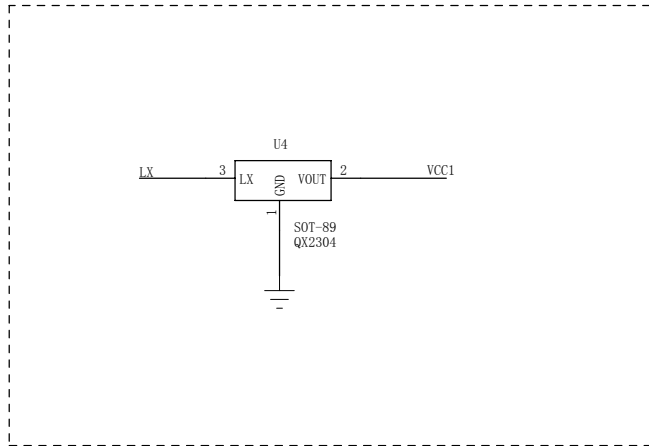


5MM



如在子板安裝QX2304, 則D2=NC  
如在子板安裝ELM9327, 則D2=5819

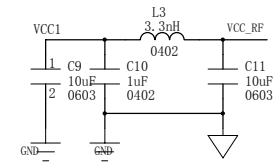
Title		
2.4GHz Wireless Mouse SH68P090 BASE(5090)		
Size	Document Number	Rev
B	MOUSE SH68P090 BASE	Ver.1.0
Date:	20120307	Sheet 1 of 1



J1			
3204 SCLK/5090 NCS	1	SCLK	VCC
3204 SDIO/5090 MOTION	3	SDIO	VCC1
3204 MOTSWK/5090 MISO	5	MOTSWK	LX
LT CLK/5090 SCLK	7	SPIEN/SCLK	BP3
LT MOSI/5090 MOSI	9	TRSDAT/MOSI	W2
GND	11	GND	W1
GND	13	AGND	BP2
PC3	15	PC3	BP1
PC2	17	PC2	PB0

MDSH67P33C\_18PIN (SINOWEALTH)

MCU			
3204 MOTSWK/5090 MISO	2	PD0/VPP	REM
3204 SDIO/5090 MOTION	3	PD1	PA3
3204 SCLK/5090 NCS	4	PE0/SCK	PA2
LT MISO	5	PE1	PA1
LT PKT	6	PD2	PA0/SDA
LT SS	7	PC0	PB3
LT MOSI/5090 MOSI	8	PC1	PB2
PC2	9	PC2	PB1
PC3	10	PC3	PB0
GND	1	VDD	19
GND	20	VCC	
GND	19	PD0/VPP	REM
GND	18	PD1	PA3
GND	17	PE0/SCK	PA2
GND	16	PE1	PA1
GND	15	PD2	PA0/SDA
GND	14	PC0	PB3
GND	13	PC1	PB2
GND	12	PC2	PB1
GND	11	PC3	PB0



Title		
MDXX-XX-902G-67P33C-BK2423		
Size	Document Number	Rev
B	MOUSE Module	Ver.1.4C
Date:	20120216	Sheet 1 of 1