

## **2.4GHz Wireless Optical Mouse**

### **BSMOW07 AND BSMD02 USER'S MANUAL**

#### **Important Ergonomic Information**

Some experts believe that using any mouse or trackball may cause serious injury to hands, wrists, arms, neck, or back. If you feel pain, numbness, or weakness in these areas, see a qualified health professional.

#### **TO REDUCE THE RISK OF INJURY, FOLLOW THESE PRECAUTIONS:**

- ☞ Take frequent breaks, get up and walk around several times every hour.
- ☞ Vary your tasks throughout the day.
- ☞ Keep your shoulders relaxed with your elbows at your side. Position your keyboard and mouse so you do not have to reach.
- ☞ Adjust your chair and keyboard so your upper arms and wrists are straight.
- ☞ Avoid resting your wrists on sharp edges.

#### **System Requirement**

- ☞ Mouse compatible with standard Microsoft OS
- ☞ If your computer's operating system is Windows 98/ 98SE, please prepare the Windows98 or 98SE compact disk for system's request during the installation of mouse.

#### **Before you begin**

- ☞ Keep this installation guide for future reference! It contains Important Troubleshooting Information.
- ☞ Keep your old PS/2 or USB mouse as back-up devices.

## Getting Started

Congratulations on your purchase of a 1,600dpi Wireless Optical Mouse. By using the advanced RF technology a 360° operation is possible and no line-of-sight is required between the receiver and the mouse. The 1,600dpi high resolution will bring users the best operation accuracy and efficiency, especially when the pixel of display over 1024\*768 pixel. It operates at twice the speed and only requires 1/4 of the space in comparison to a 400 dpi mouse.

Battery and power consumer is always the key issue for a wireless product, The BSMOW07 designed a power on/off slide switch in the mouse bottom for saving more battery life, and low power indicator on the scroll wheel of the mouse will blink to indicate battery low power. For loss prevention, store receiver in cavity on the bottom of the mouse. With numerous user-friendly functions and the compact and ergonomic design, the RF mouse may offer users the best experience of utilization and the most convenience in traveling.

### Package Contains

Your BSMOW07 Mouse package includes the following:

1. The wireless optical mouse
2. USB storable nano receiver (BSMD02)
3. User's manual
4. CD-ROM
5. 2 AAA alkaline batteries

Note : If any part is missing, please contact your dealer for a replacement immediately.

## ***Precaution***

The optical mouse **can not** work on a glass or mirror surface. Avoid operating this mouse on a glossy surface; otherwise, this mouse may not operate normally.

For consideration of saving battery power, it is strongly recommended to operate an optical mouse on a bright surface with fine texture to obtain lower power consumption of the high illumination LED. A very dark surface will cause higher power consumption.

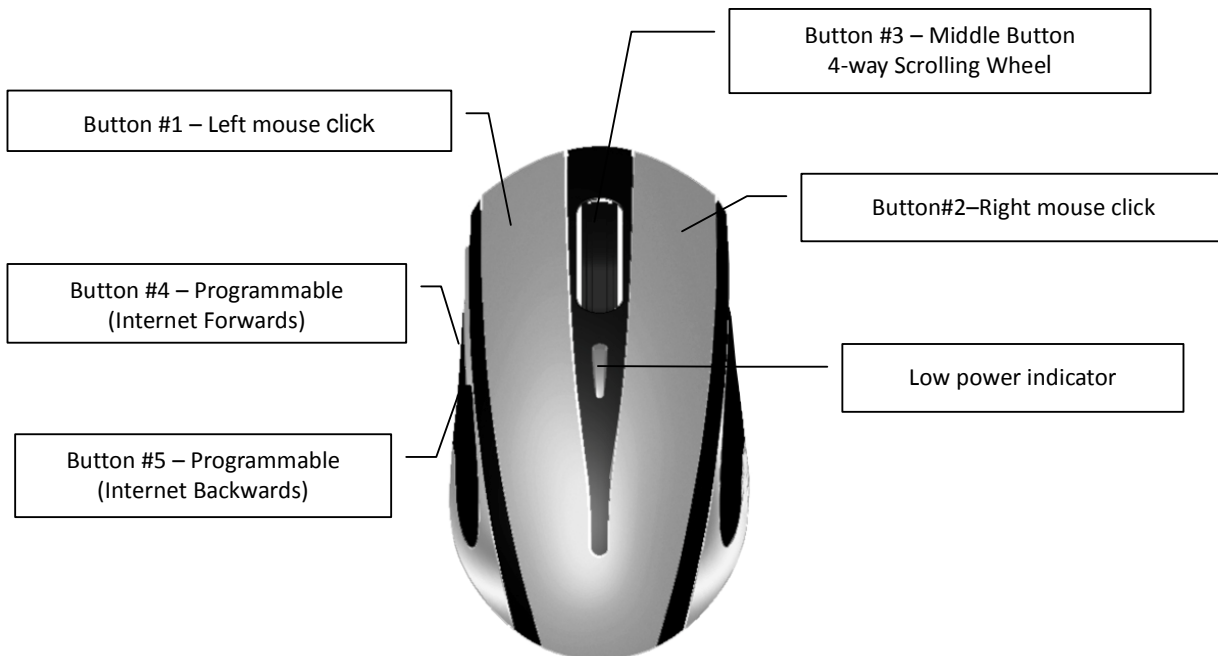
For optimal performance, mouse should be no more than 5M away from receiver.

For a better transmission distance, avoid using this device on a metal plate or desktop because a large surface of iron, aluminum, copper and other metal will act as a shield or ground to the RF antenna of the mouse and receiver. Operating on a metal surface may shorten the transmission distance.

If your notebook computer has a metal (contains Al or Mg) case, the metal housing of the LCD panel will isolate partial radiation of the RF signal from the mouse. This could possibly result in reducing the distance of transmission when you operate the mouse right in front of the notebook and when the receiver is connected on the back of the notebook. However, the RF mouse should work properly while you are operating the mouse just beside your desktop computer.

## Overview

### Button Definition



## Hardware Installation Guide (Mouse)

### **Battery installation:**

1. Remove the battery compartment cover.
2. Install batteries with the positive (+) & negative (-) in the correct direction indicated by the battery compartment label.
3. Replace battery compartment cover.

*(Caution: Do not look directly in to the optical emitter. Keep away from young children)*

### **Connect the receiver with computer.**

Plug in the USB receiver to any available USB port or hub connected to your computer. *(Windows will now detect the mouse and install the required drivers automatically).*

*JUST SIMPLY MOVING THE MOUSE, YOUR MOUSE IS NOW READY TO BE USED*

Note: \* During normal use, please make sure that the mouse is no more than 5M away from the receiver in order to have reliable connection.

## **Operation Guide**

### **BATTERY LOW INDICATION**

When battery becomes low, battery indicator LED on the top side of the mouse will flashing on/ off when moving or clicking the mouse. The mouse will continue to operate for a period of time depending on usage, but batteries should be replaced immediately.

### **OPERATIONS ON POWER SAVING MODE**

In order to conserve battery power, the mouse is designed to reduce power consumption gradually from standby mode to sleep mode, if it is not being used.

**Stand by modes:** The standby mode is entered immediately upon stopping moving mouse. The optical sensor of the mouse will reduce current consumption gradually.

**Sleep mode:** When the RF link between the mouse and the receiver is stopped (Ex: host computer is turned off, or the mouse is out of range the mouse goes to sleep mode. In sleep mode, pressing any key can bring the mouse back to work.

**POWER ON/OFF:** For the consideration of traveling purpose, this mouse designed a slide switch in the mouse bottom, provides power ON/ OFF function to avoid inadvertently waking up the mouse, saving more battery life.

**BATTERY REMOVAL:** There is no need to re-do the binding process when battery is removed from and re-installed to the mouse.

### **RECEIVER (BSMD02) STORAGE**

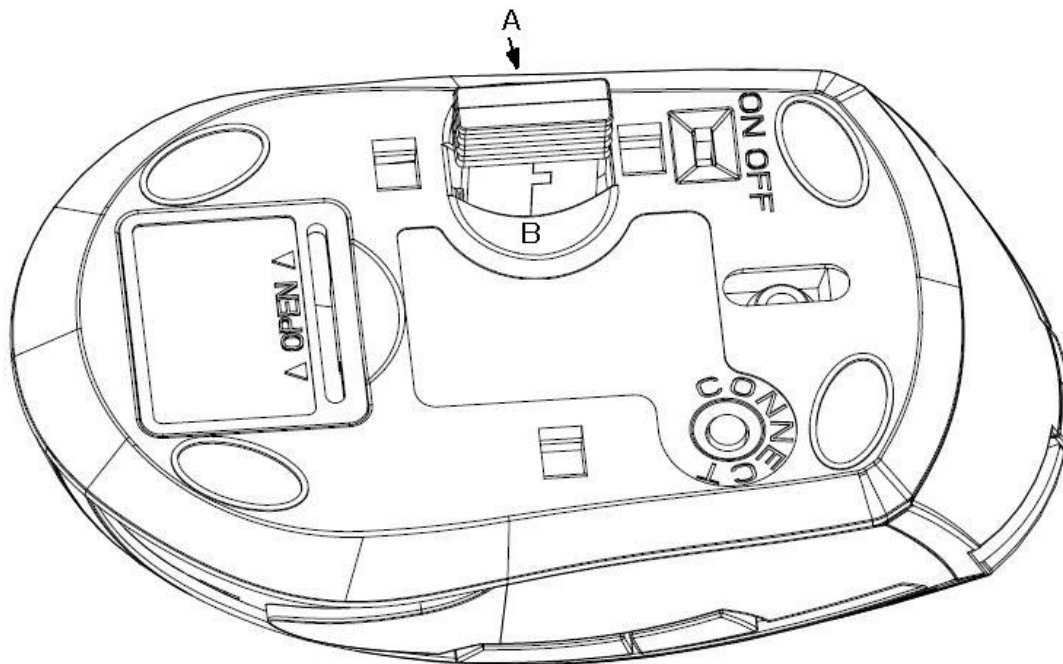
For travel and loss prevention, store receiver in cavity on the bottom of the mouse.

#### **Storing receiver:**

To store in the mouse bottom, place USB plug end of receiver (A) then push the receiver into position (B). Receiver will now be locked into position.

#### **Removing Receiver:**

Push out to life receiver from cavity. The USB is now active and ready to be inserted into your computer's USB port.



## GENERAL SPECIFICATIONS

- 5 Buttons Wireless optical mouse.
- Precision Optical Sensor
- Long range/ Less interference wireless connection
- Low power indicator.
- USB storable nano receiver
- Ergonomic design (universal left and right handed)
- 2 AAA Alkaline batteries to operate the mouse.
- Compatible with USB V1.1 low-speed & USB 2.0 high-speed.

## Troubleshooting

Common troubleshooting steps

1. If you feel the mouse does not move smooth as usual, please check the battery indicator on the mouse. If batteries have lost their charge, replace them. Remember do not put the batteries in the wrong direction
2. Un-plug and re-plug the receiver.
3. Install fresh batteries in the mouse
4. Test the device on another USB port or computer
5. Some surfaces may “trick” the sensor, such as reflective surfaces like glass or mirrors. As a result this product will not work on glass or mirror surfaces. The sensor should perform well on all other surfaces.

### ***Federal Communication Commission Interference Statement***

---

This equipment has been tested and found to comply with the limits for a Class B digital device, pursuant to Part 15 of the FCC Rules. These limits are designed to provide reasonable protection against harmful interference in a residential installation. This equipment generates, uses and can radiate radio frequency energy and, if not installed and used in accordance with the instructions, may cause harmful interference to radio communications. However, there is no guarantee that interference will not occur in a particular installation. If this equipment does cause harmful interference to radio or television reception, which can be determined by turning the equipment off and on, the user is encouraged to try to correct the interference by one of the following measures:

- Reorient or relocate the receiving antenna.
- Increase the separation between the equipment and receiver.
- Connect the equipment into an outlet on a circuit different from that to which the receiver is connected.
- Consult the dealer or an experienced radio/TV technician for help.

FCC Caution: Any changes or modifications not expressly approved by the party responsible for compliance could void the user's authority to operate this equipment.

This device complies with Part 15 of the FCC Rules. Operation is subject to the following two conditions: (1) This device may not cause harmful interference, and (2) this device must accept any interference received, including interference that may cause undesired operation.