



Client Station TPWLR58C1 System User Guide

Customer Document

Version 1.2

Last Update: 30 September 2015

Confidential Notice:

This document contains confidential information of TruePath Wireless, LLC. The disclosure and use of the contents of this document are governed by the terms of the Nondisclosure Agreement (NDA) signed and agreed to by employees, contractors, consultants, and others working with TruePath Wireless, LLC. Please review the terms of the NDA before distributing the contents of this document.

The contents of this document shall not be copied, reproduced, transferred to other documents, disclosed to others, or used for any other purpose(s) except as provided for in the NDA or with prior written permission of TruePath Wireless, LLC.

CPE TPWLR58C1
SYSTEM USER GUIDE

Version 1.2
30 September 2015

Revision History

Status	Document Version	Date	Description (author or approver)
Document Started	1.0	08/25/2015	Document generated from editing of Brian Fox "TPWLR58B1 (v1.0) SUG" doc.
Update	1.1	09/24/2015	Edited for CPE context.
Update	1.2	09/30/2015	Added IC statements in French. Removed references to external antenna.

CPE TPWLR58C1
SYSTEM USER GUIDEVersion 1.2
30 September 2015

Table of Contents

Table of Figures	4
Table of Tables	4
1. Product Overview	5
1.1 Package Contents	5
1.1.1 Embedded Device (Base Station or Client Station)	5
1.2 System Requirements	6
1.3 Hardware	6
1.3.1 Client Station	6
2. Installation	7
2.1 Hardware Installation	7
2.1.1 Mounting a Client Station	7
2.1.2 Connecting a Client Station	8
3. Command Line Interface (CLI)	11
3.1 Connecting/First-Time Login	11
3.1.1 Network Role	11
3.1.2 Bridge Role	12
3.1.2.1 Common Network Settings	12
3.1.3 Router Role	13
3.1.4 Static Routes	13
3.1.5 Embedded CLI	13
3.1.5.1 Set	14
3.1.5.2 Show	15
3.2 TruePath Wireless GUI	16
APPENDIX A: Specifications	17
Client Station (CPE TPWLR58C1)	17
APPENDIX B: FCC Interference Statement	18
Federal Communication Commission Interface Statement	18
IMPORTANT NOTE: FCC Radiation Exposure Statement	18
APPENDIX C: IC Interference Statement	19
APPENDIX D: Support/Contact Information	19

CPE TPWLR58C1
SYSTEM USER GUIDE

Version 1.2
30 September 2015

Table of Figures

Figure 1 - Client Station	5
Figure 2 - Client Station Hardware	6
Figure 3 - Mounting a Client Station	8
Figure 4 - Connecting a Client Station	9
Figure 5 - Shipboard Mount	10

Table of Tables

Table 1 - Client Station External Connectors / Features.....	7
Table 2 - Network Modes	11
Table 3 - Network Settings (Static).....	12
Table 4 - Network Settings (Common)	12
Table 5 - WLAN Network Settings.....	13

CPE TPWLR58C1
SYSTEM USER GUIDE

Version 1.2
30 September 2015

1. Product Overview

The purpose of this document, *System User Guide*, is to allow service personnel to install and configure the TruePath wireless broadband system. This system is designed to offer network services and connectivity that meet or exceed the WiMAX standard Internet services.

Key system features are: support for 5.8GHz radio frequencies, a fully integrated web-based device management and billing gateway, and a software configurable wireless physical layer that allows adjustment of the transmit/receive frames, frequency, and power to work and function with the adjustment of just a few parameters.

1.1 Package Contents

The system is designed for easy installation and use right out of the box.

1.1.1 Embedded Device (Base Station or Client Station)

The package contains (1) embedded device: Client Station (Figure 1) shown below.

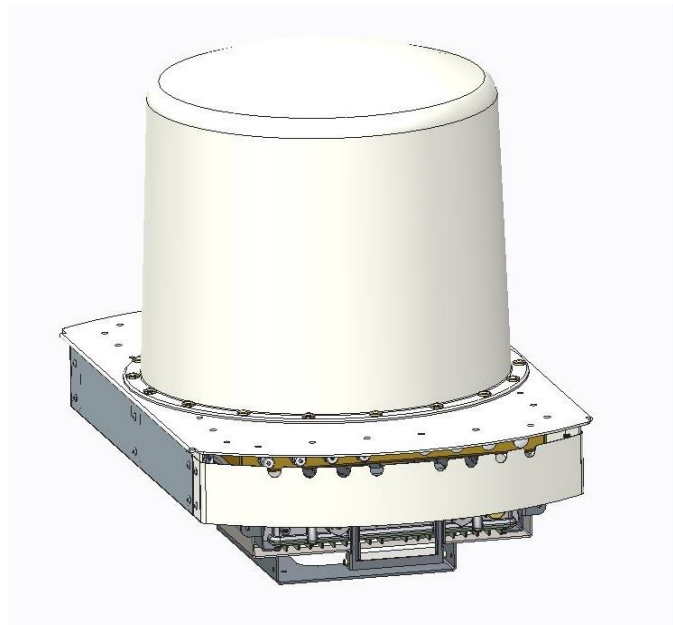


Figure 1 - Client Station

Other items included in the package are:
Power Supply Unit (PSU) (Part# TPW-PS-002US)

CPE TPWLR58C1
SYSTEM USER GUIDE

Version 1.2
30 September 2015

1.2 System Requirements

Managing the system is done primarily through client shell services such as SSH and telnet. Below is a list of system requirements needed to manage the system:

Microsoft Windows (XP, Vista, 7), Linux, MAC OS X
Clients: telnet, SSH

1.3 Hardware

The Client Station (CPE) is enclosed in weatherproof mechanical enclosure. The CPE may be equipped with an external (remote) antenna array (not shown) that is optimized for use in the 5.8GHz frequency band. If equipped, this array should be connected to external RF Antenna Ports 1 and 2.

1.3.1 Client Station

The client station enclosure consists of a single integrated unit. For standard operation, only power, data and GPS data need to be connected for the unit to function as shown in Figure 2.

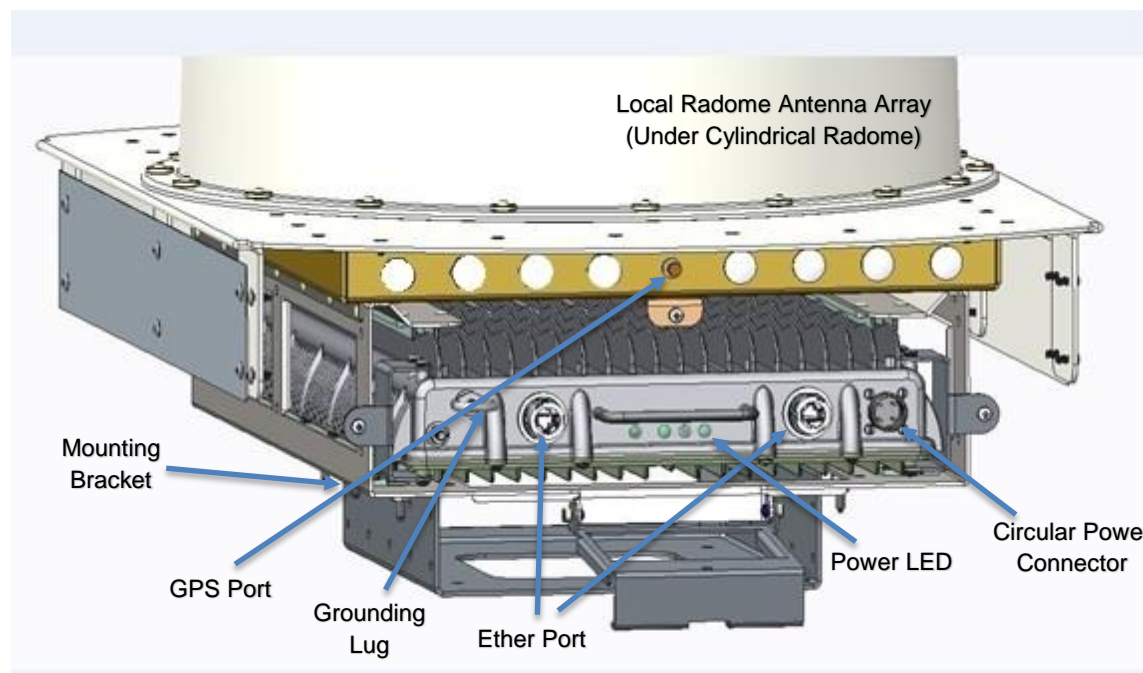


Figure 2 - Client Station Hardware

CPE TPWLR58C1
SYSTEM USER GUIDE

Version 1.2
30 September 2015

The remaining connectors and their function are summarized in Table 1 below.

Connector/Feature	Type
Mounting Bracket	Bottom of enclosure mounts to standard pedestal interface
Circular Power Connector	+48VDC Input
Ethernet Port(s) Qty: 2	Ethernet RJ-45 connector
Local Radome Antenna Array	Integrated (Internal)
Grounding Lug	Nut/bolt
Power LED	Not illuminated due to Maritime navigation rules

Table 1 - Client Station External Connectors / Features

2. Installation

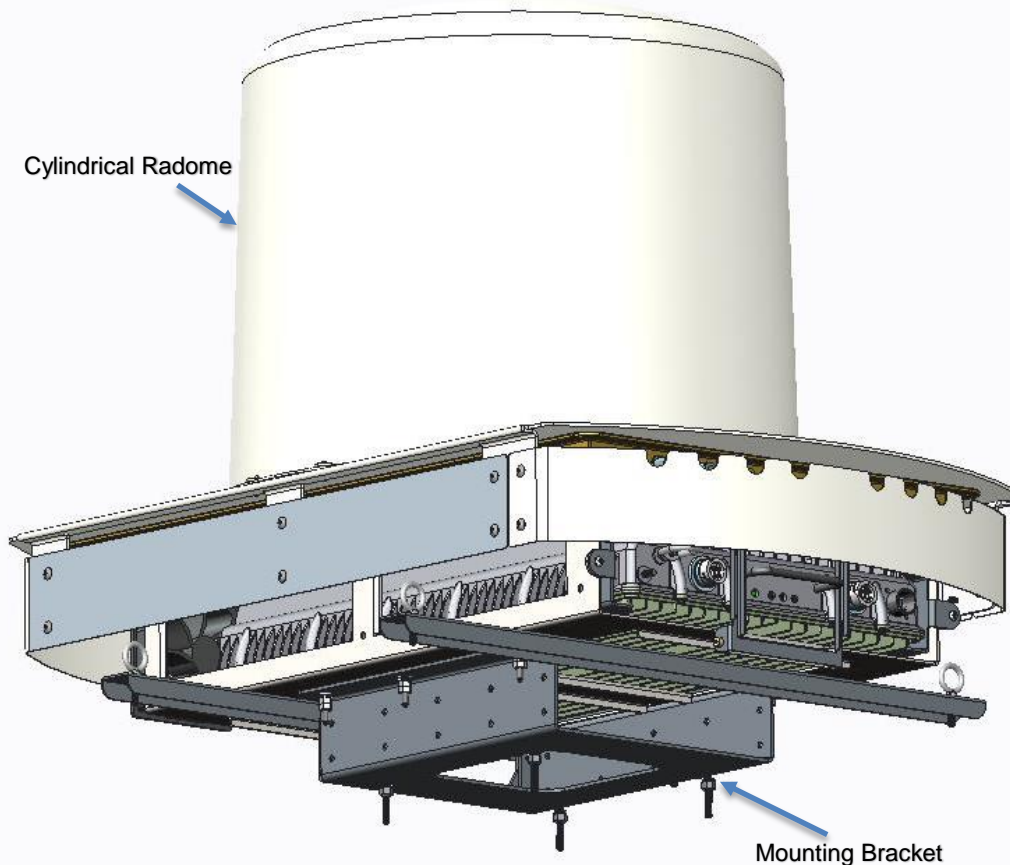
The TPWLR58C1 Client Station must be installed by professional installation contractors, trained by TruePath Wireless, LLC. The FCC Part 15 requirements will be followed by the professional installers.

2.1 *Hardware Installation*

The following sections describe various hardware installation features for both the client and base stations.

2.1.1 **Mounting a Client Station**

Please refer to the “TPMC Radome360 Installation Guide”

**CPE TPWLR58C1
SYSTEM USER GUIDE**Version 1.2
30 September 2015**Figure 3 - Mounting a Client Station**

The finned thermal heat sink allows the unit to dissipate enough heat such that no additional environmental controls are needed.

2.1.2 Connecting a Client Station

As mentioned in previous sections, power and ethernet data connection are needed to activate the client station. To accomplish this, two weatherized RJ-45 connectors and cables should be plugged into the client station chassis and twisted to lock into place (as shown in Figure 4). Additionally, weather sealing tape should be wrapped around the connectors to provide another sealing layer (especially in humid or rainy environments).

CPE TPWLR58C1
 SYSTEM USER GUIDE

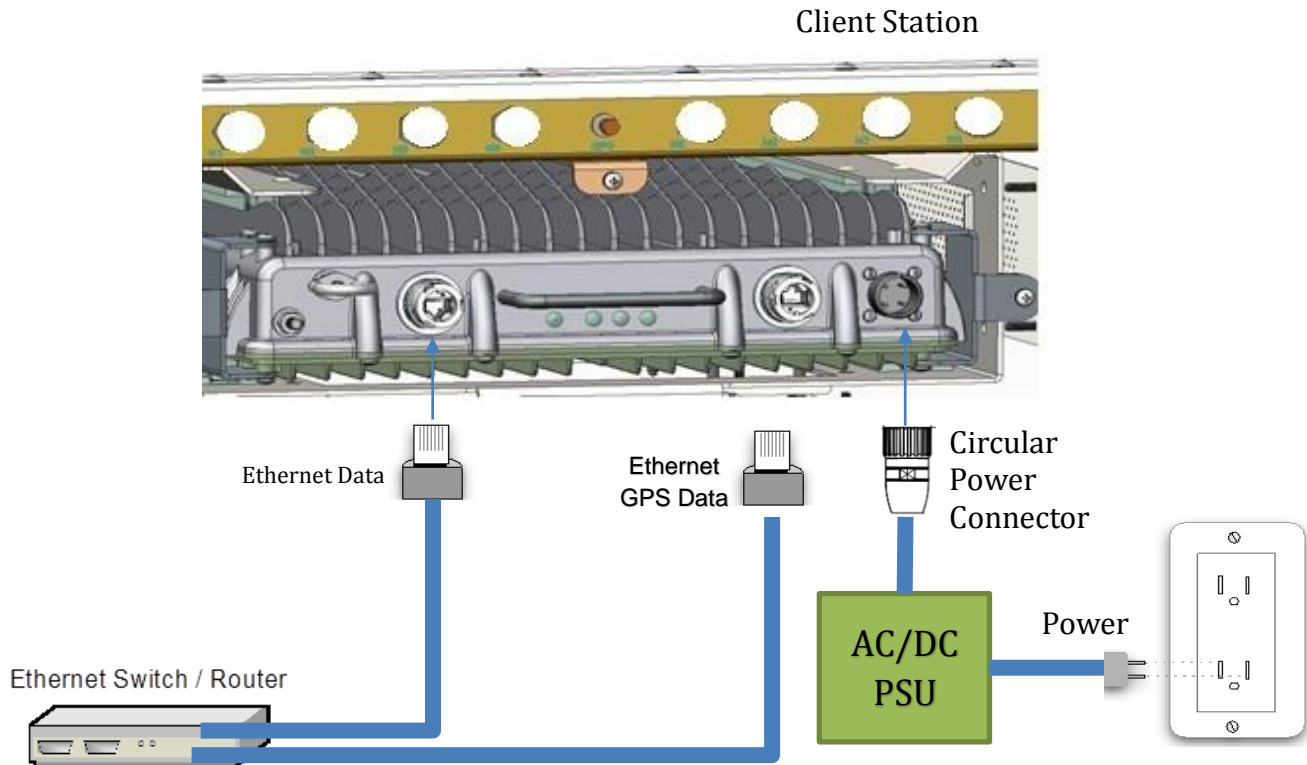
 Version 1.2
 30 September 2015


Figure 4 - Connecting a Client Station

In either case, the Ethernet data lines are terminated at an Ethernet switch or router and the power cable is plugged into the power supply unit (PSU).

Figure 5 shows the CPE mounted on the forward mast of a cruise ship.

**CPE TPWLR58C1
SYSTEM USER GUIDE**Version 1.2
30 September 2015**Figure 5 – Shipboard Mount**

CPE TPWLR58C1
SYSTEM USER GUIDEVersion 1.2
30 September 2015

To configure the radio frequency and channel bandwidth, the system is equipped with a command line interface. This and other operational configuration parameters are discussed in the following sections.

3. Command Line Interface (CLI)

After the base station and/or client are connected to power and Ethernet, the system should initially be connected to a computer. NOTE: the Ethernet port is equipped with auto MDI-X rollover capability.

3.1 Connecting/First-Time Login

The default user name and password is:

Username: admin

Password: admin

These can be changed from the CLI interface after initial login. It is important to note that this account can change all aspects of the management system; therefore the admin password should be changed immediately to avoid a security breach.

The *TPWLR58C1* has the capability to be configured as either a network bridge or router. The following (2) sections provide some background of the configuration options and capabilities of the system.

3.1.1 Network Role

Each network mode is listed and described in Table 2 below.

Network Mode	Description
Router	IP packets are routed (Layer 3) between wired and wireless interfaces. Lower layer broadcast packets are dropped at each interface. Multicast packets can be configured to forward across.
Bridged	Configures the unit as a transparent Layer 2 Ethernet bridge. All packets (unicast, multicast, and broadcast) are forwarded between the wireless and wired interfaces (subject to ACL and firewall rules).

Table 2 - Network Modes

There is an option to disable specific interfaces. Please use this with extreme caution. Once disabled, no traffic will be accepted or passed from the interface (LAN/WAN).

CPE TPWLR58C1
SYSTEM USER GUIDE

Version 1.2
30 September 2015

3.1.2 Bridge Role

As mentioned in the previous section, bridge mode configures the unit as a transparent Layer 2 Ethernet bridge. All user data packets (unicast, multicast, and broadcast) are forwarded between the wireless and wired interfaces (subject to ACL and firewall rules).

The bridged mode management interface is configured via static IP.

The settings and descriptions are listed in Table 3 below.

Network Settings (Static)	Description
IP Address	IP address used for device management.
Netmask	Dotted decimal representation of 4 binary octets that determine which part of address is the network and that of the host (the mask). For example, 255.255.255.0 is the most common mask used.
Gateway IP	Represents the address to send non-local data to. The local network means any network that is configured on the device (i.e. bridge IP network). In bridge mode, this IP address must be in the same IP space as the bridge IP network.

Table 3 - Network Settings (Static)

In bridge network role, the gateway IP address also shows up in the static route table (covered in a later section).

3.1.2.1 Common Network Settings

In addition to addressing, there are several network settings that are commonly configured in bridge network role. These include spanning tree protocol and IP aliasing. A list and description of each is in Table 4.

Network Settings (Common)	Description
Spanning Tree Protocol (STP)	IEEE 802.1d protocol that works on bridged interfaces to find the shortest path between to stations. Also, detects and blocks loops by preventing the same hardware/MAC address from being accepted from a port that it has transmitted the same address from.

Table 4 - Network Settings (Common)

CPE TPWLR58C1
SYSTEM USER GUIDE

Version 1.2
30 September 2015

3.1.3 Router Role

Management IP packets are routed (Layer 3) between wired and wireless interfaces. Lower layer broadcast packets are dropped at each interface.

Below (Table 5) is a list of settings and descriptions that are specific to the wireless LAN (WLAN) interface when the device is configured in a router role.

Network Settings	Description
IP Address	IP address used for device management. It is accessible from both the wireless and wired LAN interfaces.
Netmask	Dotted decimal representation of 4 binary octets that determine which part of address is the network and that of the host (the mask). For example, 255.255.255.0 is the most common mask used.

Table 5 - WLAN Network Settings

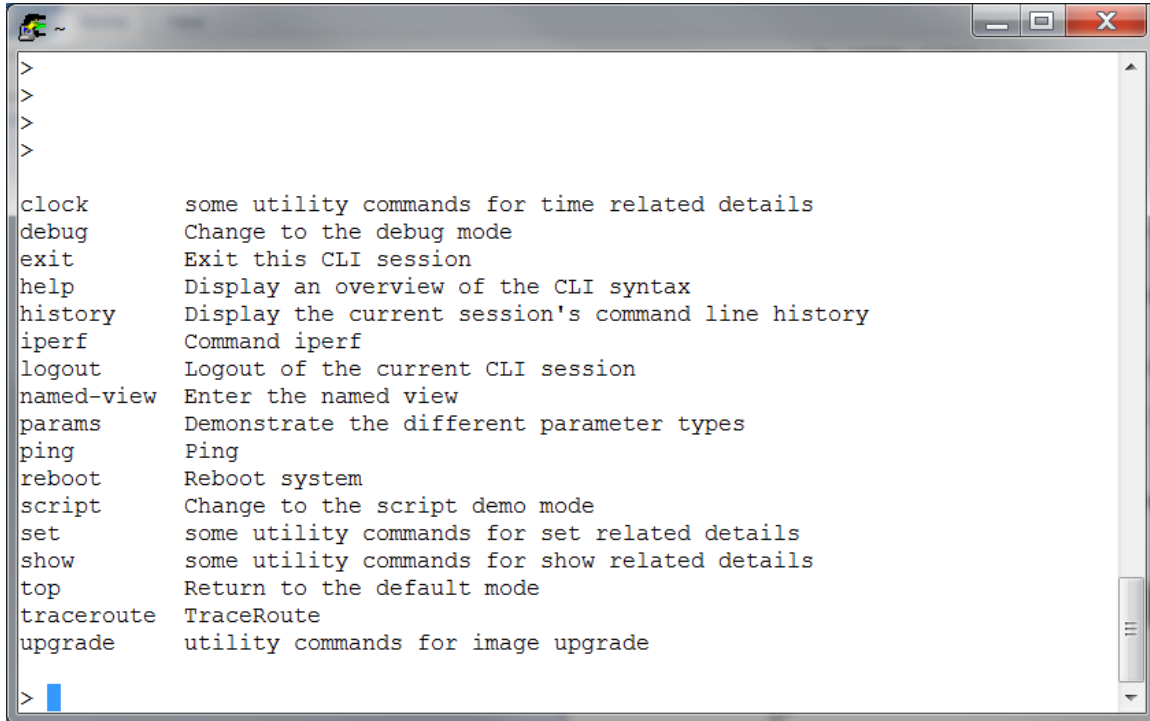
3.1.4 Static Routes

In both routed and static network modes, static routes can be entered to provide entries to the gateway interfaces for the networks served by the network interfaces (ROUTED, or BRIDGED). In bridging mode, there should only be one gateway IP address to point to networks outside of the management IP network space. As a router, the gateway IP address points to the location that services the destination network.

3.1.5 Embedded CLI

The command line interface is a structured (hierarchical XML configuration) customer user interface. It is equipped with features that are typically found on carrier-class systems. This includes help, command completion, and option range/bounds checking. Similarly, the interface is serviced by a secure sockets shell server and is fully integrated with the Linux authentication subsystem.

Additionally, the CLI is equipped to support look up tables to allow the CLI to be customized to make commands easier to read- while maintaining the underlying software interface. Figure 6 shows some of the available root level commands.

CPE TPWLR58C1
SYSTEM USER GUIDEVersion 1.2
30 September 2015

```
>
>
>
>
clock          some utility commands for time related details
debug          Change to the debug mode
exit           Exit this CLI session
help           Display an overview of the CLI syntax
history        Display the current session's command line history
iperf          Command iperf
logout         Logout of the current CLI session
named-view     Enter the named view
params         Demonstrate the different parameter types
ping           Ping
reboot         Reboot system
script         Change to the script demo mode
set            some utility commands for set related details
show           some utility commands for show related details
top            Return to the default mode
traceroute     TraceRoute
upgrade        utility commands for image upgrade
>
```

Figure 6 - Embedded CLI

Basic level connectivity utilities are included such as support for IPerf and ping. The user can initiate help by pressing the 'TAB' key or by typing a '?' at any level of the command, including options.

3.1.5.1 Set

The 'set' command (from the top level) is the primary configuration command. It can be used to configure system, network, and radio parameters. Changes to the configuration are automatically saved to the flash. This has the potential to cause certain parameters to be out of sync as they only take effect at boot time. These parameters have a warning message displayed, as the information is committed. Alternatively, a transaction-based configuration system is available in the software package.

CPE TPWLR58C1
SYSTEM USER GUIDEVersion 1.2
30 September 2015

APPENDIX A: Specifications

Client Station (CPE TPWLR58C1)

Dimensions	37.7" H x 23.5" W x 23.7" D
Weight (estimated)	CPE 75 lbs
Ports	1 10/100/1000 Ethernet Port 1 Power Port 1 10/100/1000 Ethernet Port (GPS) 1 GPS Antenna Port* (External coax; Reserved) 1 Grounding Lug
LED	1 Power
Radio Frequency Band	5.8 GHz
Power	48VDC, 100 Watts
Operating Temperature	-45C to 55C
Storage Temperature	-45C to 80C

*when configured

Under Industry Canada regulations, this radio transmitter may only operate using an antenna of a type and maximum (or lesser) gain approved for the transmitter by Industry Canada. To reduce potential radio interference to other users, the antenna type and its gain should be so chosen that the equivalent isotropically radiated power (e.i.r.p.) is not more than that necessary for successful communication.

Conformément à la réglementation d'Industrie Canada, le présent émetteur radio peut fonctionner avec une antenne d'un type et d'un gain maximal (ou inférieur) approuvé pour l'émetteur par Industrie Canada. Dans le but de réduire les risques de brouillage radioélectrique à l'intention des autres utilisateurs, il faut choisir le type d'antenne et son gain de sorte que la puissance isotrope rayonnée équivalente (p.i.r.e.) ne dépasse pas l'intensité nécessaire à l'établissement d'une communication satisfaisante.

CPE TPWLR58C1
SYSTEM USER GUIDE

Version 1.2
30 September 2015

APPENDIX B: FCC Interference Statement

Federal Communication Commission Interface Statement

This equipment has been tested and found to comply with the limits for a Class B digital device, pursuant to Part 15 of the FCC rules. These limits are designed to provide reasonable protection against harmful interference in a residential installation. This equipment generates, uses and can radiate radio frequency energy and, if not installed and used in accordance with the instructions, may cause harmful interference to radio communications. However, there is no guarantee that interference will not occur in a particular installation. If this equipment does cause harmful interference to radio or television reception, which can be determined by turning the equipment off and on, the user is encouraged to try to correct the interference by one of the following measures:

- Reorient or relocate the receiving antenna.
- Increase the separation between the equipment and the receiver.
- Connect the equipment into an outlet on a circuit different from that to which the receiver is connected.
- Consult the dealer or experience radio/TV technician for help.

FCC Caution: Any changes or modifications not expressly approved by the party responsible for compliance could void the user's authority to operate this equipment.

This device complies with Part 15 of the FCC Rules. Operation is subject to the following two conditions: (1) This device may not cause harmful interference, and (2) this device must accept any interference received, including interference that may cause undesired operation.

IMPORTANT NOTE: FCC Radiation Exposure Statement

This equipment complies with FCC radiation exposure limits set forth for an uncontrolled environment. This equipment should be installed and operated with a minimum distance of 20cm between the radiator and your body.

NOTE IMPORTANTE: Déclaration de la FCC sur l'exposition aux irradiations

Cet équipement est conforme aux limites de radiation de la FCC comme indiquées pour un environnement non contrôlé. Cet équipement doit être installé et utilisé avec un minimum de 20 cm de distance entre la source de rayonnement et votre corps.

CPE TPWLR58C1
SYSTEM USER GUIDE

Version 1.2
30 September 2015

APPENDIX C: IC Interference Statement

This device complies with Industry Canada license-exempt RSS standard(s). Operation is subject to the following two conditions:

1. This device may not cause harmful interference;
2. This device must accept any interference received, including interference that may cause undesired operation of the device.

Cet appareil est conforme à Industrie Canada une licence standard RSS exonérés (s). Son fonctionnement est soumis aux deux conditions suivantes:

1. Cet appareil ne doit pas provoquer d'interférences
2. Cet appareil doit accepter toute interférence reçue, y compris les interférences pouvant provoquer un fonctionnement indésirable de l'appareil.

APPENDIX D: Support/Contact Information

TruePath Wireless Support

TruePath Wireless Support Engineers are located in the U.S. and are dedicated to helping customers resolve issues as quickly as possible. Please email all issues and requests to:

Email: support@truepathwireless.com



2860 Zanker Way, Suite 210
San Jose, CA 95134
USA
© 2015 TruePath Wireless, LLC