



Base Station TPWLR58B1 System User Guide

Customer Document

Version 1.1

Last Update: 1 September 2015

Confidential Notice:

This document contains confidential information of TruePath Wireless, LLC. The disclosure and use of the contents of this document are governed by the terms of the Nondisclosure Agreement (NDA) signed and agreed to by employees, contractors, consultants, and others working with TruePath Wireless, LLC. Please review the terms of the NDA before distributing the contents of this document.

The contents of this document shall not be copied, reproduced, transferred to other documents, disclosed to others, or used for any other purpose(s) except as provided for in the NDA or with prior written permission of TruePath Wireless, LLC.

BTS TPWLR58B1
SYSTEM USER GUIDE

Version 1.1
Date 1 September 2015

Revision History

Status	Document Version	Date	Description (author or approver)
Document Started	1.0	08/25/2015	Document generated from editing of Brian Fox "TPWLR58B1 (v1.0) SUG" doc.
Update	1.1	1 Sept 2015	Added professional installation statement, and edited Appendix-A, number of external N-Type connectors, and use. Dimensions.

BTS TPWLR58B1
 SYSTEM USER GUIDE

 Version 1.1
 Date 1 September 2015

Table of Contents

Table of Figures	4
Table of Tables	4
1. Product Overview	5
1.1 Package Contents	5
1.1.1 Embedded Device (Base Station or Client Station)	5
1.2 System Requirements	6
1.3 Hardware	6
1.3.1 Base Station	6
2. Installation	7
2.1 Hardware Installation	7
2.1.1 Mounting a Base Station	8
2.1.2 Connecting a Base Station	8
2.1.3 External (Remote) Antenna Array (Optional)	9
3. Command Line Interface (CLI)	10
3.1 Connecting/First-Time Login	11
3.1.1 Network Role	11
3.1.2 Bridge Role	11
3.1.2.1 Common Network Settings	12
3.1.3 Router Role	12
3.1.4 Static Routes	13
3.1.5 Embedded CLI	13
3.1.5.1 Set	14
3.1.5.2 Show	15
3.2 TruePath Wireless GUI	16
APPENDIX A: Specifications	17
Base Station (BTS TPWLR58B1)	17
APPENDIX B: FCC Interference Statement	18
Federal Communication Commission Interface Statement	18
IMPORTANT NOTE: FCC Radiation Exposure Statement	18
APPENDIX C: IC Interference Statement	19
APPENDIX D: Support/Contact Information	19

**BTS TPWLR58B1
SYSTEM USER GUIDE**Version 1.1
Date 1 September 2015**Table of Figures**

Figure 1 - Base Station	5
Figure 2 - Base Station Hardware	6
Figure 3 - Mounting a Base Station	8
Figure 4 - Connecting a Base Station	9
Figure 5 - External (remote) Antenna Array	10
Figure 6 - Embedded CLI	14
Figure 7 - Embedded CLI Set Command Options	15
Figure 8 - Embedded CLI Show Command Options	16

Table of Tables

Table 1 - Base Station External Connectors / Features	7
Table 2 - Network Modes	11
Table 3 - Network Settings (Static)	12
Table 4 - Network Settings (Common)	12
Table 5 - WLAN Network Settings	13

BTS TPWLR58B1
SYSTEM USER GUIDE

Version 1.1
Date 1 September 2015

1. Product Overview

The purpose of this document, *System User Guide*, is to allow service personnel to install and configure the TruePath wireless broadband system. This system is designed to offer network services and connectivity that meet or exceed the WiMAX standard Internet services.

Key system features are: support for 5.8GHz radio frequencies, a fully integrated web-based device management and billing gateway, and a software configurable wireless physical layer that allows adjustment of the transmit/receive frames, frequency, and power to work and function with the adjustment of just a few parameters.

1.1 Package Contents

The system is designed for easy installation and use right out of the box.

1.1.1 Embedded Device (Base Station or Client Station)

The package contains (1) embedded device: Base Station (Figure 1) shown below.

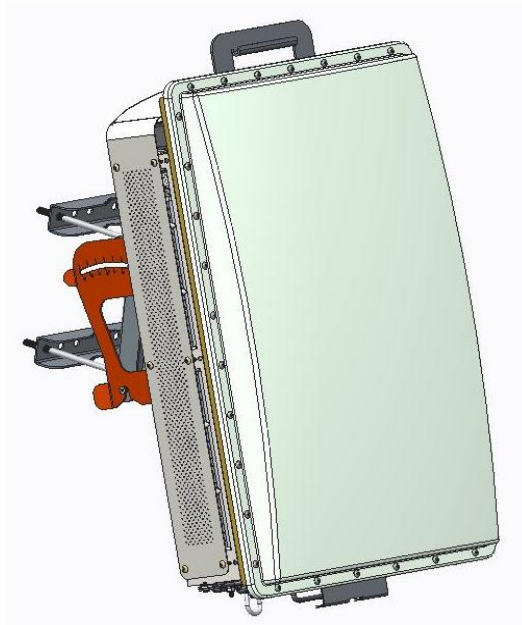


Figure 1 - Base Station

Other items included in the package are:

Power Supply Unit (PSU) (Part# TPW-PS-002US)

**BTS TPWLR58B1
SYSTEM USER GUIDE**Version 1.1
Date 1 September 2015Ethernet Cable w/ Weatherproof Connector
User Guide CD**1.2 System Requirements**

Managing the system is done primarily through client shell services such as SSH and telnet. Below is a list of system requirements needed to manage the system:

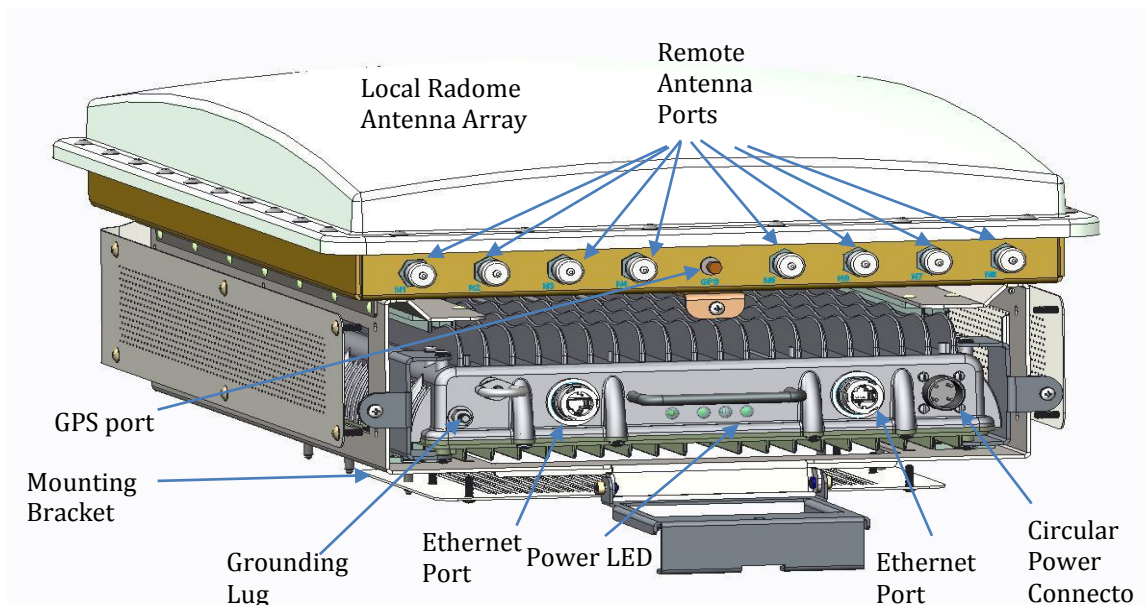
Microsoft Windows (XP, Vista, 7), Linux, MAC OS X
Clients: telnet, SSH

1.3 Hardware

The Base Station (BTS) is enclosed in weatherproof mechanical enclosures. The unit has no moving parts and can be installed in a variety of locations including building roofs and eaves, and mobile phone towers. The BTS may be equipped with an external (remote) antenna array (not shown) that is optimized for use in the 5.8GHz frequency band. If equipped, this array should be connected to external RF Antenna Ports 1,2,7, and 8 (port for port).

1.3.1 Base Station

The base station enclosure consists of a single integrated unit. For standard operation, only power and data need be connected for the unit to function as down in Figure 2.

**Figure 2 - Base Station Hardware**

BTS TPWLR58B1
 SYSTEM USER GUIDE

Version 1.1
 Date 1 September 2015

The remaining connectors and their function are summarized in Table 1 below.

Connector/Feature	Type
Mounting Bracket	Custom bracket that wraps around a pole.
Circular Power Connector	+48VDC Input
Ethernet Port(s) Qty: 2	Ethernet RJ-45 connector w/ external aux (reserved) weatherproof enclosure.
External Antenna Ports (1-8)	N-type RF connectors
Local Radome Antenna Array	Integrated (Internal)
Grounding Lug	Nut/bolt
Power LED	High-intensity single color (green) LED

Table 1 - Base Station External Connectors / Features

There are two high intensity LEDs that allow network support personnel the ability to see if the unit is functioning properly from the ground level.

Finally, a custom-mounting bracket is included for pole applications. This and other installation techniques are covered in later sections of this document.

2. Installation

The TPWLR58B1 Base Station must be installed by professional installation contractors, trained by TruePath Wireless, LLC. The FCC Part 15 requirements will be followed by the professional installers.

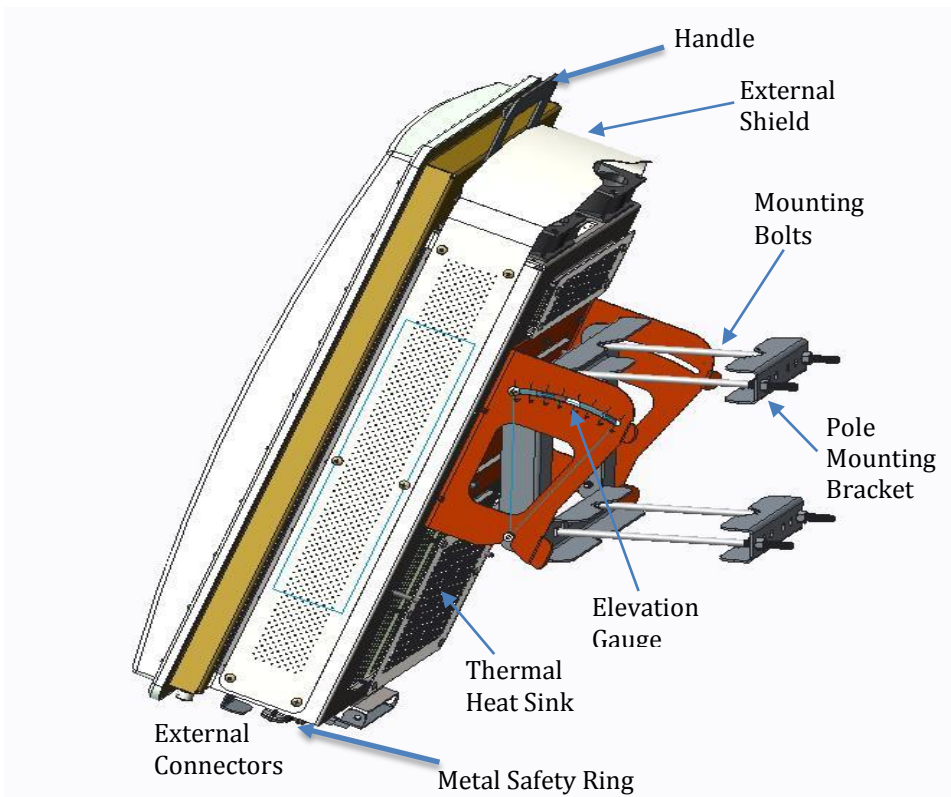
To install the system, first the Internet Service Provider (ISP) needs to procure tower space for base station sectors and connect them to an Internet backhaul provider. Next, the back office consists of a webserver/payment gateway hosted by a 3rd party provider, while a radius/User manager, network management system (NMS) client and server are needed to support, provision, and configure the network. Finally, an embedded client is installed at the target facility.

2.1 Hardware Installation

The following sections describe various hardware installation features for both the client and base stations.

**BTS TPWLR58B1
SYSTEM USER GUIDE**Version 1.1
Date 1 September 2015**2.1.1 Mounting a Base Station**

Several features are included with the base station mounting hardware to make installation easier as illustrated in Figure 3 below. First, when climbing up a tower, the mount features a handle for the installer to carry or fasten the unit. Second, an elevation gauge aids installations where the pole is already calibrated. Third, the pole-mounting bracket is adjustable to allow anchoring of the unit to poles with different diameters. Fourth, a metal safety ring is included near the connectors which may be used to facilitate hoisting or lowering of the BTS during install or removal. Finally, the external connectors are placed at the bottom of the unit to limit weather exposure.

**Figure 3 - Mounting a Base Station**

The finned thermal heat sink allows the unit to dissipate enough heat such that no additional environmental controls are needed.

2.1.2 Connecting a Base Station

As mentioned in previous sections, power and an Ethernet data connection are needed to activate the base station. To accomplish this, two weatherized RJ-45 connectors and cables should be plugged into the base station chassis and twisted to lock into place (as

**BTS TPWLR58B1
 SYSTEM USER GUIDE**

 Version 1.1
 Date 1 September 2015

shown in Figure 4). Additionally, weather sealing tape should be wrapped around the connectors to provide another sealing layer (especially in humid or rainy environments).

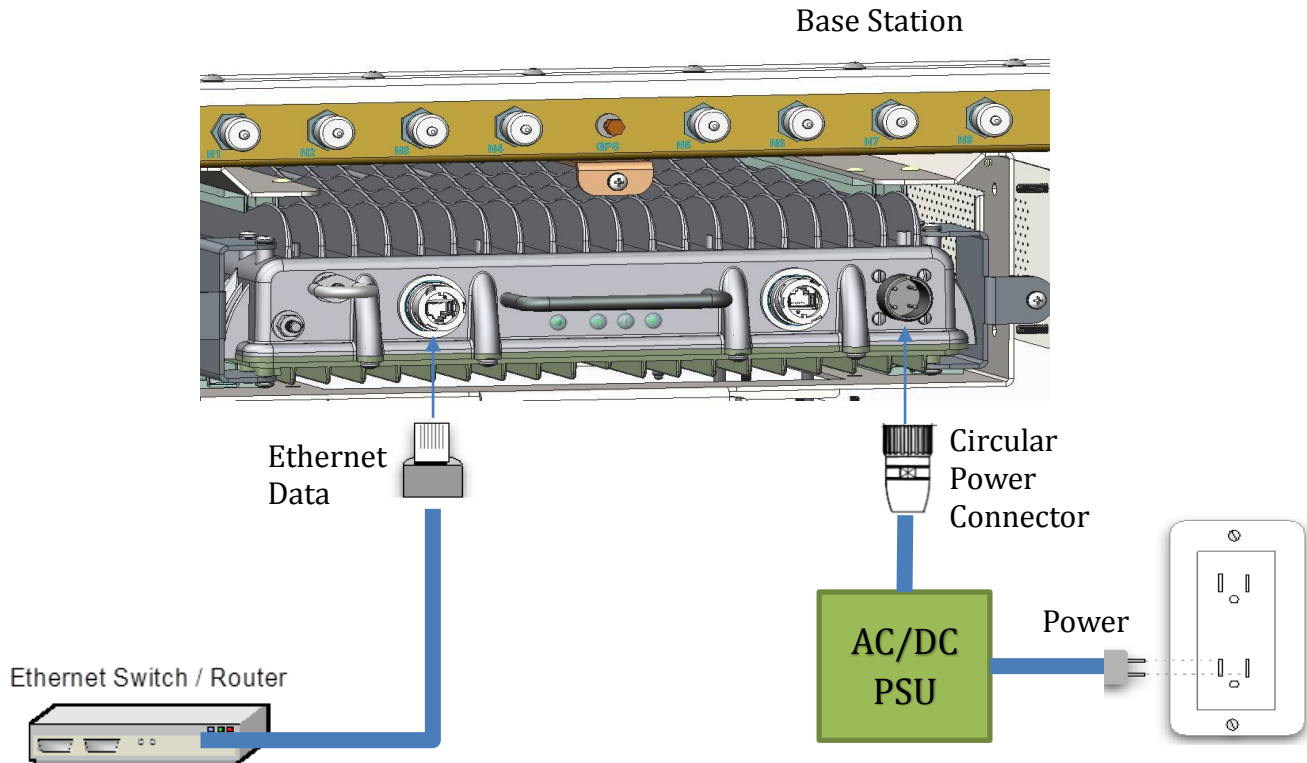


Figure 4 - Connecting a Base Station

In either case, the Ethernet data line is terminated at an Ethernet switch or router and the power cable is plugged into the house power supply.

2.1.3 External (Remote) Antenna Array (Optional)

An external (remote) antenna array designed to operate in the 5.8GHz radio frequency channels (software configurable) may be connected to the BTS TPWLR58B1.

For example, Figure 5 shows the BTS configured with the external (remote) 5.8GHz antenna array.

**BTS TPWLR58B1
SYSTEM USER GUIDE**Version 1.1
Date 1 September 2015**Figure 5 – External (remote) Antenna Array**

To configure the radio frequency and channel bandwidth, the system is equipped with a command line interface. This and other operational configuration parameters are discussed in the following sections.

3. Command Line Interface (CLI)

After the base station and/or client are connected to power and Ethernet, the system should initially be connected to a computer. NOTE: the Ethernet port is equipped with auto MDI-X rollover capability.

**BTS TPWLR58B1
SYSTEM USER GUIDE**Version 1.1
Date 1 September 2015**3.1 Connecting/First-Time Login**

The default user name and password is:

Username: admin**Password: admin**

These can be changed from the CLI interface after initial login. It is important to note that this account can change all aspects of the management system; therefore the admin password should be changed immediately to avoid a security breach.

The *TPWLR58B1* has the capability to be configured as either a network bridge or router. The following (2) sections provide some background of the configuration options and capabilities of the system.

3.1.1 Network Role

Each network mode is listed and described in Table 2 below.

Network Mode	Description
Router	IP packets are routed (Layer 3) between wired and wireless interfaces. Lower layer broadcast packets are dropped at each interface. Multicast packets can be configured to forward across.
Bridged	Configures the unit as a transparent Layer 2 Ethernet bridge. All packets (unicast, multicast, and broadcast) are forwarded between the wireless and wired interfaces (subject to ACL and firewall rules).

Table 2 - Network Modes

There is an option to disable specific interfaces. Please use this with extreme caution. Once disabled, no traffic will be accepted or passed from the interface (LAN/WAN).

3.1.2 Bridge Role

As mentioned in the previous section, bridge mode configures the unit as a transparent Layer 2 Ethernet bridge. All user data packets (unicast, multicast, and broadcast) are forwarded between the wireless and wired interfaces (subject to ACL and firewall rules).

The bridged mode management interface is configured via static IP.

The settings and descriptions are listed in Table 3 below.

BTS TPWLR58B1
 SYSTEM USER GUIDE

 Version 1.1
 Date 1 September 2015

Network Settings (Static)	Description
IP Address	IP address used for device management.
Netmask	Dotted decimal representation of 4 binary octets that determine which part of address is the network and that of the host (the mask). For example, 255.255.255.0 is the most common mask used.
Gateway IP	Represents the address to send non-local data to. The local network means any network that is configured on the device (i.e. bridge IP network). In bridge mode, this IP address must be in the same IP space as the bridge IP network.

Table 3 - Network Settings (Static)

In bridge network role, the gateway IP address also shows up in the static route table (covered in a later section).

3.1.2.1 Common Network Settings

In addition to addressing, there are several network settings that are commonly configured in bridge network role. These include spanning tree protocol and IP aliasing. A list and description of each is in Table 4.

Network Settings (Common)	Description
Spanning Tree Protocol (STP)	IEEE 802.1d protocol that works on bridged interfaces to find the shortest path between to stations. Also, detects and blocks loops by preventing the same hardware/MAC address from being accepted from a port that it has transmitted the same address from.

Table 4 - Network Settings (Common)

3.1.3 Router Role

Management IP packets are routed (Layer 3) between wired and wireless interfaces. Lower layer broadcast packets are dropped at each interface.

Below (Table 5) is a list of settings and descriptions that are specific to the wireless LAN (WLAN) interface when the device is configured in a router role.

**BTS TPWLR58B1
SYSTEM USER GUIDE**Version 1.1
Date 1 September 2015

Network Settings	Description
IP Address	IP address used for device management. It is accessible from both the wireless and wired LAN interfaces.
Netmask	Dotted decimal representation of 4 binary octets that determine which part of address is the network and that of the host (the mask). For example, 255.255.255.0 is the most common mask used.

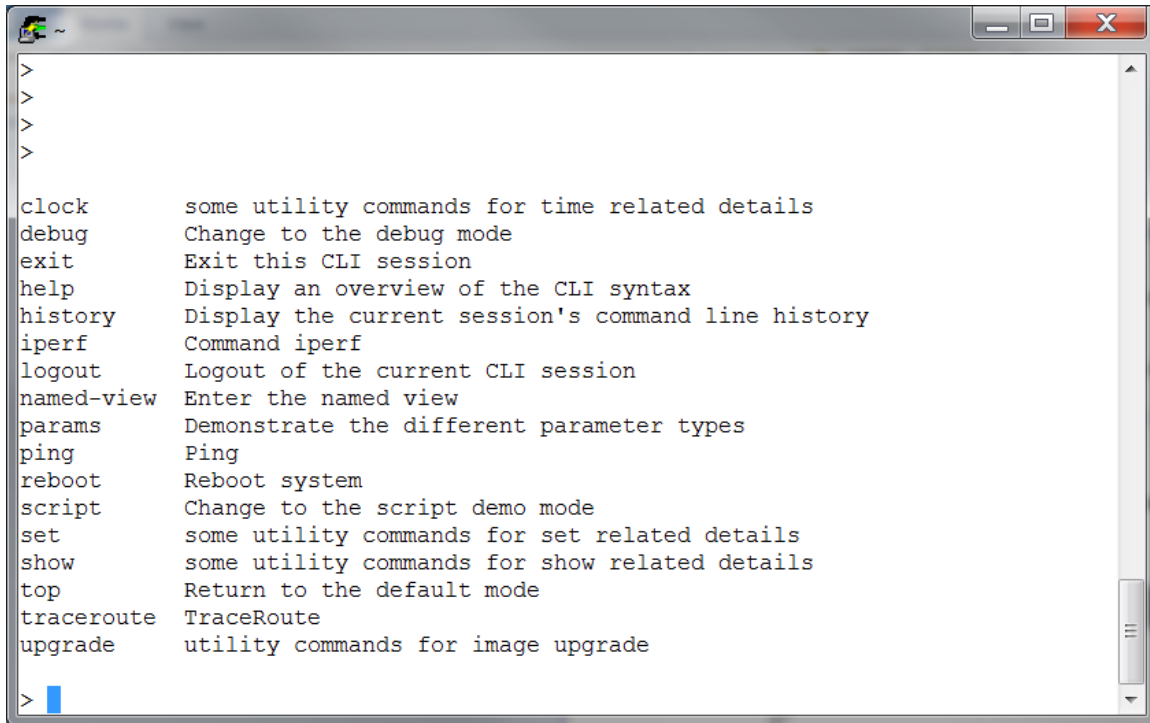
Table 5 - WLAN Network Settings**3.1.4 Static Routes**

In both routed and static network modes, static routes can be entered to provide entries to the gateway interfaces for the networks served by the network interfaces (ROUTED, or BRIDGED). In bridging mode, there should only be one gateway IP address to point to networks outside of the management IP network space. As a router, the gateway IP address points to the location that services the destination network.

3.1.5 Embedded CLI

The command line interface is a structured (hierarchical XML configuration) customer user interface. It is equipped with features that are typically found on carrier-class systems. This includes help, command completion, and option range/bounds checking. Similarly, the interface is serviced by a secure sockets shell server and is fully integrated with the Linux authentication subsystem.

Additionally, the CLI is equipped to support look up tables to allow the CLI to be customized to make commands easier to read- while maintaining the underlying software interface. Figure 6 shows some of the available root level commands.

**BTS TPWLR58B1
SYSTEM USER GUIDE**Version 1.1
Date 1 September 2015

```
>
>
>
>
clock          some utility commands for time related details
debug          Change to the debug mode
exit           Exit this CLI session
help           Display an overview of the CLI syntax
history        Display the current session's command line history
iperf          Command iperf
logout         Logout of the current CLI session
named-view    Enter the named view
params         Demonstrate the different parameter types
ping           Ping
reboot        Reboot system
script        Change to the script demo mode
set           some utility commands for set related details
show          some utility commands for show related details
top           Return to the default mode
traceroute    TraceRoute
upgrade       utility commands for image upgrade
>
```

Figure 6 - Embedded CLI

Basic level connectivity utilities are included such as support for IPerf and ping. The user can initiate help by pressing the 'TAB' key or by typing a '?' at any level of the command, including options.

3.1.5.1 Set

The 'set' command (from the top level) is the primary configuration command. It can be used to configure system, network, and radio parameters. Changes to the configuration are automatically saved to the flash. This has the potential to cause certain parameters to be out of sync as they only take effect at boot time. These parameters have a warning message displayed, as the information is committed. Alternatively, a transaction-based configuration system is available in the software package.

BTS TPWLR58B1
SYSTEM USER GUIDE

Version 1.1
Date 1 September 2015

APPENDIX A: Specifications

Base Station (BTS TPWLR58B1)

Dimensions	35" H x 20" W x 10" D
Weight (estimated)	BTS 68 lbs.; Mount Bracket 12 lbs.; PSU 5 lbs.
Ports	1 10/100/1000 Ethernet Port 1 Power Port 1 AUX Ethernet Port (Reserved) 1 GPS Antenna Port* (External coax; Reserved) 1 Grounding Lug 8 N-type RF Connectors (4 for Optional Ext. Antenna Array Panel; 4 Reserved for Future Use)
LED	1 Power
Radio Frequency Band	5.8 GHz
Power	48VDC, 90 Watts
Operating Temperature	-45C to 55C
Storage Temperature	-45C to 80C

*when configured

BTS TPWLR58B1
SYSTEM USER GUIDE

Version 1.1
Date 1 September 2015

APPENDIX B: FCC Interference Statement

Federal Communication Commission Interface Statement

This equipment has been tested and found to comply with the limits for a Class B digital device, pursuant to Part 15 of the FCC rules. These limits are designed to provide reasonable protection against harmful interference in a residential installation. This equipment generates, uses and can radiate radio frequency energy and, if not installed and used in accordance with the instructions, may cause harmful interference to radio communications. However, there is no guarantee that interference will not occur in a particular installation. If this equipment does cause harmful interference to radio or television reception, which can be determined by turning the equipment off and on, the user is encouraged to try to correct the interference by one of the following measures:

- Reorient or relocate the receiving antenna.
- Increase the separation between the equipment and the receiver.
- Connect the equipment into an outlet on a circuit different from that to which the receiver is connected.
- Consult the dealer or experience radio/TV technician for help.

FCC Caution: Any changes or modifications not expressly approved by the party responsible for compliance could void the user's authority to operate this equipment.

This device complies with Part 15 of the FCC Rules. Operation is subject to the following two conditions: (1) This device may not cause harmful interference, and (2) this device must accept any interference received, including interference that may cause undesired operation.

IMPORTANT NOTE: FCC Radiation Exposure Statement

This equipment complies with FCC radiation exposure limits set forth for an uncontrolled environment. This equipment should be installed and operated with a minimum distance of 20cm between the radiator and your body.

BTS TPWLR58B1
SYSTEM USER GUIDE

Version 1.1
Date 1 September 2015

APPENDIX C: IC Interference Statement

This device complies with Industry Canada license-exempt RSS standard(s). Operation is subject to the following two conditions:

1. This device may not cause harmful interference;
2. This device must accept any interference received, including interference that may cause undesired operation of the device.

Cet appareil est conforme à Industrie Canada une licence standard RSS exonérés (s). Son fonctionnement est soumis aux deux conditions suivantes:

1. Cet appareil ne doit pas provoquer d'interférences
2. Cet appareil doit accepter toute interférence reçue, y compris les interférences pouvant provoquer un fonctionnement indésirable de l'appareil.

APPENDIX D: Support/Contact Information

TruePath Wireless Support

TruePath Wireless Support Engineers are located in the U.S. and are dedicated to helping customers resolve issues as quickly as possible. Please email all issues and requests to:

Email: support@truepathwireless.com



2860 Zanker Way, Suite 210
San Jose, CA 95134
USA
© 2015 TruePath Wireless, LLC