



# SAR Test Report

**FOR:**  
**TZ Medical Inc.**

Model Name / Model #:  
**Clarus 40M / H40M**

Product Description:  
The Clarus Digital Holter Recorder is a cardiac monitoring device.

FCC ID: ZIMH40M  
IC ID: 9647A-H40M

Test Report #: TZMED-012-16001-FCC-SAR

Date of Report: May 18, 2017



A2LA Accredited  
FCC Recognized

IC Recognized #  
3462B-1

**CETECOM Inc.**

411 Dixon Landing Road • Milpitas, CA 95035 • U.S.A.

Phone: + 1 (408) 586 6200 • Fax: + 1 (408) 586 6299 • E-mail: [info@cetecom.com](mailto:info@cetecom.com) • <http://www.cetecom.com>

CETECOM Inc. is a Delaware Corporation with Corporation number: 2905571

**TABLE OF CONTENTS**

**1. Assessment ..... 4**

**2. Administrative Data ..... 5**

    2.1. Identification of the Testing Laboratory Issuing the SAR Test Report ..... 5

    2.2. Identification of the Client and Manufacturer ..... 5

**3. Equipment under Test (EUT) ..... 6**

    3.1. General Specification of the Equipment under Test ..... 6

    3.2. Antenna Information ..... 6

    3.3. Identification of the Equipment Under Test (EUT) ..... 7

    3.4. Identification of Accessory equipment ..... 7

    3.5. Maximum SAR values ..... 7

    3.6. Miscellaneous EUT Information: ..... 7

**4. Subject of Investigation ..... 8**

    4.1. The IEEE Standard C95.1, FCC Exposure Criteria, and IC Exposure Criteria ..... 8

    4.2. SAR Limit ..... 8

**5. Measurement Procedure ..... 9**

    5.1. General Requirements ..... 9

    5.2. Body-worn and Other Configurations ..... 9

    5.3. System Check ..... 10

    5.4. Procedure for assessing the peak spatial-average SAR ..... 11

    5.5. Determination of the largest peak spatial-average SAR ..... 13

    5.6. SAR Scaling Using the Tune-Up Scaling Factor ..... 13

**6. The Measurement System ..... 14**

    6.1. Robot system specification ..... 14

    6.2. Isotropic E-Field Probe for Dosimetric Measurements ..... 14

    6.3. Data Acquisition Electronics ..... 14

    6.4. Phantoms ..... 15

    6.5. Interpolation and Extrapolation schemes ..... 15

**7. Uncertainty Assessment ..... 16**

    7.1. Measurement Uncertainty Budget According to IEEE 1528:2013 ..... 16

    7.2. Measurement Uncertainty Budget According to EN 62209-2 ..... 17

**8. Test results summary ..... 18**

8.1. Measured Conducted Average Output Power ..... 18  
8.2. Stand-Alone SAR Evaluation Exclusion..... 21  
8.3. Test Positions and Configurations ..... 21  
8.4. SAR Results for Body ..... 22  
8.5. SAR Results for Body Extremity ..... 23  
8.6. SAR Measurement Variability ..... 23  
8.7. Dipole verification ..... 24

9. References ..... 25

10. Report History..... 26

**Appendices:**

**Appendix A – Plots**

**Appendix B – Antenna location, Test Setup Photos**

**Appendix C – Tissue liquid parameters, Equipment list**

**1. Assessment**

The following device was evaluated against the limits for general population uncontrolled exposure specified in FCC 2.1093 and RSS 102, Issue 5 according to measurement procedures specified in FCC regulation as listed in chapter 5, IEEE 1528:2013 and IEC 62209-2:2010 and no deviations were ascertained during the course of the tests performed.

| Manufacturer | Description  | Model # |
|--------------|--|---------|
| TZ Medical   | The Clarus Digital Holter Recorder is a cardiac monitoring device. | H40M    |

**Responsible for Testing Laboratory:**

| May 18, 2017 | Compliance | Peter Nevermann<br>(Director RC&E) |           |
|--------------|------------|------------------------------------|-----------|
| Date         | Section    | Name                               | Signature |

**Responsible for the Report:**

| May 18, 2017 | Compliance | James Donnellan<br>(Sr. EMC Engineer) |           |
|--------------|------------|---------------------------------------|-----------|
| Date         | Section    | Name                                  | Signature |

The test results of this test report relate exclusively to the test item specified in Section 3. CETECOM Inc. USA does not assume responsibility for any conclusions and generalizations drawn from the test results with regard to other specimens or samples of the type of the equipment represented by the test item. The test report may only be reproduced or published in full. Reproduction or publication of extracts from the report requires the prior written approval of CETECOM Inc. USA.

## 2. Administrative Data

### 2.1. Identification of the Testing Laboratory Issuing the SAR Test Report

|                                       |  |
|---------------------------------------|--|
| <b>Company Name</b>                   | CETECOM Inc.   |
| <b>Department</b>                     | Compliance   |
| <b>Address</b>                        | 411 Dixon Landing Road<br>Milpitas, CA 95035<br>U.S.A. |
| <b>Telephone</b>                      | +1 (408) 586 6200                                      |
| <b>Fax</b>                            | +1 (408) 586 6299                                      |
| <b>Industry Canada Company Number</b> | 3462B  |
| <b>Director RC&amp;E</b>              | Peter Nevermann  |
| <b>Responsible Project Manager</b>    | Ruther Navarro   |

### 2.2. Identification of the Client and Manufacturer

|                       | <b>Client</b>                       | <b>Manufacturer</b>                 |
|-----------------------|-------------------------------------|-------------------------------------|
| <b>Company</b>        | TZ Medical Inc.                     | TZ Medical Inc.                     |
| <b>Street Address</b> | 17750 SW Upper Boones Ferry Rd #150 | 17750 SW Upper Boones Ferry Rd #150 |
| <b>City/Zip Code</b>  | Portland, OR 97224                  | Portland, OR 97224                  |
| <b>Country</b>        | USA                                 | USA                                 |

**3. Equipment under Test (EUT)****3.1. General Specification of the Equipment under Test**

|   |   |
|---|---|
| <b>Model # &amp; HVIN:</b>                            | ZIMH40M   |
| <b>Model/Marketing Name &amp; PMN<sup>1</sup>:</b>    | Clarus 40M  |
| <b>FCC ID:</b>  | ZIMH40M   |
| <b>IC Certification Number:</b>                       | 9647A-H40M  |
| <b>Firmware Version Identification Number (FVIN):</b> | 03.001  |
| <b>HW Version</b>                                     | 1.000   |
| <b>SW Version</b>                                     | 1.0   |
| <b>Host Marketing Name (HMN):</b>                     | N/A   |
| <b>Product Type:</b>                                  | Wearable (cardiac monitoring device.)   |
| <b>Prototype/Production:</b>                          | Production  |
| <b>RF Exposure Environment:</b>                       | General / Uncontrolled  |
| <b>Dimensions:</b>                                    | 60 x 99.2 x 20.6 mm   |
| <b>Exposure Conditions:</b>                           | Body worn (Used Near Body)  |
| <b>Supported Radios:</b>                              | Gemalto PDS5-US with FCC-ID QIPPDS5-US and supports<br>GSM 850 / 1900 FDD II / V<br>HSDPA Cat.8 / HSUPA Cat.6 data rates<br>DL: max. 7.2 Mbps, UL: max. 5.76 Mbps<br>EDGE Class 12 data rates<br>GPRS Class 12 data rates |
| <b>Additional Radios:</b>                             | N/A   |
| <b>Operating Frequency Ranges (MHz)</b>               | UMTS FDD II 1850 -1910 MHz<br>UMTS FDDV 824 – 849 MHz<br>GSM 850 824.2 – 848.8 MHz<br>GSM 1900 1850.2 – 1909.8 MHz  |
| <b>Power Back-Off Modes:</b>                          | N/A   |
| <b>Simultaneous Transmission Configurations:</b>      | No simultaneous Transmission  |
| <b>Date of Testing:</b>                               | 2017-2-2 - 2017-4-3   |

**3.2. Antenna Information**

| Antenna | Type                  | Internal / External | Frequency (MHz) | Manufacturer Stated Max Peak Gain (dBi) |
|---------|-----------------------|---------------------|-----------------|---|
| 1       | Chip (Taoglas PA.26A) | Internal            | 850 / 1900      | -1.3 dBi / -2.99 dBi                    |

### 3.3. Identification of the Equipment Under Test (EUT)

| EUT # | Serial Number | HW Version | SW Version |                  |
|-------|---------------|------------|------------|------------------|
| 1     | H3R4002014    | 1.000      | 1.0        | Radiated Sample  |
| 2     | H3R4002012    | 1.000      | 1.0        | Conducted Sample |

### 3.4. Identification of Accessory equipment

| AE # | Type  | Manufacturer | Model | Serial Number | Comments                                       |
|------|---|--------------|-------|---------------|--|
| 1    | 4-electrode patient cable, 5-electrode patient cable, | TZ Medical   | N/A   | -             | 4-electrode patient cable was used for testing |
| 2    | Plastic holster                                       | TZ Medical   | N/A   | -             | Device is worn with holster                    |
| 3    | ac/dc adapter   | -            | -     | -             | To Charge the unit as needed                   |
| 4    | USB data/charging cable                               | -            | -     | -             | To Charge the unit as needed                   |

### 3.5. Maximum SAR values

| Equipment Class | Exposure Condition  | Measured 1g SAR (W/kg) | Maximum Reported 10g SAR <sup>2</sup> (W/kg) |
|-----------------|---------------------|------------------------|--|
| PCT             | Body-Worn Accessory | 0.71                   | 1.06   |

NOTES:

1. Measured 1g SAR scaled to manufacturer stated output power upper tolerance limit

| Equipment Class | Exposure Condition               | Measured 10g SAR (W/kg) | Maximum Reported 10g SAR <sup>1</sup> (W/kg) |
|-----------------|----------------------------------|-------------------------|--|
| PCT             | Body Extremity (Touch with hand) | 0.88                    | 1.12   |

NOTES:

1. Measured 10g SAR scaled to manufacturer stated output power upper tolerance limit.

### 3.6. Miscellaneous EUT Information:

The EUT used for SAR was placed in its required holder and was facing the flat of the phantom to represent how it would be used. As a worst case the back bottom and top sides of the unit were tested for body SAR as the bottom and top as well as the back of the unit could come in close contact to the body especially is one were in a sitting position. The front and sides as the device is worn were assessed for limb access as one could inadvertently have a hand on or near the device while resting.

**4. Subject of Investigation**

The objective of the measurements done by CETECOM Inc. was the dosimetric assessment of the EUT described in section 3. The tests were performed in configurations for devices operated next to a person’s body. The examinations were carried out with the dosimetric assessment system DASYS2 described in Section 6.

**4.1. The IEEE Standard C95.1, FCC Exposure Criteria, and IC Exposure Criteria**

The FCC limits are set by CFR 47 FCC rule parts 1.1307 and 2.1093. The IC limits are set by RSS 102, Issue 5. The limits are derived from the recommendations in IEEE C95.1-1999 (ANSI/IEEE C95.1-1999), “IEEE Standard for Safety Levels with Respect to Human Exposure to Radio Frequency Electromagnetic Fields, 3 kHz to 300 GHz.”

**4.2. SAR Limit**

In this report the comparison between the exposure limits and the SAR data is made using the spatial peak SAR.

Having in mind a worst case consideration, the SAR limit is valid for uncontrolled environment and portable transmitters. The SAR values have to be averaged over a mass of 1g (SAR1g) and 10g (SAR10g) with the shape of a cube.

| Standard                                 | Exposure Condition             | Average SAR (W/kg) | Mass Average (g) |
|--|--------------------------------|--------------------|------------------|
| FCC CFR 47 Part 2.1093 (d)(2)            | Partial-Body                   | 1.6                | 1                |
| FCC CFR 47 Part 2.1093 (d)(2)            | Hands, Wrists, Feet and Ankles | 4.0                | 10               |
| RSS 102, Issue 5<br>Safety Code 6 (2015) | Localized Head and Trunk       | 1.6                | 1                |
| RSS 102, Issue 5<br>Safety Code 6 (2015) | Localized Limbs                | 4.0                | 10               |



## 5. Measurement Procedure

The Federal Communications Commission (FCC) requires routine dosimetric assessment of mobile telecom-communications devices, either by laboratory measurement techniques or by computational modeling, prior to equipment authorization or use. The measurement procedure shall be performed according to IEEE 1528:2013. The following KDB publications have additionally been applied:

447498 D01 v06 – General RF Exposure Guidance  
865664 D01 v01r04 – SAR measurement 100 MHz to 6 GHz  
941225 D05A V01R02 LTE Rel. 10 KDB Inquiry Sheet  
248227 D01 V02R02 – SAR Measurement Procedures for 802.11 a/b/g Transmitters

Industry Canada (IC) requirements and measurement techniques regarding RF exposure are described in RSS-102, Issue 5, which refers to the latest version of IEEE 1528 and IEC 62209. IC follows many of the same procedures as applied for compliance with FCC requirements regarding EUT specific technologies and form factors. IC allows the use of the above listed KDBs in most aspects as described in IC Notice 2012-DRS1203 regarding Applicability of Latest FCC RF Exposure KDB Procedures (Publication Date: October 24, 2012) and Other Procedures.

### 5.1. General Requirements

SAR evaluation was performed in a laboratory with an environment which avoids influence on SAR measurements by ambient EM sources and any reflection from the environment itself. The ambient temperature was in the range of 18°C to 25°C and 30-70% humidity. Simulating liquid temperature did not deviate more than 2°C throughout SAR evaluation.

### 5.2. Body-worn and Other Configurations

#### **Test Position**

The body-worn configurations shall be tested with the supplied accessories (belt-clips, holsters, etc.) attached to the device in normal use configuration. Devices with a headset output shall be tested with a connected headset.

#### **Test to be Performed**

For purpose of determining test requirements, accessories may be divided into two categories: those that do not contain metallic components and those that do. For multiple accessories that do not contain metallic components, the device may be tested only with that accessory which provides the closest spacing to the body. For multiple accessories that contain metallic components, the device must be tested with each accessory that contains a unique metallic component. If multiple accessories share an identical metallic component, only the accessory that provides the closest spacing to the body must be tested. If the manufacturer provides none body-worn accessories a separation distance of 1.5 cm between the back of the device and the flat phantom is recommended. Other separation distances may be used, but they shall not exceed 2.5 cm. In these cases, the device may use body-worn accessories that provide a separation distance greater than that tested for the device provided however that the accessory contains no metallic components.

For devices with retractable antenna the SAR test shall be performed with the antenna fully extended and fully retracted. Other factors that may affect the exposure shall also be tested. For example, optional antennas or optional battery packs which may significantly change the volume, lengths, flip open/closed, etc. of the device, or any other accessories which might have the potential to considerably increase the peak spatial-average SAR value.

### 5.3. System Check

The purpose of the system check is to verify that the system operates within its specifications. System check is performed within 24 hours prior to compliance testing for each liquid type and frequency band. The system check result is verified to be within  $\pm 10\%$  of the reference dipole source as measured during calibration of the dipole.

#### Phantom Set-Up

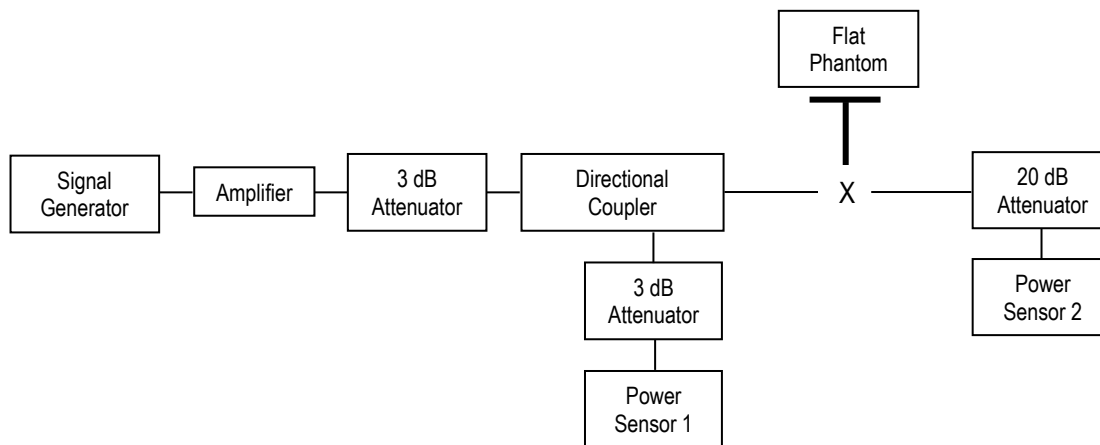
A flat phantom is used with the same tissue-equivalent liquid that will be used during compliance testing. The dipole feed point is placed at the center of the flat phantom and the dipole arms are aligned with the major axis.

#### Standard Source

A reference dipole source is used to irradiate the phantom. The dipole is placed under the bottom of the phantom and centred with its axis parallel to the longest dimension of the phantom. A low loss spacer is used to establish the correct distance between the top surface of the dipole and the bottom surface of the phantom. For frequencies below 1 GHz, a spacing of 15 mm is used. For frequencies above 1 GHz, a spacing of 10 mm is used. The dipole has a return loss of less than -20 dB at the resonant frequency.

#### System Check Procedure

The test set-up is as follows:



1. The cable at the output of the directional coupler is connected to the 20 dB attenuator.
2. The signal generator is adjusted until the desired input power to the dipole is measured at power sensor 2. The forward power of the directional coupler is measured with power sensor 1 and noted for step 4.
3. The cable at the output of the directional coupler is connected to the dipole source.
4. The signal generator is adjusted until power sensor 1 measures the same power as in step 2.
5. A SAR measurement is performed with the dipole source radiating.
6. During the system check test, the power measured by power sensor 1 is monitored to ensure the power does not drift.
7. At the conclusion of the SAR measurement, the SAR result is normalized to a dipole input power of 1 W and compared to the 1 W reference SAR value in the dipole calibration report. The difference between the measured SAR and the reference SAR is verified to be within  $\pm 10\%$ .

#### 5.4. Procedure for assessing the peak spatial-average SAR

##### Step 1: Power reference measurement:

Prior to the SAR test, a local SAR measurement should be taken at a user-selected spatial reference point to monitor power variations during testing.

##### Step 2: Area scan

The measurement procedures for evaluating SAR associated with wireless handsets typically start with a coarse measurement grid in order to determine the approximate location of the local peak SAR values. This is referred to as the "area scan" procedure. The SAR distribution is scanned along the inside surface of typically half of the head of the phantom but at least larger than the areas projected (normal to the phantom's surface) by the handset and antenna. An example grid is given in Figure 4. The distance between the measured points and phantom surface should be less than 8 mm, and should remain constant (variation less than  $\pm 1$  mm) during the entire scan in order to determine the locations of the local peak SAR with sufficient precision. The distance between the measurement points should enable the detection of the location of local maximum with an accuracy of better than half the linear dimension of the tissue cube after interpolation. The approximate locations of the peak SARs should be determined from area scan. Since a given amplitude local peak with steep gradients may produce lower spatial-average SAR than slightly lower amplitude peaks with less steep gradients, it is necessary to evaluate the other peaks as well. However, since the spatial gradients of local SAR peaks are a function of wavelength inside the tissue simulating liquid and incident magnetic field strength, it is not necessary to evaluate peaks that are less than -2dB of the local maximum. Two-dimensional spline algorithms [Press, et al, 1996], [Brishoual, 2001] are typically used to determine the peaks and gradients within the scanned area. If the peak is closer than one-half of the linear dimension of the 1 g or 10 g tissue cube to the scan border, the measurement area should be enlarged if possible, e.g., by tilting the probe or the phantom (see Figure 5).

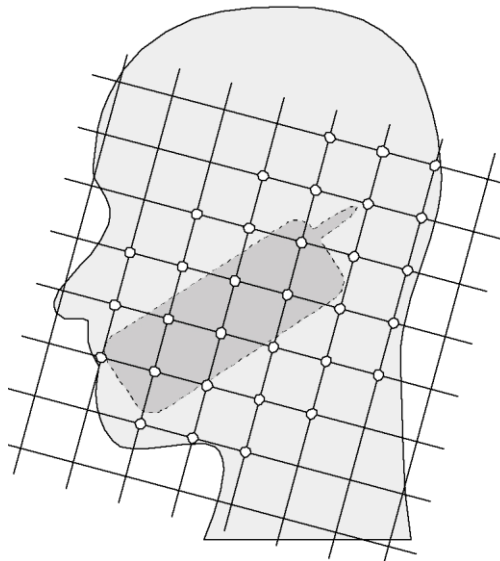


Figure 4 – Example of an area scan including the position of the handset. The scanned area (white dots) should be larger than the area projected by the handset and antenna.

The SPEAG DASY SAR system uses a mechanical sensor detection to find the phantom surface. To decrease test time, the DASY software allows the operator to choose an option where the SAR probe will reuse measurement locations from a previous identical area scan. With this option enabled, the DASY system will not use mechanical sensor detection to find the phantom surface. Locations of each measurement point of the area scan is taken at the same locations as an identical area scan if one is available. Area scans that reused location of measurement points is noted in the result plots under DASY Configuration > Sensor-Surface.

**Step 3: Zoom scan**

In order to assess the peak spatial SAR values averaged over a 1 g and 10 g cube, fine resolution volume scans, called "zoom scans", are performed at the peak SAR locations determined during the "area scan." The zoom scan volume should have at least 1.5 times the linear dimension of either a 1 g or a 10 g tissue cube for whichever peak spatial-average SAR is being evaluated. The peak local SAR locations that were determined in the area scan (interpolated value) should be on the centerline of the zoom scans. The centerline is the line that is normal to the surface and in the center of the volume scan. If this is not possible, the zoom scan can be shifted but not by more than half the dimension of the 1 g or a 10 g tissue cube.

The maximum spatial-average SAR is determined by a numerical analysis of the SAR values obtained in the volume of the zoom scan, whereby interpolation (between measured points) and extrapolation (between surface and closest measured points) routines should be applied. A 3-D-spline algorithm [Press, et al, 1996], [Kreyszig, 1983], [Brishoual, 2001] can be used for interpolation and a trapezoidal algorithm for the integration (averaging). Scan resolutions of larger than 2 mm can be used provided the uncertainty is evaluated according to E (see E.5).

In some areas of the phantom, such as the jaw and upper head region, the angle of the probe with respect to the line normal to the surface might become large, e.g., at angles larger than  $\pm 30^\circ$  (see Figure 5), which may increase the boundary effect to an unacceptable level. In these cases, a change in the orientation of the probe and/or the phantom is recommended during the zoom scan so that the angle between the probe housing tube and the line normal to the surface is significantly reduced ( $<30^\circ$ ).

**Step 4: Power reference measurement**

The local SAR should be measured at exactly the same location as in Step 1. The absolute value of the measurement drift (the difference between the SAR measured in Step 4 and Step 1) should be recorded in the uncertainty budget. It is recommended that the drift be kept within  $\pm 5\%$ . If this is not possible, even with repeat testing, additional information may be used to demonstrate the power stability during the test. Power reference measurements can be taken after each zoom scan, if more than one zoom scan is needed. However, the drift should always be referred to the initial state with fully charged battery.

**5.5. Determination of the largest peak spatial-average SAR**

In order to determine the largest value of the peak spatial-average SAR of a handset, all device positions, configurations and operational modes should be tested for each frequency band according to steps 1 to 3 below.

**Step 1:** The tests of 6.4 should be conducted at the channel that is closest to the center of the transmit frequency band (*f<sub>c</sub>*) for:

- a) all device positions (cheek and tilt, for both left and right sides of the SAM phantom,
- b) all configurations for each device position in (a), e.g. antenna extended and retracted, and
- c) all operational modes for each device position in (a) and configuration in (b) in each frequency band, e.g. analog and digital.

If more than three frequencies need to be tested, (i.e., *N<sub>c</sub>* > 3), then all frequencies, configurations and modes must be tested for all of the above positions.

**Step 2:** For the condition providing highest spatial peak SAR determined in Step 1 conduct all tests of 6.4 at all other test frequencies, e.g. lowest and highest frequencies. In addition, for all other conditions (device position, configuration and operational mode) where the spatial peak SAR value determined in Step 1 is within 3dB of the applicable SAR limit, it is recommended that all other test frequencies should be tested as well.

**Step 3:** Examine all data to determine the largest value of the peak spatial-average SAR found in Steps 1 to 2.

**5.6. SAR Scaling Using the Tune-Up Scaling Factor**

Conducted output power is tested to check if the EUT is transmitting at the maximum power allowed according to the declared maximum power including tune-up power tolerances. When the conducted output power is less than the maximum output power including tolerance, the measured SAR values are scaled up to the maximum output power including tolerance to ensure all production units are within SAR limits.

The tune-up power scaling factor is a multiplicative factor. The tune-up power scaling factor is calculated as:

$$10^{[(\text{Maximum Output Power Including Tolerance} - \text{Measured Conducted Output Power}) / 10]}$$

Where

Maximum Output Power Including Tolerance: dBm

Measured Conducted Output Power: dBm

Example SAR scaling calculation:

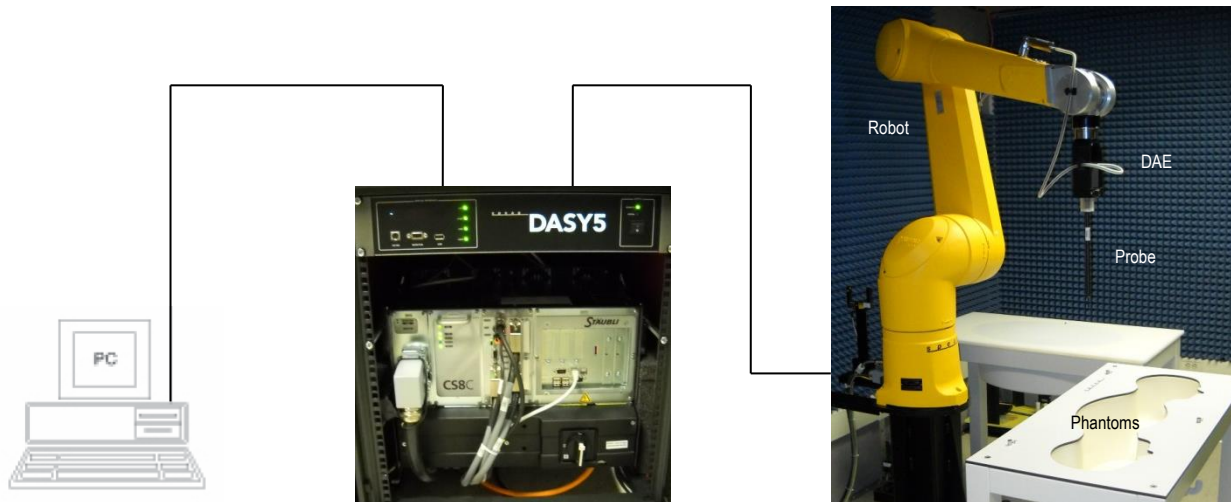
| Measured Conducted Output Power (dBm) | Maximum Output Power Including Tolerance (dBm) | Tune-Up Power Scaling Factor | Measured 1g SAR (W/kg) | Scaled/Reported SAR value (W/kg) |
|---------------------------------------|--|------------------------------|------------------------|----------------------------------|
| 32.0                                  | 32.5   | 1.12                         | 1.0                    | 1.12                             |

## 6. The Measurement System

### 6.1. Robot system specification

The SAR measurement system being used is the SPEAG DASY52 system, which consists of a Stäubli TX90XL 6-axis robot arm and CS8c controller, SPEAG SAR Probe, Data Acquisition Electronics, and SAM Twin Phantom. The robot is used to articulate the probe to programmed positions inside the phantom to obtain the SAR readings from the EUT.

The system is controlled remotely from a PC, which contains the software to control the robot and data acquisition equipment. The software also displays the data obtained from test scans.



Schematic diagram of the SAR measurement system

In operation, the system first does an area (2D) scan at a fixed depth within the liquid from the inside wall of the phantom. When the maximum SAR point has been found, the system will then carry out a 3D scan centered at that point to determine volume averaged SAR level.

### 6.2. Isotropic E-Field Probe for Dosimetric Measurements

The probes are constructed using three orthogonal dipole sensors arranged on an interlocking, triangular prism core. The probes have built-in shielding against static charges and are contained within a PEEK cylindrical enclosure material at the tip. Probe calibration is described in the probe's calibration certificate.

### 6.3. Data Acquisition Electronics

The DAE contains a signal amplifier, multiplexer, 16bit A/D converter and control logic. It uses an optical link for communication with the DASY5 system. The DAE has a dynamic range of -100 to 300 mV. It also contains a two step probe touch detector for mechanical surface detection and emergency robot stop.

#### 6.4. Phantoms

The Twin SAM V4.0 Phantom is designed to specifications defined in IEEE 1528 and IEC/EN 62209-1. It enables the dosimetric evaluation of left and right hand phone usage as well as body mounted usage at the flat phantom region. The material shell thickness is 2mm +/- 0.2 mm at the flat section and 6mm +/- 0.2 mm at the ear reference point. The relative permittivity is 3.5 +/- 0.5 and the loss tangent is  $\leq 0.05$  for frequencies  $\leq 6$  GHz.

Additionally, the Oval Flat ELI V4.0 Phantom is designed to specification defined in IEEE 1528 and IEC/EN 62209-2. It enables the dosimetric evaluation of body mounted usage. The material thickness is 2mm +/- 0.2 mm. For frequencies  $\leq 6$  GHz, the relative permittivity is 4 +/- 1 and the loss tangent is  $\leq 0.05$ . The bottom plate is 600 x 400 mm elliptical shape with a depth of 190 mm.

#### 6.5. Interpolation and Extrapolation schemes

The interpolation, extrapolation and maximum search routines are all based on the modified Quadratic Shepard's method. The interpolation scheme combines a least-square fitted function method and a weighted average method which are the two basic types of computational interpolation and approximation. The routines construct a once-continuously differentiable function that interpolates the measurement values.

## 7. Uncertainty Assessment

The uncertainty budget is included as required by Industry Canada RSS-102.

### 7.1. Measurement Uncertainty Budget According to IEEE 1528:2013

The uncertainty values for components specified were evaluated according to the procedures of *IEEE 1528-2013*, *NIST 1297 1994 edition* and *ISO Guide to the Expression of Uncertainty in Measurements (GUM)*.

| a   | b     | c           | d              | e =<br>f(d,k) | f                       | g                        | h =<br>c x f / e          | i =<br>c x f / e           | k              |
|---|-------|-------------|----------------|---------------|-------------------------|--------------------------|---------------------------|----------------------------|----------------|
| Uncertainty<br>Component  | Sec.  | Tol.<br>(%) | Prob.<br>Dist. | Div.          | c <sub>i</sub><br>(1-g) | c <sub>i</sub><br>(10-g) | 1-g<br>u <sub>i</sub> (%) | 10-g<br>u <sub>i</sub> (%) | v <sub>i</sub> |
| <b>Measurement System</b>   |       |             |                |               |                         |                          |                           |                            |                |
| Probe Calibration   | E2.1  | 6.55        | N              | 1             | 1                       | 1                        | 6.55                      | 6.55                       | ∞              |
| Axial Isotropy  | E2.2  | 4.7         | R              | √3            | 0.7                     | 0.7                      | 1.9                       | 1.9                        | ∞              |
| Hemispherical Isotropy  | E2.2  | 9.6         | R              | √3            | 0.7                     | 0.7                      | 3.9                       | 3.9                        | ∞              |
| Boundary Effect   | E2.3  | 2           | R              | √3            | 1                       | 1                        | 1.2                       | 1.2                        | ∞              |
| Linearity   | E2.4  | 4.7         | R              | √3            | 1                       | 1                        | 2.7                       | 2.7                        | ∞              |
| System Detection Limits   | E2.4  | 1           | R              | √3            | 1                       | 1                        | 0.6                       | 0.6                        | ∞              |
| Probe Modulation Response   | E2.5  | 2.4         | R              | √3            | 1                       | 1                        | 1.4                       | 1.4                        | ∞              |
| Readout Electronics   | E2.6  | 0.3         | N              | 1             | 1                       | 1                        | 0.3                       | 0.3                        | ∞              |
| Response Time   | E2.7  | 0.8         | R              | √3            | 1                       | 1                        | 0.5                       | 0.5                        | ∞              |
| Integration Time  | E2.8  | 2.6         | R              | √3            | 1                       | 1                        | 1.5                       | 1.5                        | ∞              |
| RF Ambient Noise  | E6.1  | 3           | R              | √3            | 1                       | 1                        | 1.7                       | 1.7                        | ∞              |
| RF Ambient Reflections  | E6.1  | 3           | R              | √3            | 1                       | 1                        | 1.7                       | 1.7                        | ∞              |
| Probe Positioner Mechanical Tolerance   | E6.2  | 0.8         | R              | √3            | 1                       | 1                        | 0.5                       | 0.5                        | ∞              |
| Probe Positioning with respect to Phantom Shell                                 | E6.3  | 6.7         | R              | √3            | 1                       | 1                        | 3.9                       | 3.9                        | ∞              |
| Extrapolation, interpolation and Integration Algorithms for Max. SAR Evaluation | E5.2  | 4           | R              | √3            | 1                       | 1                        | 2.3                       | 2.3                        | ∞              |
| <b>Test sample Related</b>  |       |             |                |               |                         |                          |                           |                            |                |
| Test Sample Positioning   | E4.2  | 2.9         | N              | 1             | 1                       | 1                        | 2.9                       | 2.9                        | 145            |
| Device Holder Uncertainty   | E4.1  | 3.6         | N              | 1             | 1                       | 1                        | 3.6                       | 3.6                        | 5              |
| Output Power Variation - SAR drift measurement                                  | E2.9  | 5           | R              | √3            | 1                       | 1                        | 2.9                       | 2.9                        | ∞              |
| SAR Power Scaling   | E.6.5 | 0           | R              | √3            | 1                       | 1                        | 0.0                       | 0.0                        | ∞              |
| <b>Phantom and Tissue Parameters</b>  |       |             |                |               |                         |                          |                           |                            |                |
| Phantom Uncertainty (shape and thickness tolerances)                            | E3.1  | 6.6         | R              | √3            | 1                       | 1                        | 3.8                       | 3.8                        | ∞              |
| Uncertainty in SAR Correction   | E.3.2 | 1.9         | R              | √3            | 1                       | 0.84                     | 1.9                       | 1.6                        | ∞              |
| Liquid Conductivity Target - tolerance  | E3.3  | 2.5         | R              | √3            | 0.78                    | 0.71                     | 2.0                       | 1.8                        | ∞              |
| Liquid Permittivity Target tolerance  | E3.3  | 2.5         | R              | √3            | 0.26                    | 0.26                     | 0.7                       | 0.7                        | ∞              |
| Liquid Conductivity - Temp uncertainty  | E3.4  | 3.4         | N              | √3            | 0.78                    | 0.71                     | 2.7                       | 2.4                        | ∞              |
| Liquid Permittivity - Temp uncertainty  | E3.4  | 0.4         | N              | √3            | 0.23                    | 0.26                     | 0.1                       | 0.1                        | ∞              |
| <b>Combined Standard Uncertainty</b>  |       |             | RSS            |               |                         |                          | <b>12.7</b>               | 12.6                       | 748            |
| <b>Expanded Uncertainty</b><br>(95% CONFIDENCE INTERVAL)                        |       |             | k= 2.00705     |               |                         |                          | <b>25.4</b>               | 25.2                       |                |



## 7.2. Measurement Uncertainty Budget According to EN 62209-2

A measurement uncertainty assessment has been undertaken following guidance given in IEC/EN-62209-2. Some of the uncertainty contributions are site-specific and, for these, CETECOM, Inc. has assessed the uncertainty contributions arising from local environmental and procedural factors. The resultant uncertainty budget, following the assessment template given IEC/EN-62209-2 is shown below:

| Uncertainty Component  | Sec.      | Tol. (± %) | Prob. Dist. | Div. | $c_i$ (1-g) | $c_i$ (10-g) | 1-g $u_i$ (±%) | 10-g $u_i$ (±%) | $v_i$ |
|--|-----------|------------|-------------|------|-------------|--------------|----------------|-----------------|-------|
| <b>Measurement System</b>  |           |            |             |      |             |              |                |                 |       |
| Probe Calibration  | 7.2.2.1   | 6.55       | N           | 1    | 1           | 1            | 6.55           | 6.55            | ∞     |
| Axial Isotropy   | 7.2.2.2   | 4.7        | R           | √3   | 0.7         | 0.7          | 1.9            | 1.9             | ∞     |
| Hemispherical Isotropy   | 7.2.2.2   | 9.6        | R           | √3   | 0.7         | 0.7          | 3.9            | 3.9             | ∞     |
| Boundary Effect  | 7.2.2.6   | 2.0        | R           | √3   | 1           | 1            | 1.2            | 1.2             | ∞     |
| Linearity  | 7.2.2.3   | 4.7        | R           | √3   | 1           | 1            | 2.7            | 2.7             | ∞     |
| Probe Modulation Response  | 7.2.2.4   | 2.4        | R           | √3   | 1           | 1            | 1.4            | 1.4             | ∞     |
| System Detection Limits  | 7.2.2.5   | 1.0        | R           | √3   | 1           | 1            | 0.6            | 0.6             | ∞     |
| Readout Electronics  | 7.2.2.7   | 0.3        | N           | 1    | 1           | 1            | 0.3            | 0.3             | ∞     |
| Response Time  | 7.2.2.8   | 0.8        | R           | √3   | 1           | 1            | 0.5            | 0.5             | ∞     |
| Integration Time   | 7.2.2.9   | 2.6        | R           | √3   | 1           | 1            | 1.5            | 1.5             | ∞     |
| RF Ambient Noise   | 7.2.4.5   | 3.0        | R           | √3   | 1           | 1            | 1.7            | 1.7             | ∞     |
| RF Ambient Reflections   | 7.2.4.5   | 3.0        | R           | √3   | 1           | 1            | 1.7            | 1.7             | ∞     |
| Probe Positioner Mechanical Tolerance  | 7.2.3.1   | 0.8        | R           | √3   | 1           | 1            | 0.5            | 0.5             | ∞     |
| Probe Positioning with respect to Phantom Shell                              | 7.2.3.3   | 6.7        | R           | √3   | 1           | 1            | 3.9            | 3.9             | ∞     |
| Post Processing  | 7.2.5     | 4.0        | R           | √3   | 1           | 1            | 2.3            | 2.3             | ∞     |
| <b>Test sample Related</b>   |           |            |             |      |             |              |                |                 |       |
| Test Sample Positioning  | 7.2.3.4.3 | 2.9        | N           | 1    | 1           | 1            | 2.9            | 2.9             | 145   |
| Device Holder Uncertainty  | 7.2.3.4.2 | 3.6        | N           | 1    | 1           | 1            | 3.6            | 3.6             | 5     |
| Power Scaling  | L.3       | 0          | R           | √3   | 1           | 1            | 0.0            | 0.0             | ∞     |
| Output Power Variation - SAR drift measurement                               | 7.2.2.10  | 5.0        | R           | √3   | 1           | 1            | 2.9            | 2.9             | ∞     |
| <b>Phantom and Tissue Parameters</b>   |           |            |             |      |             |              |                |                 |       |
| Phantom Uncertainty (shape and thickness tolerances)                         | 7.2.3.2   | 7.9        | R           | √3   | 1           | 1            | 4.6            | 4.6             | ∞     |
| Algorithm for correcting SAR for deviations in permittivity and conductivity | 7.2.4.3   | 1.9        | R           | √3   | 1           | 0.84         | 1.1            | 0.9             | ∞     |
| Liquid Conductivity - measurement uncertainty                                | 7.2.4.3   | 2.5        | R           | √3   | 0.78        | 0.71         | 1.1            | 1.0             | ∞     |
| Liquid Permittivity - measurement uncertainty                                | 7.2.4.3   | 2.5        | R           | √3   | 0.26        | 0.26         | 0.3            | 0.4             | ∞     |
| Temperature Uncertainty – Conductivity                                       | 7.2.4.4   | 3.4        | R           | √3   | 0.78        | 0.71         | 1.5            | 1.4             | ∞     |
| Temperature Uncertainty – Permittivity                                       | 7.2.4.4   | 0.4        | R           | √3   | 0.23        | 0.26         | 0.1            | 0.1             | ∞     |
| <b>Combined Standard Uncertainty</b>   |           |            | RSS         |      |             |              | <b>12.5</b>    | 12.5            | 748   |
| <b>Expanded Uncertainty (95% CONFIDENCE INTERVAL)</b>                        |           |            | $k=2.00705$ |      |             |              | <b>25.1</b>    | 25.0            |       |

8. Test results summary

8.1. Measured Conducted Average Output Power

Measurement uncertainty for conducted measurements is  $\pm 0.5$ dB

Note the Upper Power Tolerance Limits are derived from the Tune-up procedure from Gemalto dated 22<sup>nd</sup> October 2014.

**GSM 850 E(GPRS)**

| Mode of Operation |                    | Modulation | Channel / Frequency [MHz]          |                                     |                                    |                                     |                                    |                                     | Factory Upper Tolerance |
|-------------------|--------------------|------------|------------------------------------|-------------------------------------|------------------------------------|-------------------------------------|------------------------------------|-------------------------------------|-------------------------|
|                   |                    |            | 128 / 824.2                        |                                     | 190 / 836.6                        |                                     | 251 / 848.8                        |                                     |                         |
|                   |                    |            | Measured Burst Average Power [dBm] | Calculated Time Average Power [dBm] | Measured Burst Average Power [dBm] | Calculated Time Average Power [dBm] | Measured Burst Average Power [dBm] | Calculated Time Average Power [dBm] |                         |
| GPRS              | 1 Uplink Timeslot  | GMSK       | 32.9                               | 23.9                                | 32.9                               | 23.9                                | 32.9                               | 23.9                                | 34                      |
|                   | 2 Uplink Timeslots |            | 30.1                               | 24.1                                | 30.2                               | 24.2                                | 30.1                               | 24.1                                | 31                      |
|                   | 3 Uplink Timeslots |            | 28.4                               | 24.15                               | 28.4                               | 24.15                               | 28.4                               | 24.15                               | 29                      |
|                   | 4 Uplink Timeslots |            | 27.4                               | 24.4                                | 27.3                               | 24.3                                | 27.3                               | 24.3                                | 28                      |
| EGPRS             | 1 Uplink Timeslot  | GMSK       | 32.9                               | 23.9                                | 33                                 | 24                                  | 32.9                               | 23.9                                | 34                      |
|                   | 2 Uplink Timeslots |            | 30.1                               | 24.1                                | 30.2                               | 24.2                                | 30.1                               | 24.1                                | 31                      |
|                   | 3 Uplink Timeslots |            | 28.4                               | 24.15                               | 28.4                               | 24.15                               | 28.4                               | 24.15                               | 29                      |
|                   | 4 Uplink Timeslots |            | 27.4                               | 24.4                                | 27.3                               | 24.3                                | 27.2                               | 24.2                                | 28                      |
|                   | 1 Uplink Timeslot  | 8PSK       | 27.1                               | 18.1                                | 27.2                               | 18.2                                | 27.2                               | 18.2                                | 28                      |
|                   | 2 Uplink Timeslots |            | 24.2                               | 18.2                                | 24.3                               | 18.3                                | 24.2                               | 18.2                                | 25                      |
|                   | 3 Uplink Timeslots |            | 22.3                               | 18.05                               | 22.5                               | 18.25                               | 22.5                               | 18.25                               | 23                      |
|                   | 4 Uplink Timeslots |            | 21.3                               | 18.3                                | 21.3                               | 18.3                                | 21.2                               | 18.2                                | 22                      |

PCS 1900 (E)GPRS

| Mode of Operation |                    | Modulation | Channel / Frequency [MHz]          |                                     |                                    |                                     |                                    |                                     | Factory Upper Tolerance |
|-------------------|--------------------|------------|------------------------------------|-------------------------------------|------------------------------------|-------------------------------------|------------------------------------|-------------------------------------|-------------------------|
|                   |                    |            | 512 / 1850.2                       |                                     | 661 / 1880                         |                                     | 810 / 1909.8                       |                                     |                         |
|                   |                    |            | Measured Burst Average Power [dBm] | Calculated Time Average Power [dBm] | Measured Burst Average Power [dBm] | Calculated Time Average Power [dBm] | Measured Burst Average Power [dBm] | Calculated Time Average Power [dBm] |                         |
| GPRS              | 1 Uplink Timeslot  | GMSK       | 29.9                               | 20.9                                | 30                                 | 21                                  | 30.2                               | 21.2                                | 31                      |
|                   | 2 Uplink Timeslots |            | 27                                 | 21                                  | 27.2                               | 21.3                                | 27.3                               | 21.3                                | 28                      |
|                   | 3 Uplink Timeslots |            | 25.3                               | 21.05                               | 25.4                               | 21.15                               | 25.6                               | 21.35                               | 26                      |
|                   | 4 Uplink Timeslots |            | 24.1                               | 21.1                                | 24.2                               | 21.2                                | 24.4                               | 21.4                                | 25                      |
| EGPRS             | 1 Uplink Timeslot  | GMSK       | 29.9                               | 20.9                                | 30.1                               | 21.1                                | 30.3                               | 21.3                                | 31                      |
|                   | 2 Uplink Timeslots |            | 27                                 | 21                                  | 27.2                               | 21.2                                | 27.4                               | 21.4                                | 28                      |
|                   | 3 Uplink Timeslots |            | 25.3                               | 21.05                               | 25.4                               | 21.15                               | 25.6                               | 21.35                               | 26                      |
|                   | 4 Uplink Timeslots |            | 24.1                               | 21.1                                | 24.2                               | 21.2                                | 24.4                               | 21.4                                | 25                      |
|                   | 1 Uplink Timeslot  | 8PSK       | 25.9                               | 16.9                                | 26                                 | 17                                  | 26.2                               | 17.2                                | 27                      |
|                   | 2 Uplink Timeslots |            | 22.9                               | 16.9                                | 23                                 | 17                                  | 23.2                               | 17.2                                | 24                      |
|                   | 3 Uplink Timeslots |            | 20.9                               | 16.65                               | 21.1                               | 16.85                               | 21.3                               | 17.05                               | 22                      |
|                   | 4 Uplink Timeslots |            | 19.8                               | 16.8                                | 19.9                               | 16.9                                | 20.1                               | 17.1                                | 21                      |

UMTS FDD II, V

| Band         | Channel | Frequency [MHz] | 12.2kbps RMC        | Factory Upper Tolerance |
|--------------|---------|-----------------|---------------------|-------------------------|
|              |         |                 | Average Power [dBm] |                         |
| WCDMA FDD V  | 4132    | 826.4           | 23.24               | 25                      |
|              | 4183    | 836.6           | 23.25               |                         |
|              | 4233    | 846.6           | 23.08               |                         |
| WCDMA FDD II | 9262    | 1852.4          | 24.37               | 25                      |
|              | 9400    | 1880            | 23.95               |                         |
|              | 9538    | 1907.6          | 24.04               |                         |

**HSDPA**

| Band         | Channel | Frequency [MHz] | Sub-test 1          | Sub-test 2          | Sub-test 3          | Sub-test 4          |
|--------------|---------|-----------------|---------------------|---------------------|---------------------|---------------------|
|              |         |                 | Average Power [dBm] | Average Power [dBm] | Average Power [dBm] | Average Power [dBm] |
| WCDMA FDD V  | 4132    | 826.4           | 23.3                | 22.67               | 22.25               | 22.18               |
|              | 4183    | 836.6           | 23.16               | 22.51               | 22.15               | 21.97               |
|              | 4233    | 846.6           | 23.14               | 22.48               | 22.19               | 21.89               |
| WCDMA FDD II | 9262    | 1852.4          | 24.16               | 23.62               | 23.17               | 22.82               |
|              | 9400    | 1880            | 23.76               | 23.27               | 22.94               | 22.61               |
|              | 9538    | 1907.6          | 23.91               | 23.36               | 23.08               | 22.64               |

**HSPA**

| Band         | Channel | Frequency [MHz] | Sub-test 1          | Sub-test 2          | Sub-test 3          | Sub-test 4          | Sub-test 5          |
|--------------|---------|-----------------|---------------------|---------------------|---------------------|---------------------|---------------------|
|              |         |                 | Average Power [dBm] | Average Power [dBm] | Average Power [dBm] | Average Power [dBm] | Average Power [dBm] |
| WCDMA FDD V  | 4132    | 826.4           | 23.41               | 23.25               | 22.26               | 22.17               | 21.93               |
|              | 4183    | 836.6           | 23.27               | 23.04               | 22.02               | 22.04               | 21.9                |
|              | 4233    | 846.6           | 23.27               | 23.15               | 22.15               | 22.13               | 21.72               |
| WCDMA FDD II | 9262    | 1852.4          | 23.97               | 23.87               | 22.92               | 22.23               | 22.04               |
|              | 9400    | 1880            | 23.92               | 23.49               | 22.43               | 22.3                | 22.11               |
|              | 9538    | 1907.6          | 23.24               | 23.58               | 22.71               | 22.08               | 21.94               |

### 8.2. Stand-Alone SAR Evaluation Exclusion

| Antenna  | Operation Mode  | SAR Evaluation Exclusion Reason  |
|----------|-----------------|--|
| Cellular | 8PSK Modulation | Using KDB 941225 D01, section 2.1, GMSK modulation is the primary mode and 8PSK modulation is the secondary mode. SAR evaluation is not required when the maximum output power and tune-up tolerance for the secondary mode is $\leq \frac{1}{4}$ dB higher than the primary mode. |
| Cellular | HSDPA, HSPA     | Using KDB 941225 D01, section 2.1, WCDMA, Rel 99 is the primary mode and HSDPA and HSPA are the secondary modes. SAR evaluation is not required when the maximum output power and tune-up tolerance for the secondary mode is $\leq \frac{1}{4}$ dB higher than the primary mode.  |

### 8.3. Test Positions and Configurations

| Exposure Condition | Distance | Position  | Positioning Setup Photo (Appendix B) |
|--------------------|----------|-----------|--------------------------------------|
| Body SAR           | 0 mm     | Back      | Photo 1                              |
| Extremity          | 0 mm     | Front     | Photo 2                              |
| Body SAR           | 0 mm     | Top Edge  | Photo 3                              |
| Extremity          | 0 mm     | Left Edge | Photo 4                              |

Measured SAR values are scaled up to the manufacturer's stated output power. These SAR values are the reported SAR values as described in FCC KDB 447498.

**8.4. SAR Results for Body**

| Band  | Operation Mode | Ch # | Freq. | Position / Distance mm | Measured SAR (W/Kg) 1g | Tune Up Power Scaling Factor | Power Drift (dB) | Reported SAR (W/Kg) 1g | Results |
|-------|----------------|------|-------|------------------------|------------------------|------------------------------|------------------|------------------------|---------|
| GSM   | 850            | 190  | 836.6 | Back / 0mm             | 0.549                  | 1.17                         | -0.03            | 0.645                  | Plot 2  |
| GSM   | 850            | 190  | 836.6 | Bottom / 0mm           | 0.477                  | 1.17                         | -0.04            | 0.560                  | Plot 3  |
| GSM   | 850            | 190  | 836.6 | Top/ 0mm               | 0.404                  | 1.17                         | -0.12            | 0.475                  | Plot 4  |
| GSM   | 850            | 128  | 824.2 | Back / 0mm             | 0.607                  | 1.15                         | -0.07            | 0.697                  | Plot 6  |
| GSM   | 850            | 251  | 848.8 | Back / 0mm             | 0.487                  | 1.17                         | 0.06             | 0.572                  | Plot 7  |
| PCS   | 1900           | 661  | 1880  | Back / 0mm             | 0.341                  | 1.20                         | 0.05             | 0.410                  | Plot 9  |
| PCS   | 1900           | 661  | 1880  | Bottom / 0mm           | 0.23                   | 1.20                         | -0.13            | 0.277                  | Plot 10 |
| PCS   | 1900           | 661  | 1880  | Top/ 0mm               | 0.132                  | 1.20                         | -0.20            | 0.159                  | Plot 11 |
| WCDMA | FDD II         | 9400 | 1880  | Back / 0mm             | 0.692                  | 1.27                         | -0.11            | 0.881                  | Plot 16 |
| WCDMA | FDD II         | 9400 | 1880  | Bottom / 0mm           | 0.519                  | 1.29                         | -0.15            | 0.669                  | Plot 17 |
| WCDMA | FDD II         | 9400 | 1880  | Top/ 0mm               | 0.561                  | 1.27                         | -0.03            | 0.714                  | Plot 18 |
| WCDMA | FDD V          | 4183 | 836.6 | Back / 0mm             | 0.617                  | 1.50                         | -0.10            | 0.923                  | Plot 23 |
| WCDMA | FDD V          | 4183 | 836.6 | Bottom / 0mm           | 0.398                  | 1.50                         | 0.00             | 0.596                  | Plot 24 |
| WCDMA | FDD V          | 4183 | 836.6 | Top/ 0mm               | 0.346                  | 1.50                         | -0.18            | 0.518                  | Plot 25 |
| WCDMA | FDD V          | 4132 | 826.4 | Back / 0mm             | <b>0.706</b>           | 1.50                         | 0.02             | <b>1.059</b>           | Plot 27 |
| WCDMA | FDD V          | 4233 | 846.6 | Back / 0mm             | 0.577                  | 1.56                         | 0.01             | 0.898                  | Plot 28 |
|       |                |      |       |                        |                        |                              |                  |                        |         |
|       |                |      |       |                        |                        |                              |                  |                        |         |
|       |                |      |       |                        |                        |                              |                  |                        |         |

Notes: The tune up power scaling factor is a multiplicative factor. See section 5.6 of this report for more details.

### 8.5. SAR Results for Body Extremity

| Band  | Operation Mode | Ch # | Freq.  | Position / Distance mm | Measured SAR (W/Kg) 10g | Tune Up Power Scaling Factor | Power Drift (dB) | Reported SAR (W/Kg) 10g | Results |
|-------|----------------|------|--------|------------------------|-------------------------|------------------------------|------------------|-------------------------|---------|
| GSM   | 850            | 190  | 836.6  | Front / 0mm            | 0.604                   | 1.17                         | -0.01            | 0.710                   | Plot 1  |
| GSM   | 850            | 190  | 836.6  | Right Edge/ 0mm        | 0.100                   | 1.17                         | 0.10             | 0.117                   | Plot 5  |
| PCS   | 1900           | 661  | 1880   | Front / 0mm            | 0.470                   | 1.20                         | -0.01            | 0.565                   | Plot 8  |
| PCS   | 1900           | 661  | 1880   | Right Edge/ 0mm        | 0.175                   | 1.20                         | -0.03            | 0.210                   | Plot 12 |
| PCS   | 1900           | 512  | 1850.2 | Right Edge/ / 0mm      | 0.161                   | 1.23                         | -0.18            | 0.198                   | Plot 13 |
| PCS   | 1900           | 810  | 1909.8 | Right Edge/ / 0mm      | 0.167                   | 1.15                         | -0.21            | 0.192                   | Plot 14 |
| WCDMA | FDD II         | 9400 | 1880   | Front / 0mm            | <b>0.881</b>            | 1.27                         | -0.10            | <b>1.122</b>            | Plot 15 |
| WCDMA | FDD II         | 9400 | 1880   | Right Edge/ 0mm        | 0.401                   | 1.27                         | -0.03            | 0.511                   | Plot 19 |
| WCDMA | FDD II         | 9262 | 1852.4 | Right Edge/ 0mm        | 0.379                   | 1.16                         | -0.17            | 0.438                   | Plot 20 |
| WCDMA | FDD II         | 9538 | 1907.6 | Right Edge/ 0mm        | 0.395                   | 1.25                         | -0.07            | 0.493                   | Plot 21 |
| WCDMA | FDD V          | 4183 | 836.6  | Front / 0mm            | 0.555                   | 1.50                         | -0.09            | 0.830                   | Plot 22 |
| WCDMA | FDD V          | 4183 | 836.6  | Right Edge/ 0mm        | 0.082                   | 1.50                         | 0.06             | 0.123                   | Plot 26 |
|       |                |      |        |                        |                         |                              |                  |                         |         |
|       |                |      |        |                        |                         |                              |                  |                         |         |
|       |                |      |        |                        |                         |                              |                  |                         |         |

Note: The extremity measurements are for when a hand is inadvertently placed on the unit.

### 8.6. SAR Measurement Variability

SAR measurement variability is assessed when the initial measured 1g SAR is  $\geq 0.80$  W/kg. If the measured SAR value of the initial repeated measurement is  $< 1.45$  W/kg with  $\leq 20\%$  variation, only one repeated measurement is required to affirm that the results are not expected to have substitution variations. A second repeated measurement is required only if the measured results for the initial repeated measurement is within 10% of the SAR limit and vary by more than 20%. Measures SAR values were below 0.8 so SAR variability test were not applicable for body measurements.

Likewise for body extremity measurements measured SAR was less than 2.0 W/Kg, hence measurement variability is not applicable.

### 8.7. Dipole verification

Prior to formal testing at each frequency band, system verification was performed in accordance with IEEE 1528 and IEC 62209-1/2. The 1 Watt reference SAR value is taken from the SPEAG dipole calibration report. All of the testing described in this report was performed within 24 hours of the system verification. The following results were obtained:

| Date      | Liquid Type | Frequency (MHz) | CW input at dipole feed (Watts) | 1g SAR (W/kg) <sup>1</sup> | 1 Watt reference SAR value (W/kg) | Difference of normalized SAR to reference SAR | Results (Section 9) |
|-----------|-------------|-----------------|---------------------------------|----------------------------|-----------------------------------|---|---------------------|
| 2/09/2017 | MSL         | 850             | .1                              | .966                       | .945                              | 2.22  | Plot 29             |
| 2/14/2017 | MSL         | 850             | .1                              | .973                       | .945                              | 2.96  | Plot 30             |
| 2/16/2017 | MSL         | 850             | .1                              | .977                       | .945                              | 3.39  | Plot 31             |
| 2/01/2017 | MSL         | 1900            | .1                              | 3.71                       | 3.88                              | -4.38   | Plot 32             |
| 2/08/2017 | MSL         | 1900            | .1                              | 3.81                       | 3.88                              | -1.80   | Plot 33             |
| 3/31/2017 | MSL         | 1900            | .1                              | 3.91                       | 3.88                              | 0.77  | Plot 34             |
| 4/03/2017 | MSL         | 1900            | .1                              | 3.82                       | 3.88                              | -1.55   | Plot 35             |
|           |             |                 |                                 |                            |                                   |   |                     |



## 9. References

1. [IEEE 1999] IEEE Std C95.1-1999: IEEE Standard for Safety Levels with Respect to Human Exposure to Radio Frequency Electromagnetic Fields, 3 kHz to 300 GHz, Inst. of Electrical and Electronics Engineers, Inc., December 1998.
2. [IEEE 2013] IEEE Std 1528-2013: IEEE Recommended Practice for Determining the Peak Spatial-Average Specific Absorption Rate (SAR) in the Human Head From Wireless Communications Devices: Measurement Techniques. Inst. of Electrical and Electronics Engineers, Inc., June 2013.
3. [NIST 1994] NIST: Guidelines for Evaluating and Expressing the Uncertainty of NIST Measurement Results, Technical Note 1297 (TN1297), United States Department of Commerce Technology Administration, National Institute of Standards and Technology, September 1994.
4. [FCC 20XX] Various FCC KDB Publications,  
< <http://transition.fcc.gov/oet/ea/eameasurements.html#sar> >
5. [IC 2015] Safety Code 6: Limits of Human Exposure to Radiofrequency Electromagnetic Energy in the Frequency Range from 3 kHz to 300 GHz
6. [IC 2010] RSS-102: Radio Frequency (RF) Exposure Compliance of Radio communication Apparatus (All Frequency Bands), Industry Canada, Issue 5, March 2015.
7. [IC 2012] Notice 2012-DRS1203: RE: APPLICABILITY OF LATEST FCC RF EXPOSURE KDB PROCEDURES (PUBLICATION DATE: OCTOBER 24, 2012) AND OTHER PROCEDURES, Industry Canada, December 2012
8. EN 62209-2:2010, Human exposure to radio frequency fields from hand-held and body-mounted wireless communication devices - Human models, instrumentation, and procedures - Part 2: Procedure to determine the specific absorption rate (SAR) for wireless communication devices used in close proximity to the human body (frequency range of 30 MHz to 6 GHz)

10. Report History

| Date         | Report Name             | Changes to Report | Report prepared by |
|--------------|-------------------------|-------------------|--------------------|
| May 18, 2017 | TZMED-012-16001-FCC-SAR | Initial Version   | James Donnellan    |