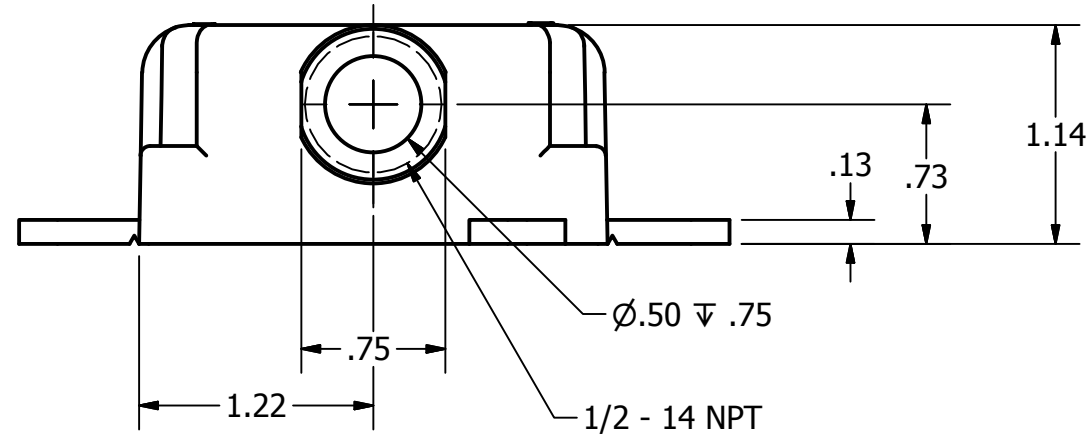
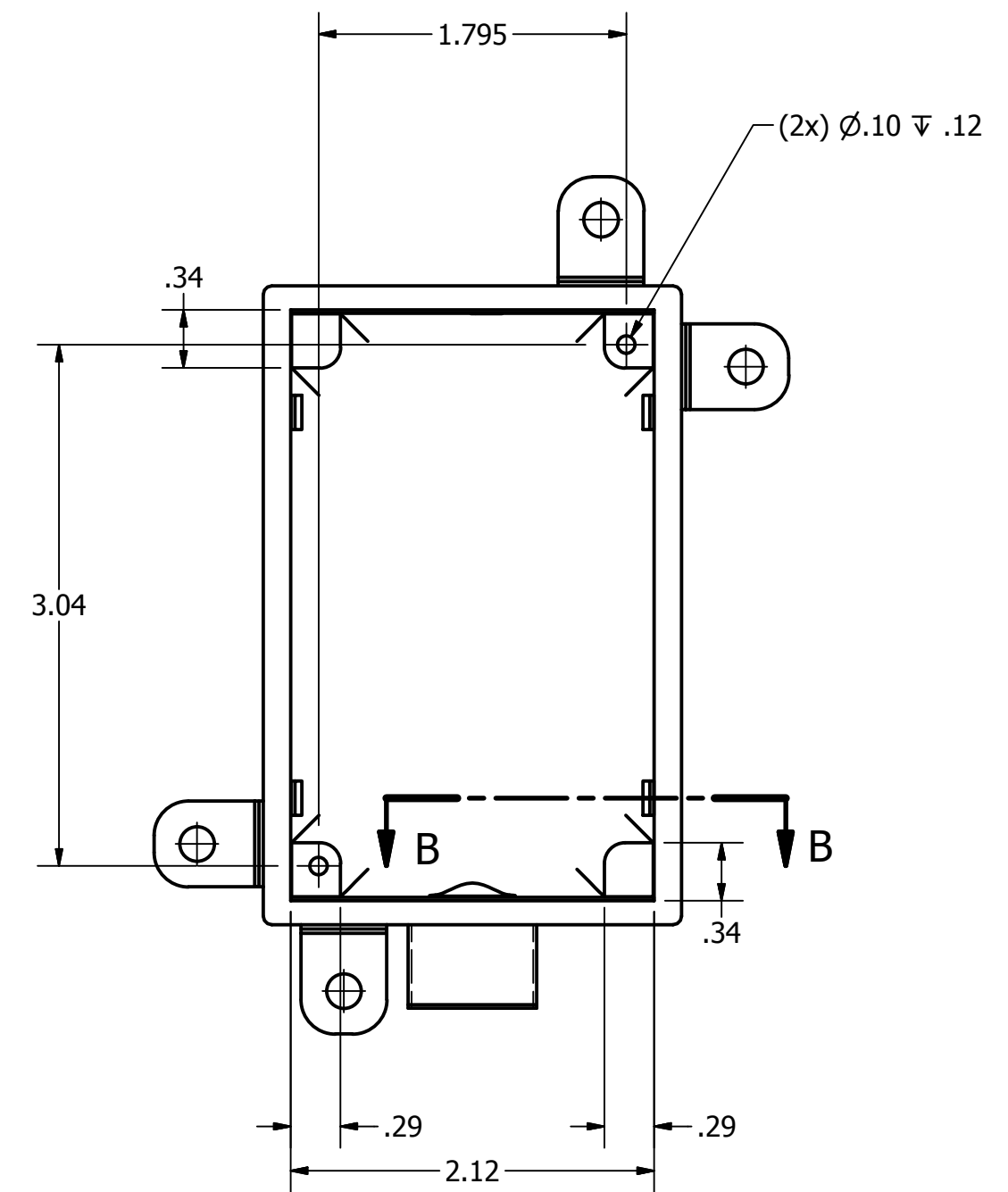
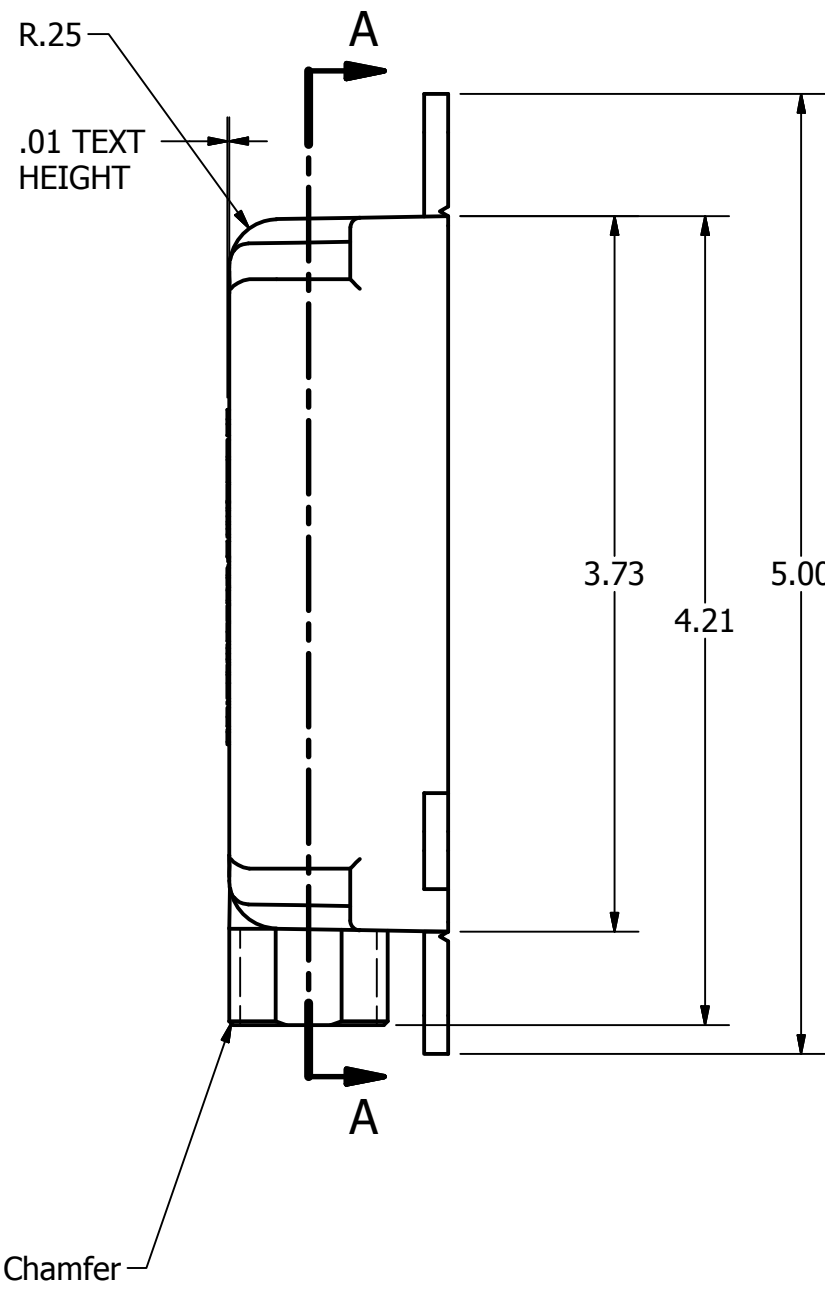
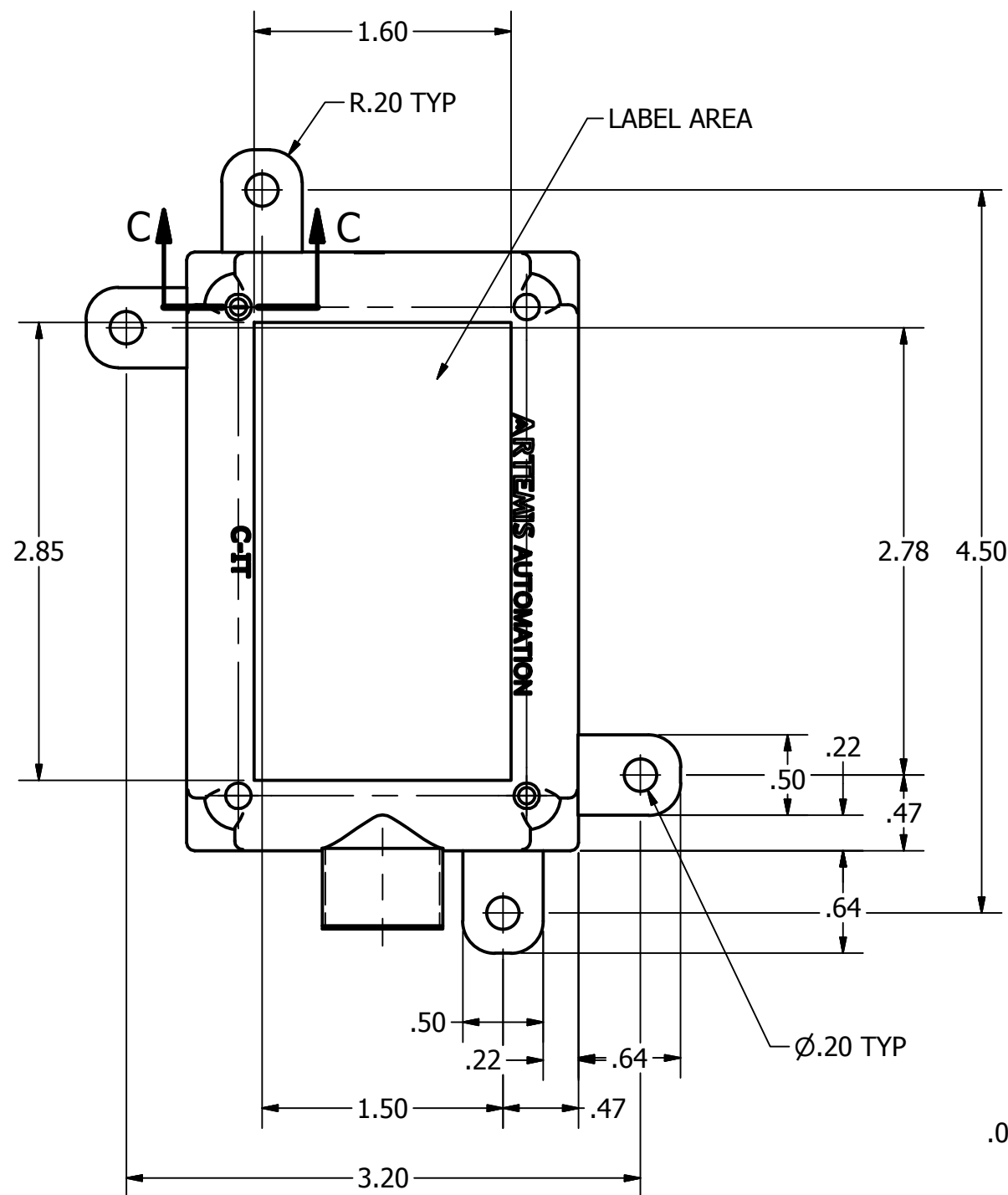
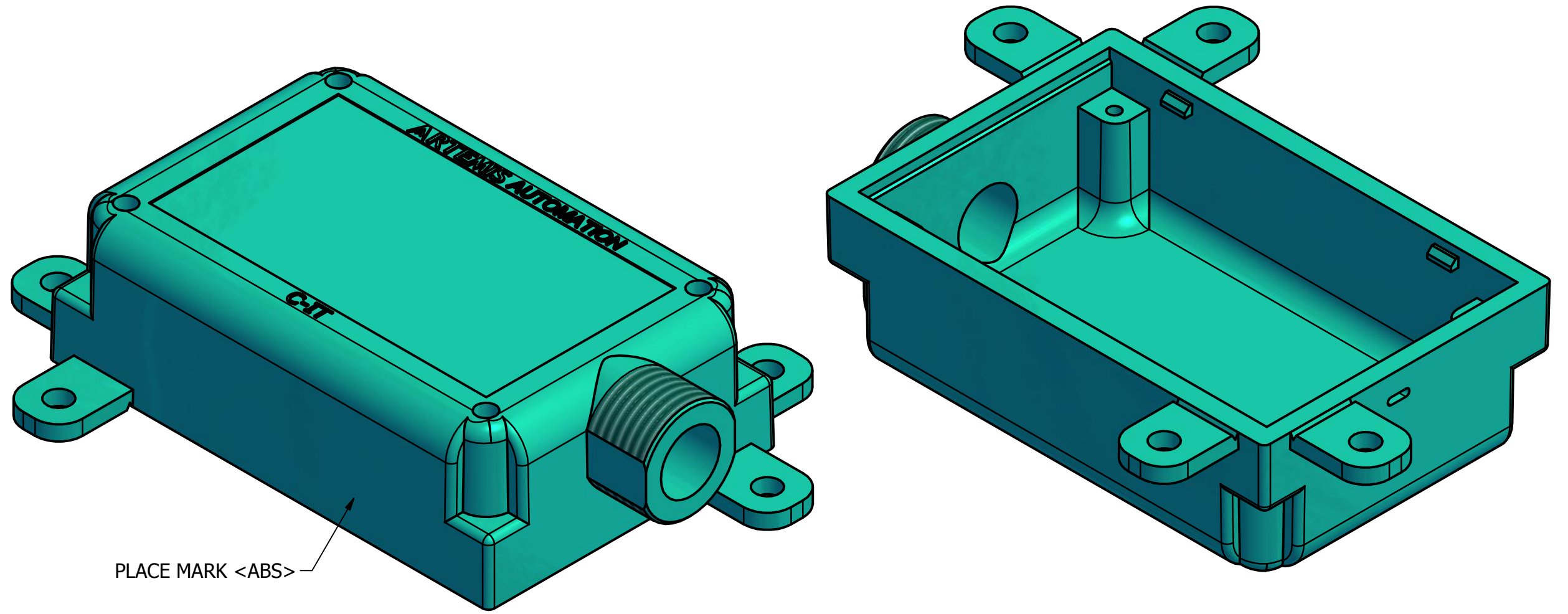
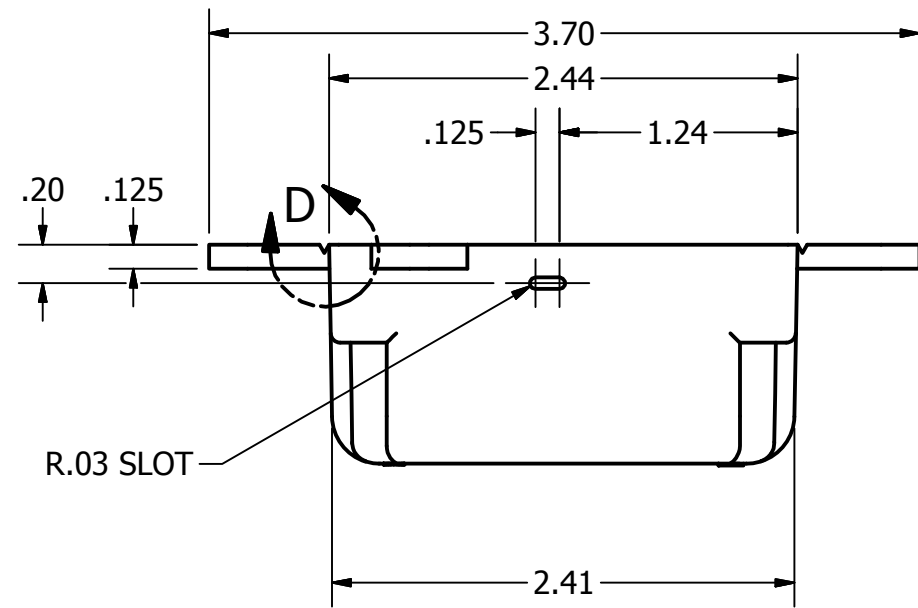


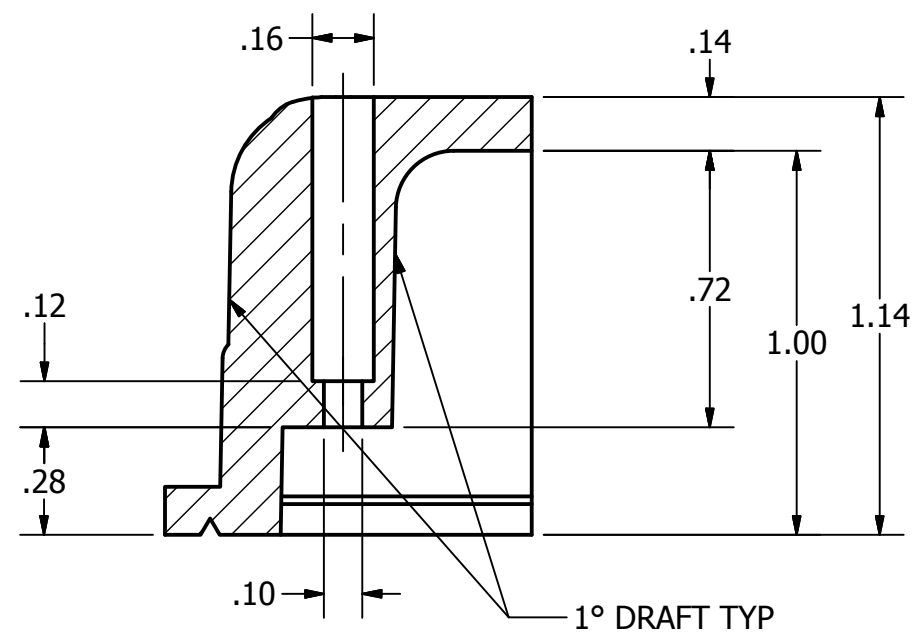
NOTE(S):

1. MATERIAL USED: ABS PLASTIC, PLACE MARK, LOCATION NOTED ON DRAWING, <ABS>.
2. COLOR: BLUE PANTONE #314C, CMYK C100, M31, Y24, K1
3. TOLERANCE UNLESS NOTED: ± .005"

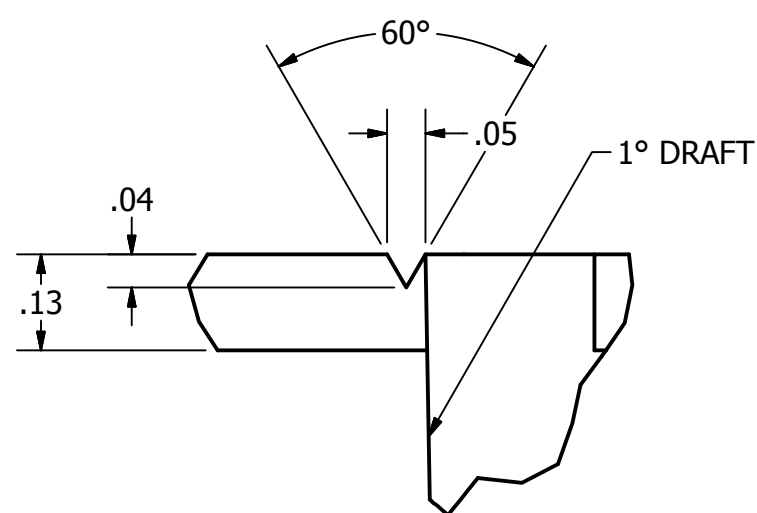


TOLERANCE UNLESS NOTED ± 0.005"

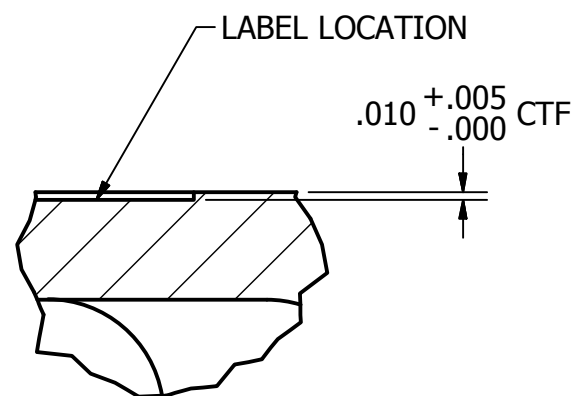
DRAWN C.MARTIN	8/22/2011	HVTDC Hudson Valley Technology Development Center Inc. 1450 Rt. 300 Bld.1 Suite 1, Newburgh, NY 12550 845-391-8214	
CHECKED		TITLE ARTEMIS C-IT BOX BOTTOM	
QA		SIZE C	DWG NO 01-001005
MFG		SCALE	REV I
APPROVED		SHEET 1 OF 3	



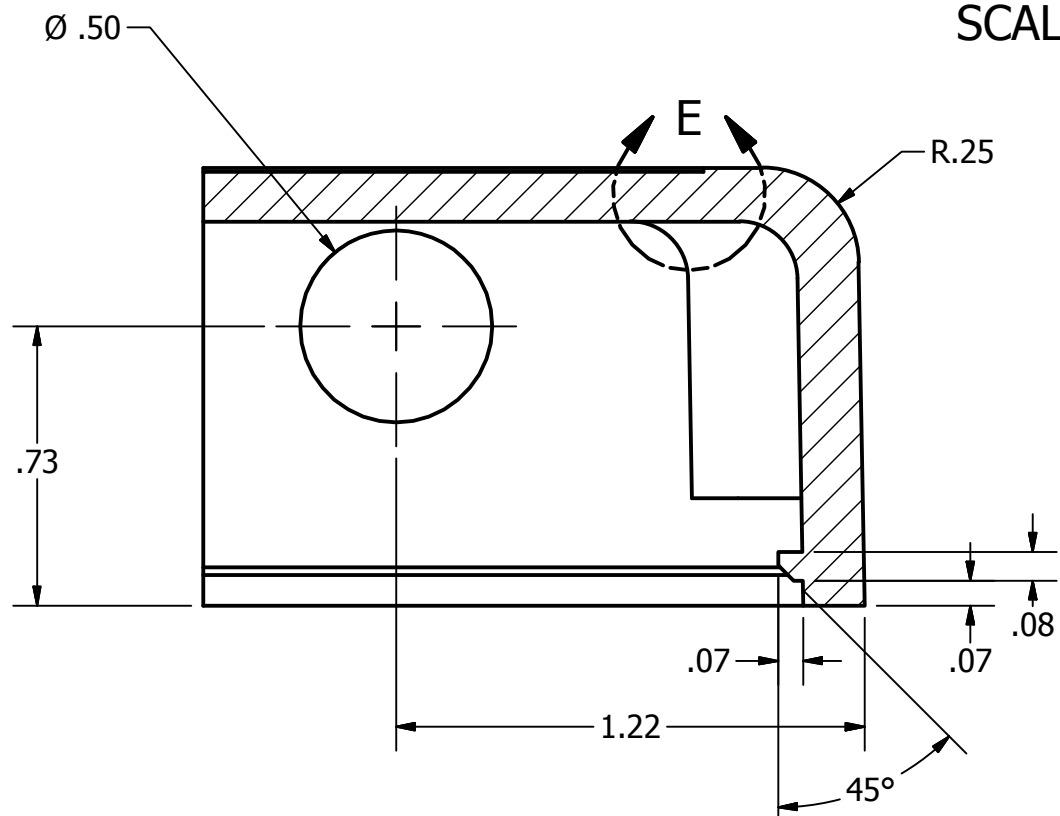
SECTION C-C
SCALE 2 : 1



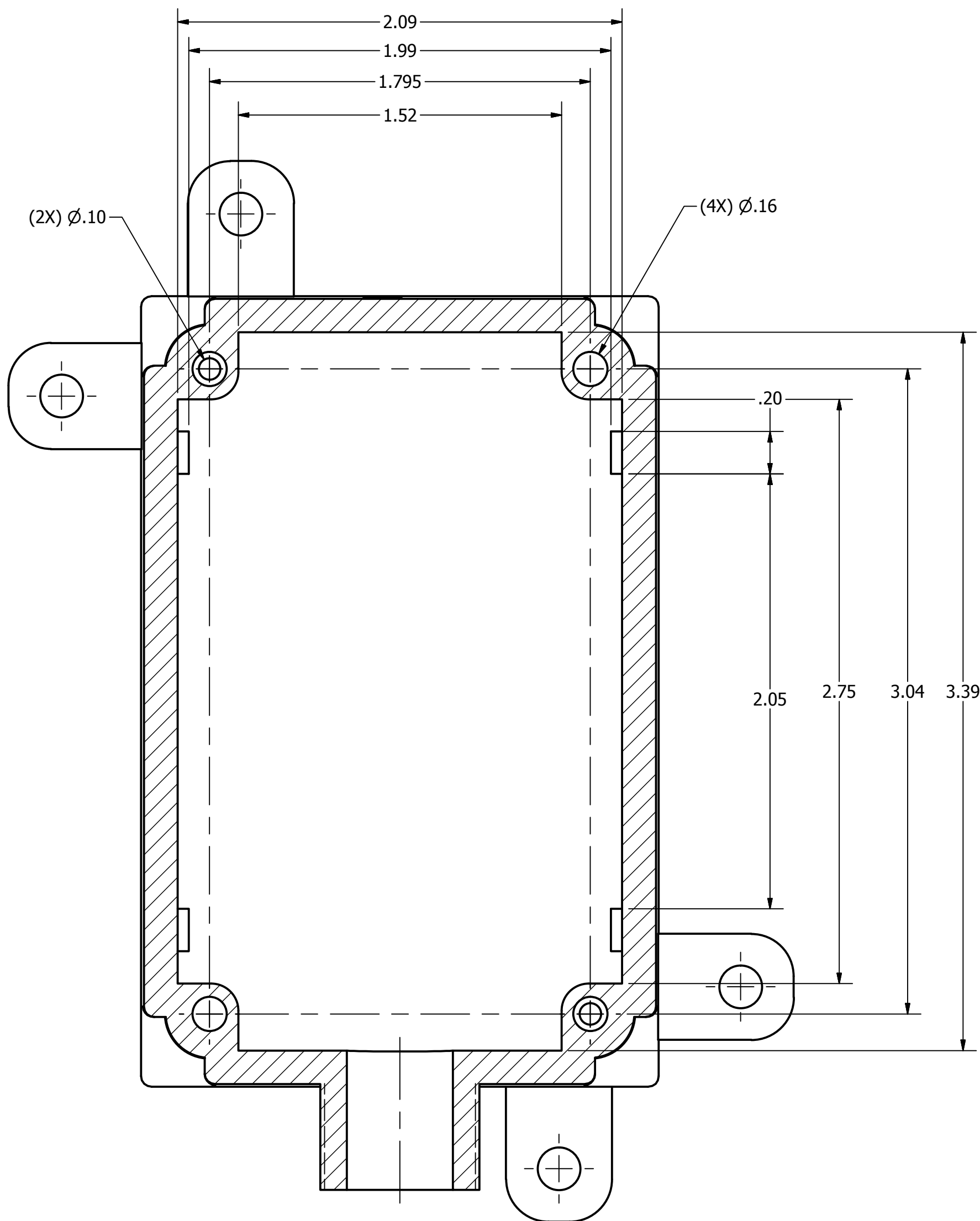
DETAIL D
SCALE 4 : 1



DETAIL E
SCALE 4 : 1



SECTION B-B
SCALE 2 : 1



SECTION A-A
SCALE 2 : 1

DRAWN C.MARTIN	8/22/2011	HVTDC Hudson Valley Technology Development Center Inc. 1450 Rt. 300 Bld.1 Suite 1, Newburgh, NY 12550 845-391-8214	
CHECKED		TITLE ARTEMIS C-IT BOX BOTTOM	
QA		SIZE C	REV I
MFG		DWG NO 01-001005	
APPROVED		SCALE	SHEET 2 OF 4

TOLERANCE UNLESS NOTED ± 0.005"

4 3 2 1

D

D

C

C

B

B

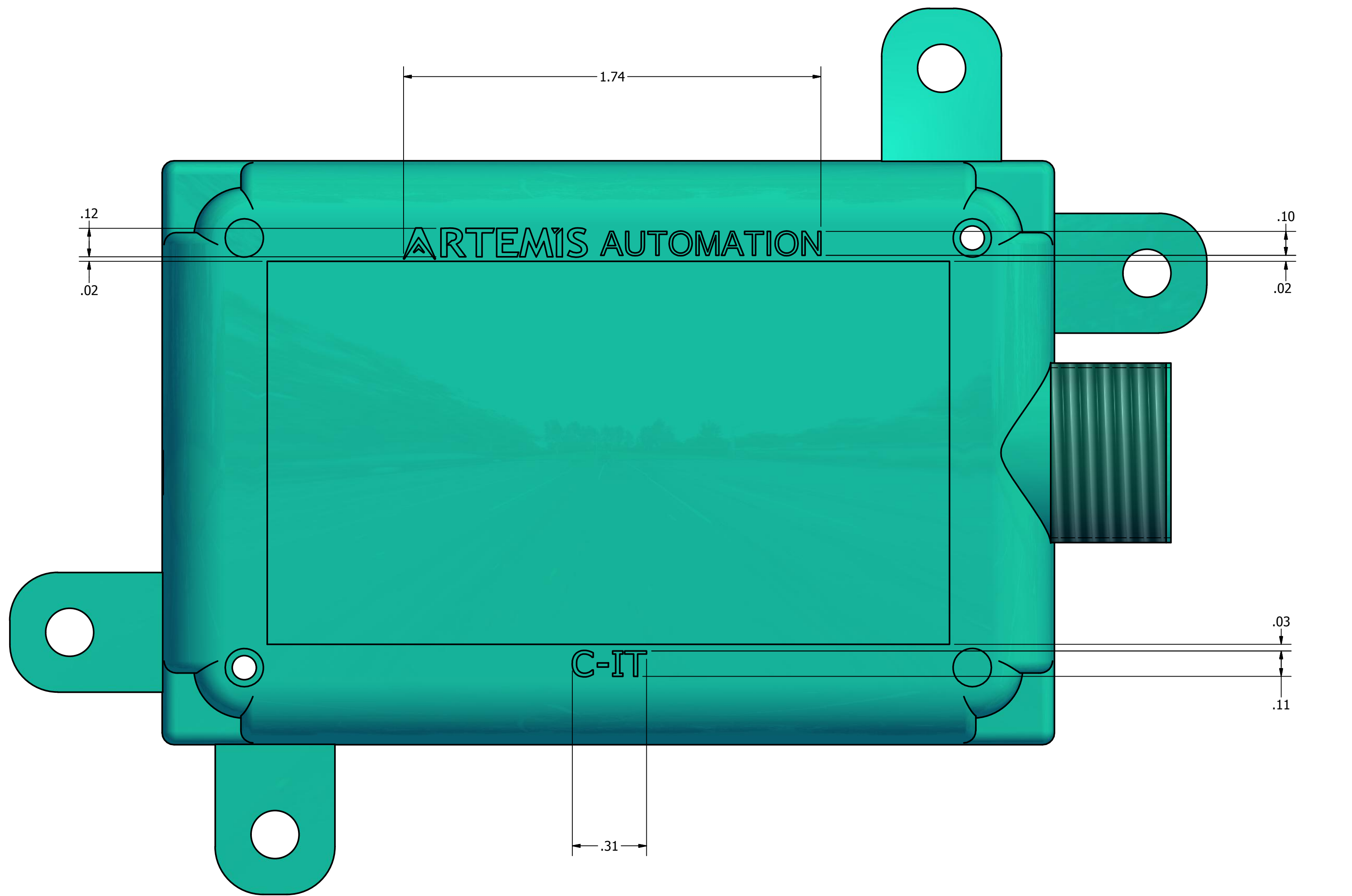
A

A

4 3 2 1

A

A



LOGO & ID DETAIL

DRAWN C.MARTIN	8/22/2011	HVTDC Hudson Valley Technology Development Center Inc. 1450 Rt. 300 Bld.1 Suite 1, Newburgh, NY 12550 845-391-8214	
CHECKED		TITLE ARTEMIS C-IT BOX BOTTOM	
QA		SIZE C	REV I
MFG		DWG NO 01-001005	
APPROVED		SCALE	SHEET 3 OF 3