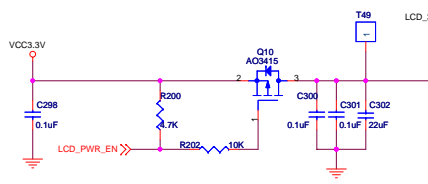
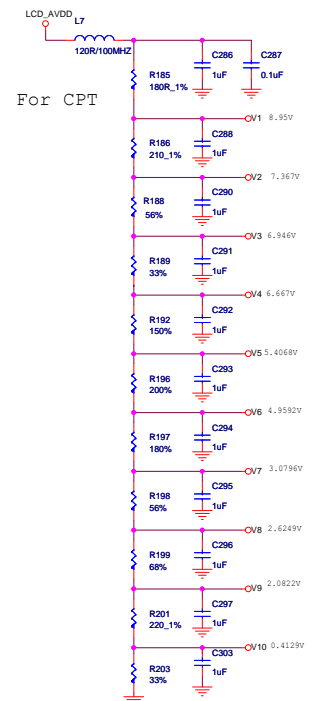
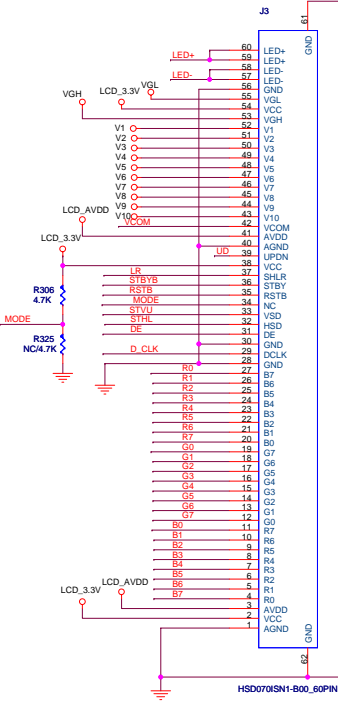
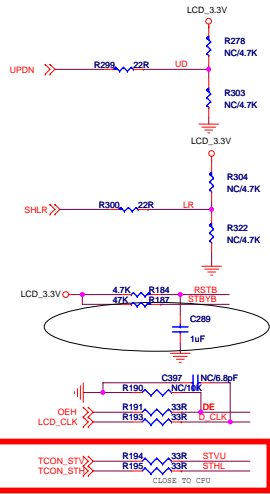


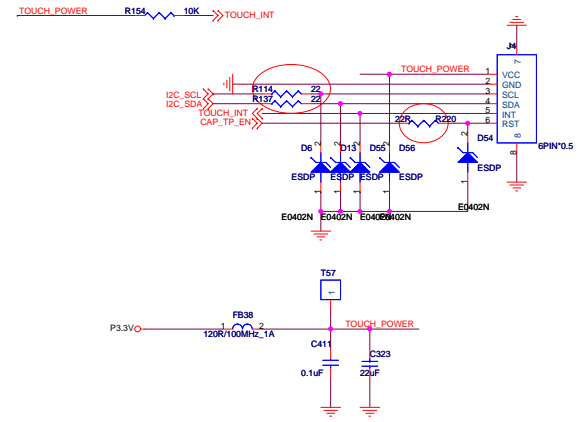
Place close to CPU



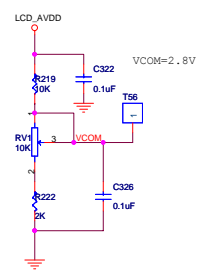
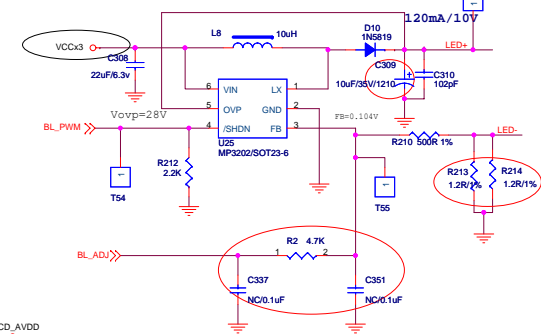
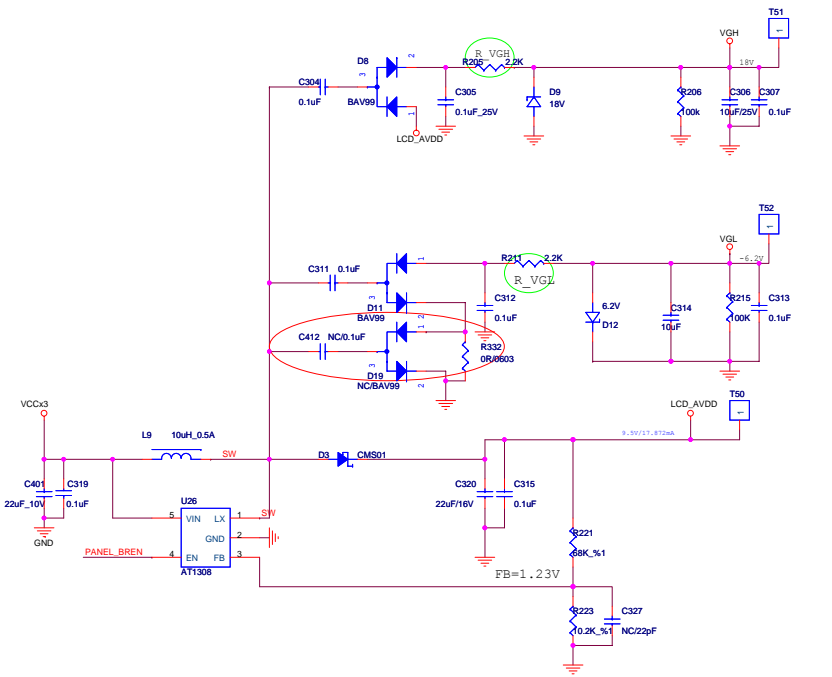
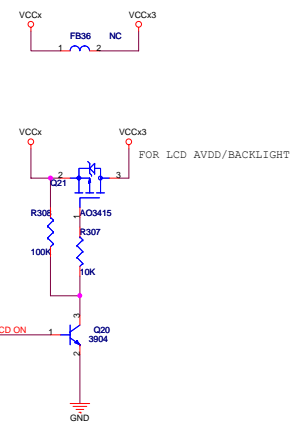
LOW: POWER ON;
HIGHT: POWER DOWN



Capacitive touch Connctor

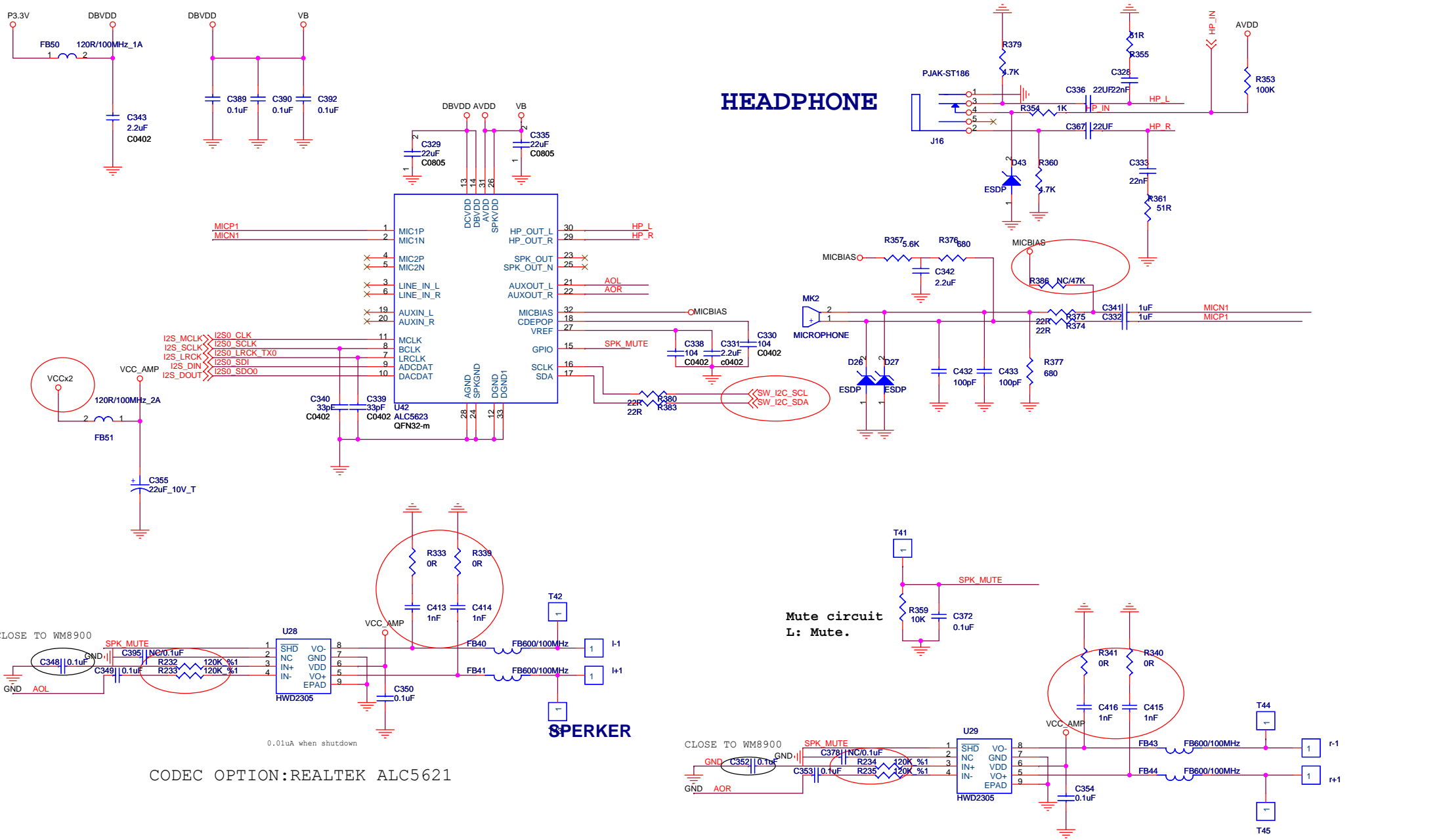


AVDD&VGH&VGL&BL POWER



PTT-726A		
05.Panel&CAP/RES TOUCH		
File	Document Number	Rev
Size	M55-V961-113	113
Column		
Date:	Sunday, October 16, 2011	Sheet 5 of 14

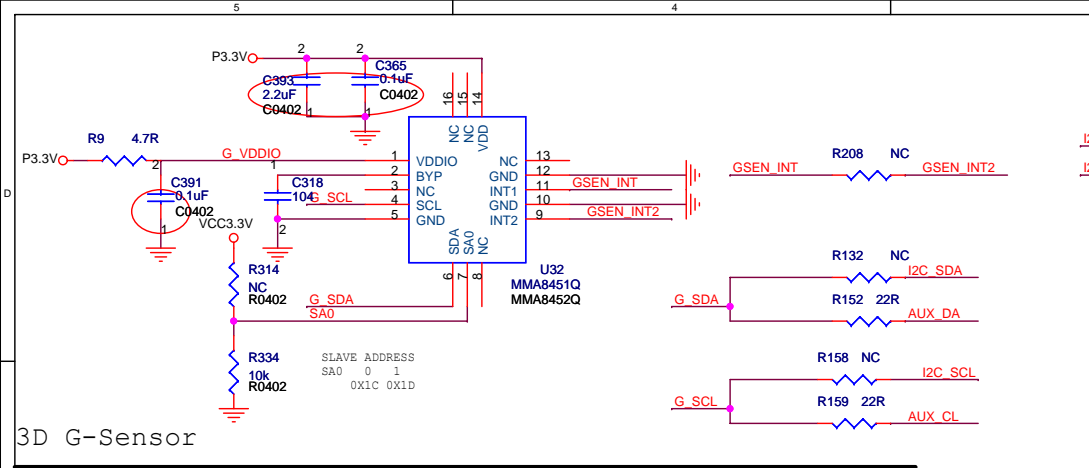
HEADPHONE



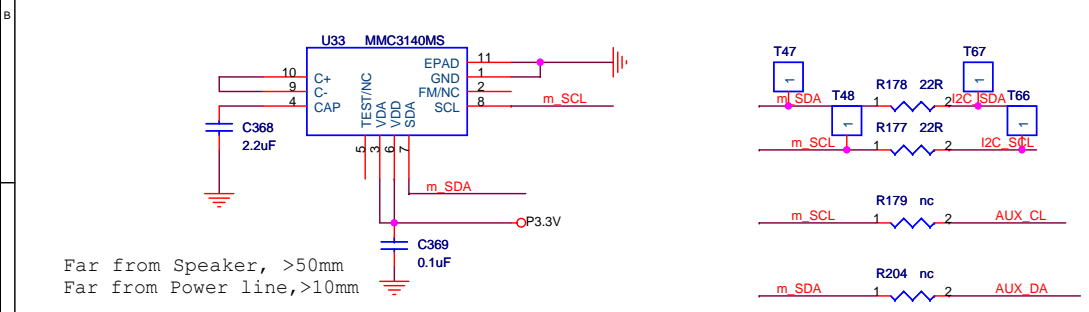
CODEC OPTION:REALTEK ALC5621

Mute circuit
L: Mute.

PTT-726A		
Title	06.Audio	
Size	Document Number	Rev
Custom	M55-V961-113	113
Date:	Sunday, October 16, 2011	Sheet 6 of 14

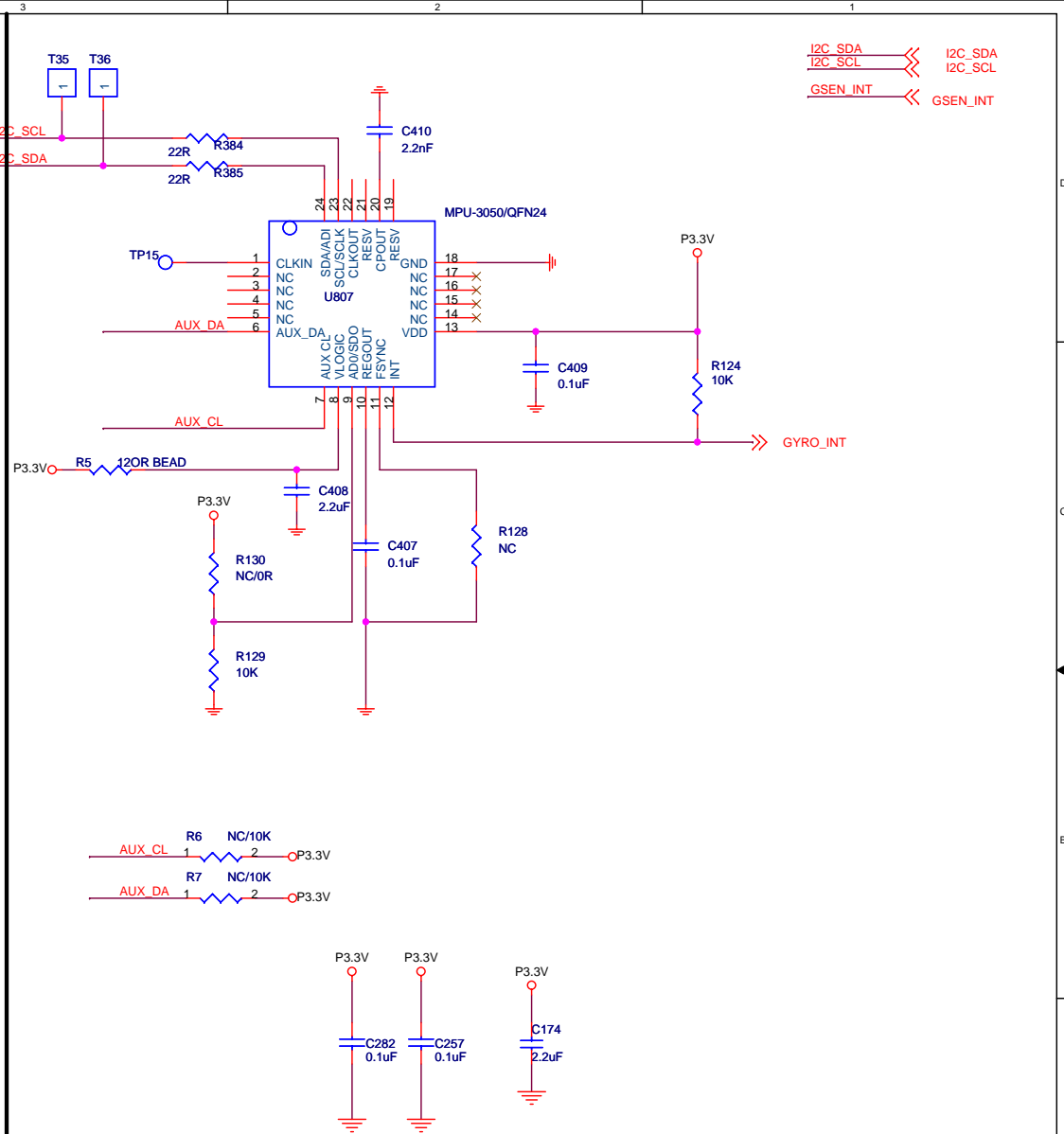


3D G-Sensor



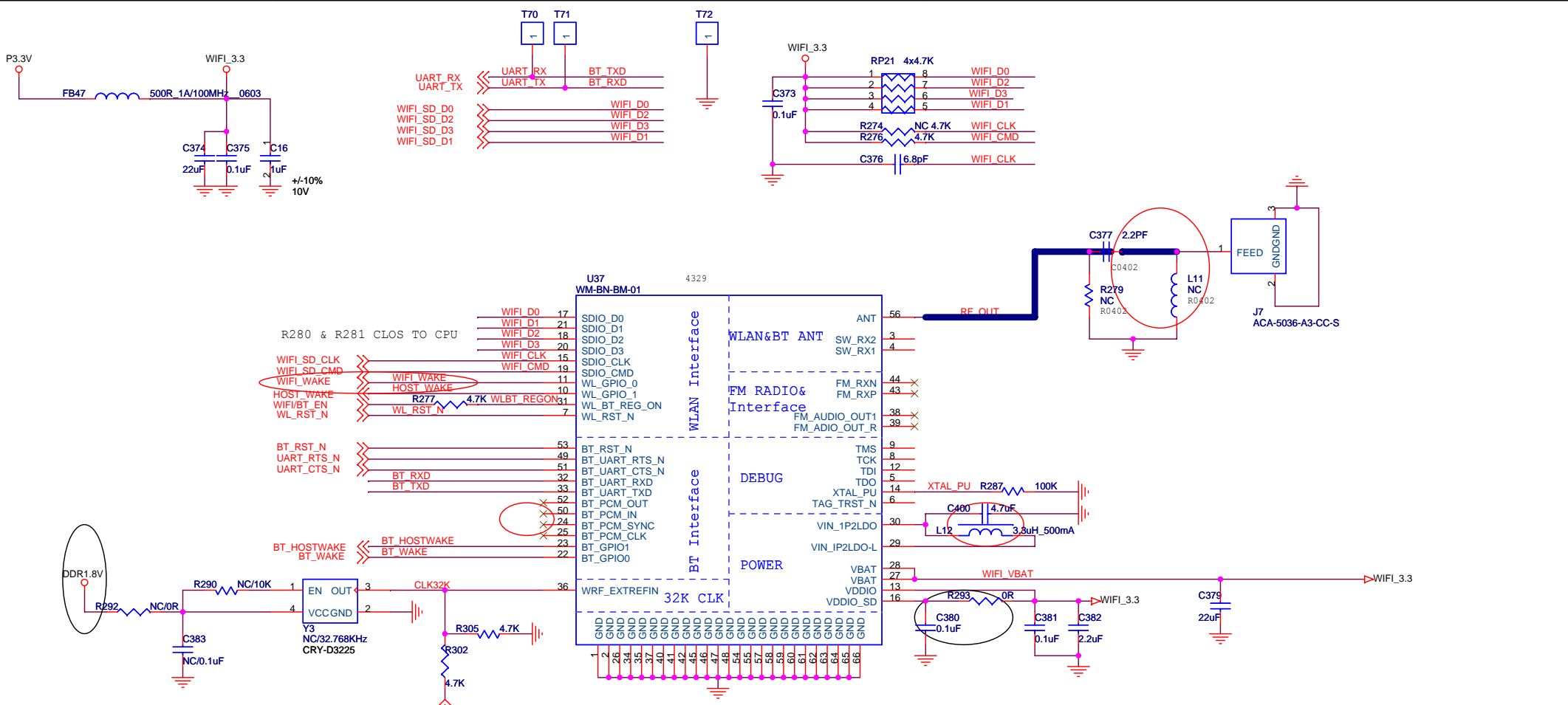
Far from Speaker, >50mm
Far from Power line, >10mm

Magnetic Sensor

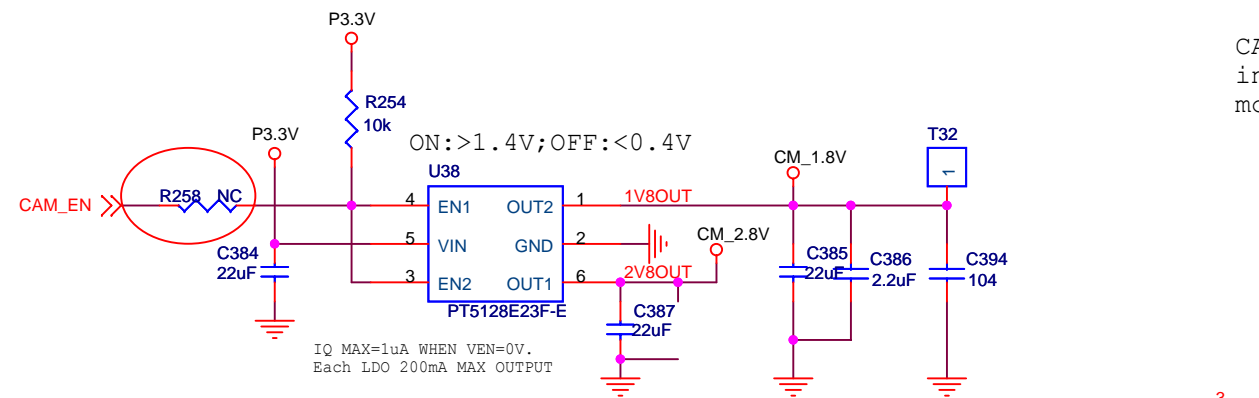


I2C_SDA
I2C_SCL
GSEN_INT
I2C_SDA
I2C_SCL
GSEN_INT

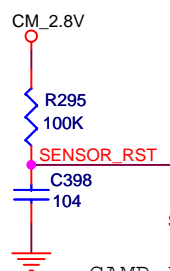
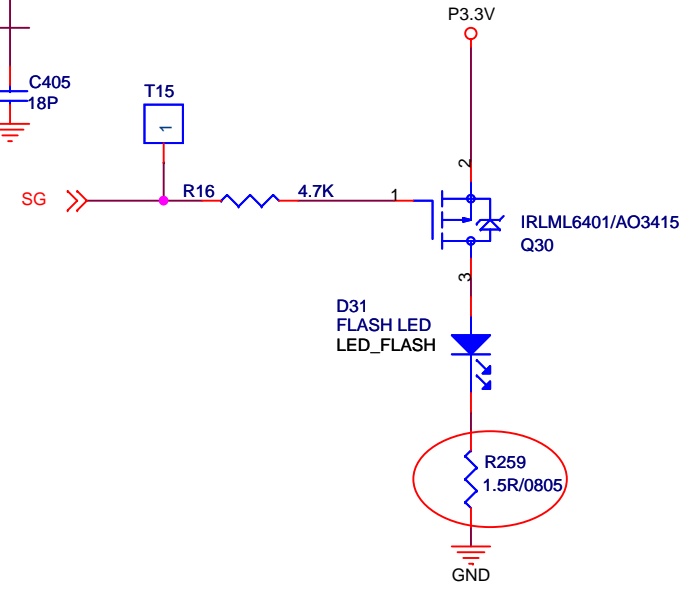
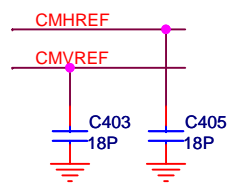
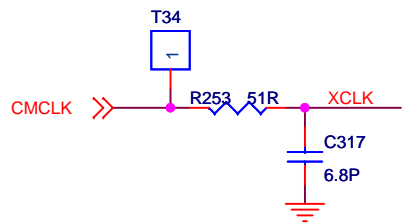
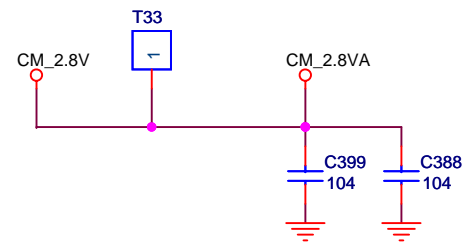
PTT-726A		
Title 07.Sensor		
Size B	Document Number M55-V961-113	Rev 113
Date: Sunday, October 16, 2011	Sheet 7	of 14



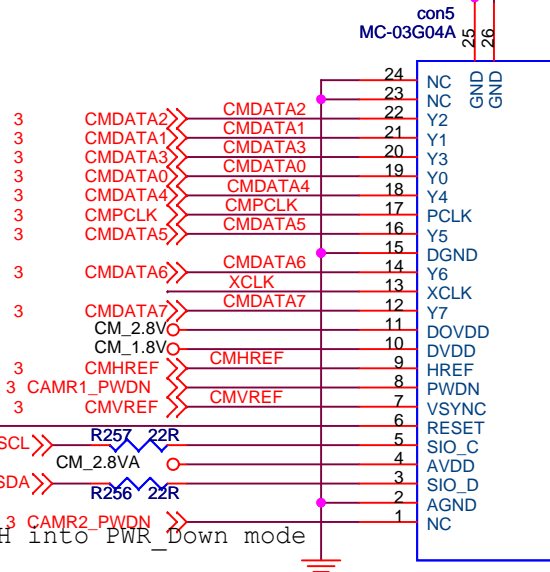
PTT-726A			
Title			
08.WiFi&BT&FM			
Size	Document Number		Rev
Custom	M55-V961-113		113
Date:	Sunday, October 16, 2011	Sheet	8 of 14



CAMR_PWDN=L
into PWR_Down
mode

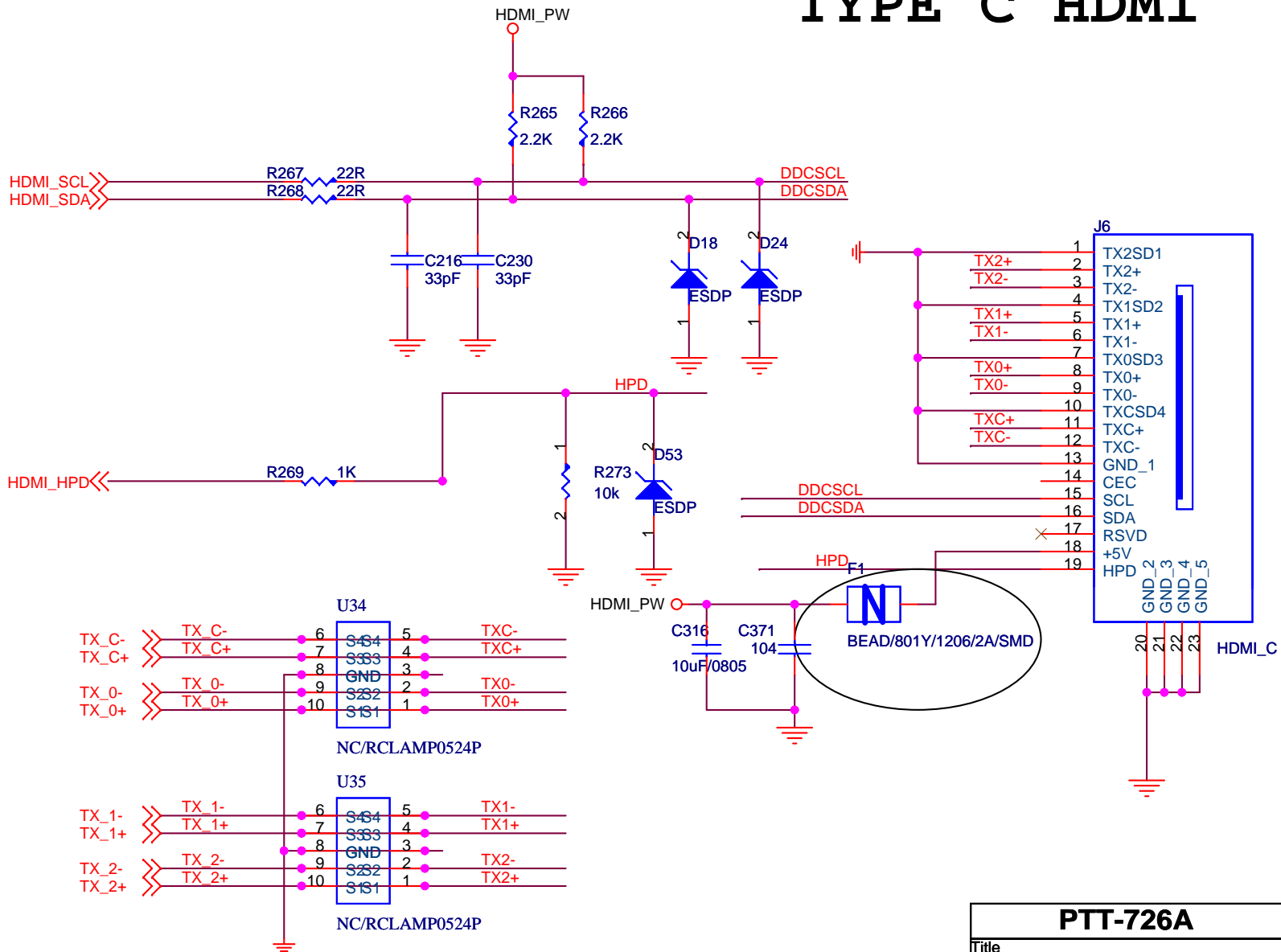


CAMR_PWDN=H into PWR_Down mode



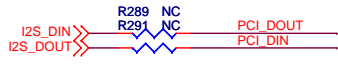
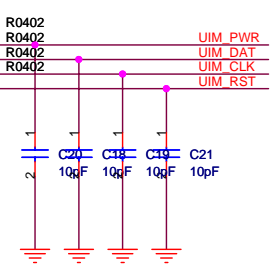
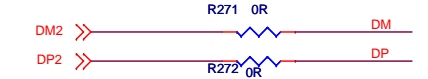
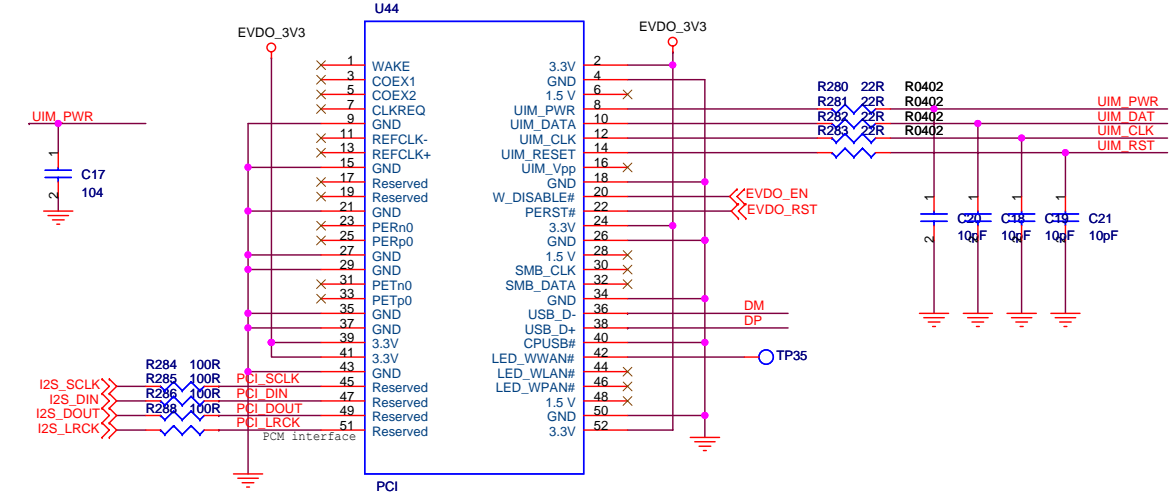
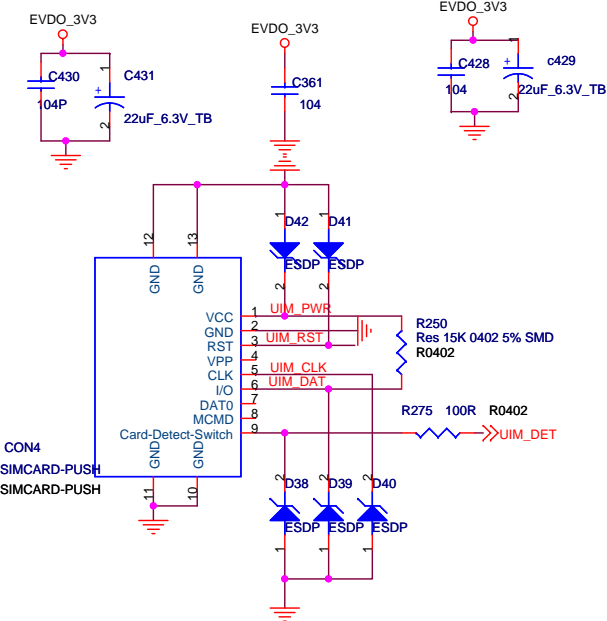
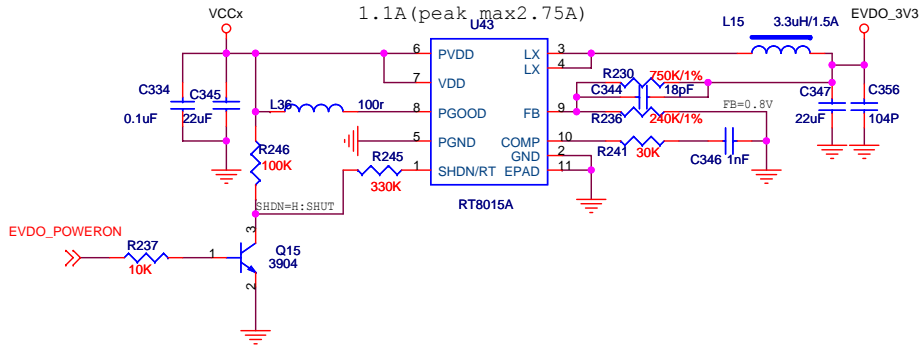
PTT-726A		
Title		
09.CAMERA		
Size	Document Number	Rev
Custom	M55-V961-113	113
Date:	Sunday, October 16, 2011	Sheet 9 of 14

TYPE C HDMI

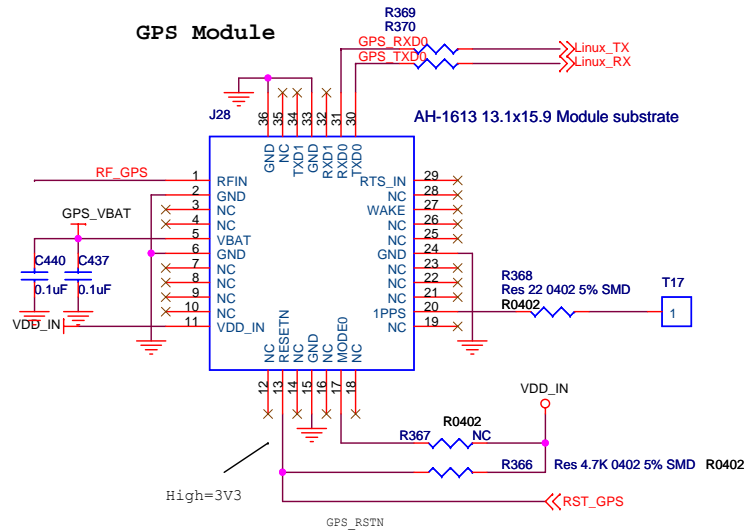
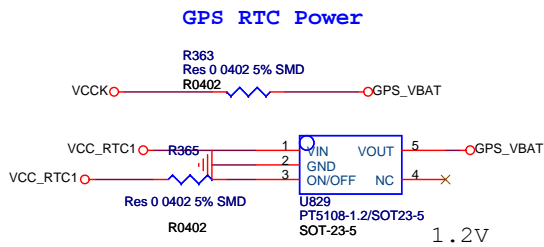
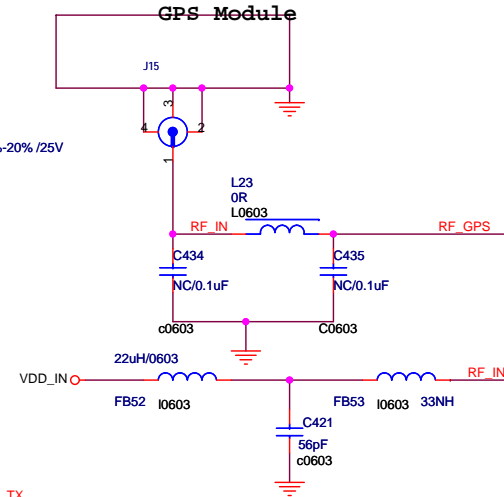
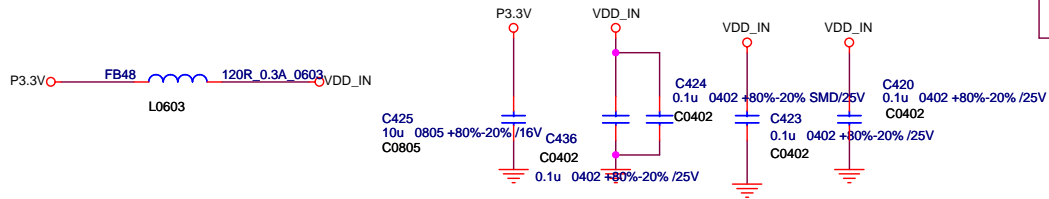


PTT-726A		
Title		
10.HDMI		
Size	Document Number	Rev
A	M55-V961-113	113
Date:	Sunday, October 16, 2011	Sheet 10 of 14

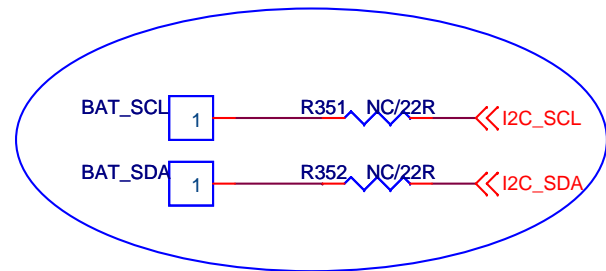
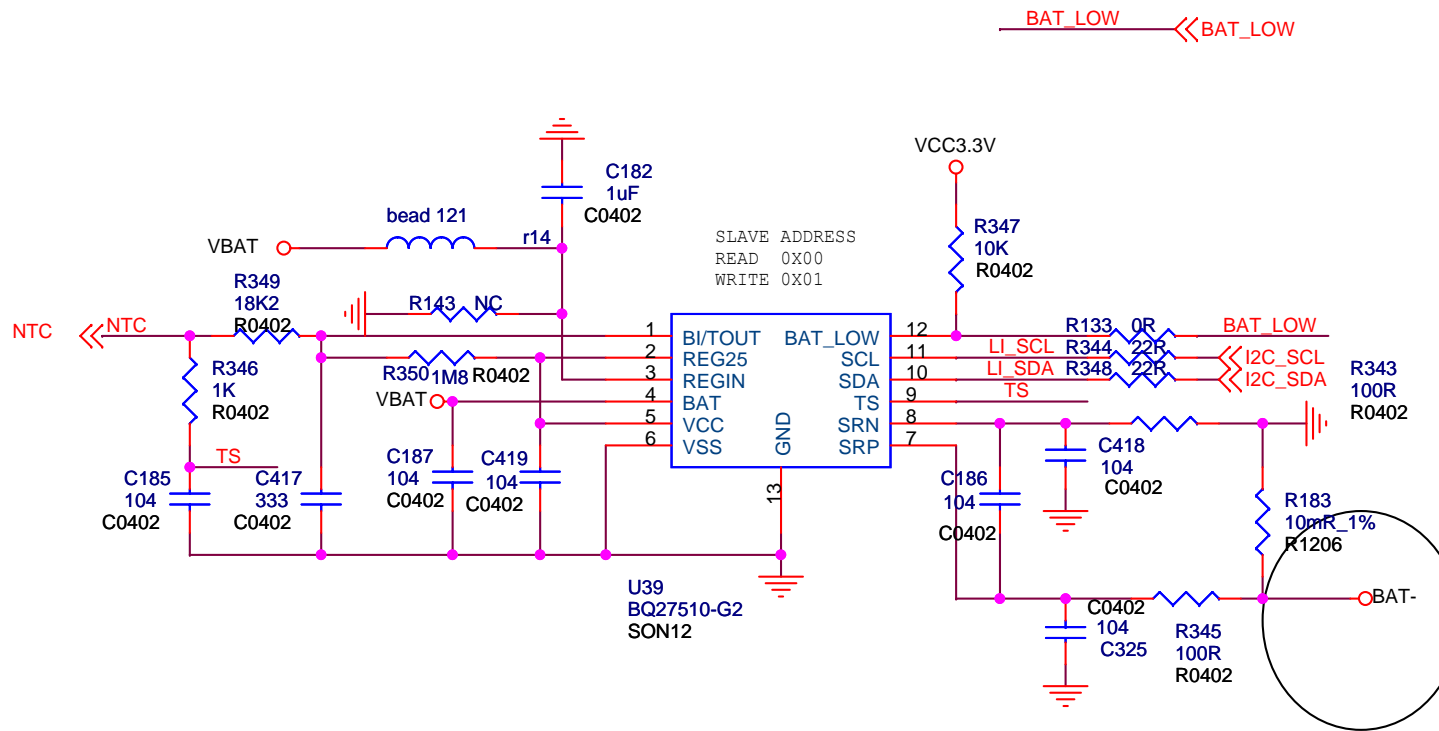
For 3G MODULE/normal max
1.1A (peak max 2.75A)



PTT-726A		
Title 11.3G		
Size B	Document Number M55-V961-113	Rev 113
Date:	Sunday, October 16, 2011	Sheet 11 of 14



PTT-726A		
Title 12.GPS		
Size B	Document Number M55-V961-113	Rev 113
Date:	Sunday, October 16, 2011	Sheet 12 of 14



PTT-726A		
Title		
13.LI BAT		
Size	Document Number	Rev
A	M55-V961-113	113
Date:	Wednesday, September 28, 2011	Sheet 13 of 14

