

# 915MHz Passive antenna report

Client: XIN DI

Project: Lsn50v2

Antenna modification: A0

Preparation Project: Guo Xi (18970988655)

Reviewer: Li Sheng (13683276589)

Date: 2023.09.06

catalogue :

This report is to debug the performance of Lsn50v2, the antenna operating frequency of 915MHzTest the content;

1. Product graphics
2. Test the system
- 3, antenna matching
4. Test results of antenna
  - 4.1 S11 Parameters
  - 4.2 Efficiency Gain
  - 4.3 Two, three-dimensional graphics
5. Conclusion

## 1、 Product graphics

Front  
view



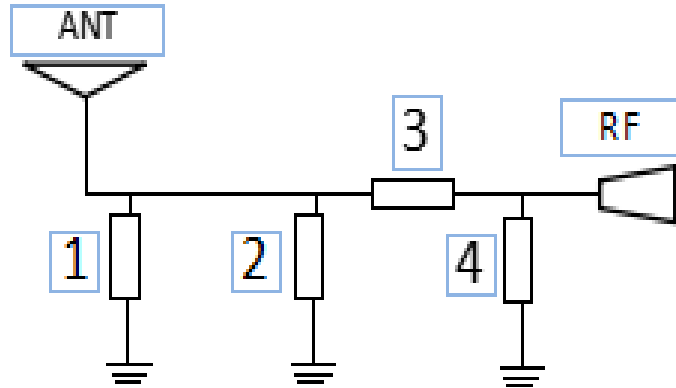
Main  
antenna



## 2、 Test system

<b>Serial number</b>	<b>Testing instrument</b>
S11	Agilent 5071B
OTA	Agilent 5071B & CMW500 & Agilent 8960 &
Gain and efficiency	Agilent 5071B &

### 3、Antenna matching

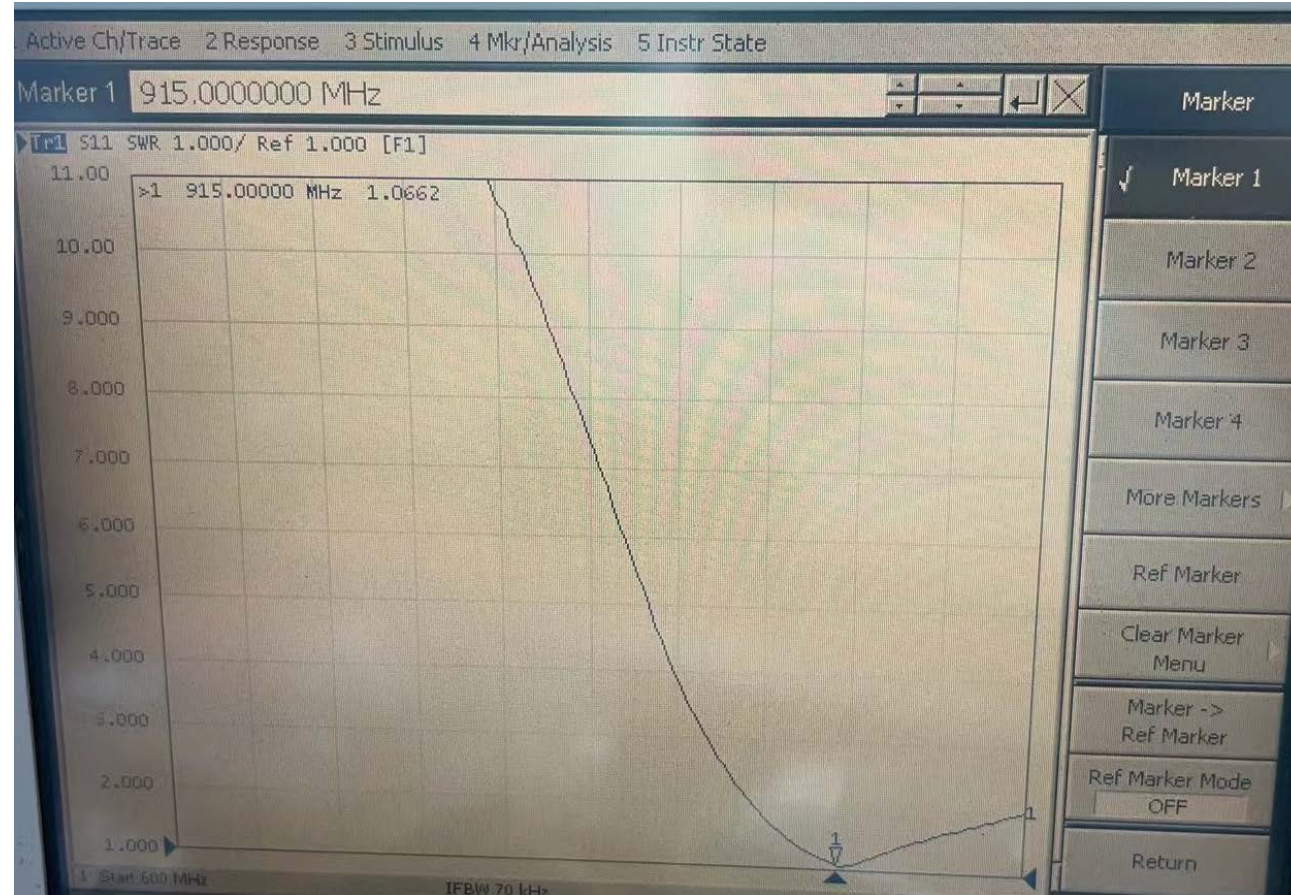


Serial number	capacitance	inductance
1	N/A	N/A
2	N/A	N/A
3	N/A	N/A
4	N/A	N/A

PCB end matching circuit is unchanged

#### 4、 The antenna test results

##### 4.1 S11



Frequency	915
VSWR	1.06

#### 4、 Antenna test result

##### 4.2 Efficiency gain

Frequency (MHz)	Efficiency (%)	Peak GAIN (dBi)
915	63.38	1.19

4、 Antenna test result  
4.3 Two, three-dimensi  
graphics  
915MHz

