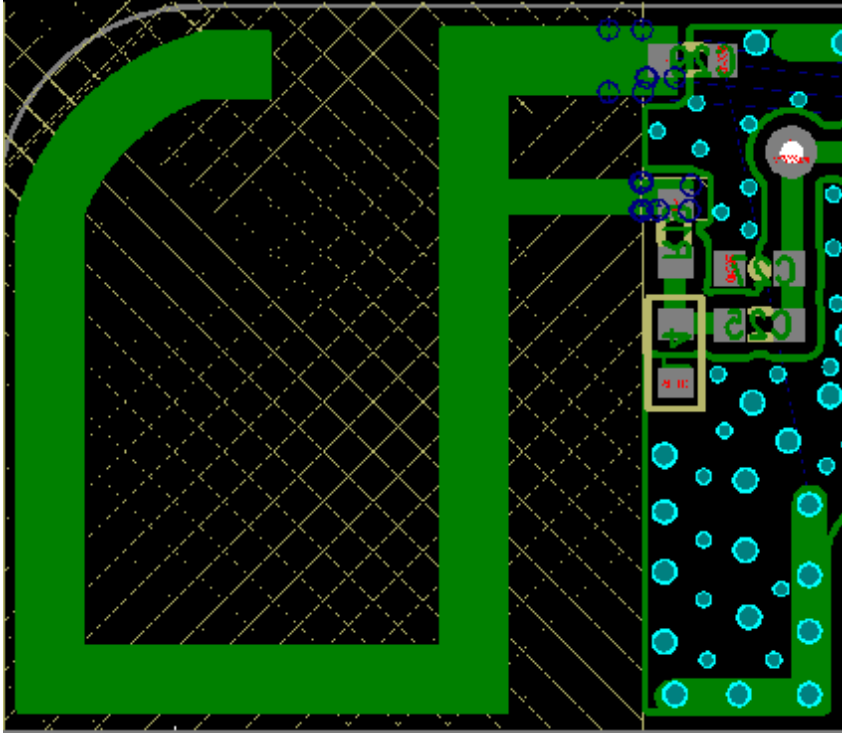


HDT675 Antenna Specification

1. Dimension:

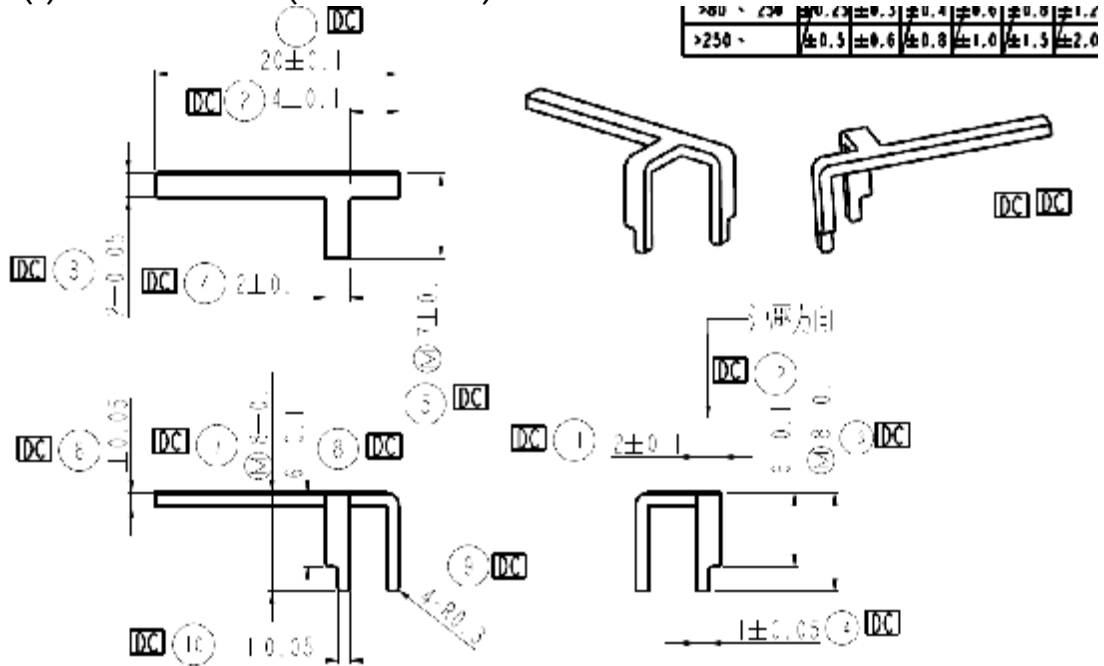
(1) Tx Dongle(Printed antenna)



(2) Rx Headset ANT1(Printed antenna)



(3) Rx Headset ANT1(Metal antenna)



2. Peak gain

(1) Tx Dongle(With Samsung S9)

Frequency (MHz)	2400	2420	2440	2450	2480	2500
Peak EIRP (dBm)	3.44	3.95	4.08	4.05	3.86	3.52
Directivity (dBi)	7.38	7.64	7.76	7.85	7.84	7.76
Gain (dBi)	3.44	3.95	4.08	4.05	3.86	3.52

(2) Rx Headset ANT1(With Human Head)

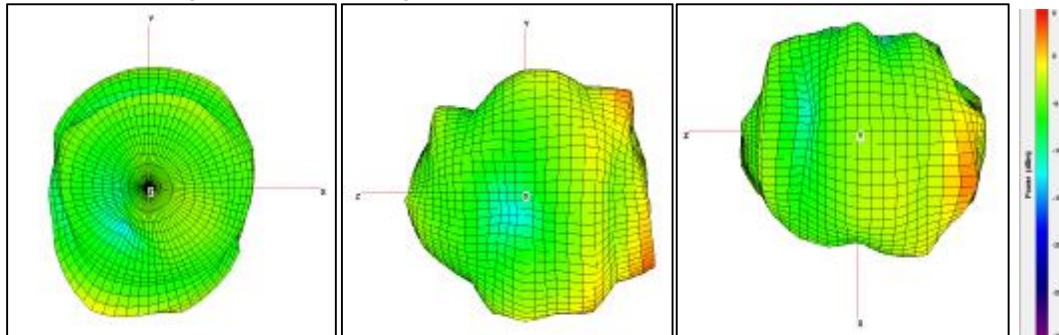
Frequency (MHz)	2400	2420	2440	2450	2480	2500
Peak EIRP (dBm)	0.09	0.54	0.92	1.01	1.38	1.58
Directivity (dBi)	5.00	5.08	5.22	5.29	5.38	5.38
Gain (dBi)	0.09	0.54	0.92	1.01	1.38	1.58

(3) Rx Headset ANT2(With Human Head)

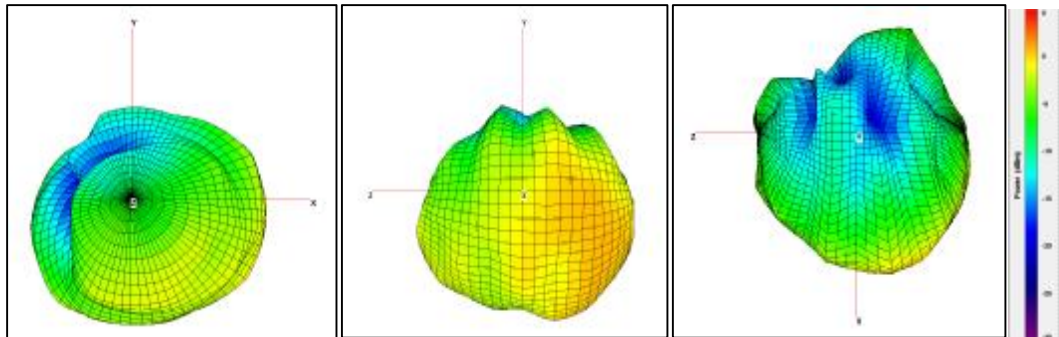
Frequency (MHz)	2400	2420	2440	2450	2480	2500
Peak EIRP (dBm)	-0.92	-0.54	-0.11	-0.07	0.20	0.48
Directivity (dBi)	6.36	6.52	6.80	6.87	6.97	7.08
Gain (dBi)	-0.92	-0.54	-0.11	-0.07	0.20	0.48

3. Antenna 3D radiation pattern

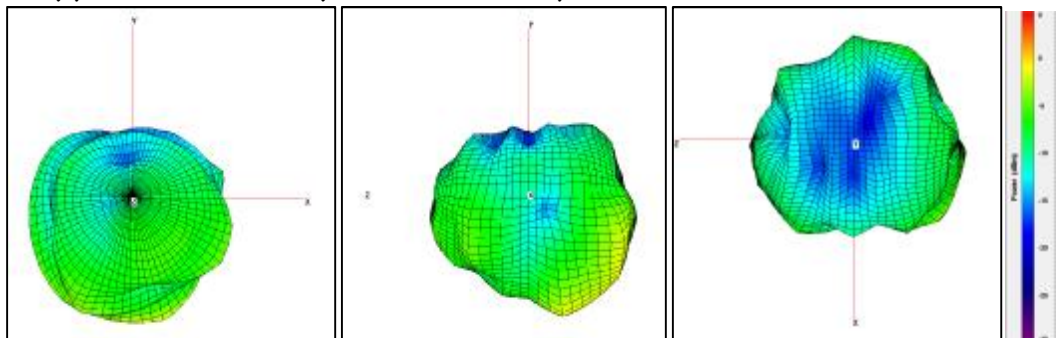
(1) Tx Dongle(With Samsung S9)



(2) Rx Headset ANT1(With Human Head)

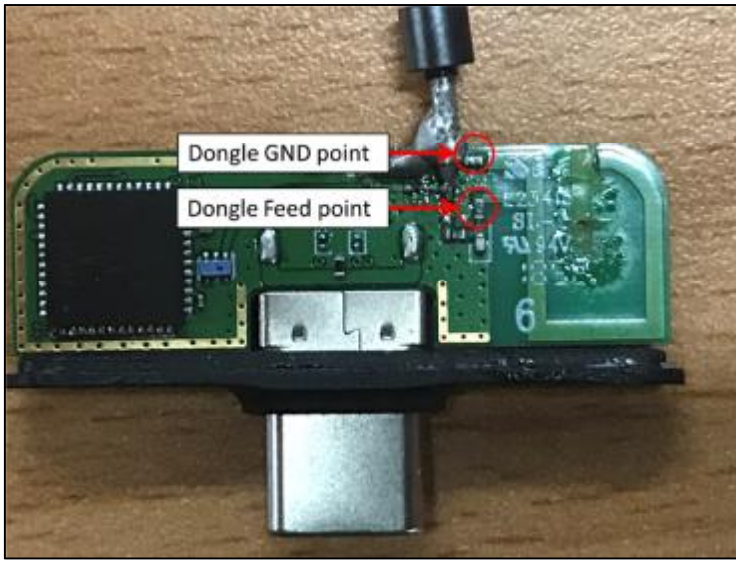


(3) Rx Headset ANT2(With Human Head)



4. Antenna Feeding and Ground Points

(1) Tx Dongle



(2) Rx Headset

