




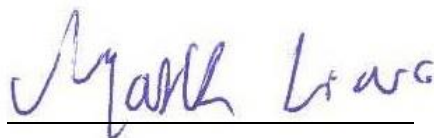
FCC DFS TEST REPORT

Applicant : SteelSeries ApS.
Address : Dirch Passers Allé 27, 5. Sal 2000 Frederiksberg
Denmark.
Equipment : HEADSET
Model No. : HS-00019
Trade Name : 
FCC ID. : ZHK-HS00019

I HEREBY CERTIFY THAT :

The sample was received on Aug. 30, 2018 and the testing was carried out on Jan. 10, 2019 at CerpPASS Technology Corp. The test result refers exclusively to the test presented test model / sample. Without written approval of CerpPASS Technology Corp., the test report shall not be reproduced except in full.

Approved by:



Mark Liao / Supervisor

Tested by:



Spree Yeh / Engineer

Laboratory Accreditation:

CerpPASS Technology Corporation Test Laboratory





CONTENTS

- 1. Summary of Test Procedure and Test Results 4
 - 1.1. Applicable Standards 4
- 2. Test Configuration of Equipment under Test 5
 - 2.1. Feature of Equipment under Test..... 5
 - 2.2. Description of Test System..... 5
 - 2.3. General Information of Test..... 6
 - 2.4. Measurement Uncertainty 6
- 3. Test Equipment and Ancillaries Used for Tests 7
- 4. Antenna Requirements 8
 - 4.1. Standard Applicable 8
 - 4.2. Antenna Construction and Directional Gain..... 8
- 5. Dynamic Frequency Selection 9
 - 5.1. List of Measurement and Examinations 9
 - 5.2. Test Setup 11
 - 5.3. DFS Detection Threshold..... 13
 - 5.4. Channel Availability Check Time 14
 - 5.5. Radar Burst at the Beginning of the Channel Availability Check Time 15
 - 5.6. Radar Burst at the End of the Channel Availability Check Time 16
 - 5.7. U-NII Detection Bandwidth..... 17
 - 5.8. Statistical Performance Check 18
 - 5.9. Uniform Spreading 19
 - 5.10. In-Service Monitoring 20
 - 5.11. Non-Occupancy Period 22
 - 5.12. EUT Setup Photos 24



1. Summary of Test Procedure and Test Results

1.1. Applicable Standards

ANSI C63.4:2014

ANSI C63.10:2013

FCC Rules and Regulations Part 15 Subpart E §15.407

First R&O 14-30

KDB662911

KDB789033

KDB644545

KDB905462

FCC Rule	Description of Test	Result
15.203	Antenna Requirement	PASS
15.407	Dynamic Frequency Selection	PASS



2. Test Configuration of Equipment under Test

2.1. Feature of Equipment under Test

Frequency Range	BT / BLE: 2400-2483.5MHz 802.11g/n: 2400-2483.5MHz 802.11a/n: 5150-5250MHz, 5250-5350MHz, 5470-5725MHz, 5725-5850MHz
Modulation Type	BT: GFSK, $\pi/4$ -DQPSK, 8DPSK BLE: GFSK 802.11g/n/a: BPSK, QPSK, 16QAM, 64QAM
Modulation Technology	FHSS, DTS, DSSS, OFDM
Data Rate	BT: GFSK: 1Mbps, $\pi/4$ -DQPSK: 2Mbps, 8DPSK: 3Mbps BLE: GFSK: 1Mbps WLAN: 802.11g: 6, 9, 12, 18, 24, 36, 48, 54Mbps 802.11n: MCS0 – MCS7, HT20 802.11a: 6, 9, 12, 18, 24, 36, 48, 54Mbps
Antenna Type	PCB Antenna
Antenna Gain	BT/BLE: 2400-2483.5MHz: 3.92dBi 2.4G: 2400-2483.5MHz: 1.85dBi 5150-5250MHz: 3.60dBi 5250-5350MHz: 3.79dBi 5470-5725MHz: 3.62dBi 5725-5850MHz: -0.23dBi

Note:

1. For a more detailed features description, please refer to the manufacturer's specifications or the User's Manual.

2.2. Description of Test System

Device	Manufacturer	Model No.	Description
NB	DELL	LatitudeE5450/5450, TX	Power Cable, Unshielding, 1.8m
Xbox One S (Master Device)	Microsoft	1681	SN:067053773416
Network cable	N/A	N/A	N/A



2.3. General Information of Test

Test Site	Cerpass Technology Corporation Test Laboratory Address: No.10, Ln. 2, Lianfu St., Luzhu Dist., Taoyuan City 33848, Taiwan (R.O.C.) Tel:+886-3-3226-888 Fax:+886-3-3226-881 Address: No.68-1, Shihbachongsi, Shihding Township, New Taipei City 223, Taiwan, R.O.C. Tel: +886-2-2663-8582	
	FCC	TW1079, TW1061, 390316, 228391, 641184
	IC	4934E-1, 4934E-2
	VCCI	T-2205 for Telecommunication test C-4663 for Conducted emission test R-4399, R-4218 for Radiated emission test G-10812, G-10813 for radiated disturbance above 1GHz
Frequency Range Investigated:	Conducted: from 150kHz to 30 MHz Radiation: from 30 MHz to 40,000MHz	
Test Distance:	The test distance of radiated emission from antenna to EUT is 3 M.	

2.4. Measurement Uncertainty

Measurement Item	Uncertainty
Radiated Spurious Emission(9KHz~30MHz)	±5.007dB
Radiated Spurious Emission(30MHz~1GHz)	±5.157dB
Radiated Spurious Emission(1GHz~18GHz)	±6.383dB
Radiated Spurious Emission(18GHz~40GHz)	±6.648dB
Conducted Spurious Emission	±1.253dB
6dB Bandwidth	±6.89%
Power Spectral Density	±0.630dB
26 dB Occupied Bandwidth	±6.10%
Frequency Stability	±375KHz
Channel Frequencies Separation	±6.10%
20dB Bandwidth	±6.12%
Dwell Time	±1.34%
Peak Output Power(Conducted Power Meter)	±0.86dB
Temperature	±1.2°C
Humidity	±2.7%
Channel Move Time	±4.53%
Channel Closing Transmission Time	±6.61%
Threshold	±0.631dB
Non occupancy period	±1.17%



3. Test Equipment and Ancillaries Used for Tests

Instrument	Manufacturer	Model No.	Serial No.	Calibration Date	Valid Date
Bilog Antenna	Schwarzbeck	VULB9168	275	2018/09/17	2019/09/16
Active Loop Antenna	EMCO	6507	40855	2018/05/22	2019/05/21
Horn Antenna	EMCO	3115	31589	2018/04/02	2019/04/01
Horn Antenna	EMCO	3116	31974	2018/09/07	2019/09/06
EMI Receiver	ROHDE & SCHWARZ	ESCI 3	101402	2018/02/23	2019/02/22
Spectrum Analyzer	ROHDE & SCHWARZ	FSP40	100047	2018/03/20	2019/03/19
CAX Signal Analyzer	KEYSIGHT	N9000B	MY57100339	2018/11/20	2019/11/19
Preamplifier	EM Electronics corp.	EM330	60660	2018/03/08	2019/03/07
Preamplifier	EMC INSTRUMENTS	EMC051845SE	980333	2018/09/18	2019/09/17
BLUETOOTH TESTER	ROHDE & SCHWARZ	CBT	101133	2018/04/02	2019/04/01
Cable-3in1-(30M-1G)	HARBOUR INDUSTRIES	LL142	CCE1315	2018/04/20	2019/04/19
Cable-0.5m-(1G-40G)	Rapidtek	40GHZ 50CM	38MS-38MS50314	2018/03/27	2019/03/26
Cable-1m-(1G-40G)	Rapidtek	40GHZ 300CM	38MS-38MS300314	2018/03/27	2019/03/26
Cable-6m-(1G-40G)	Rapidtek	40GHZ 800CM	38MS-38MS800314	2018/03/27	2019/03/26
E3	AUDIX	v8.2014-8-6	RK-000529	NA	NA
Spectrum Analyzer	ROHDE & SCHWARZ	FSP40	100219	2018/07/03	2019/07/02
BLUETOOTH TESTER	ROHDE & SCHWARZ	CBT	101133	2018/04/02	2019/04/01
Attenuator	KEYSIGHT	8491B	MY39250705	2018/09/04	2019/09/03
TEMP & HUMIDITY CHAMBER	T-MACHINE	TMJ-9712	T-12-040111	2018/08/30	2019/08/29
Power Sensor	Anritsu	MA2411B	1207295	2018/03/23	2019/03/22
EMI Receiver	ROHDE & SCHWARZ	ESCI 3	100443	2018/3/15	2019/3/14
Line Impedance Stabilization Network	Schwarzbeck	NSLK 8127	8127-740	2018/6/13	2019/6/12
Pulse Limiter	ROHDE & SCHWARZ	ESH3-Z2	101933	2018/9/4	2019/9/3
E3	AUDIX	v8.2014-8-6	RK-000531	NA	NA



4. Antenna Requirements

4.1. Standard Applicable

For intentional device, according to FCC 47 CFR Section 15.203, an intentional radiator shall be designed to ensure that no antenna other than that furnished by the responsible party shall be used with the device.

And according to FCC 47 CFR Section 15.407 (a), if transmitting antennas of directional gain greater than 6dBi are used, the power shall be reduced by the amount in dB that the directional gain of the antenna exceeds 6dBi.

4.2. Antenna Construction and Directional Gain

Antenna Type	PCB Antenna
Antenna Gain	2400-2483.5MHz: 1.85dBi 5150-5250MHz: 3.60dBi 5250-5350MHz: 3.79dBi 5470-5725MHz: 3.62dBi 5725-5850MHz: -0.23dBi

2412-2462MHz

For Power directional gain= G_{ant} = 1.85 dBi

For PSD directional gain = G_{ant} = 1.85 dBi

5150MHz-5250MHz

For Power directional gain= G_{ant} = 3.6 dBi

For PSD directional gain = G_{ant} = 3.6 dBi

5250MHz-5350MHz

For Power directional gain= G_{ant} = 3.79 dBi

For PSD directional gain = G_{ant} = 3.79 dBi

5470MHz-5725MHz

For Power directional gain= G_{ant} = 3.62 dBi

For PSD directional gain = G_{ant} = 3.62 dBi

5725MHz -5850MHz

For Power directional gain= G_{ant} = -0.23 dBi

For PSD directional gain = G_{ant} = -0.23 dBi



5. Dynamic Frequency Selection

5.1. List of Measurement and Examinations

EUT Applicability of DFS requirements and Frequency Range

Operation Mode		Operating Frequency Range	
		5250-5350MHz	5470-5725MHz (5600MHz-5650MHz will be disable)
Master	--	--	--
Client without radar detection	√	√	√
Client with radar detection	--	--	--

DEVICES WITH RADAR DETECTION

MAXIMUM TRANSMIT POWER	VALUE (SEE Note 1 and 2)
≥ 200 milliwatt	-64 dBm
EIRP < 200 milliwatt and power spectral density < 10 dBm/MHz	-62 dBm
EIRP < 200 milliwatt that do not meet the power spectral density requirement	-64 dBm

Note 1: This is the level at the input of the receiver assuming a 0 dBi receive antenna.
 Note 2: Throughout these test procedures an additional 1 dB has been added to the amplitude of the test transmission waveforms to account for variations in measurement equipment. This will ensure that the test signal is at or above the detection threshold level to trigger a DFS response.
 Note3: EIRP is based on the highest antenna gain. For MIMO devices refer to KDB Publication 662911

Table1: Applicability of DFS requirements prior to use of a channel

REQUIREMENT RADAR	OPERATIONAL MODE		
	MASTER	CLIENT WITHOUT RADAR DETECTION	CLIENT WITH RADAR DETECTION
Non-Occupancy Period	V	V ^{Note}	V
DFS Detection Threshold	V	Not required	V
Channel Availability Check Time	V	Not required	Not required
U-NII Detection Bandwidth	V	Not required	V

Note: Regarding KDB 905462 D03 Client Without DFS New Rules section (b)(5/6),
 If the client moves with the master, the device is considered compliant if nothing appears in the client non-occupancy period test. For devices that shut down (rather than moving channels), no beacons should appear. An analyzer plot that contains a single 30-minute sweep on the original channel.

Note: EUT Version: R00012



Table2: Applicability of DFS requirements during normal operation

REQUIREMENT RADAR	OPERATIONAL MODE		
	MASTER	CLIENT WITHOUT RADAR DETECTION	CLIENT WITH RADAR DETECTION
DFS Detection Threshold	√	Not required	√
Channel Closing Transmission Time	√	√	√
Channel Move Time	√	√	√
U-NII Detection Bandwidth	√	Not required	√

Additional requirements for devices with multiple bandwidth modes	Master or Client with radar detection	Client without radar detection
U-NII Detection Bandwidth and Statistical Performance Check	All BW modes must be tested	Not required
Channel Move Time and Channel Closing Transmission Time	Test using widest BW mode available	Test using the widest BW mode available for the link
All other	Any single BW mode	Not required

Note: Frequencies selected for statistical performance check (Section 7.8.4) should include several frequencies within the radar detection bandwidth and frequencies near the edge of the radar detection bandwidth. For 802.11 devices it is suggested to select frequencies in each of the bonded 20 MHz channels and the channel center frequency.



5.2. Test Setup

Setup for Master with injection at the Master

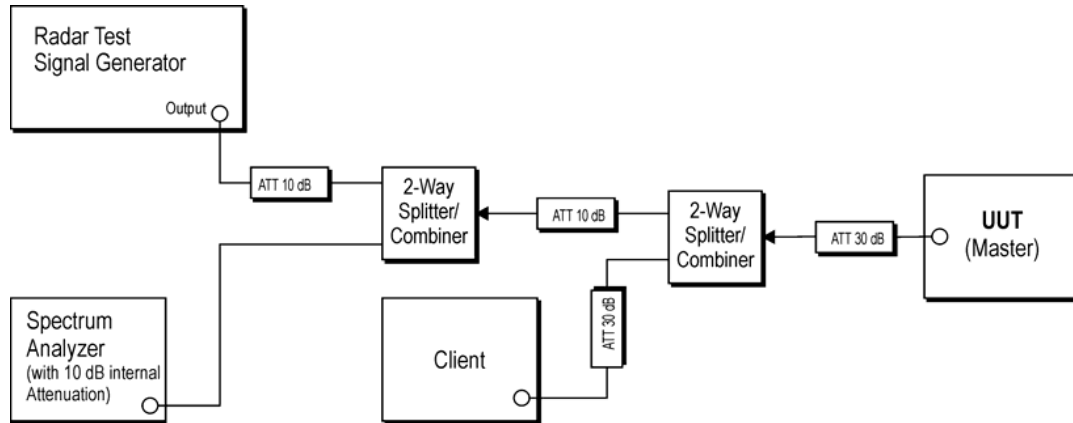


Figure 1: Example Conducted Setup where UUT is a Master and Radar Test Waveforms are injected into the Master

Setup for Client with injection at the Master

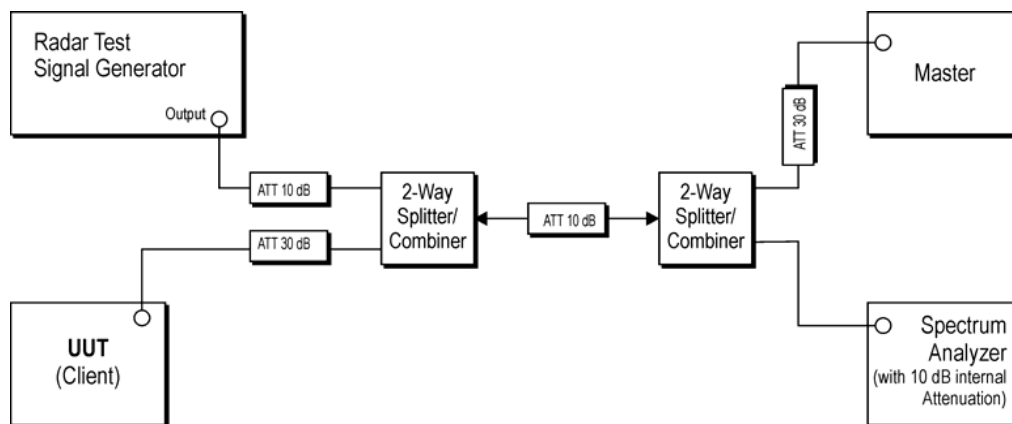


Figure 2: Example Conducted Setup where UUT is a Client and Radar Test Waveforms are injected into the Master



Setup for Client with injection at the Client

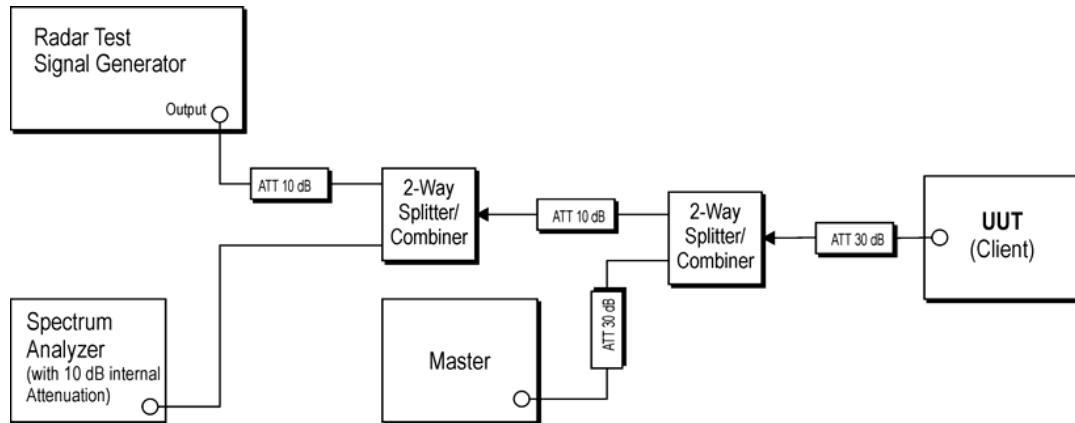


Figure 3: Example Conducted Setup where UUT is a Client and Radar Test Waveforms are injected into the Client



5.3. DFS Detection Threshold

DFS Detection Threshold is the level used by the DFS mechanism to detect radar interference.

5.3.1. Test Limit

Limits Clause 4.7.2.1.2

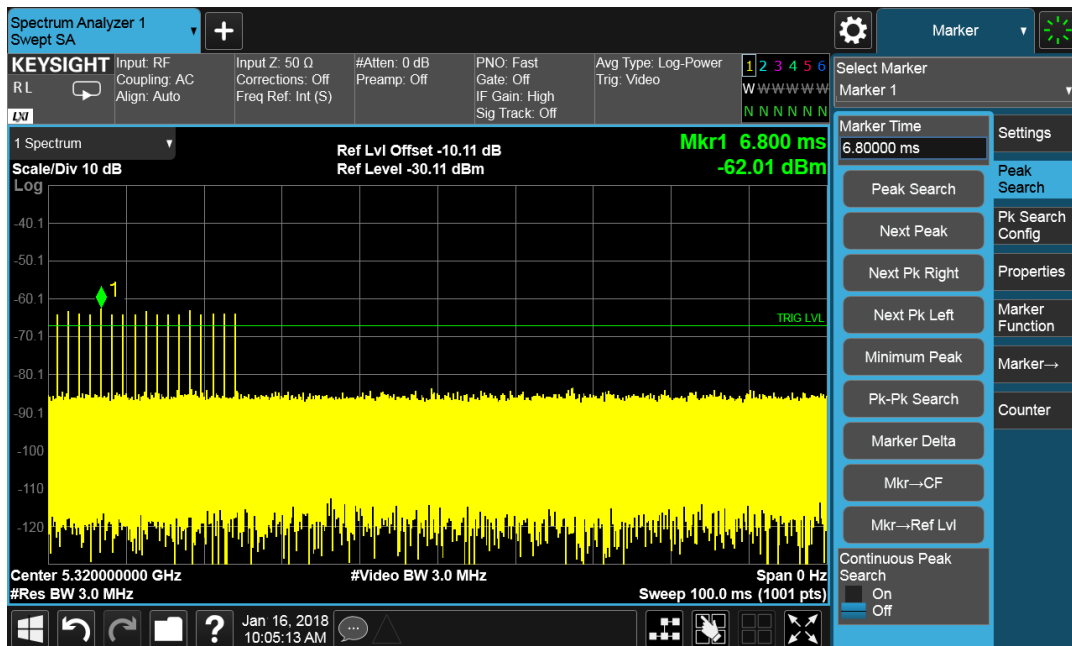
DFS Detection Thresholds for Master Devices and Client Devices with Radar Detection

MAXIMUM TRANSMIT POWER	VALUE (SEE Note 1 and 2)
≥ 200 milliwatt	-64 dBm
EIRP < 200 milliwatt and power spectral density < 10 dBm/MHz	-62 dBm
EIRP < 200 milliwatt that do not meet the power spectral density requirement	-64 dBm

Note 1: This is the level at the input of the receiver assuming a 0 dBi receive antenna.
 Note 2: Throughout these test procedures an additional 1 dB has been added to the amplitude of the test transmission waveforms to account for variations in measurement equipment. This will ensure that the test signal is at or above the detection threshold level to trigger a DFS response.
 Note3: EIRP is based on the highest antenna gain. For MIMO devices refer to KDB Publication 662911

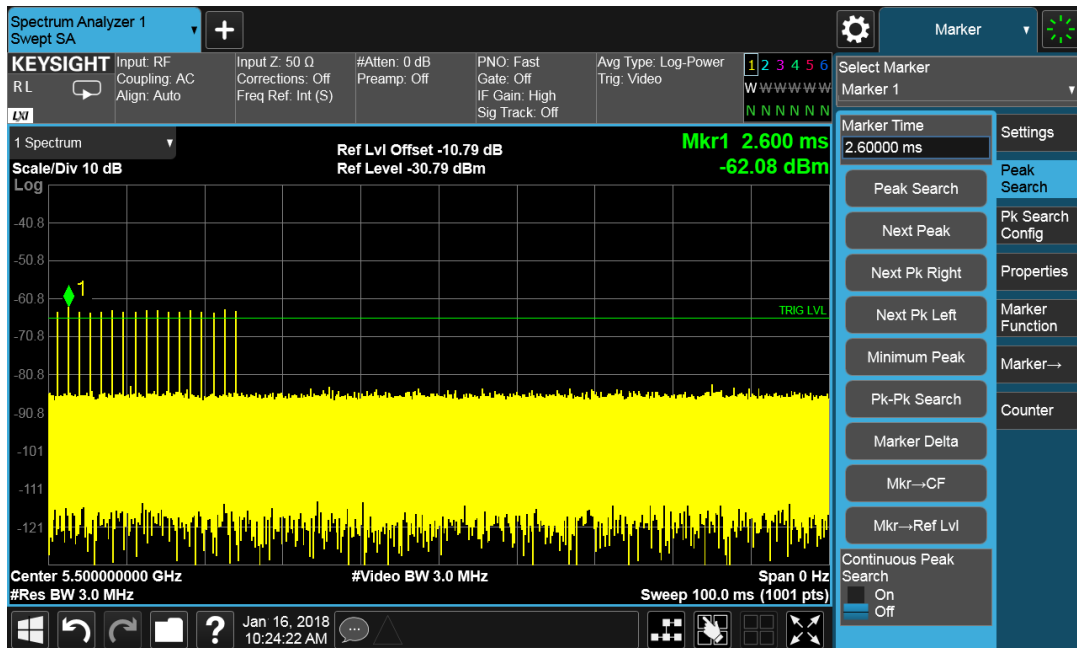
5.3.2. Test Result of DFS Detection Threshold

EIRP < 200 milliwatt and power spectral density < 10 dBm/MHz,
Radar 0 VALUE -62dBm
5320MHz





EIRP < 200 milliwatt and power spectral density < 10 dBm/MHz,
Radar 0 VALUE -62dBm
5500MHz



5.4. Channel Availability Check Time

The Channel Availability Check is defined as the mechanism by which an RLAN device checks a channel for the presence of radar signals.

There shall be no transmissions by the device within the channel being checked during this process. If no radars have been detected, the channel becomes an Available Channel valid for a period of time.

The RLAN shall only start transmissions on Available Channels.

At power-up, the RLAN is assumed to have no Available Channels.

5.4.1. Test Limit

Limits Clause 4.7.2.1.2

Table D.2: DFS requirement values

Parameter	Value
Channel Availability Check	> 60s

5.4.2. Test Result of Channel Availability Check

Not required



5.5. Radar Burst at the Beginning of the Channel Availability Check Time

The steps below define the procedure to verify successful radar detection on the test Channel during a period equal to the Channel Availability Check Time and avoidance of operation on that Channel when a radar Burst with a level equal to the DFS Detection Threshold + 1 dB occurs at the beginning of the Channel Availability Check Time. This is illustrated in **Figure 15**.

- a) The Radar Waveform generator and UUT are connected using the applicable test setup described in the sections on configuration for Conducted Tests or Radiated Tests and the power of the UUT is switched off.
- b) The UUT is powered on at T_0 . T_1 denotes the instant when the UUT has completed its power-up sequence (T_{power_up}). The Channel Availability Check Time commences on Chr at instant T_1 and will end no sooner than $T_1 + T_{ch_avail_check}$.
- c) A single Burst of one of the Short Pulse Radar Types 0-4 will commence within a 6 second window starting at T_1 . An additional 1 dB is added to the radar test signal to ensure it is at or above the DFS Detection Threshold, accounting for equipment variations/errors.
- d) Visual indication or measured results on the UUT of successful detection of the radar Burst will be recorded and reported. Observation of Chr for UUT emissions will continue for 2.5 minutes after the radar Burst has been generated.
- e) Verify that during the 2.5 minute measurement window no UUT transmissions occurred on Chr. The Channel Availability Check results will be recorded.

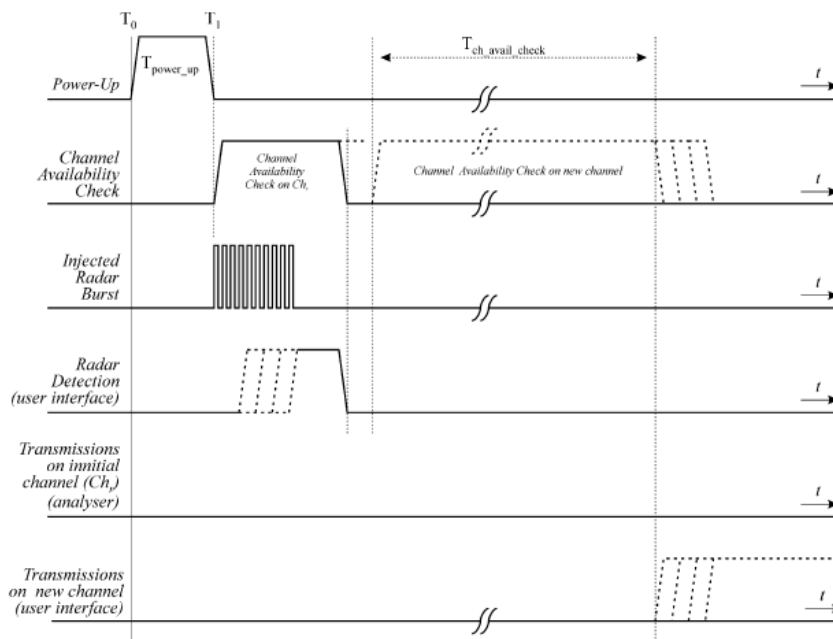


Figure 15: Example of timing for radar testing at the beginning of the Channel Availability Check Time

5.5.1. Test Result of radar burst at the beginning of the Channel Availability Check Time

Not required



5.6. Radar Burst at the End of the Channel Availability Check Time

The steps below define the procedure to verify successful radar detection on the test Channel during a period equal to the Channel Availability Check Time and avoidance of operation on that Channel when a radar Burst with a level equal to the DFS Detection Threshold + 1dB occurs at the end of the Channel Availability Check Time. This is illustrated in **Figure 16**.

- a) The Radar Waveform generator and UUT are connected using the applicable test setup described in the sections for Conducted Tests or Radiated Tests and the power of the UUT is switched off.
- b) The UUT is powered on at T_0 . T_1 denotes the instant when the UUT has completed its power-up sequence (T_{power_up}). The Channel Availability Check Time commences on Chr at instant T_1 and will end no sooner than $T_1 + T_{ch_avail_check}$.
- c) A single Burst of one of the Short Pulse Radar Types 0-4 will commence within a 6 second window starting at $T_1 + 54$ seconds. An additional 1 dB is added to the radar test signal to ensure it is at or above the DFS Detection Threshold, accounting for equipment variations/errors.
- d) Visual indication or measured results on the UUT of successful detection of the radar Burst will be recorded and reported. Observation of Chr for UUT emissions will continue for 2.5 minutes after the radar Burst has been generated.
- e) Verify that during the 2.5 minute measurement window no UUT transmissions occurred on Chr. The Channel Availability Check results will be recorded.

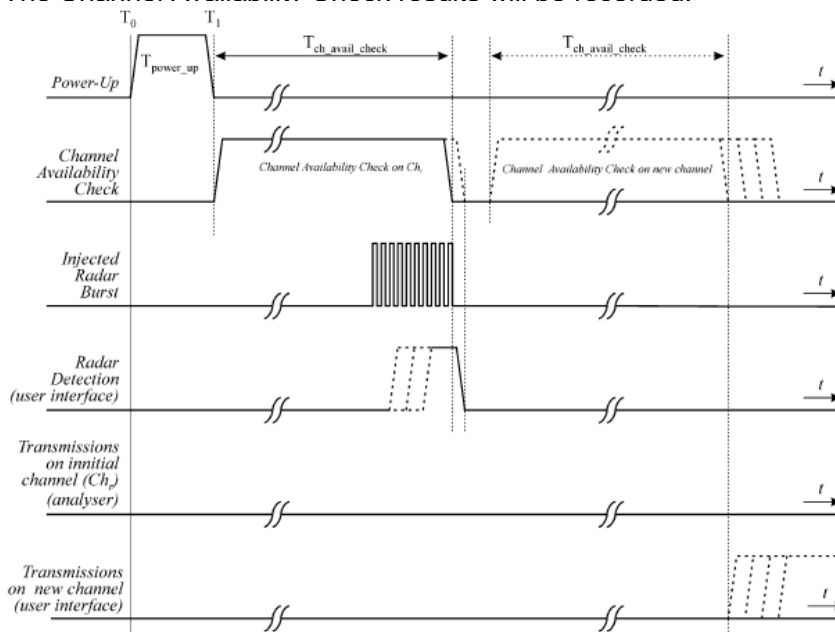


Figure 16: Example of timing for radar testing towards the end of the Channel Availability Check Time

5.6.1. Test Result of radar burst at the end of the Channel Availability Check Time

Not required



5.7. U-NII Detection Bandwidth

Additional requirements for devices with multiple bandwidth modes	Master or Client with radar detection	Client without radar detection
U-NII Detection Bandwidth and Statistical Performance Check	All BW modes must be tested	Not required
Note: Frequencies selected for statistical performance check (Section 7.8.4) should include several frequencies within the radar detection bandwidth and frequencies near the edge of the radar detection bandwidth. For 802.11 devices it is suggested to select frequencies in each of the bonded 20 MHz channels and the channel center frequency.		

5.7.1. Test Limit

Limits Clause 4.7.2.1.2 Table D.2: DFS requirement values

Parameter	Value
U-NII Detection Bandwidth	Minimum 100% of the U-NII 99% transmission
Note : During the U-NII Detection Bandwidth detection test, radar type 0 should be used. For each frequency step the minimum percentage of detection is 90 percent. Measurements are performed with no data traffic.	

5.7.2. Test Result of U-NII Detection Bandwidth

Not required



5.8. Statistical Performance Check

The UUT will select channel by random mode and remember this channel when detect radar signal, so that will select unused channel by random mode.

5.8.1. Test Result of Uniform Spreading

Not required



5.9. Uniform Spreading

The UUT will select channel by random mode and remember this channel when detect radar signal, so that will select unused channel by random mode.

5.9.1. Test Result of Uniform Spreading

Not required



5.10. In-Service Monitoring

The In-Service Monitoring is defined as the process by which an RLAN monitors the Operating Channel for the presence of radar signals.

Additional requirements for devices with multiple bandwidth modes	Master or Client with radar detection	Client without radar detection
U-NII Detection Bandwidth and Statistical Performance Check	All BW modes must be tested	Not required
Channel Move Time and Channel Closing Transmission Time	Test using widest BW mode available	Test using the widest BW mode available for the link
All other	Any single BW mode	Not required
Note: Frequencies selected for statistical performance check (Section 7.8.4) should include several frequencies within the radar detection bandwidth and frequencies near the edge of the radar detection bandwidth. For 802.11 devices it is suggested to select frequencies in each of the bonded 20 MHz channels and the channel center frequency.		

5.10.1. Test Limit

Parameter	Value
Channel Move Time	< 10 s (See Note 1)
Channel Closing Transmission Time	< 200 ms+ an aggregate of 60 milliseconds over remaining 10 second period. (See Notes 1 and Notes 2.)
<p>Note 1: Channel Move Time and the Channel Closing Transmission Time should be performed with Radar Type 0. The measurement timing begins at the end of the Radar Type 0 burst.</p> <p>Note 2: The Channel Closing Transmission Time is comprised of 200 milliseconds starting at the beginning of the Channel Move Time plus any additional intermittent control signals required to facilitate a Channel move (an aggregate of 60 milliseconds) during the remainder of the 10 second period. The aggregate duration of control signals will not count quiet periods in between transmissions.</p>	

Limits Clause 4.7.2.2.2

The In-Service Monitoring shall be used to continuously monitor an Operating Channel.

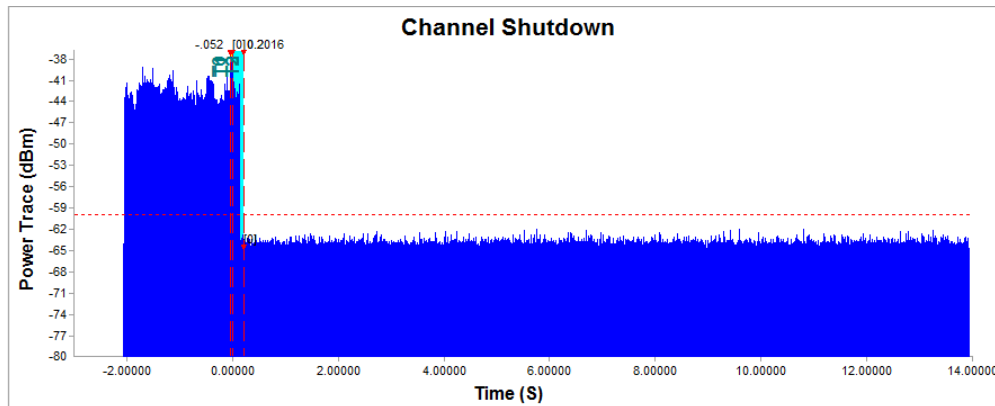
The In-Service-Monitoring shall start immediately after the RLAN has started transmissions on an Operating Channel.



5.10.2. Test Result of In-Service Monitoring

Bandwidth 20MHz
Channel 64

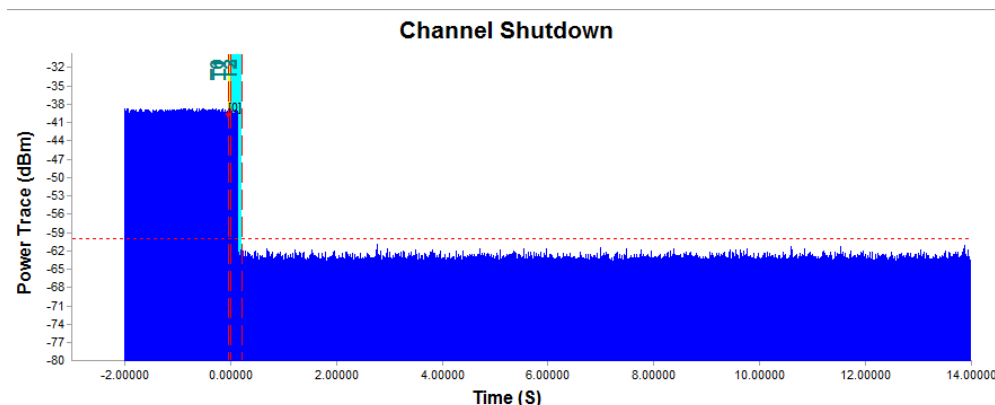
	Value	Limit
Channel Move Time	0	<10 s
Channel Closing Transmission Time	0	< 200 ms



Time Index Info		
T0 : -0.0520 S (Radar Injection Start)	Time Per Bin: 0 Bins	Channel Move Time: 0.0 S
T1 : 0.0000 S (Radar Injection Stop)	T2~T3 Bins Over Threshold: = 0 Bins	Channel Close Time: 0.0 S
T2 : 0.2000 S (200msec Interval)		
T3 : 0.2016 S (Channel Move Time)		

Channel 100

	Value	Limit
Channel Move Time	0	<10 s
Channel Closing Transmission Time	0	< 200 ms



Time Index Info		
T0 : -2.0155 S (Radar Injection Start)	Time Per Bin: 0 Bins	Channel Move Time: 0.0 S
T1 : 0.0000 S (Radar Injection Stop)	T2~T3 Bins Over Threshold: = 0 Bins	Channel Close Time: 0.0 S
T2 : 0.2000 S (200msec Interval)		
T3 : 0.1300 S (Channel Move Time)		



5.11. Non-Occupancy Period

The Channel Shutdown is defined as the process initiated by the RLAN device immediately after a radar signal has been detected on an Operating Channel.

The master device shall instruct all associated slave devices to stop transmitting on this channel, which they shall do within the Channel Move Time.

Slave devices with a Radar Interference Detection function, shall stop their own transmissions within the Channel Move Time.

The aggregate duration of all transmissions of the RLAN device on this channel during the Channel Move Time shall be limited to the Channel Closing Transmission Time. The aggregate duration of all transmissions shall not include quiet periods in between transmissions.

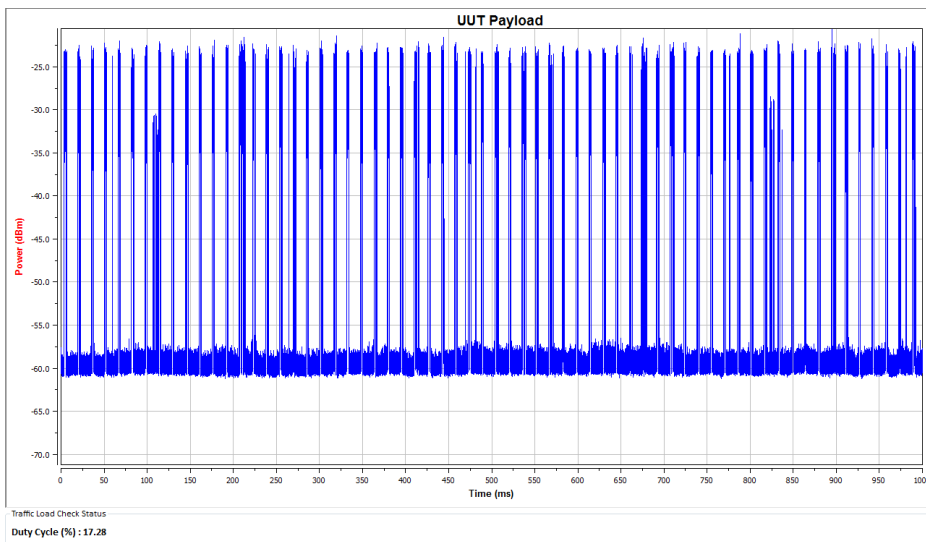
5.11.1. Test Limit

Radar Test Signal	Master (min)	Client (min)
0	> 30	> 30

5.11.2. Channel Loading

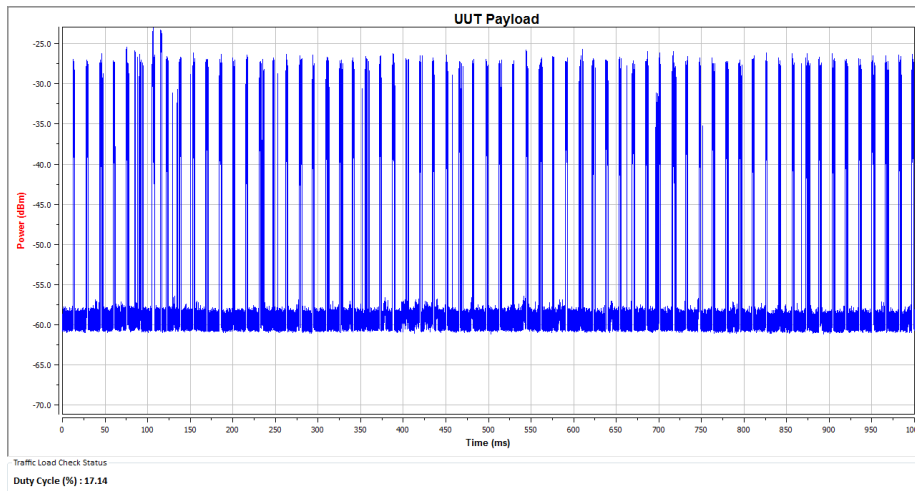
Timing plots are required with calculations demonstrating a minimum channel loading of approximately 17% or greater. For example, channel loading can be estimated by setting the spectrum analyzer for zero span and approximate the Time On/ (Time On + Off Time). This can be done with any appropriate channel BW and modulation type

Modulation Standard:
5320MHz
Channel loading=17.28%





5500MHz
Channel loading=17.14%



5.11.3. Test Result of Non-Occupancy Period

Not required