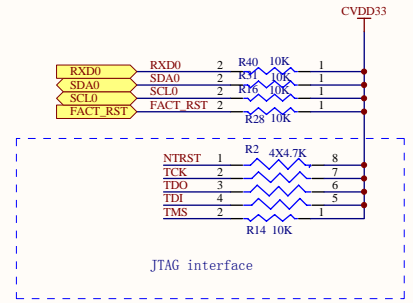
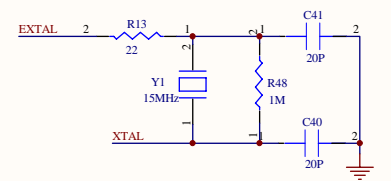
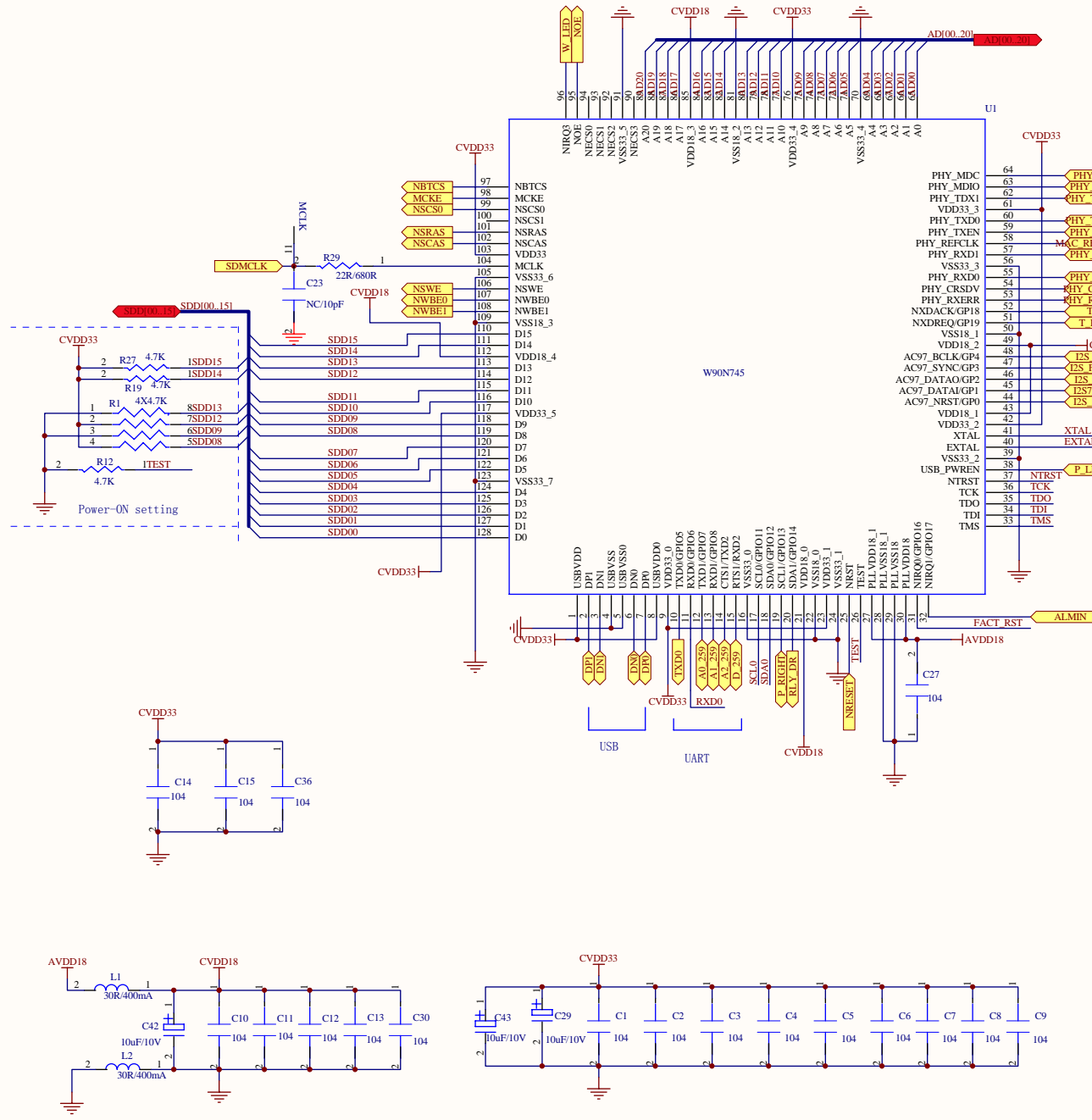
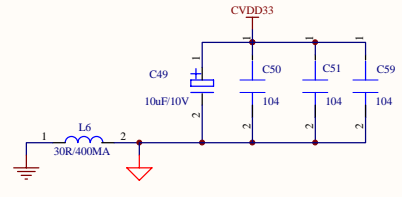
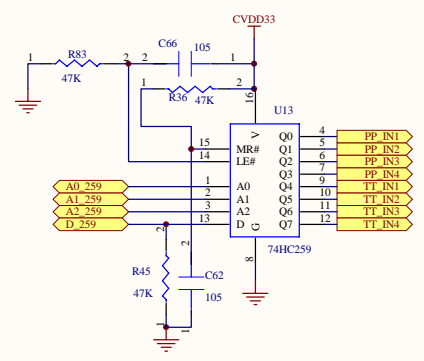
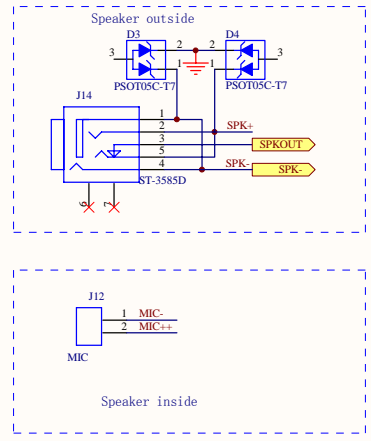
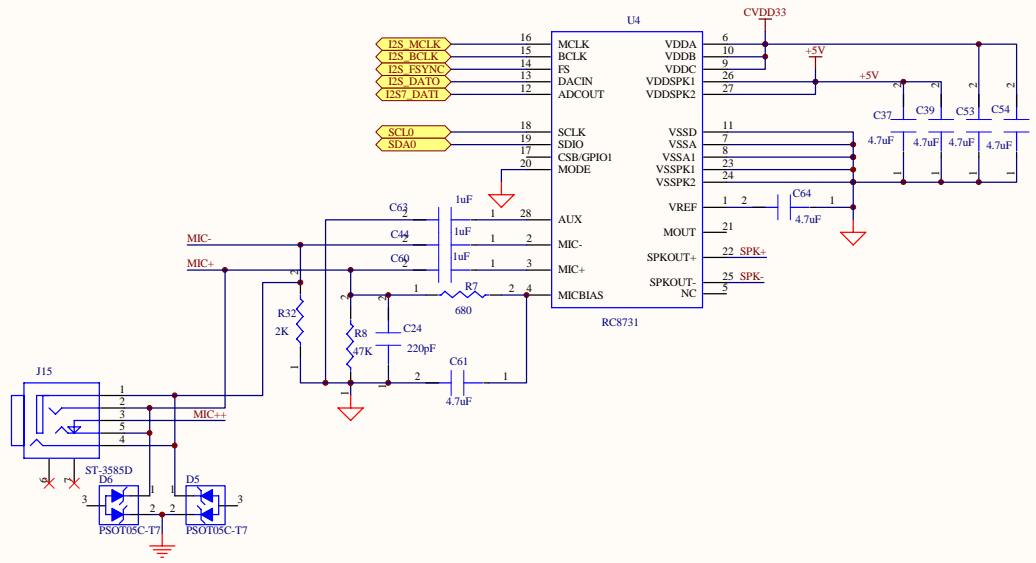


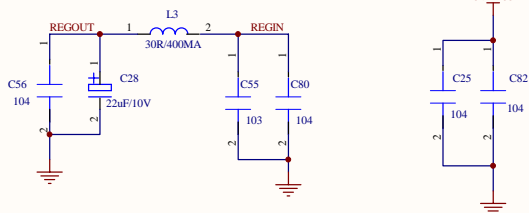
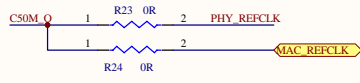
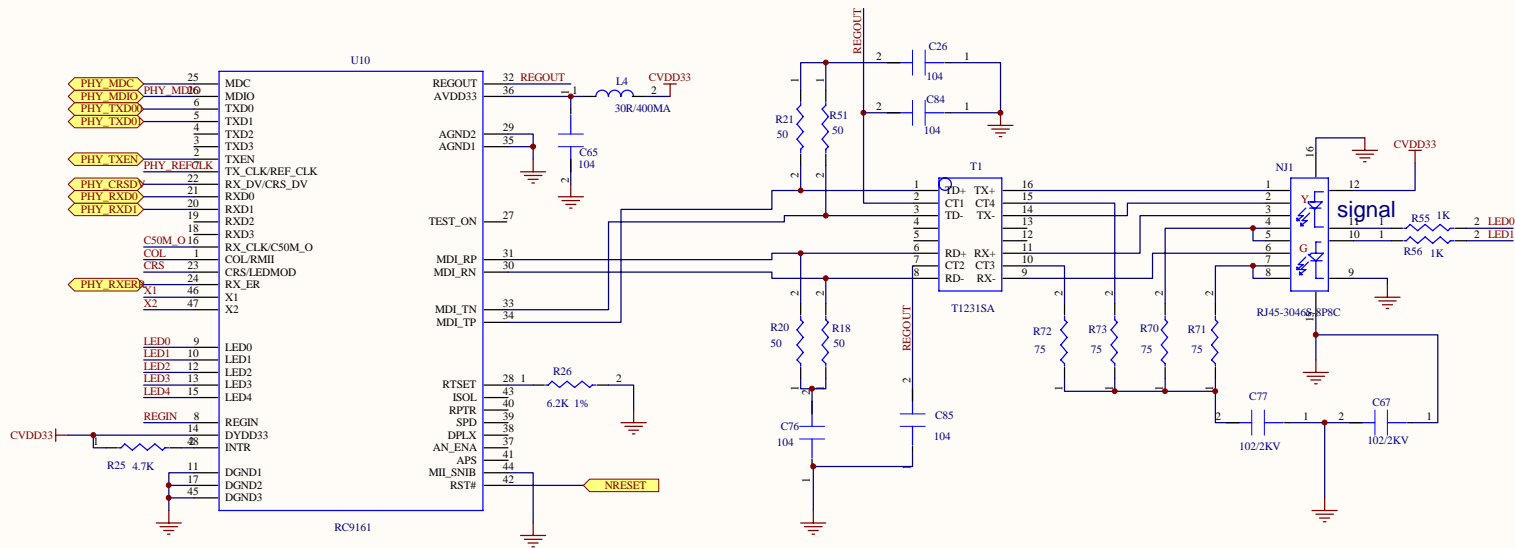
COMPANY:			
Foscarm Intelligent Technology Co.,LTD			
TITLE:			
SUM			
SCALE:	SIZE:	PROJECT NAME:	REV:
	A3	F18910W-MAIN	V1.4
DATE:		SHEET: 0 OF 5	
2011/07/29			



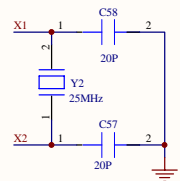
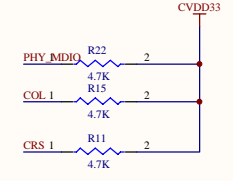
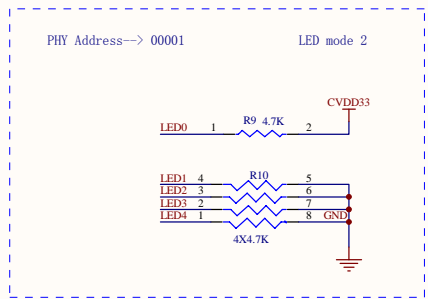
COMPANY:			
Foscam Intelligent Technology Co.,LTD			
TITLE:			
MPU-W90N745			
SCALE:	SIZE:	PROJECT NAME:	REV:
	A3	F18910W-MAIN	V1.4
DATE:	2011/07/29		SHEET: 1 OF 5



COMPANY:			
Foscem Intelligent Technology Co.,LTD			
TITLE:			
AUDIO			
SCALE:	SIZE:	PROJECT NAME:	REV:
	A3	FIS910W-MAIN	V1.4
DATE:		SHEET: 5 OF 5	
2011/07/29			

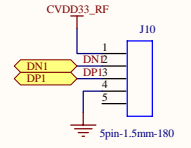
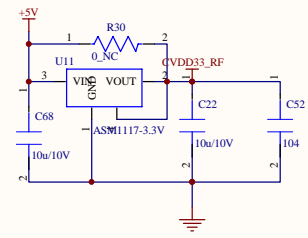
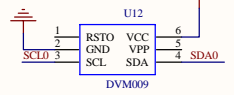
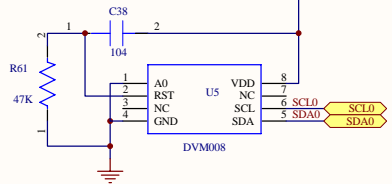
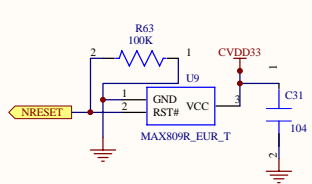


Power-on Settings & LED display

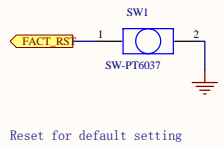
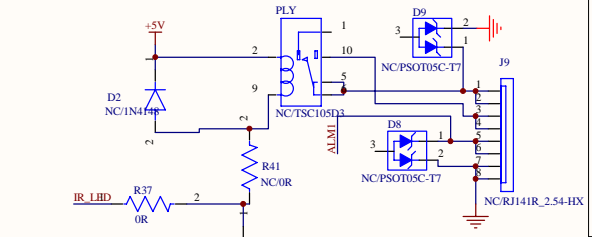
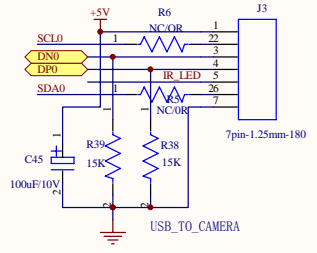
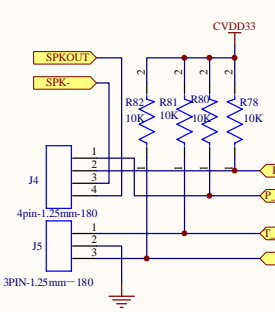
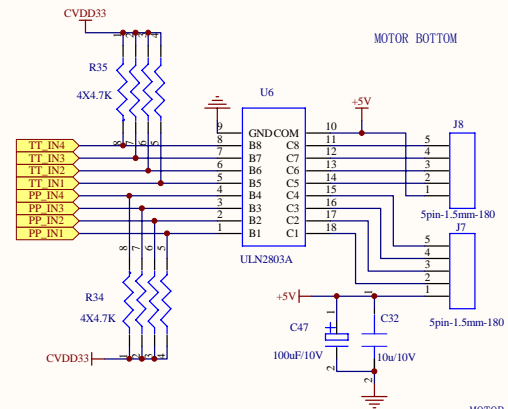


COMPANY:			
Foscarn Intelligent Technology Co.,LTD			
TITLE:			
ETHERNET			
SCALE:	SIZE:	PROJECT NAME:	REV:
	A3	F18910W-MAIN	V1.4
DATE:		SHEET: 3 OF 5	
2011/07/29			

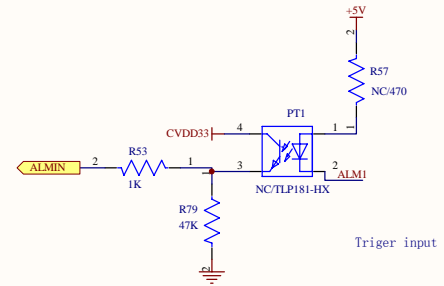
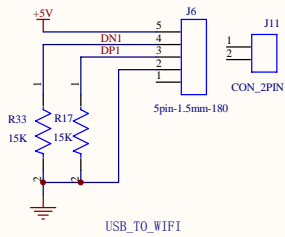
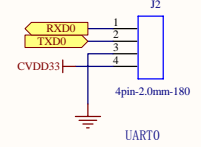
RESET & WATCHDOG



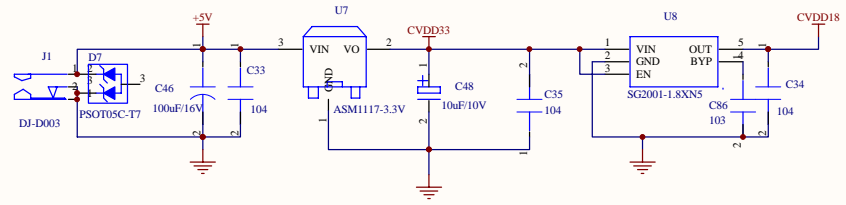
Holder for RF module



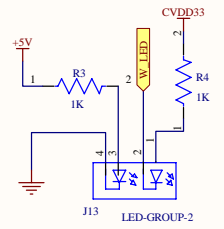
Reset for default setting



Triger input

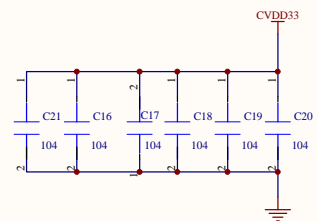
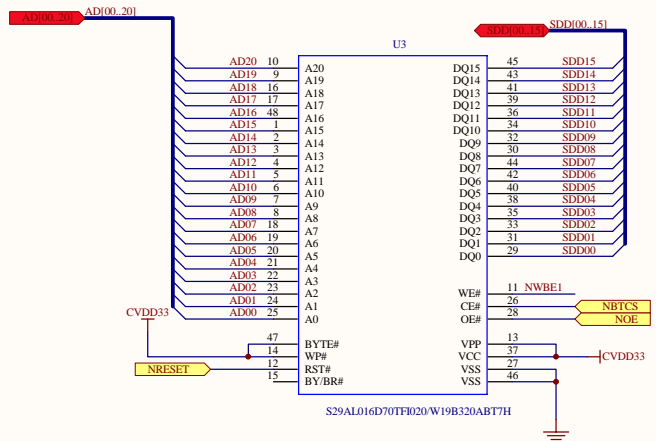
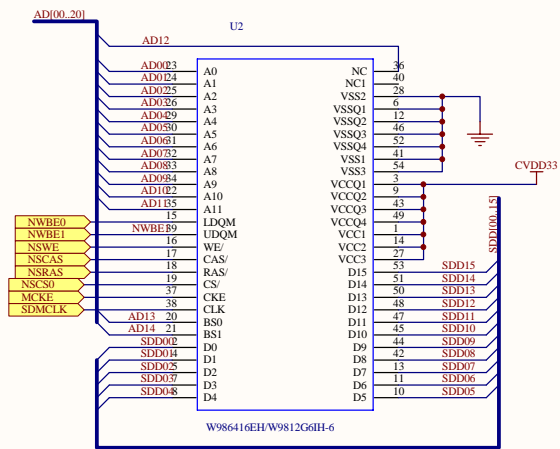


POWER



LED-GRUOP-2

COMPANY:			
Foscam Intelligent Technology Co.,LTD			
TITLE:			
RSE&INTERFACE			
SCALE:	SIZE:	PROJECT NAME:	REV:
	A3	FI8910W-MAIN	V1.4
DATE:		SHEET: 4 OF 5	
2011/07/29			



COMPANY:			
Foscam Intelligent Technology Co.,LTD			
TITLE:			
SDRAM&ROM			
SCALE:	SIZE:	PROJECT NAME:	REV:
	A3	F18910W-MAIN	V1.4
DATE:	2011/07/29		SHEET: 2 OF 5

6

5

4

3

2

1

D

D

C

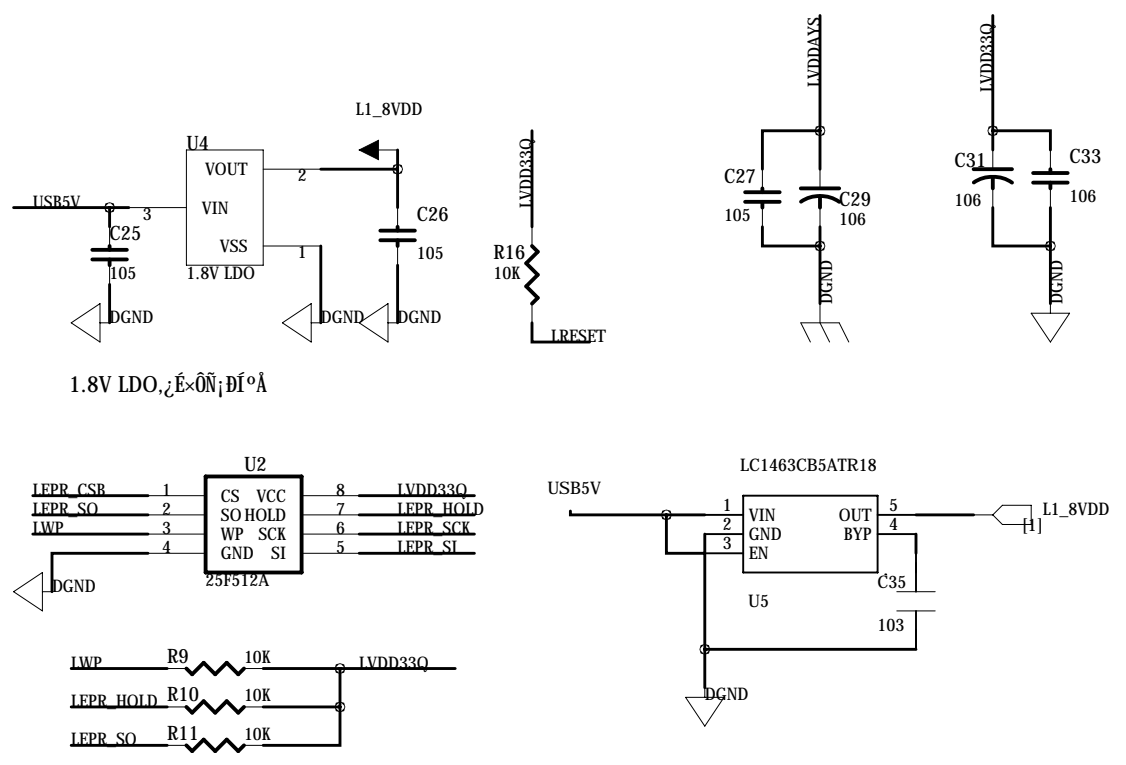
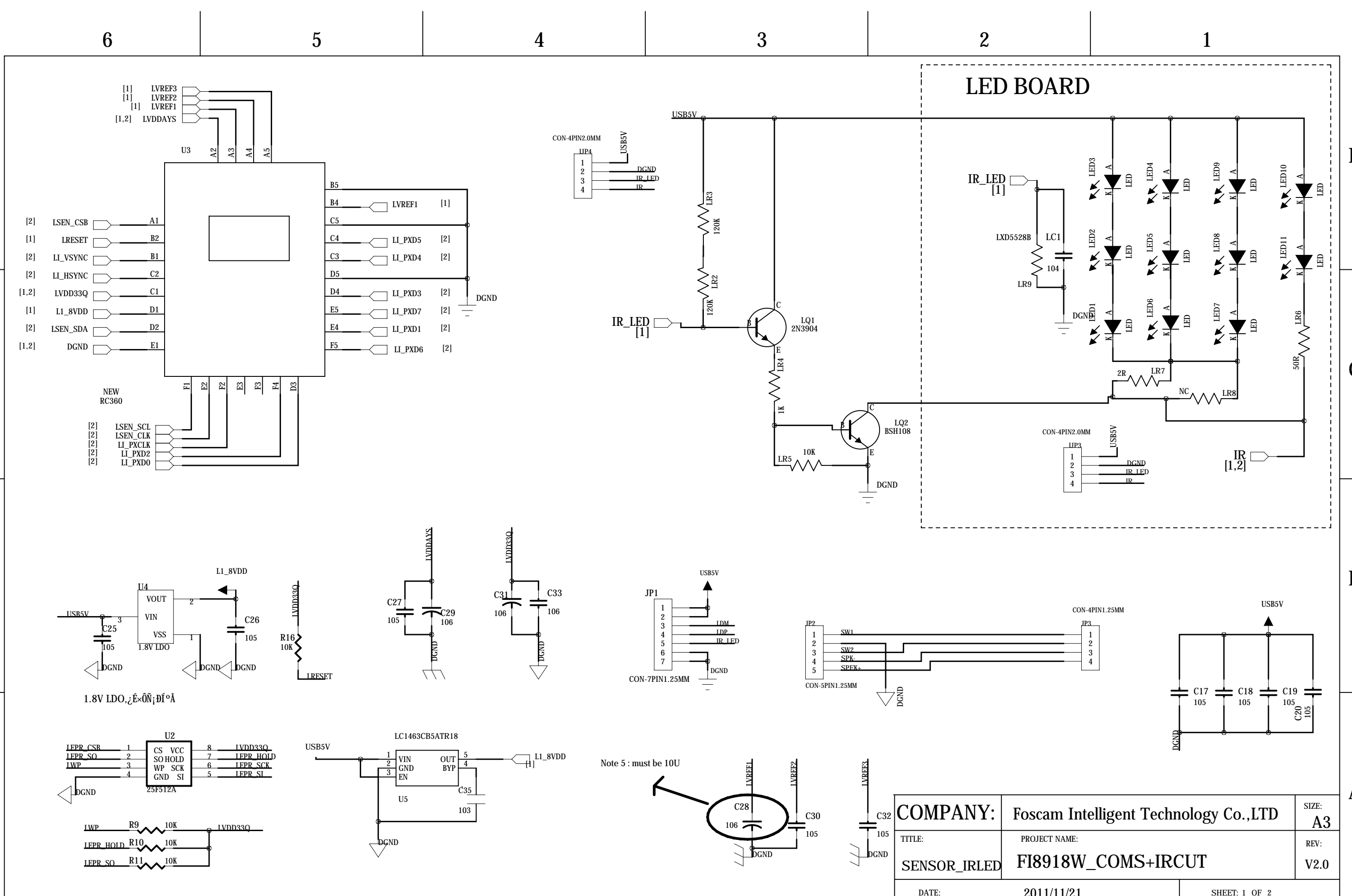
C

B

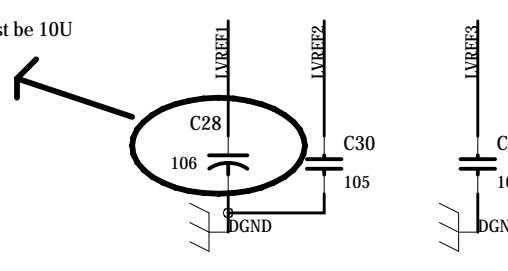
B

A

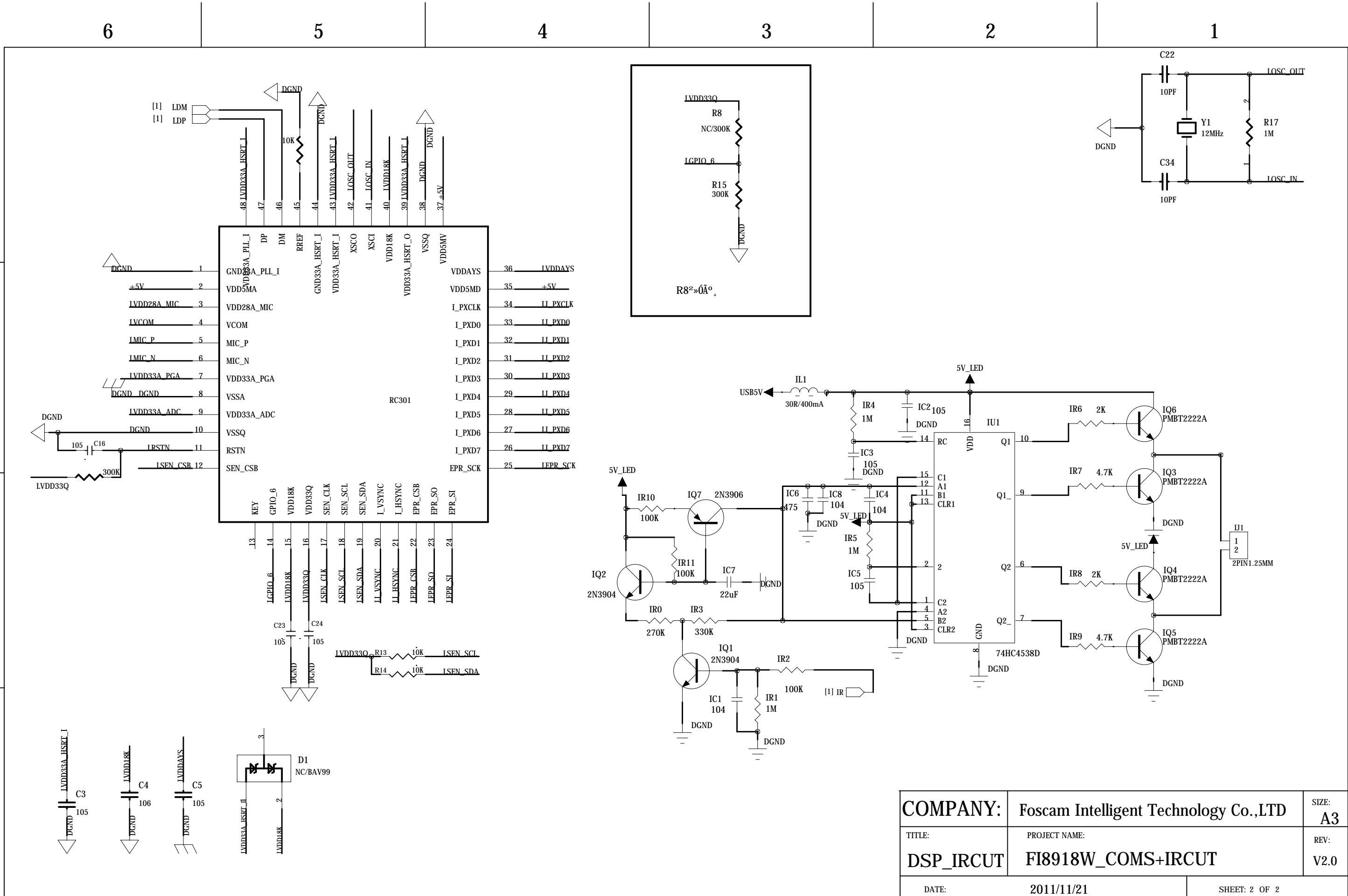
A



Note 5 : must be 10U



COMPANY:	Foscam Intelligent Technology Co.,LTD	SIZE:	A3
TITLE:	SENSOR_IRLED	PROJECT NAME:	FI8918W_COMS+IRCUT
DATE:	2011/11/21	REV:	V2.0
		SHEET: 1 OF 2	



COMPANY:	Foscam Intelligent Technology Co.,LTD	SIZE:	A3
TITLE:	DSP_IRCUT	PROJECT NAME:	FI8918W_COMS+IRCUT
DATE:	2011/11/21	REV:	V2.0
		SHEET: 2 OF 2	