

- 1) Serbia's Logo (Xmm x Xmm)
- 2) Oman's Logo (10mm x 10mm)
- 3) Singapore's Logo (17mm x 9mm)
- 4) Philippines's Logo (17mm x 9mm)
- 5) Australia's Logo (12mm x 12mm)
- 6) UAE's Logo (32mm x 16mm)
- 7) Ukraine's Logo (15mm x 15mm)
- 8) Zambia's Logo (25mm x 8mm)
- 9) Botswana's Logo (25mm x 10mm) Text height min. 2mm.
- 10) Moldova's Logo (10mm x 10mm)
- 11) Nigeria's Logo (10mm x 8mm)
- 12) Mexico's Logo (16mm x 14mm)
- 13) Brazil's Logo (39mm x 16mm)
- 14) South Africa's Logo (40mm x 20mm)
- 15) Argentina's Logo (45mm x 8.5mm)
- 16) Belarus' Logo (15mm x 8mm)
- 17) Congo, Democratic Republic (22mm x 10mm)
- 18) Indonesia (19mm x 7mm)
- 19) Morocco (22mm x 10mm)
- 20) Algeria (16mm x 5mm)
- 21) Ghana (4mm x 29mm)
- 22) Mozambique (22mm x 4mm)
- 23) Paraguay (15mm x 3.5mm)
- 24) Benin (17mm x 8mm)
- 25) Jordan (25mm x 4mm)
- 26) Continental's Address (min 1.5mm height)
- 27) CE Logo (5mm height)

Note:
Logos size as reference only.
Logos and text will be printed in black (No colours) on a white label.
For blank label, please refer to A3C0043150000 41241895 DRW 000

CONFIDENTIAL

RAMBOUILLET

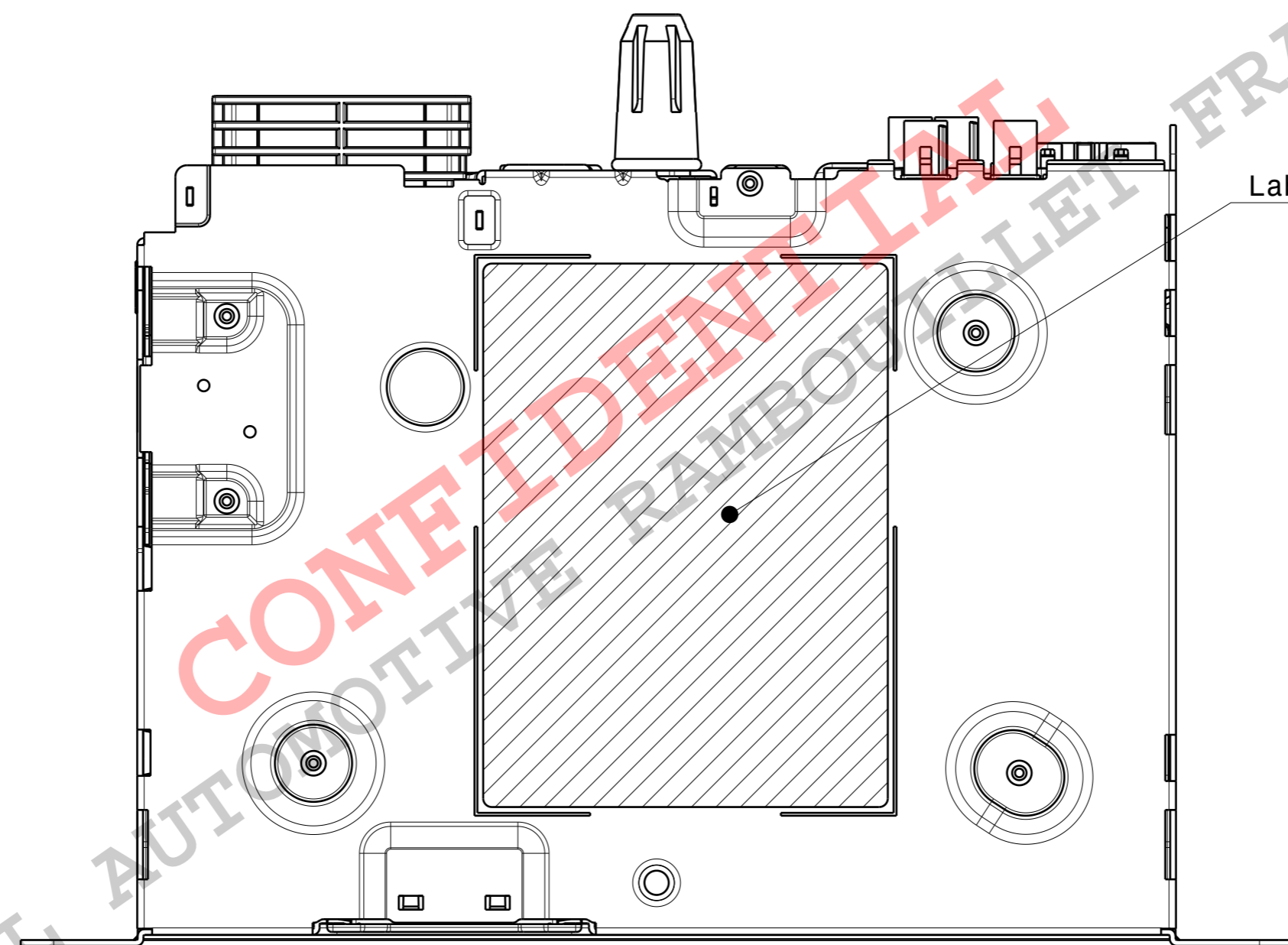
Field	Value	Text height
A Barcode region, Code39 (PSA reference)	Na	12mm
B PSA reference	XX XXX XXX XX	3.5mm, 5.3mm
C	(E 2) 10 R-05 19233	6mm, 3mm & 2mm. See above drawing.
D Continental reference	A3CXXXXXXXXXX	1.7mm
E EMC Identification reference	Continental-WAVE2EUCEM00	1.7mm
F HW reference	HW: xx.yy	1.3mm
G SW reference	SW: ww.xx.yy.zz	1.3mm
H Production date	Date: AAAA.MM.JJ	1.3mm
I Identification reference / Serial Number	BS...xxxxxxxxxx	1.3mm
J Country of origin	Made in CZECH REP.	1.3mm
K QR code region, (Continental reference)	Na	10 X 10mm
L Variants / Model Name	XXXXXXX	1.3mm
M FCC ID	FCC ID: ZFW-HW19W4	1.7mm
N Voltage & Ampere	12V ----- 15A	1.7mm
O Fuse rating	T 20 A L	1.7mm

Note:
Exact content of the below items can be found on the ECN SharePoint inside the document "11_PSA_NAC_WAVE_2_Overview_BOM_ECN.xlsx"

Item B (PSA reference)
Item D (Continental reference)
Item F (HW reference)
Item G (SW reference)
Item L (Variants / Model Name)

Document Link:
https://cws7.conti.de/content/00006838/S4_PSA_NAC_RCC_Wave2_EU_CN/11_PSA_NAC_WAVE_2_Overview_BOM_ECN.xlsx

AB	4	-	ECM xxxxxxxx. Update reference number for E marking	
AA	-	-	ECM 10406798. Initial drawing release into SAP.	
DOC. VERS.	CHANGED ITEMS	ZONE IN GRID	CHANGE DESCRIPTION	ECM NO. 10406798
CREATED BY		DATE	DEPARTMENT	
Cyrus.Repe.Hornopia		2019-09-06	I IC RD ME SGP D2	
REVIEWED BY		DATE	DEPARTMENT	
[REDACTED]		[REDACTED]	[REDACTED]	
RELEASED BY		DATE	DEPARTMENT	
[REDACTED]		[REDACTED]	[REDACTED]	
TITLE				
label HW2019 W4				
Etikett				
DOCUMENT NO.	DOC. TYPE	DOC. PART	DOC. VERS.	MATERIAL NO.
41496942	DRW	000	AB	A3C0551790000
MATERIAL			CALCULATED WEIGHT	
Please refer to note			-g +/--%	
SURFACE		GENERAL TOLERANCES		TOLERANCE PRINCIPLE
-		-		Size ISO 14405
3D MODEL		DRAWING		
-		41496942_DRW_000.CATDrawing .AB.4 In Work		
DIMENSIONS IN MILLIMETERS		Continental		
CAD SYSTEM		SCALE		PAGE
-		(C) Continental AG 2019 1:1		1 of 1
THE REPRODUCTION, DISTRIBUTION AND UTILIZATION OF THIS DOCUMENT AS WELL AS THE COMMUNICATION OF ITS CONTENTS TO OTHERS WITHOUT EXPRESS AUTHORIZATION IS PROHIBITED. OFFENDERS WILL BE HELD LIABLE FOR THE PAYMENT OF DAMAGES. ALL RIGHTS RESERVED IN THE EVENT OF THE GRANT OF A PATENT, UTILITY MODEL OR DESIGN.				FORMAT
NO GUARANTEE CAN BE GIVEN IN RESPECT OF THE TRANSLATION. IN ALL CASES THE LATEST ENGLISH LANGUAGE VERSION OF THIS DOCUMENT SHALL BE TAKEN AS AUTHORITY				A2



Label (94mm x 70mm)

CONFIDENTIAL
CONTINENTAL AUTOMOTIVE RAMBOUTOUILLET FRANCE S.A.S.