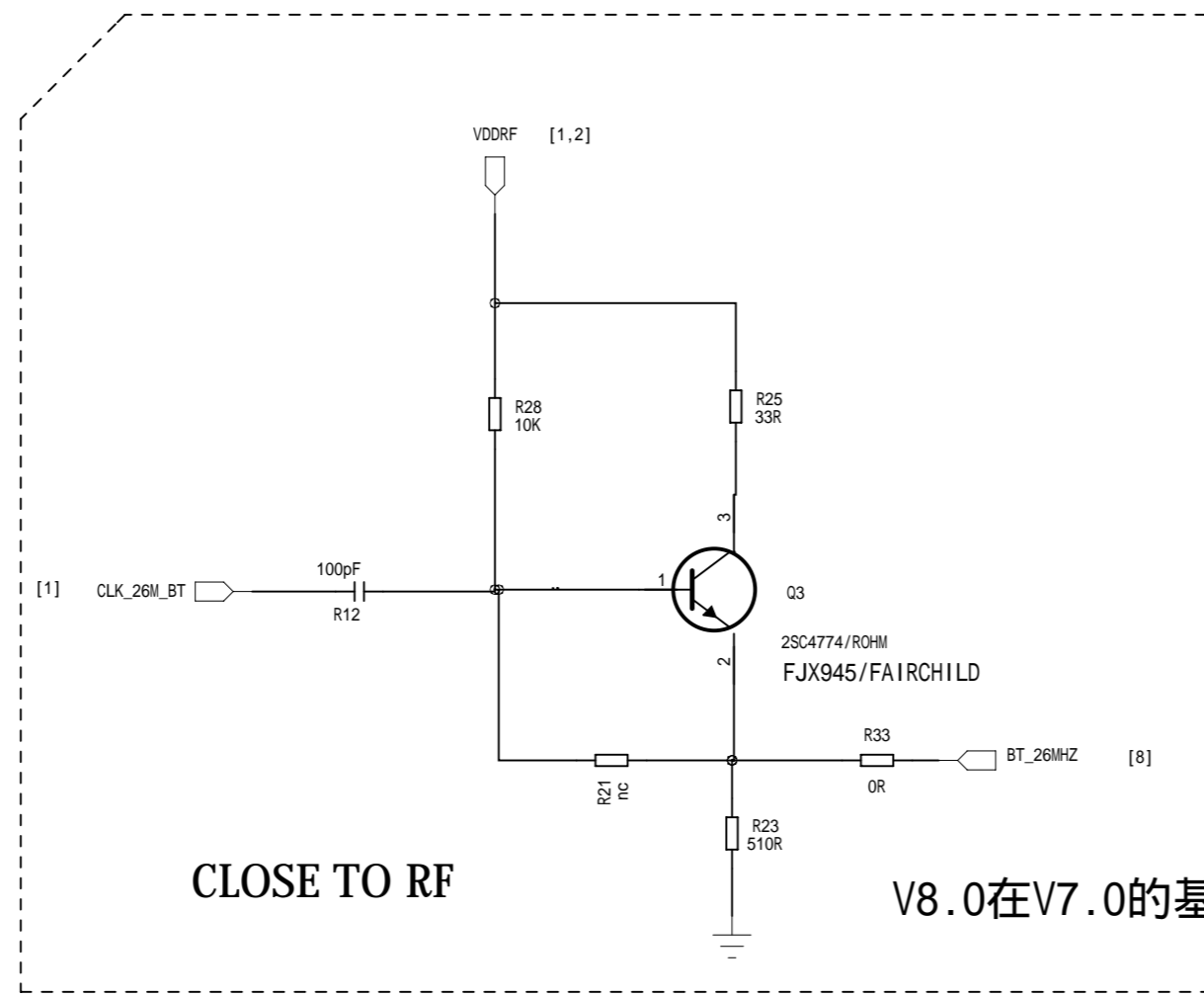
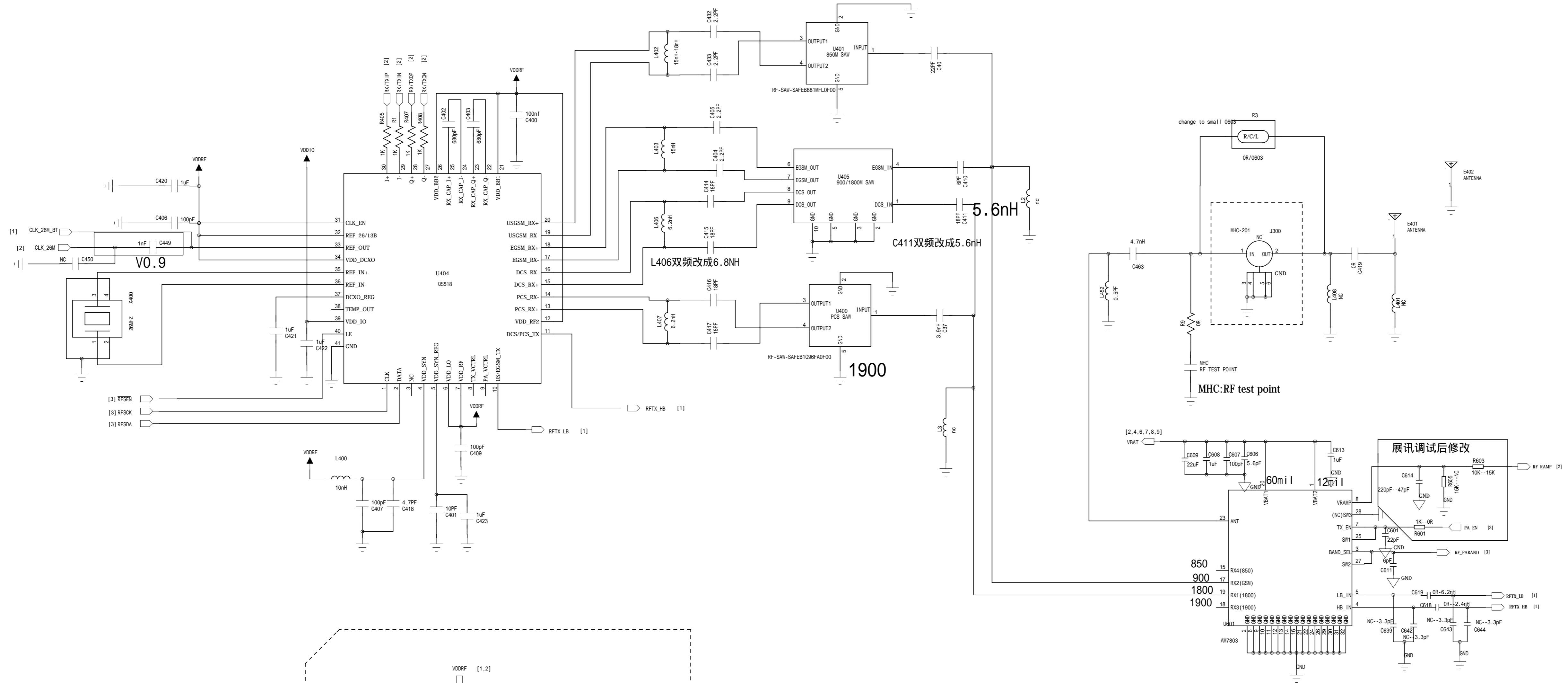


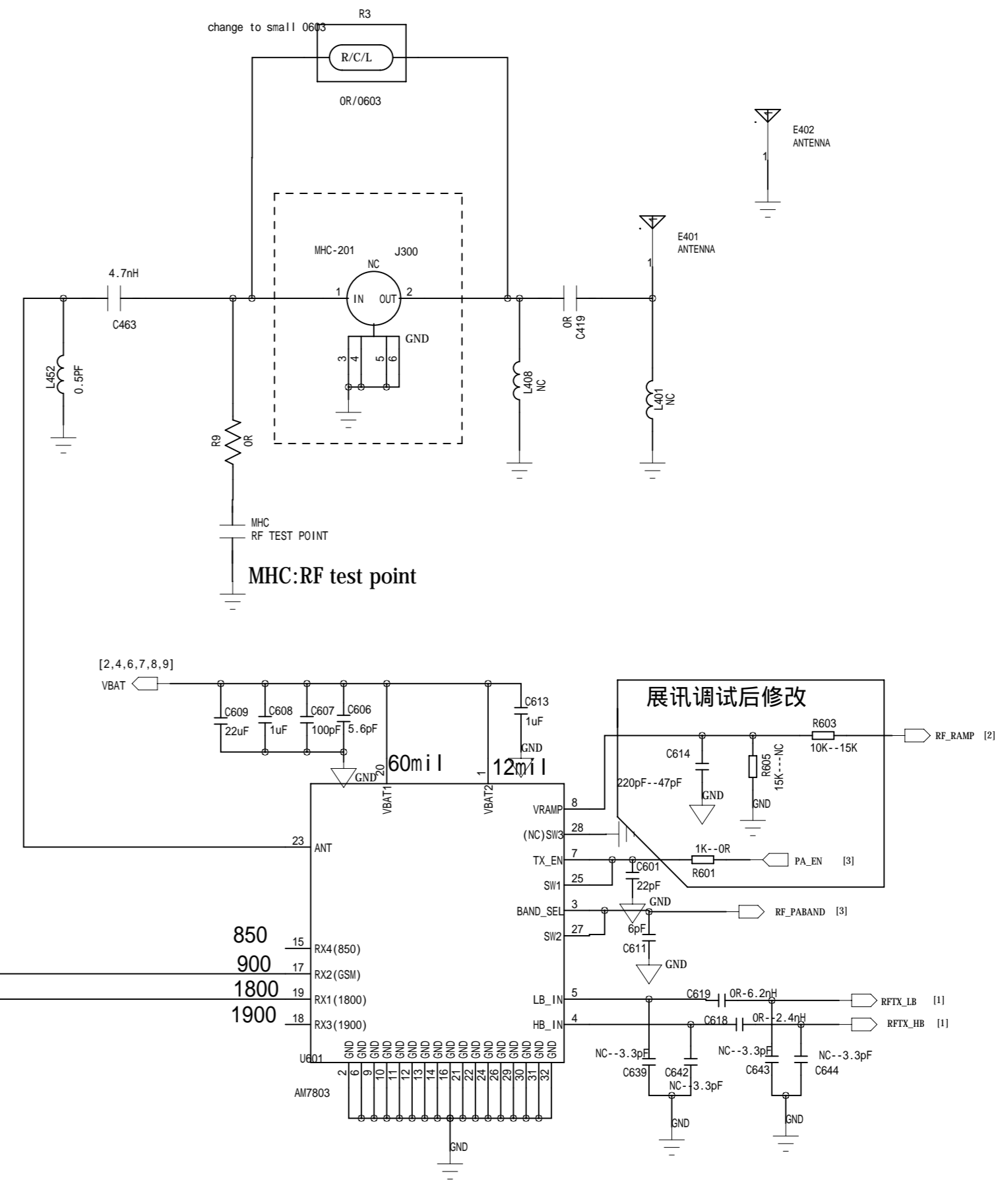
REVISION RECORD			
LTR	ECCO NO.	APPROVED:	DATE:

Dual band NF part:
 U401, U403, C432, C433, C424, C451
 C416, C417, C412, C454, L402, L407



CLOSE TO RF

V8.0在V7.0的基础上增加BUFFER。

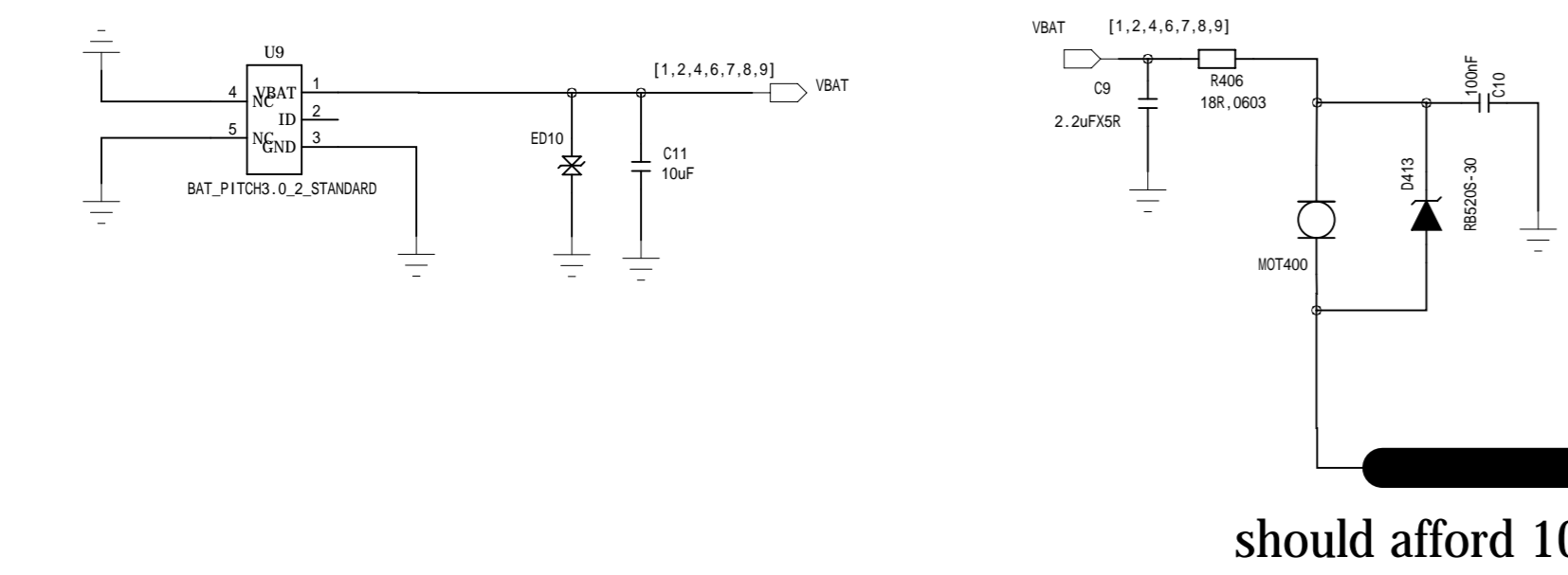
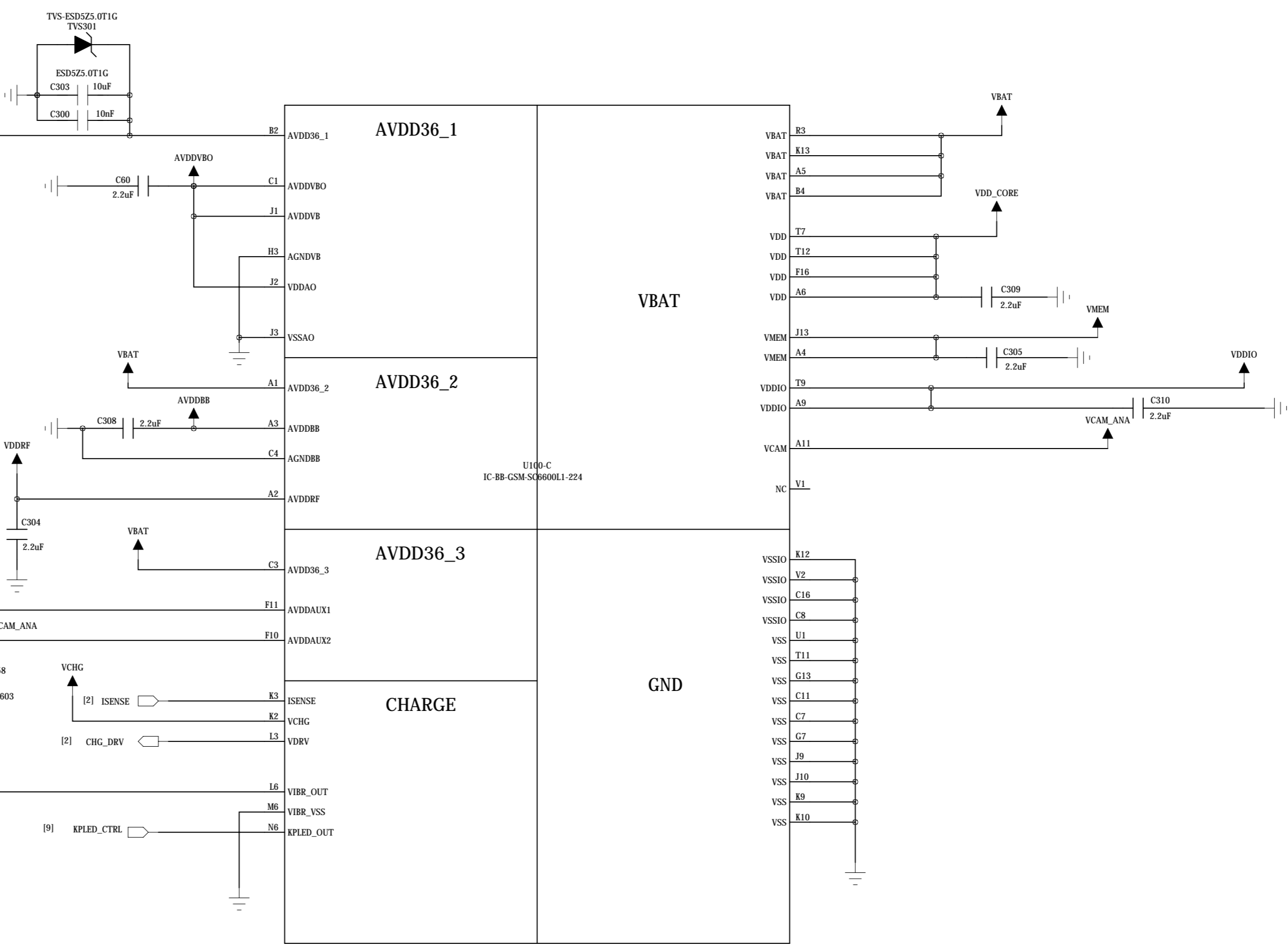
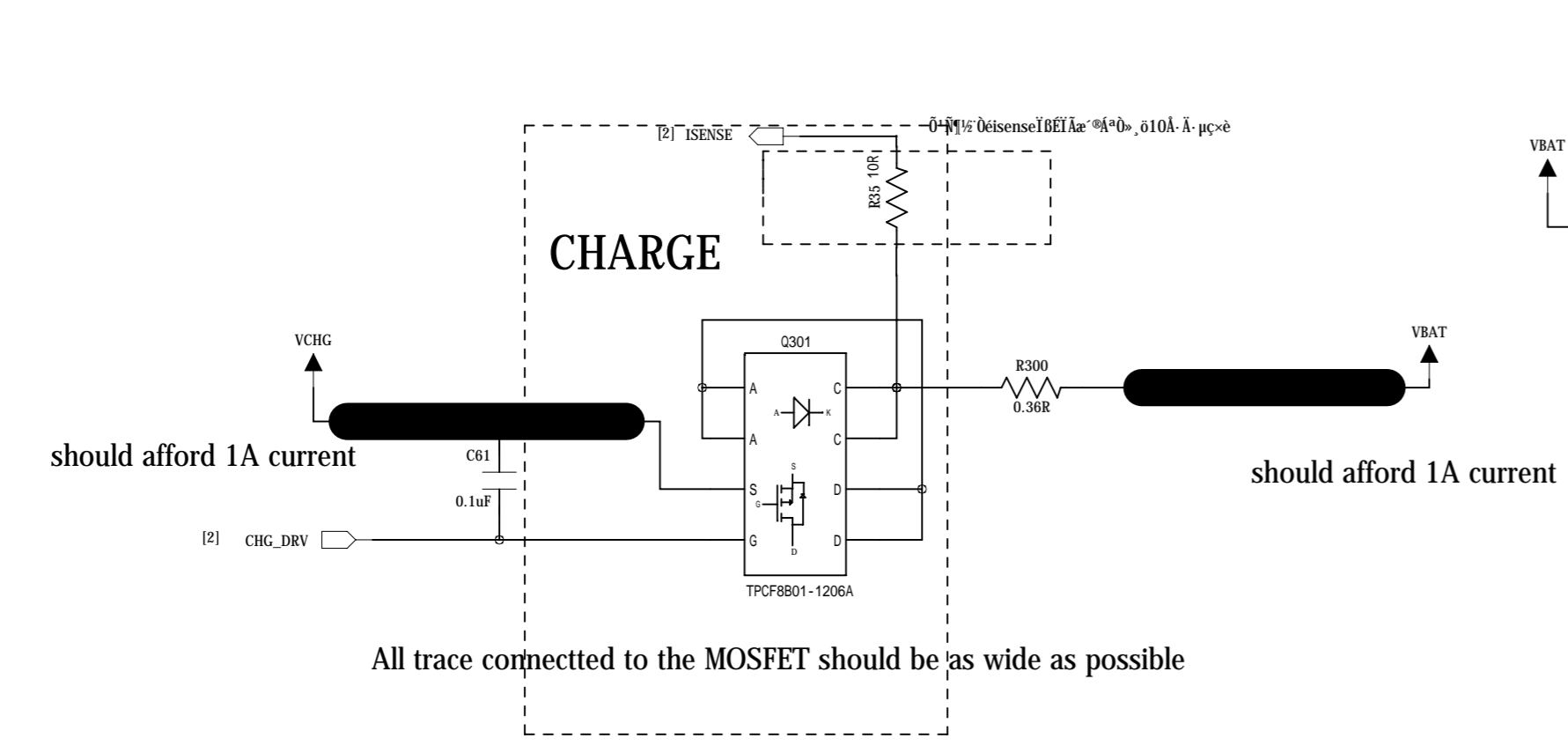
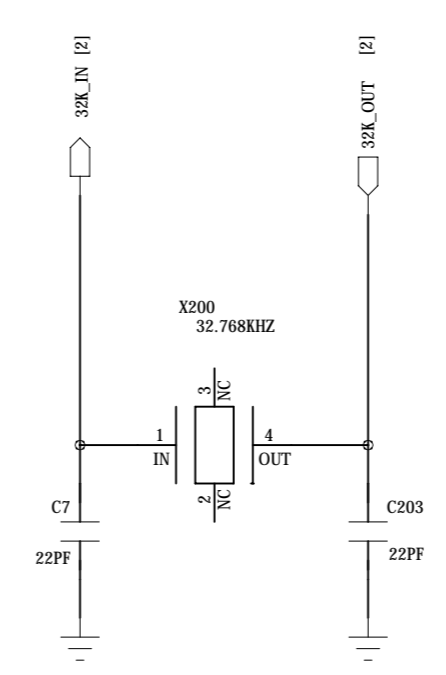
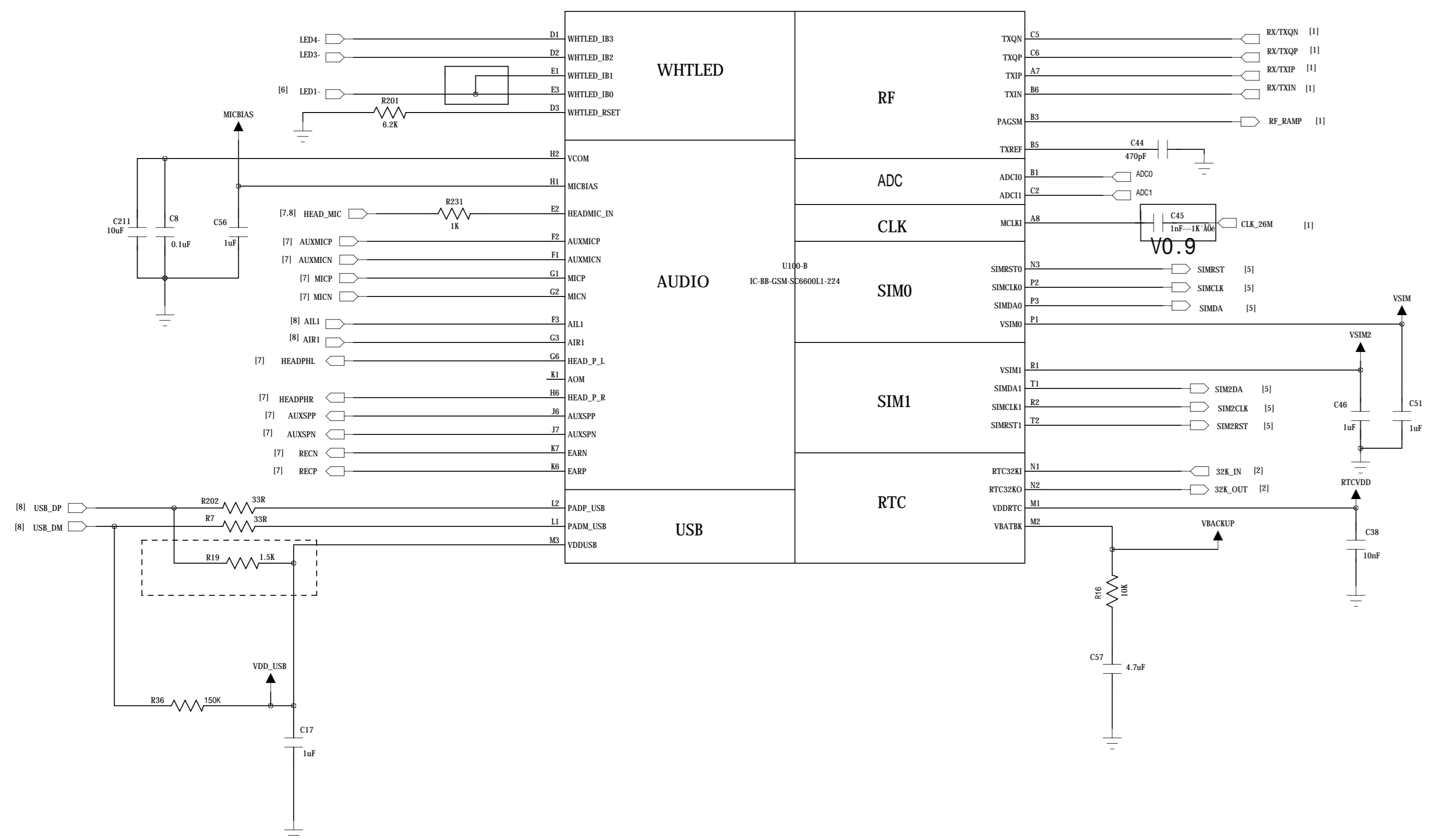


MHC:RF test point

展讯调试后修改

TITLE & REV:		
DOCUMENT NO.:		
DESIGNER:	DATED:	DEPARTMENT:
EOA:	DATED:	COMPANY:
APPROVED:	DATED:	
CONFIDENTIAL AND PROPRIETARY		SHEET: 4 OF 17

REVISION RECORD			
LTR	ECO NO.	APPROVED:	DATE:



TITLE & REV:
SC6600L_SP6601L_SCH_V1.0.3

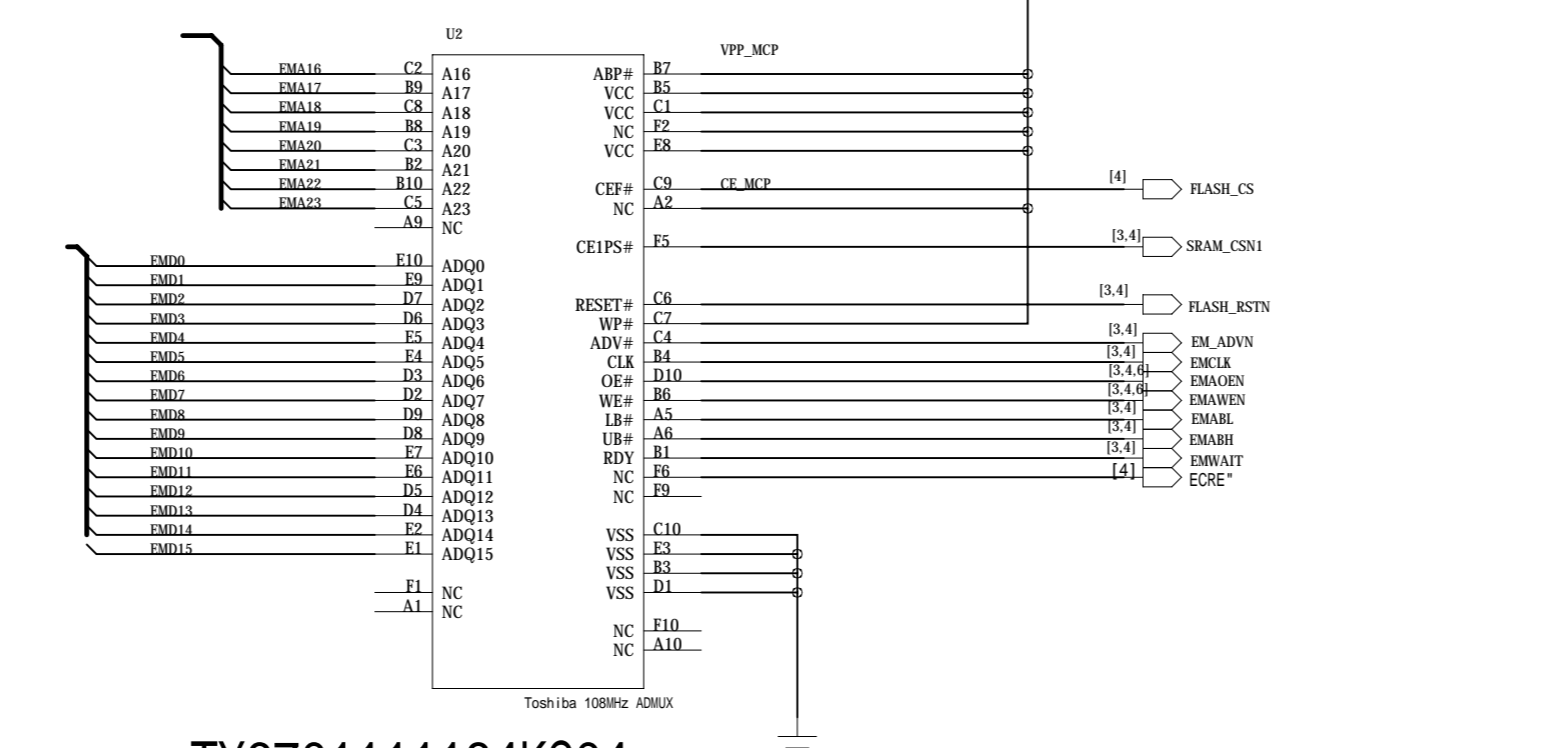
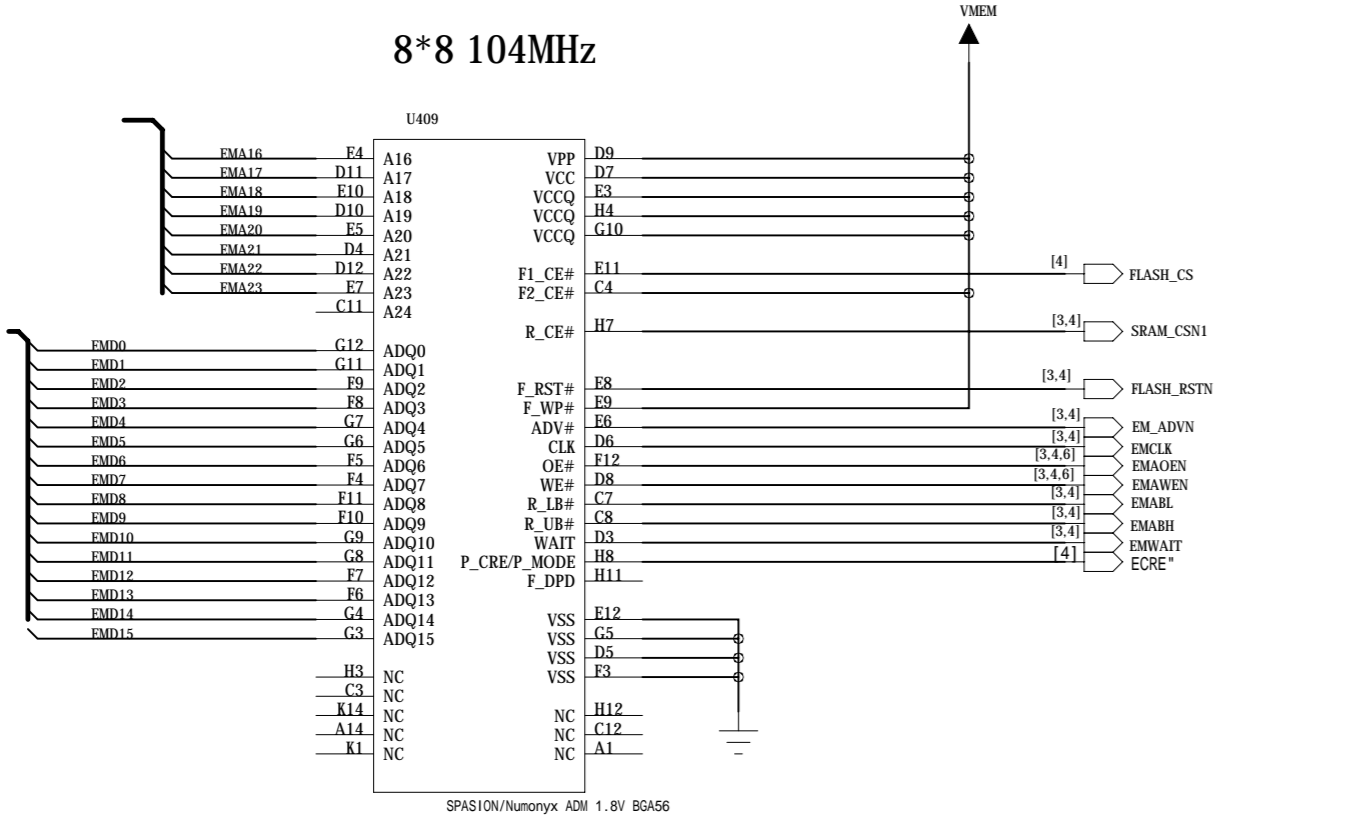
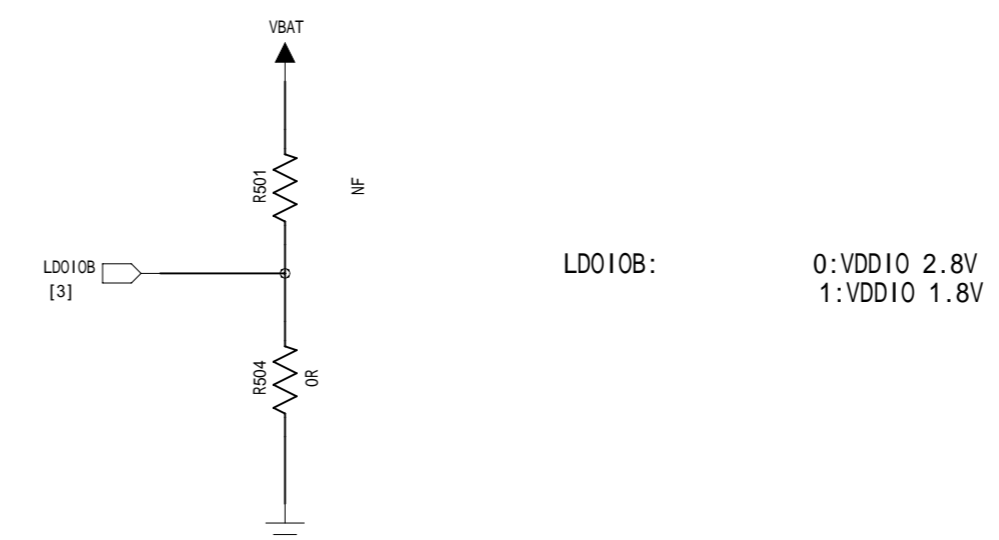
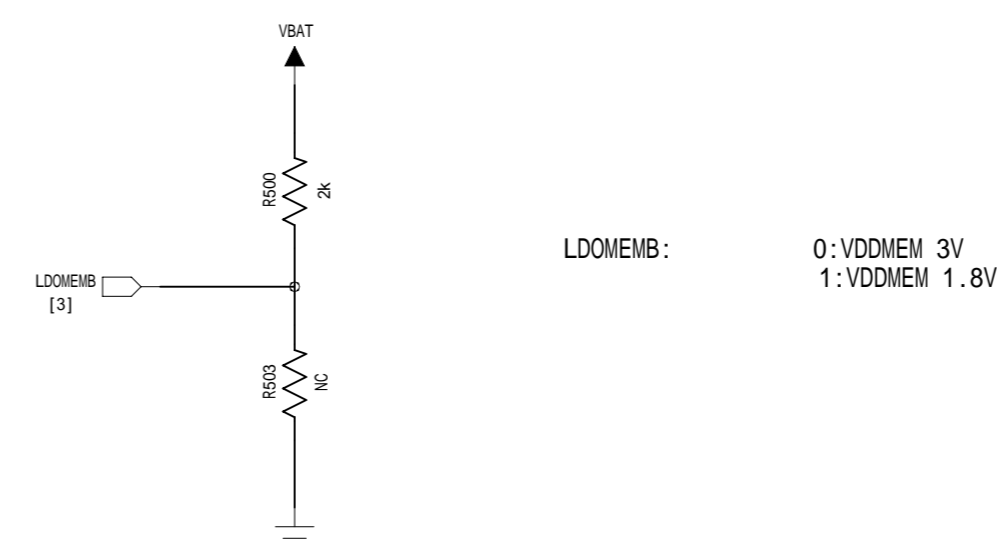
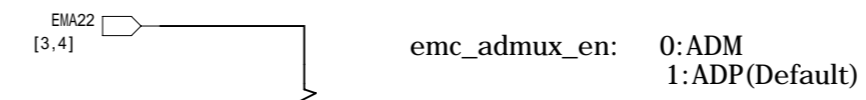
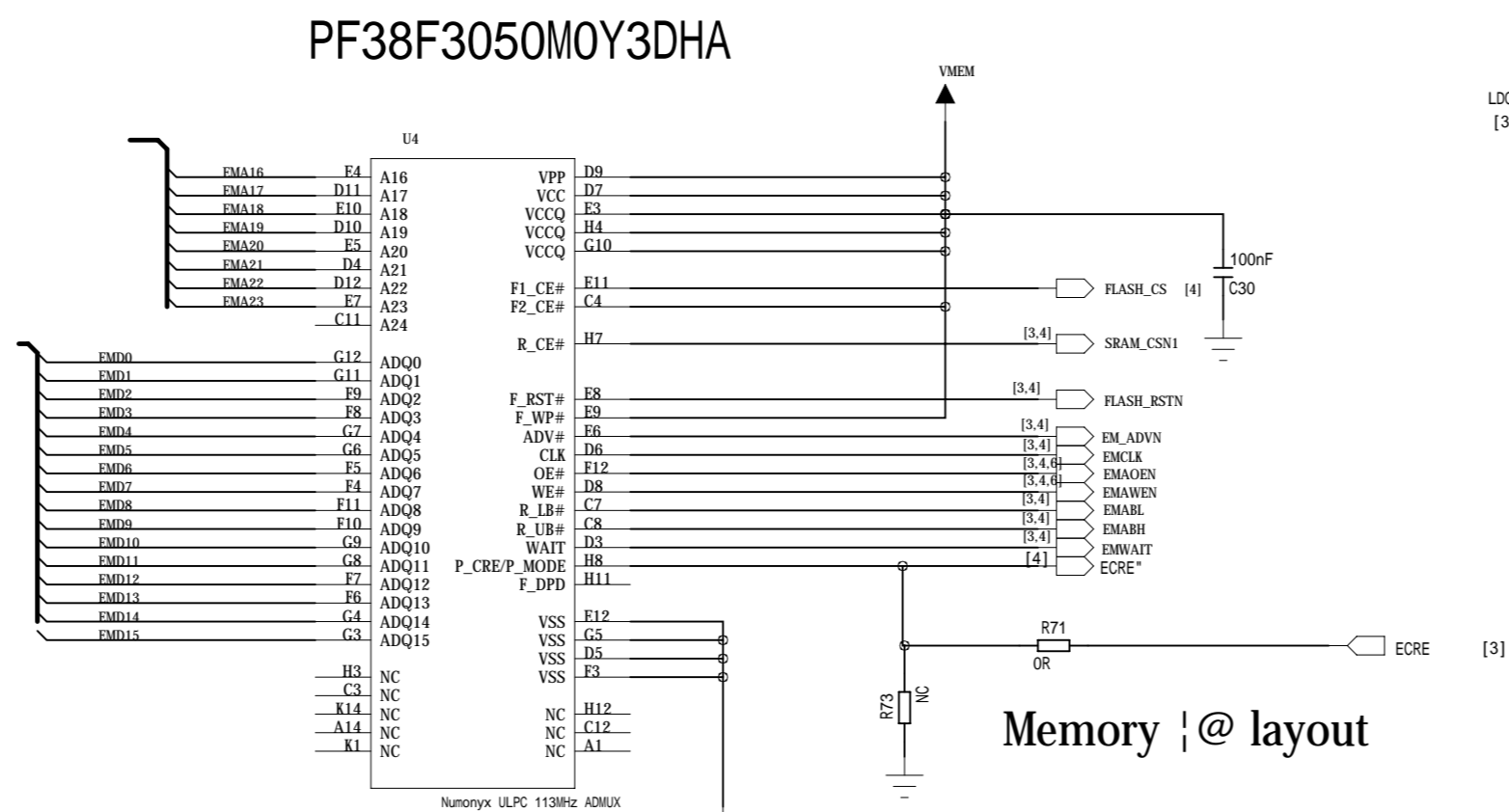
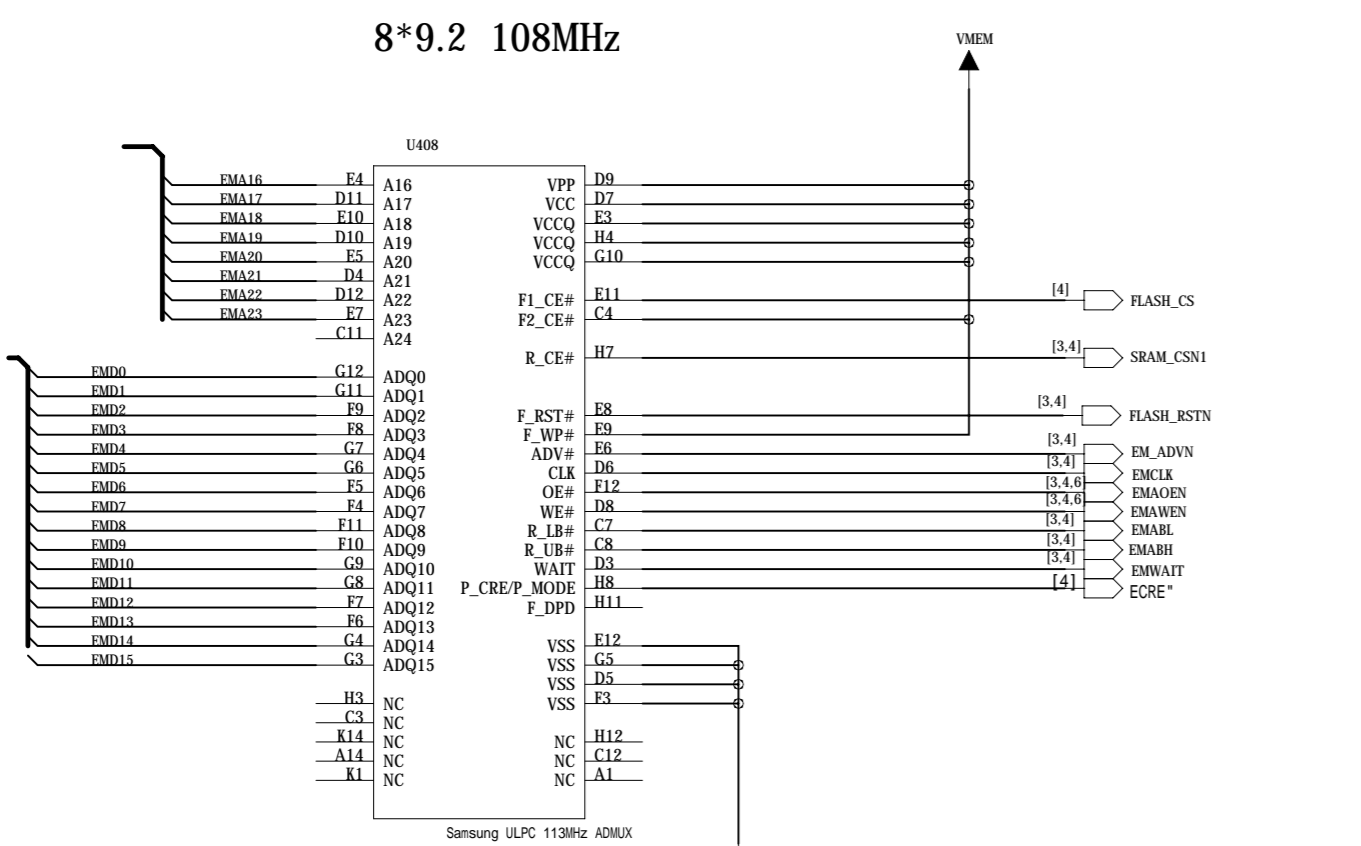
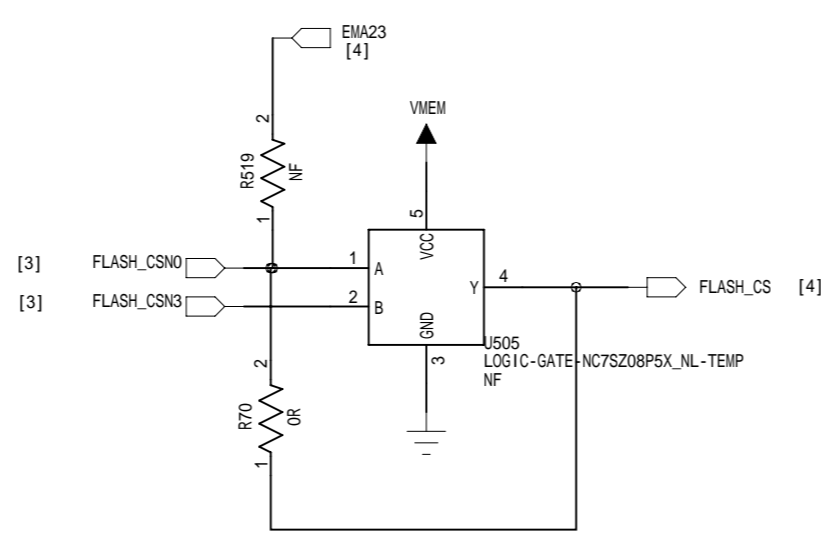
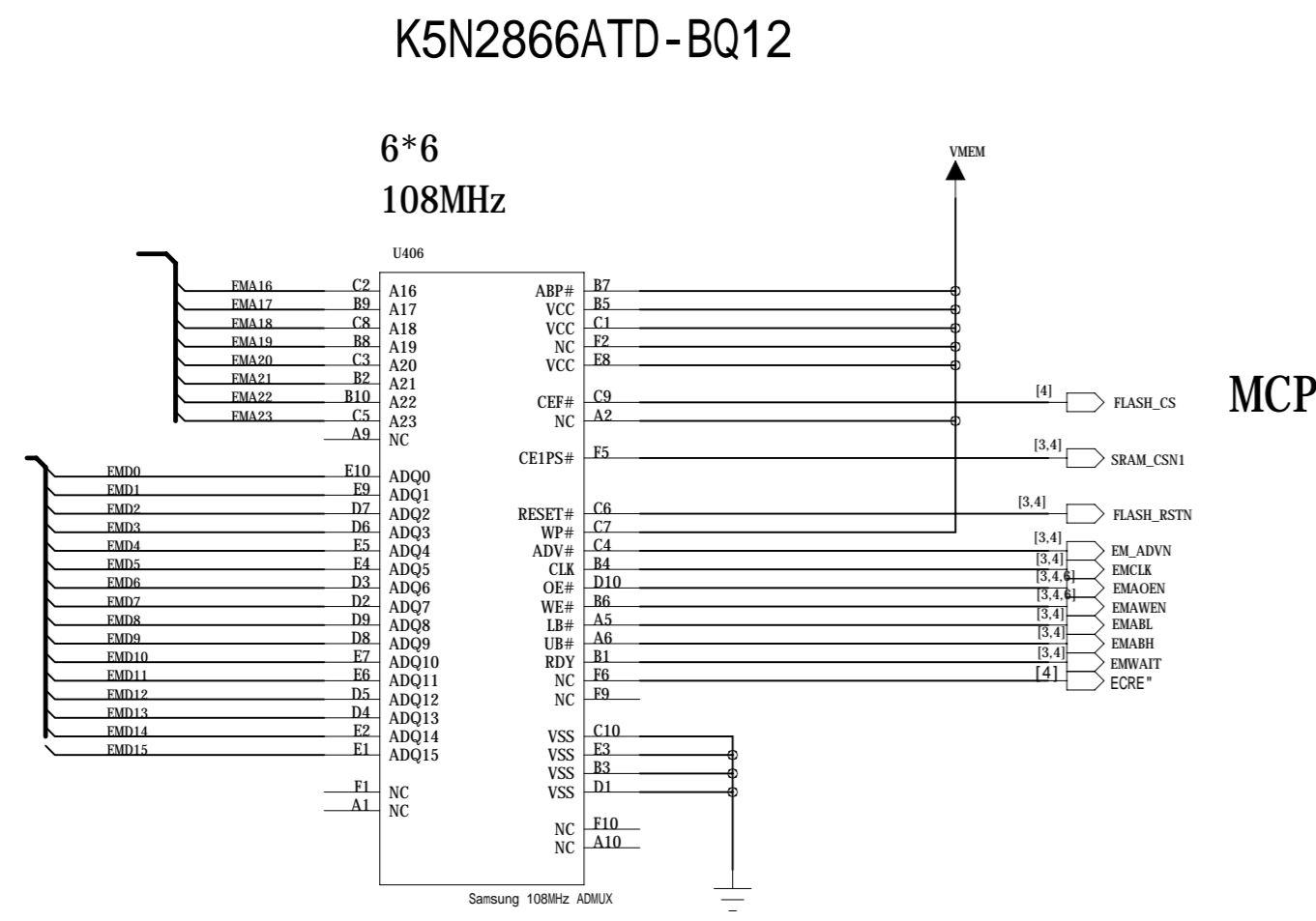
DOCUMENT NO.:
E-HW-SC6600L-SCH-2008-0001

DESIGNER: Young.Wang	DATED: 2009/03/23	DEPARTMENT: Hardware RD.
EOA: Wind.Deng	DATED: 2009/03/23	COMPANY: Spreadtrum communications, Inc.
APPROVED: Guobing.Luan	DATED: 2009/03/23	CONFIDENTIAL AND PROPRIETARY

REVISION RECORD			
LTR	ECO NO.	APPROVED:	DATE:

Strapping List

ADM



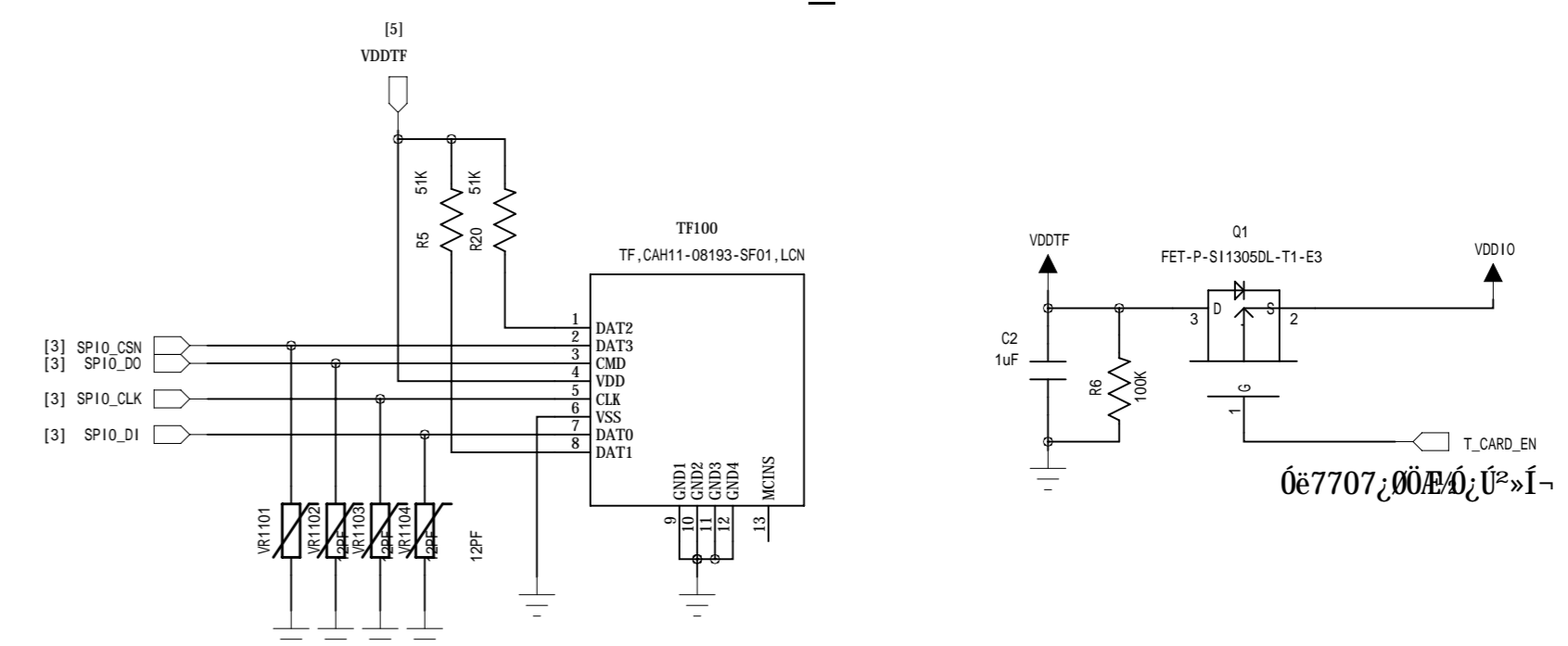
Memory |@ layout

TITLE & REV:		
DOCUMENT NO.:		
DESIGNER:	DATED:	DEPARTMENT:
EDA:	DATED:	COMPANY:
APPROVED:	DATED:	
CONFIDENTIAL AND PROPRIETARY		SHEET: 5 OF 17

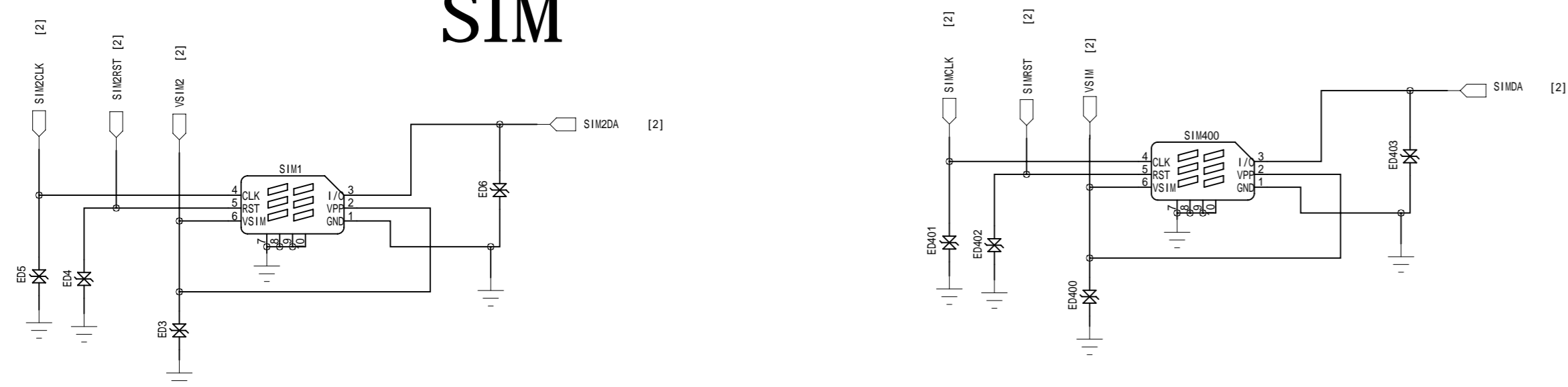
REVISION RECORD			
LTR	ECO NO.	APPROVED	DATE

MEMORY改成ADMUX

T_Flash Socket



SIM

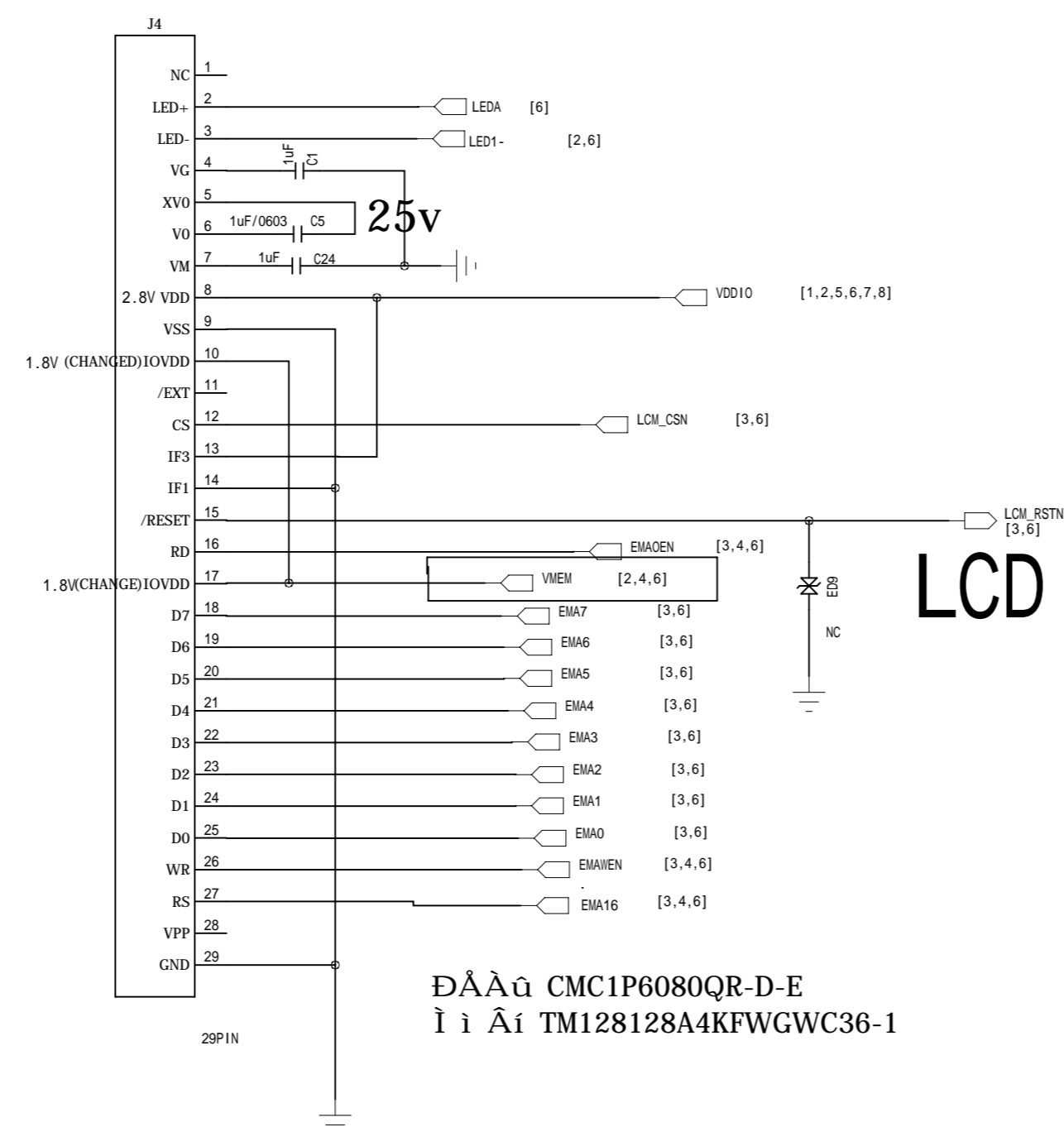


TITLE & REV:
SC6600L_SP6601L_SCH_V1.0.3

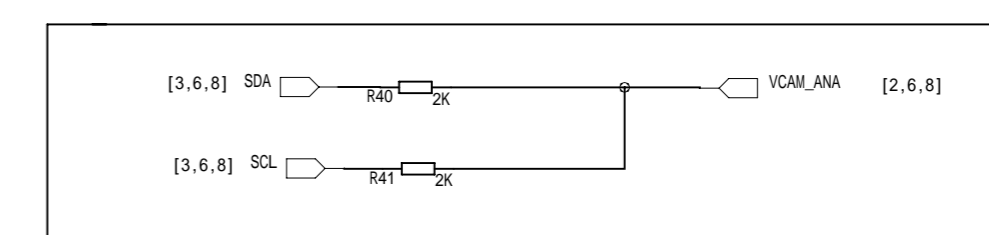
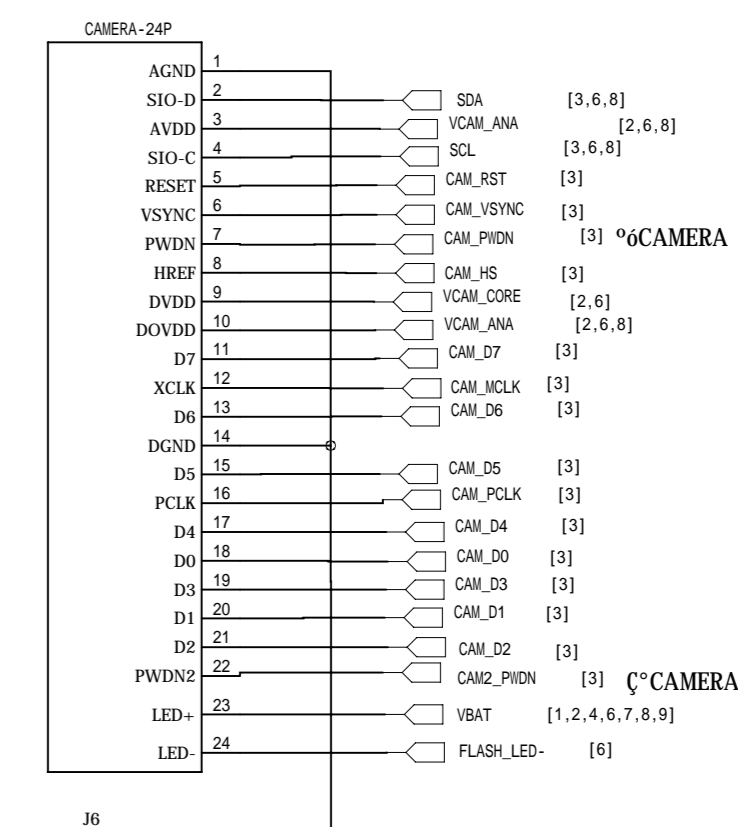
DOCUMENT NO.:

DESIGNER:	DATED:	DEPARTMENT: Hardware RD.
EDA:	DATED:	COMPANY: Spreadtrum communications, Inc.
APPROVED:	DATED:	CONFIDENTIAL AND PROPRIETARY

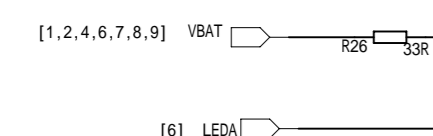
REVISION RECORD			
LTR	ECO NO.	APPROVED:	DATE:



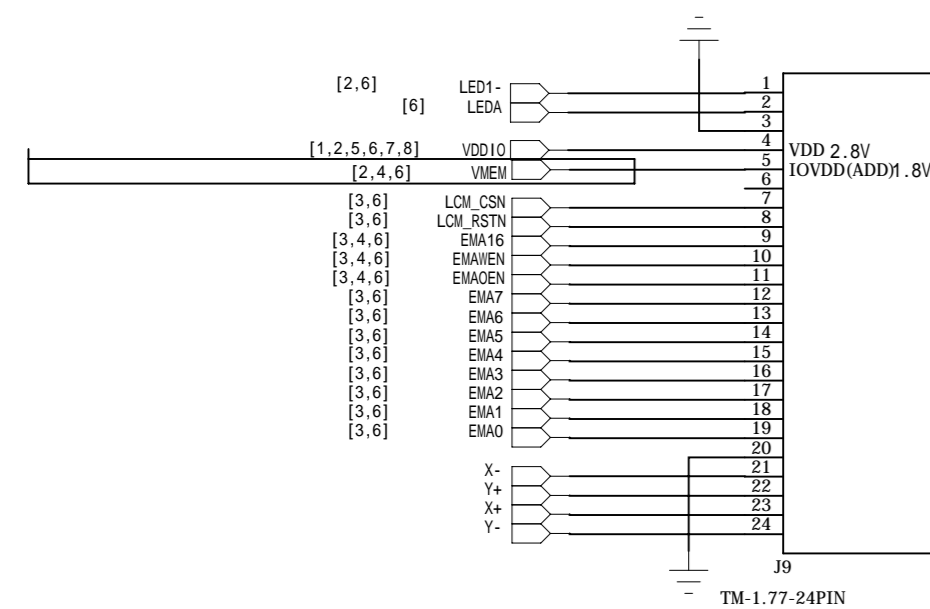
LCD 17PIN更改成1.8V/2.8V.



V1.1 ADDED

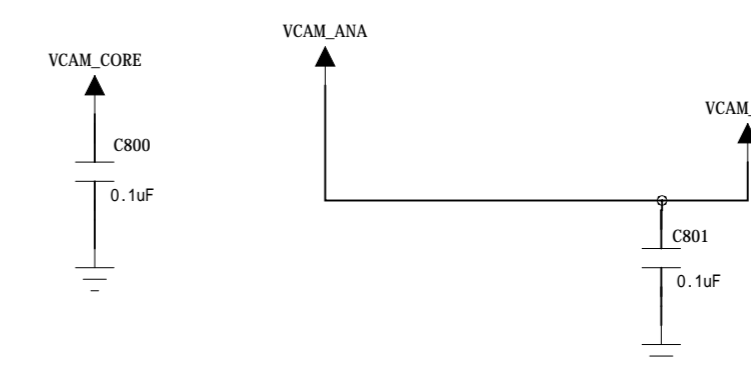
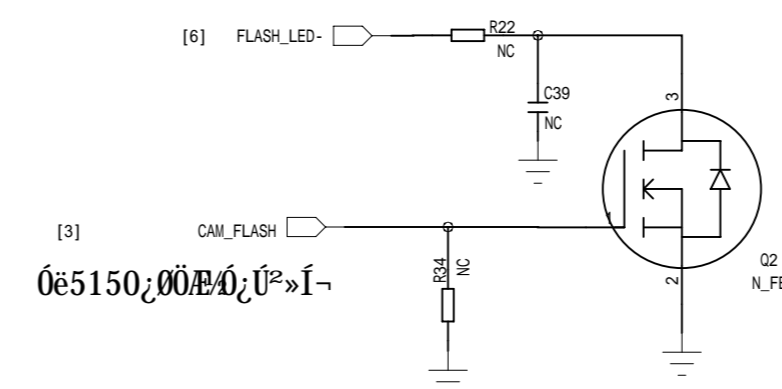


1.8V/2.8V双电源屏//V1.2增加



F100 LCD

V0.3 ADD

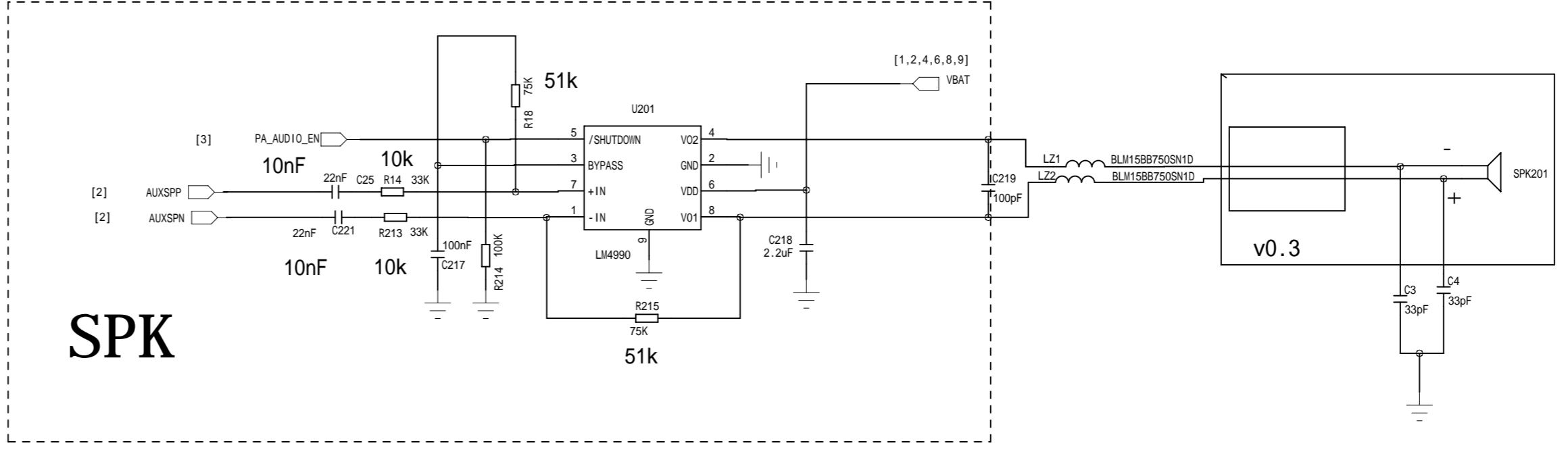
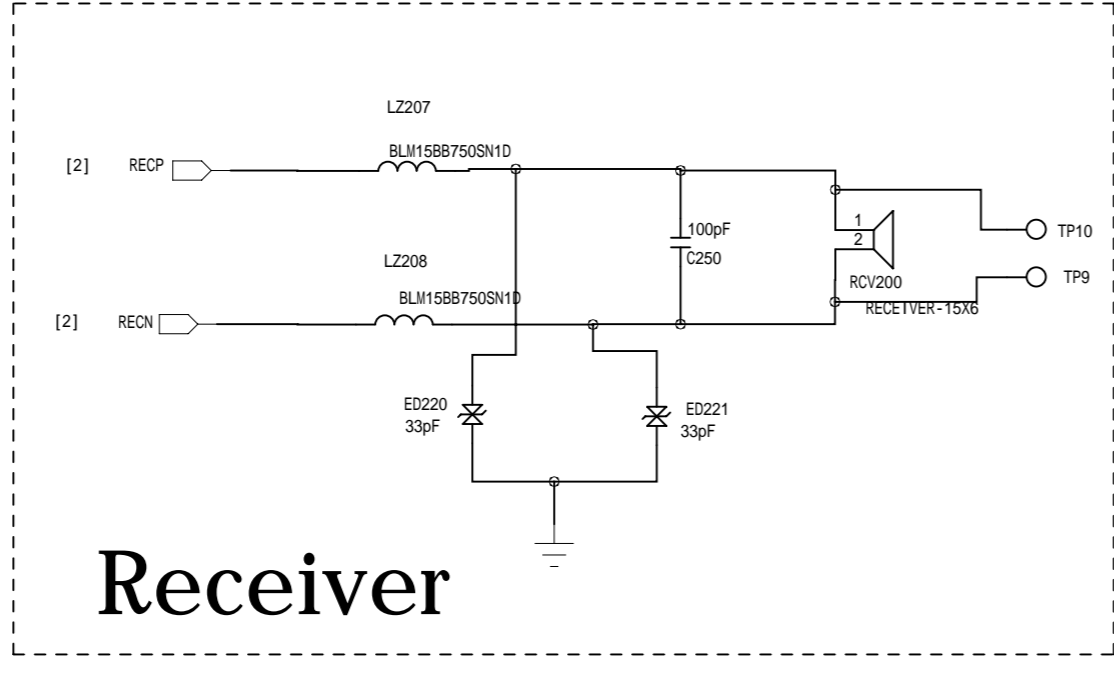
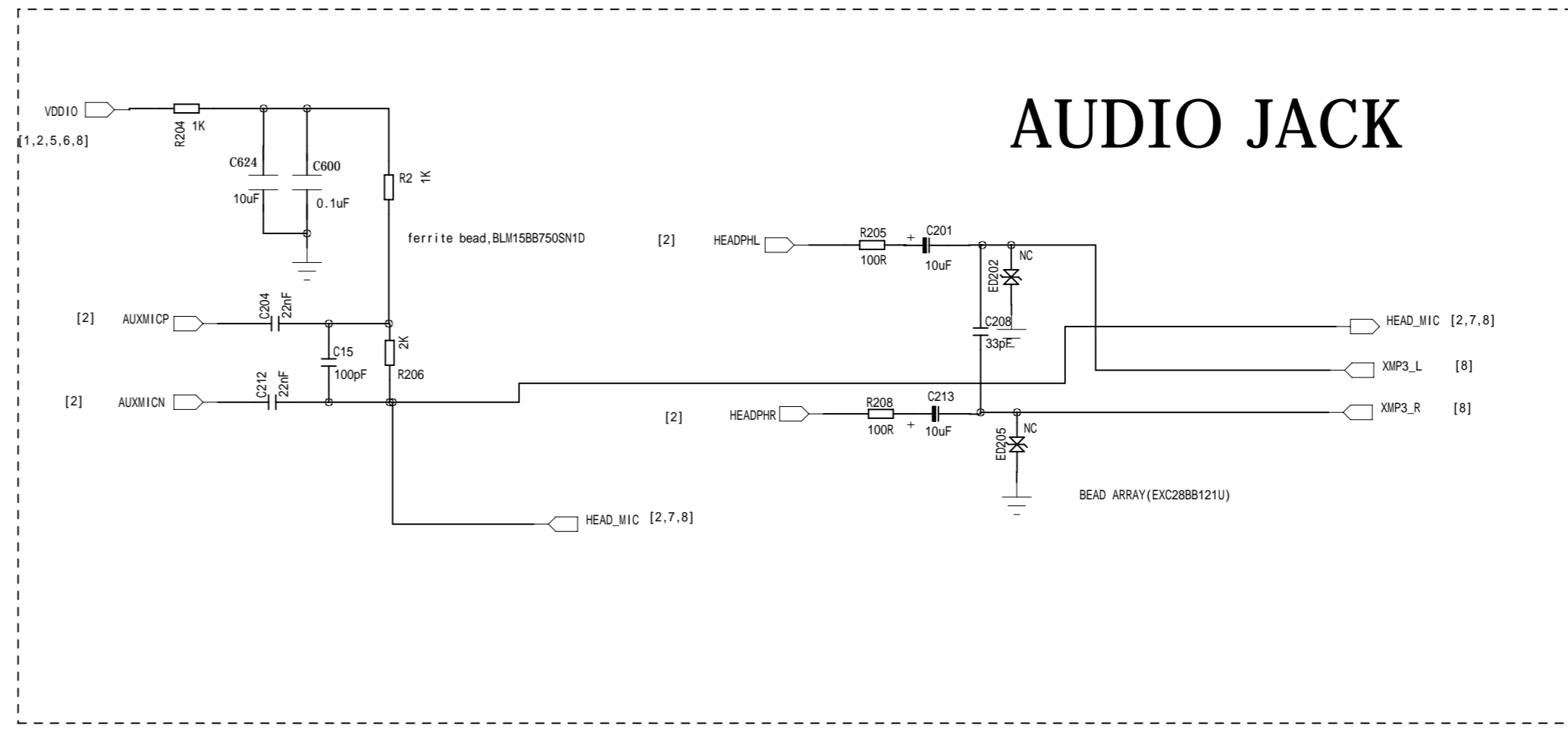
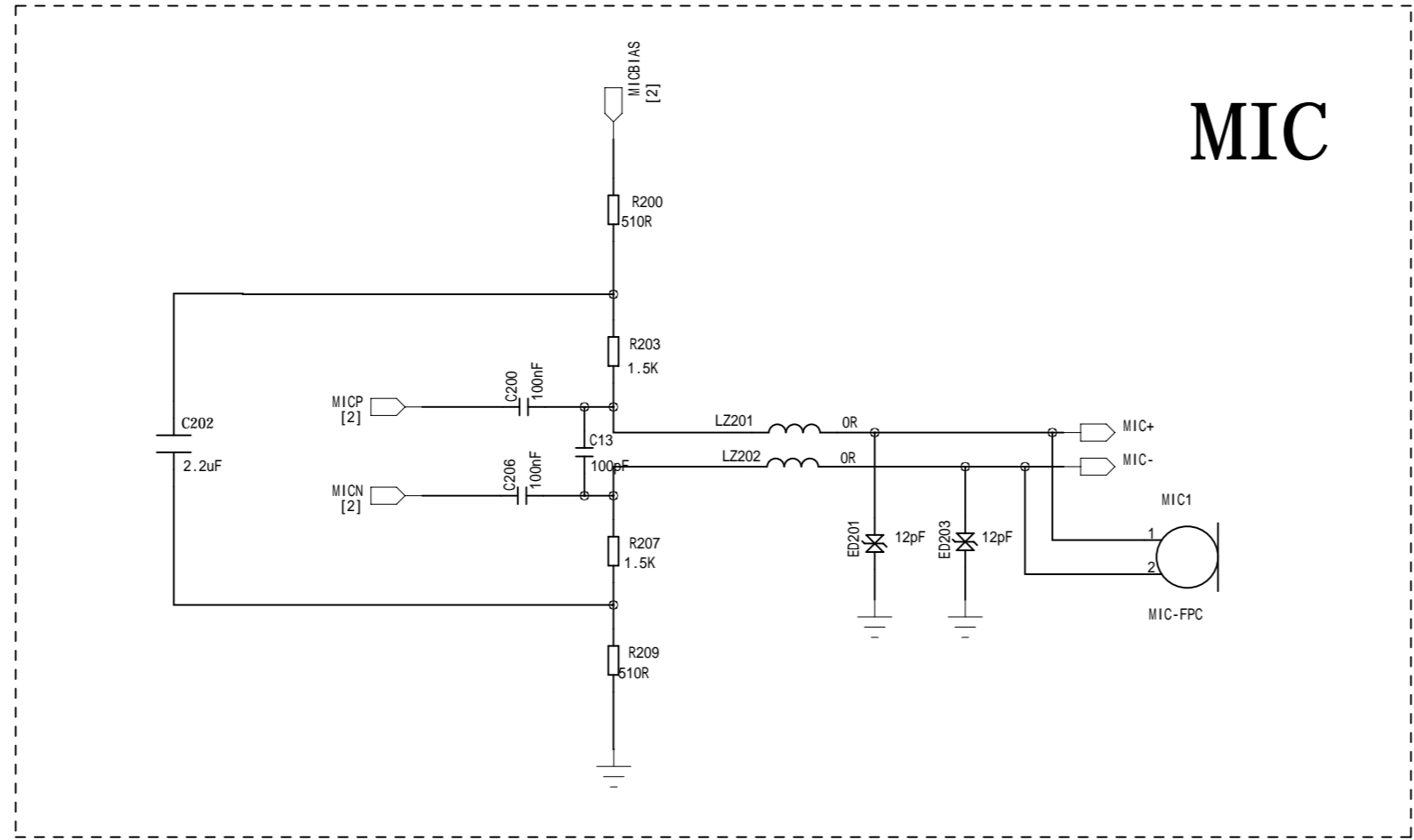


TITLE & REV:
SC6600L_SP6601L_SCH_V1.0.3

DOCUMENT NO.:

DESIGNER:	DATED:	DEPARTMENT: Hardware RD.
EDA:	DATED:	COMPANY: Spreadtrum communications, Inc.
APPROVED:	DATED:	CONFIDENTIAL AND PROPRIETARY

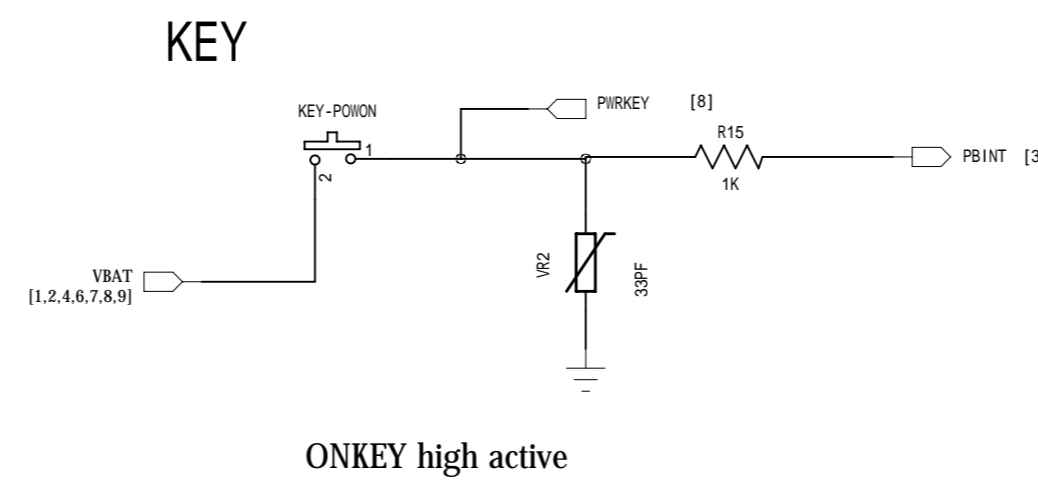
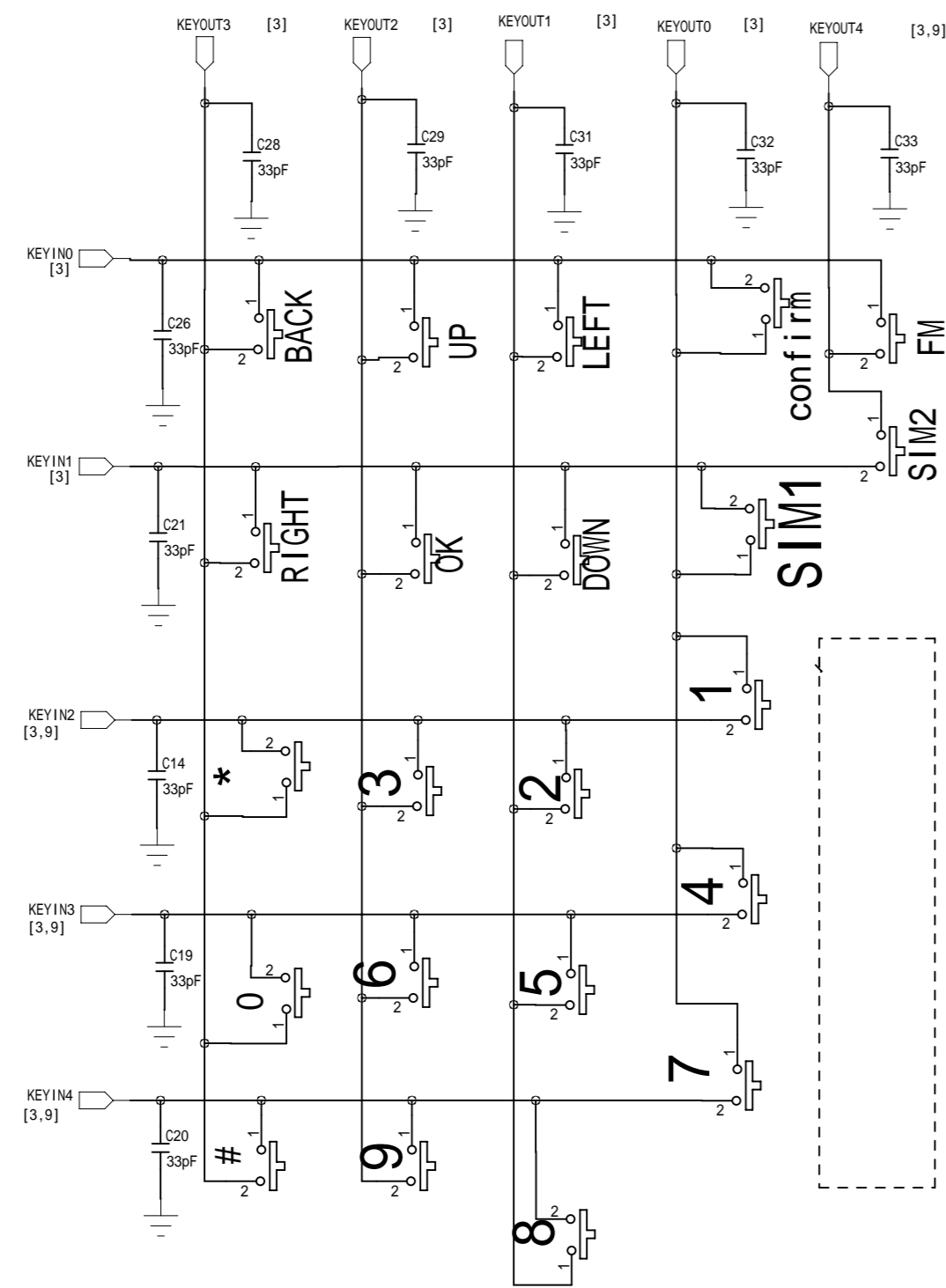
REVISION RECORD			
LTR	EOD NO.	APPROVED:	DATE:



SPK

TITLE & REV: SC6600L_SP6601L_SCH_V1.0.3	
DOCUMENT NO.:	
DESIGNER:	DEPARTMENT: Hardware RD.
EQA:	COMPANY: Spreadtrum communications, Inc.
APPROVED:	CONFIDENTIAL AND PROPRIETARY

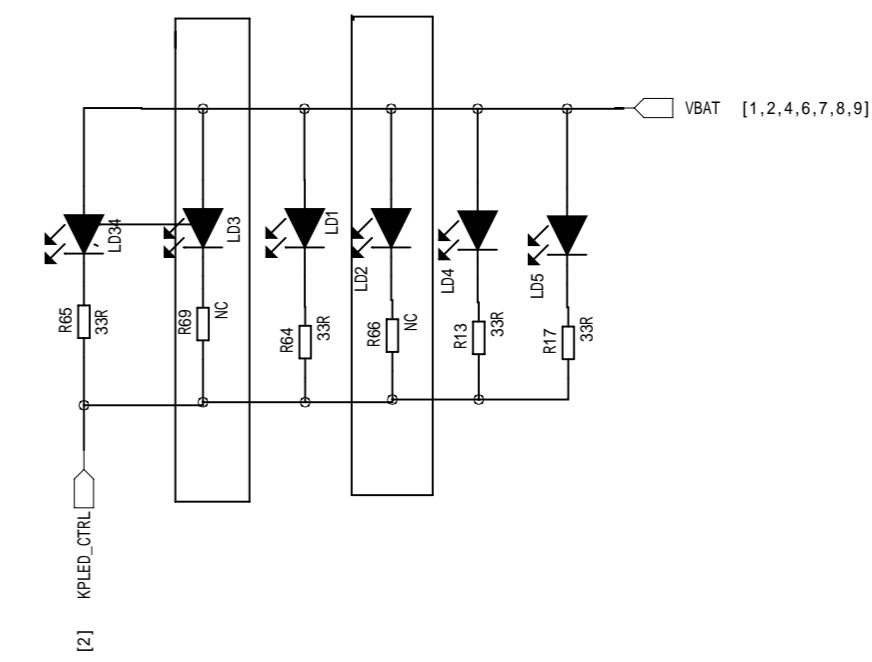
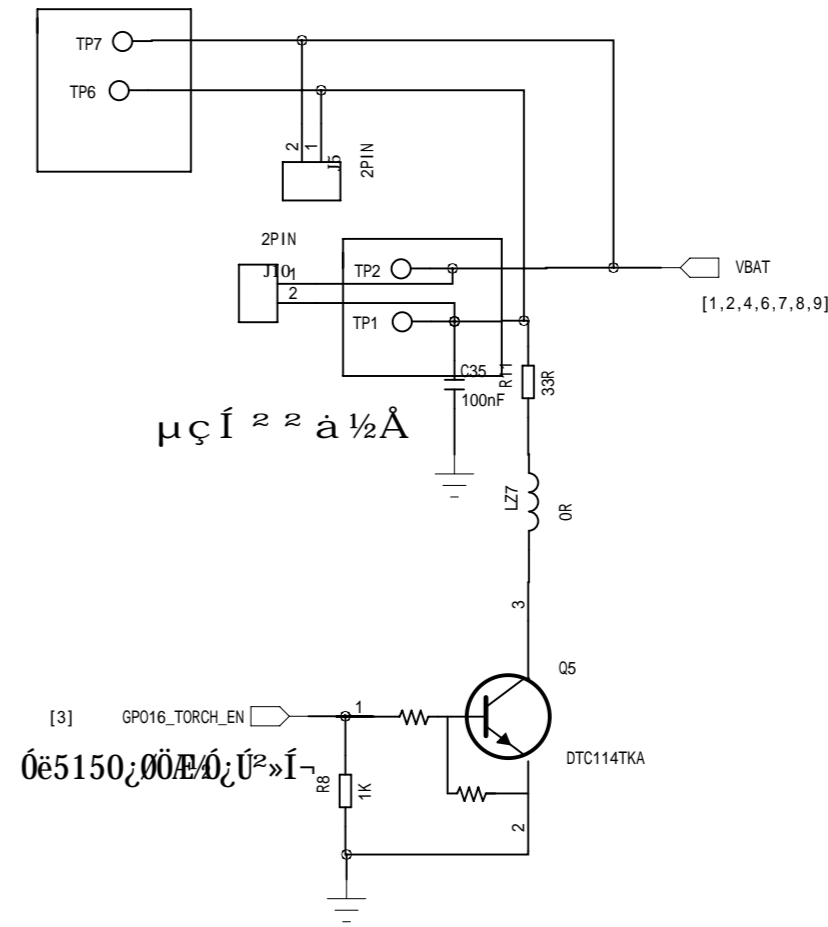
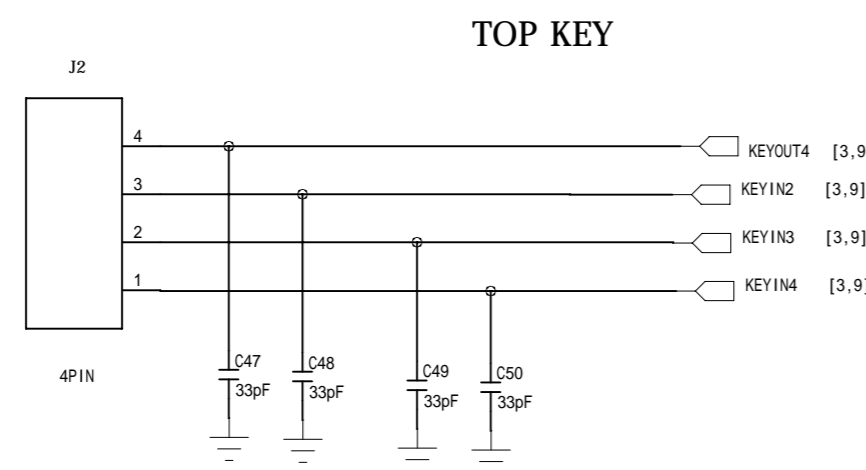
REVISION RECORD			
LTR	ECO NO:	APPROVED:	DATE:



ONKEY high active

KEY_LED

	KROW0	KROW1	KROW2	KROW3	KROW4	
KCL0	LS	TALK	1	4	7	
KCL1	LEFT	DOWN	2	5	8	
KCL2	UP	OK	3	6	9	
KCL3	RS	RIGHT	*	0	#	
KCL4	SIM2	MUSIC		+	-	



TITLE & REV: SC6600L_SP6601L_SCH_V1.0.3

DOCUMENT NO.:

DESIGNER:	DATED:	DEPARTMENT:
		Hardware RD.
EGA:	DATED:	COMPANY:
		Spreadtrum communications, Inc.
APPROVED:	DATED:	