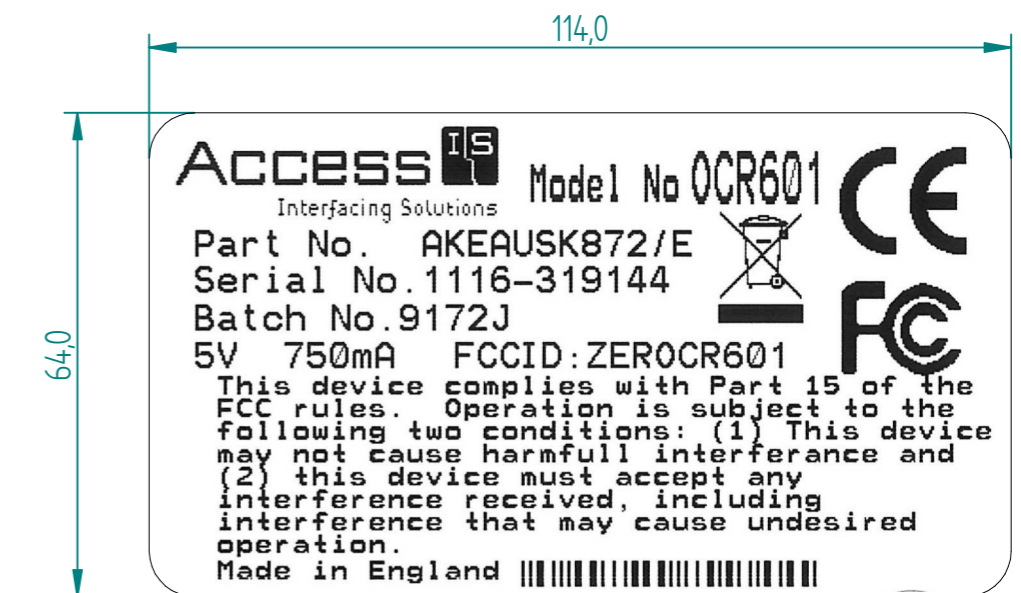
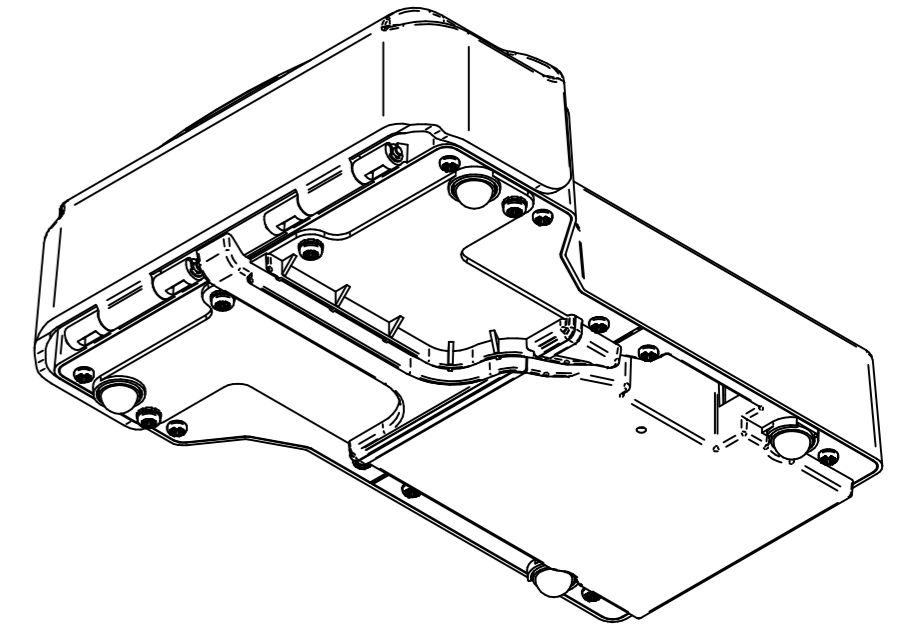
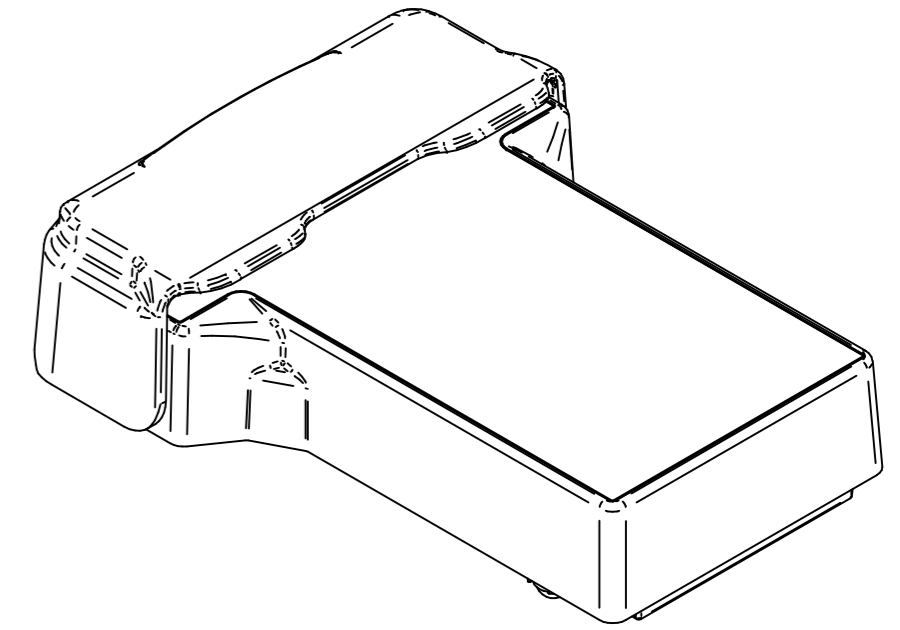
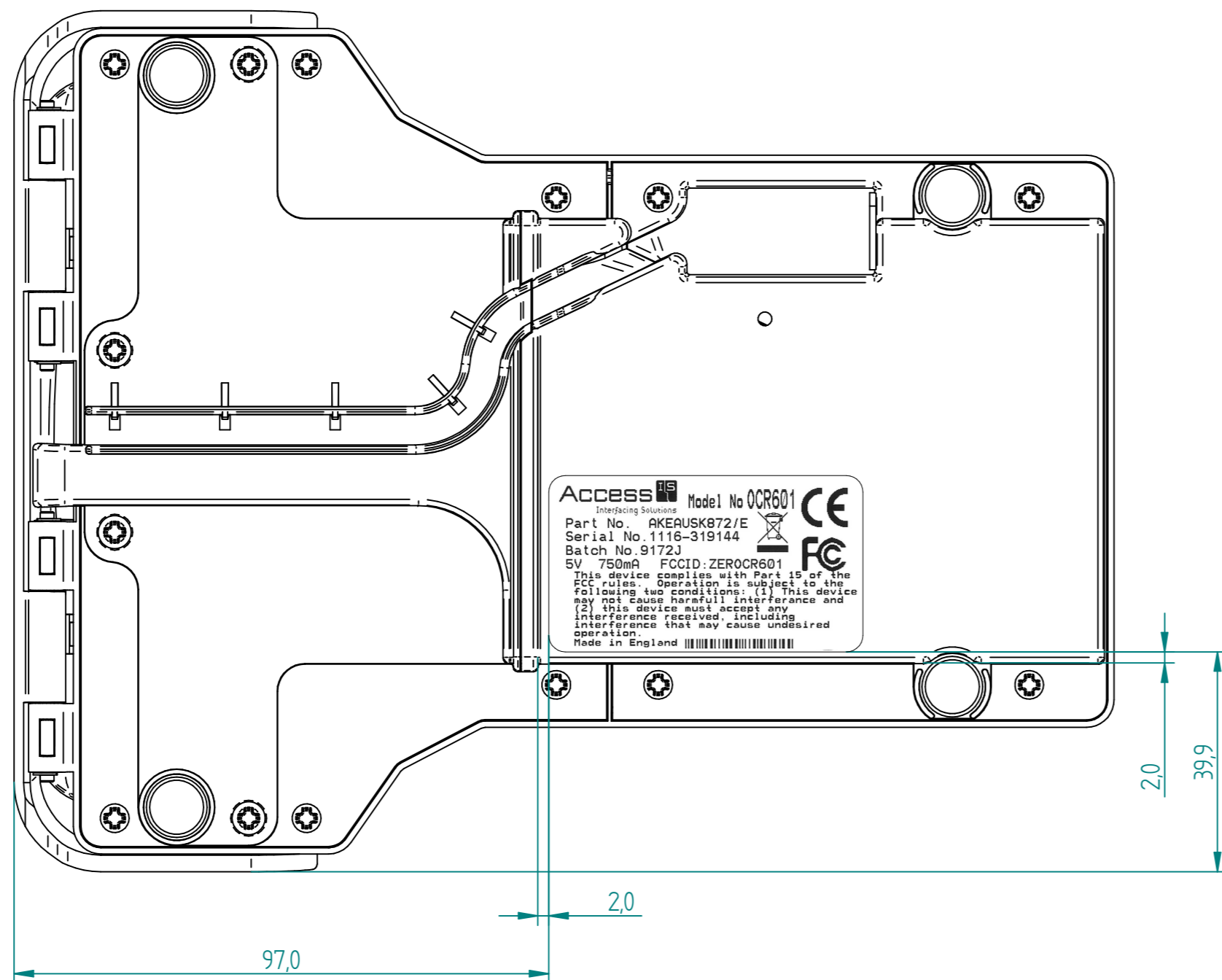


DRAWING NO.
AC3116



SCALE: 2:1

DRAWN BY TK CHECKED ISSUE B ENG INIT. DATE 03/05/2011	FURNISHED IN CONFIDENCE BY ACCESS LTD. THE COPYRIGHT OF THIS DRAWING IS THE PROPERTY OF ACCESS LTD. THE DRAWING IS SUPPLIED IN CONFIDENCE AND MUST NOT BE USED FOR ANY PURPOSE OTHER THAN THAT FOR WHICH IT IS SUPPLIED. IT MUST NOT BE REPRODUCED WITHOUT THE EXPRESS WRITTEN PERMISSION OF ACCESS LTD.	TOLERANCES X = +/- 0.5 X.0 = +/- 0.2 X.00 = +/- 0.1 ANG = +/- 0.5 UNLESS OTHERWISE STATED DIMENSIONS IN MM	A2 SCALE 1:1	MATERIAL SEE NOTES FINISH SEE NOTES	ACCESS LTD. TITLE OCR601 LABEL PLACEMENT LOCATION	READING, BERKSHIRE. DRAWING NO. AC3116
---	---	--	-------------------------------	--	--	--