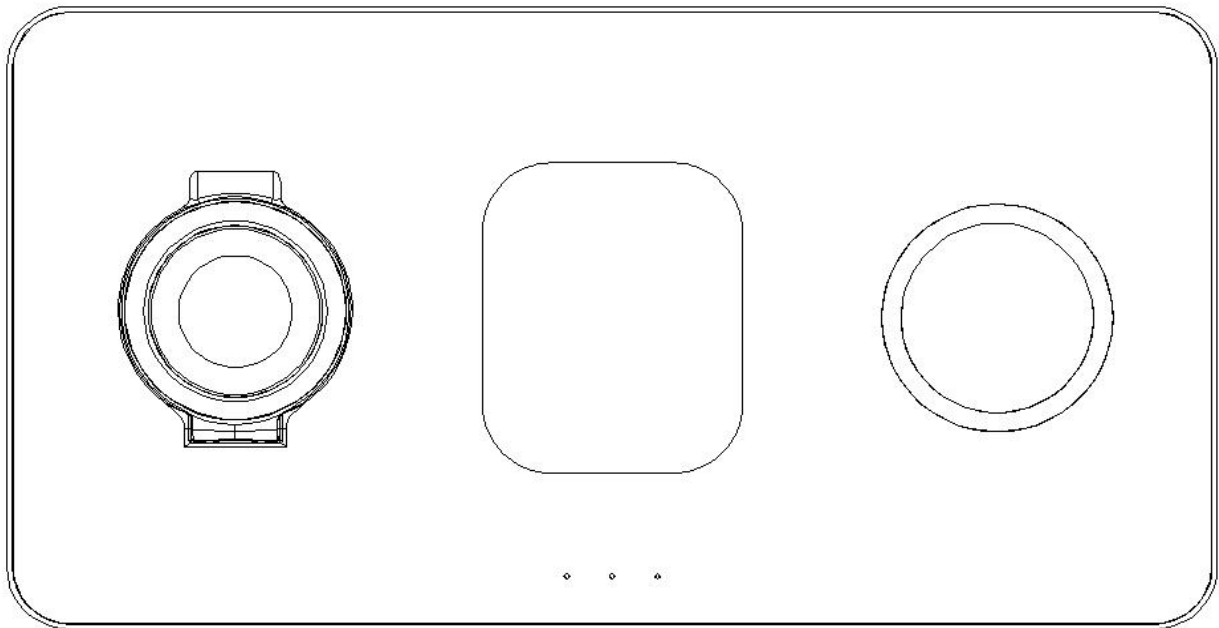




ST-X3TWCPCP-5

User Manual

(Version: 1.0)



Declaration

Thank you very much for choosing this product! Please read the instruction manual carefully before using this product. All the information in this manual may be changed without notice.



1. Product Introduction and Accessories

1.1 Product Introduction

D346 is a wireless charger that supports Qi 5W/Apple 7.5W/Samsung 10W/Fast Charging.

1.2 Product Accessories List

1.2.2	ST-X3TWCPSM & ST-X3TWCPS		1pc
1.2.2	P1B wall charger with changeable UK & EU plugs	1pc	
1.2.3	C TO C cable	1pc	
1.2.4	User Manual	1pc	

1.3 Applicable equipment:

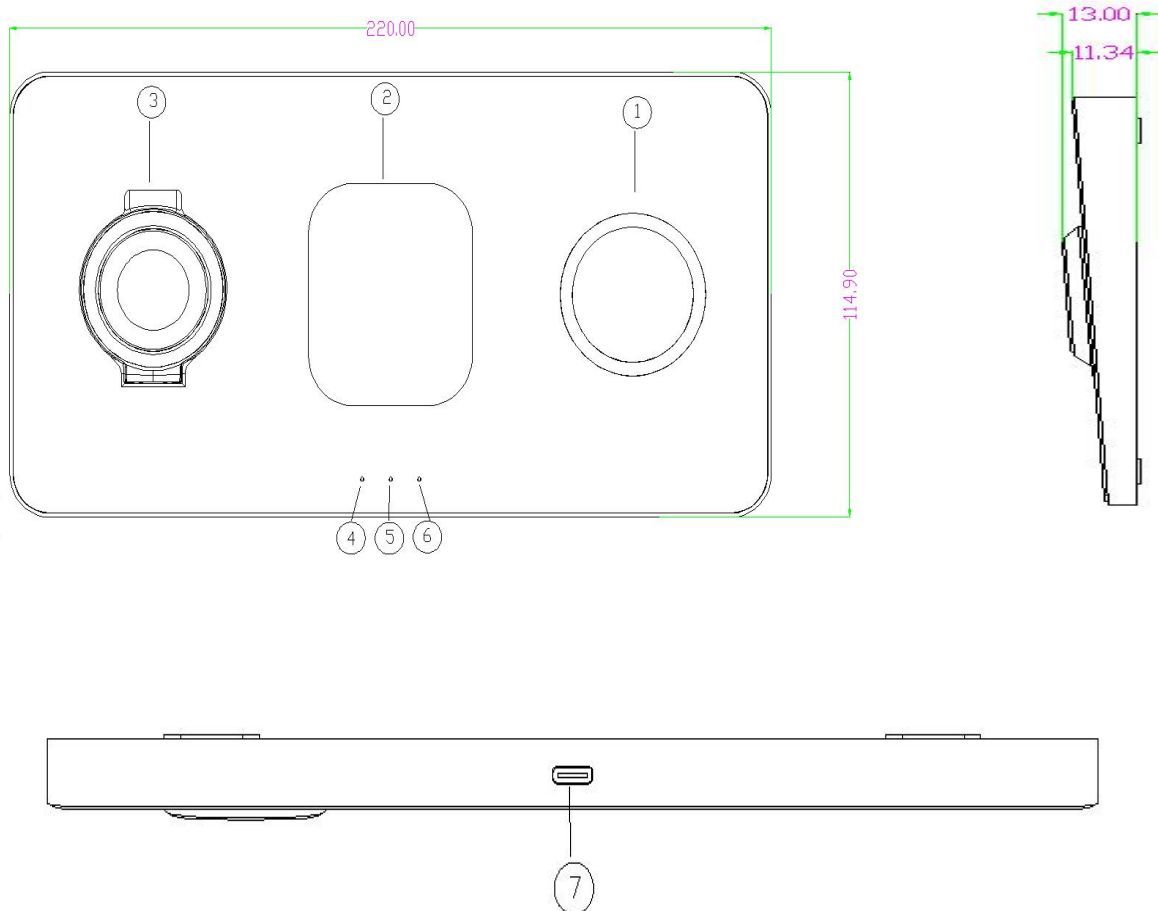
- 1.3.1 Qi standard is electromagnetic induction type, suitable for contact charging
- 1.3.2 This product is suitable for Qi standard products, suitable for equipment with power of 5W 7.5W 10W. The charger of Qi standard uses the same frequency as the equipment, so it is the working area of Qi standard products that contacts each other, and all Qi devices are compatible with each other.
- 1.3.3 Apple watch special shooting module, compatible with Apple watch series 1, 2, 3, 4, 5 generation
- 1.3.4 Air Pods

2. Product Specification

- 2.1 Working voltage: DC-DC QC2.0/QC3.0 5V/3, 9V/3A PD:15V/2A, 12V/2A, 9V/3A, 5V/3A
- 2.2 static current: 150mA±10%
- 2.3 Rated working current:0-3000mA/Max
- 2.4 Product size: L220*W114.9*H13mm
- 2.5 Product weight: 266g

3. Appearance and Interface

3.1 Product outline



3.2 Product function description

- 1: Wireless charging transmitter (TX), support 5W, 7.5W, 10W output.
- 2: Wireless charging transmitter (TX) with support for Air Pods and 5W output.
- 3: Apple watch charger launch module supports wireless charging of Apple watch generation 1 to 5.
- 4: Apple watch charger module power on and charging indicator.
- 5: Wireless charging transmitter (TX), Air Pods and 5W output power on and charging indicator.
- 6: Wireless charging transmitter (TX), 5W, 7.5w, 10W output power on and charging indicator.

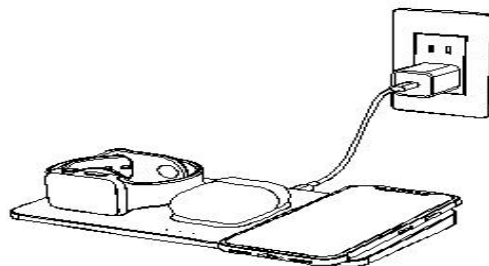
7: The power input (type-c interface) supports max current of 3000mA.

3.3: Indicator light function description

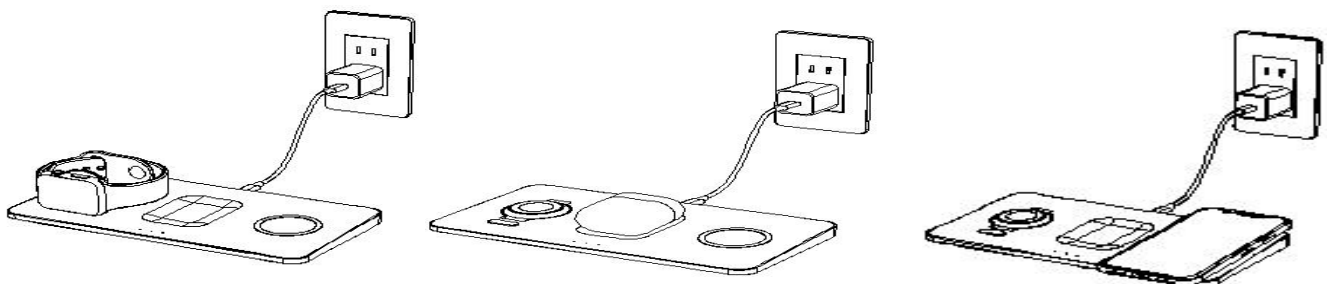
- 3.3.1: When 5V, 9V, 12V and 15V are input and powered on, the indicator light will display white for 3 seconds.
- 3.3.2: When 5V, 9V, 12V, 15V are input, the indicator will display the color when charging. When 5W, 7.5w, and 10W are charged, they will all display white.
- 3.3.3: FOD indicator light shows white when 5V, 9V, 12V, 15V are input, and the LED flashes when FOD, and the flashing speed is 1Hz.
- 3.3.4: Take away the mobile phone LED prompt during charging. Keep the white LED light on for 10 seconds when taking away 5W, 7.5w and 10W devices.
- 3.3.5: When the input voltage is 5V, 9V, 12V, 15V, 5W, 7.5w, and 10W are fully charged, the white light is always on.
- 3.3.6: The charging indicator of Apple watch indicates that it will be on for 3S and then go off, while the LED will be always on during charging, so there may be intervals during charging. Depending on the type of Apple watch, the LED may go off when the charge is 95% to 100%.
- 3.2.7: The LED indicator goes off when the Air Pods are charging, causing a break of about 2 minutes.

4. Function instructions

4.1 Product connection diagram 1



4.2 Product and equipment charging diagram 2



Note: the phone should be positioned at the center point of ST-X3TWCPSM & ST-X3TWCPS. If the phone is



placed too far away, ST-X3TWCPM & ST-X3TWCPS will not be able to sense the phone, resulting in the inability to charge the phone

5. Product Precautions

5.1 Do not allow any object (such as fuel, needle) or any liquid (such as water, drink) to fall into or seep into the product, causing the product to be unable to use normally.

5.2 Do not use or place the product in the following places: wet environment (such as bathroom, toilet); Exposure to dusty environment, stale objects inside.

5.3 If the equipment is not used for a long time, the product should be packed in plastic bags and stored in the packaging box to prevent dust accumulation and bad socket contact caused by socket oxidation.

5.4 Do not repair or replace any part of this machine (unless otherwise instructed in this manual). Please leave all repairs to your distributor or authorized agent.



FCC STATEMENT :

This device complies with Part 15 of the FCC Rules. Operation is subject to the following two conditions:

- (1) This device may not cause harmful interference.
- (2) This device must accept any interference received, including interference that may cause undesired operation.

Warning: Changes or modifications not expressly approved by the party responsible for compliance could void the user's authority to operate the equipment.

NOTE: This equipment has been tested and found to comply with the limits for a Class B digital device, pursuant to Part 15 of the FCC Rules. These limits are designed to provide reasonable protection against harmful interference in a residential installation. This equipment generates uses and can radiate radio frequency energy and, if not installed and used in accordance with the instructions, may cause harmful interference to radio communications. However, there is no guarantee that interference will not occur in a particular installation. If this equipment does cause harmful interference to radio or television reception, which can be determined by turning the equipment off and on, the user is encouraged to try to correct the interference by one or more of the following measures:

- Reorient or relocate the receiving antenna.
- Increase the separation between the equipment and receiver.
- Connect the equipment into an outlet on a circuit different from that to which the receiver is connected.
- Consult the dealer or an experienced radio/TV technician for help.

FCC Radiation Exposure Statement:

This equipment complies with FCC radiation exposure limits set forth for an uncontrolled environment. This equipment should be installed and operated with minimum distance 20cm between the radiator & your body.