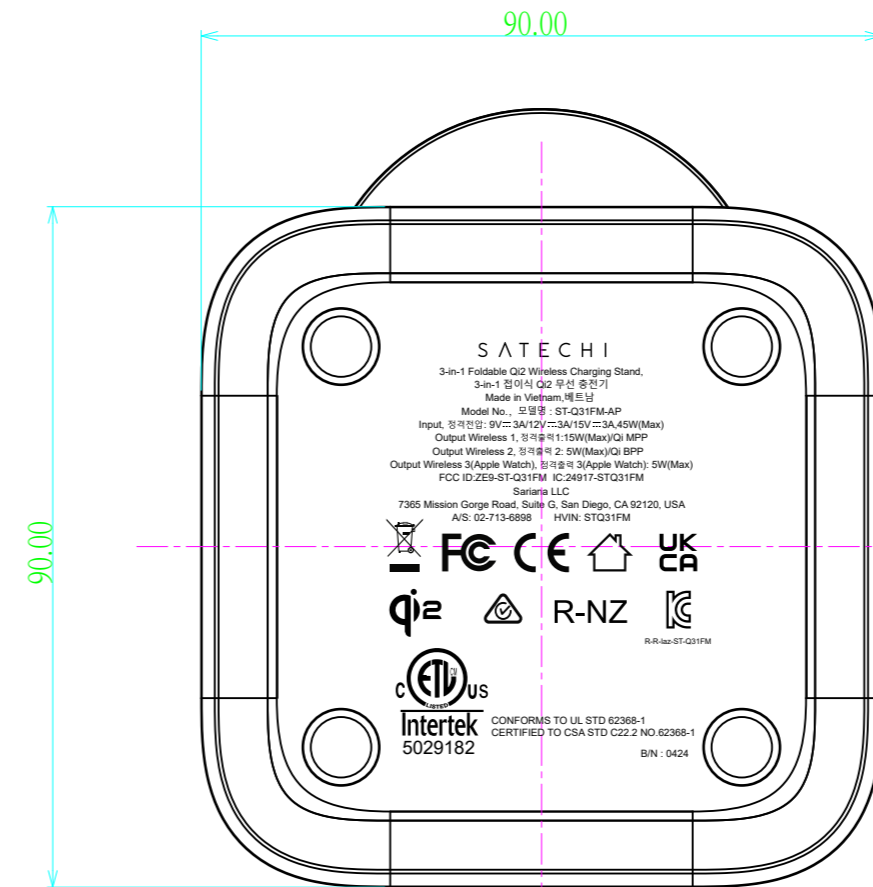
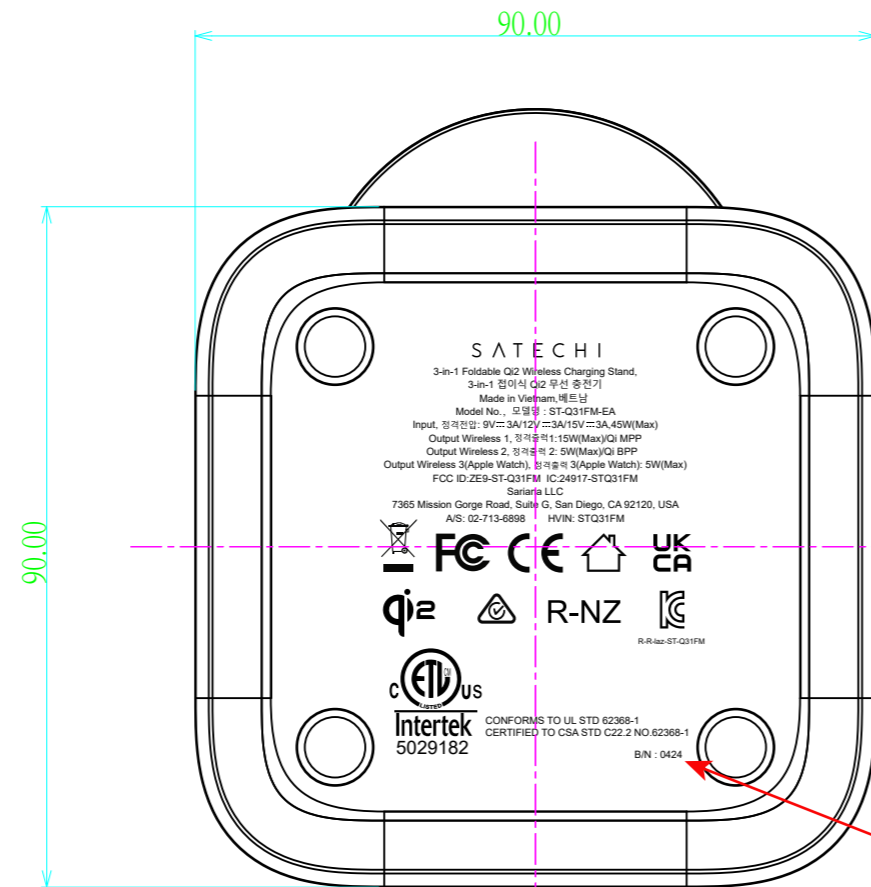


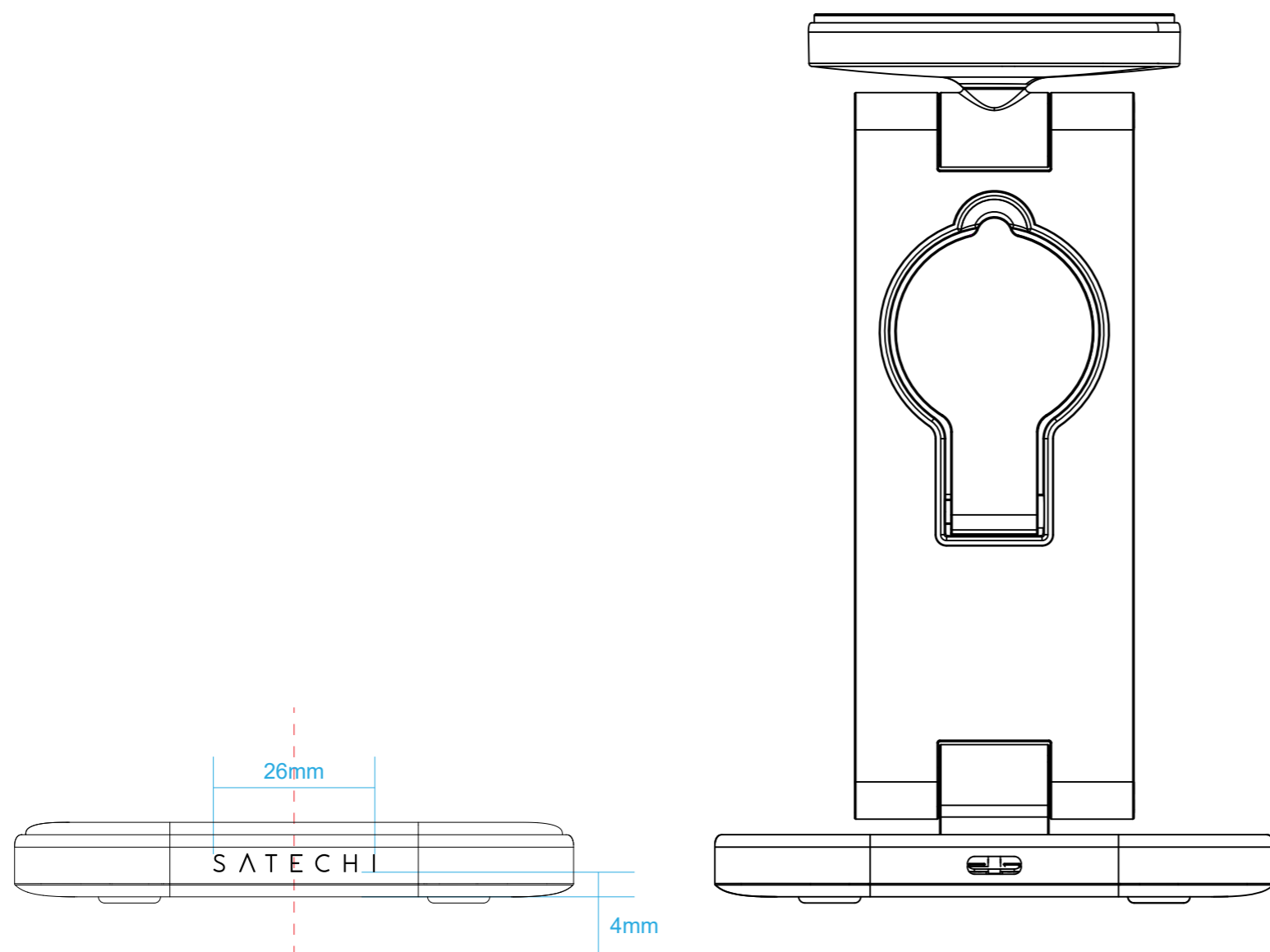
REV.	ECN NO.	DESCRIPTION	DATE	DESIGN
A/0		NEW		

**For ST-Q31FM-EA**

**For ST-Q31FM-AP**



04 24  
 月份 (04) 年份 (2024)  
 updated by order



HK Broad Technology Co., Ltd.									
DIM.	TOL.	DIM.	TOL.	TITLE.	PART NO.				
X	± 0.50	X	± 2.00	ST-Q31FM-EA & ST-Q31FM-AP 備離檔案					
X.X	± 0.30	X.X	± 1.0	DWG NO.	P/N NO.				
X.XX	± 0.20	X.XX	± 0.5						
X.XXX	± 0.10	X.XXX	± 0.2						
⊕ : CPK	DRAWN:	TYC		MATERIAL:					
⊕ : PPK	CHECKED:			UNIT:	SCALE:	SHEET.			
	APPROVAL:			mm	1:1	1 / 1			
				PROJ.	REV.	A / 0			