

## Specification for Approval

Customer: \_\_\_\_\_

Customer Part No.: \_\_\_\_\_

Supplier: \_\_\_\_\_

Spec description: \_\_\_\_\_

Supplier Part No.: J-FDIMPP

Date: 2023/6/1

Version: A.0

Draw: \_\_\_\_\_

Supplier Approve		Customer Approve
EE Confirm by	PE Confirm by	
QE Confirm by	Approval by	

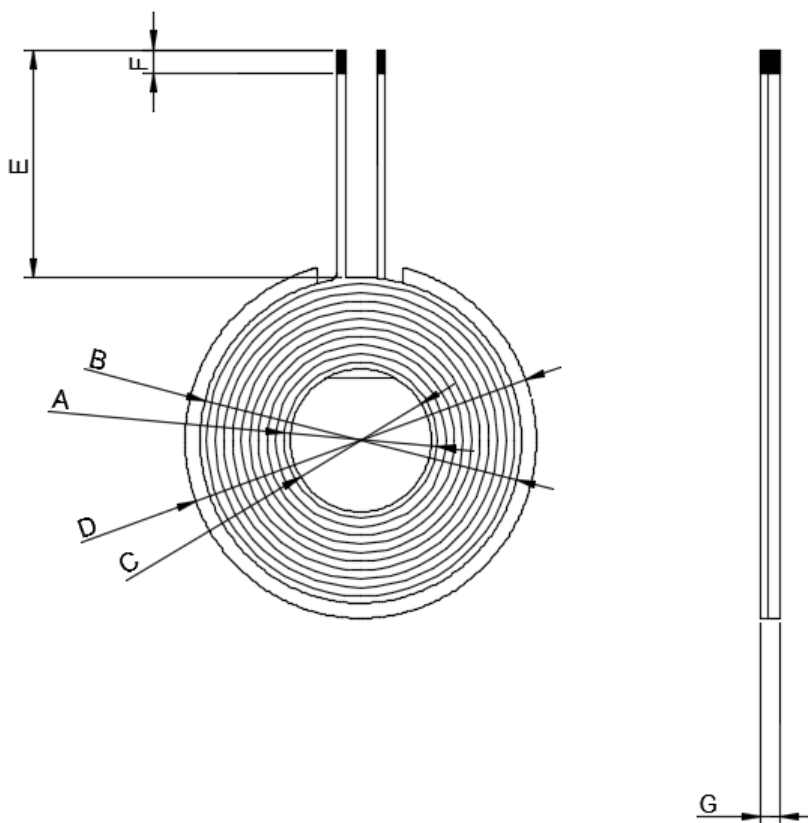
### Version Change History

Revision	Before change	After change	Date	Approval by
A.0	—	Initial Release)	2023/6/1	

# 1. Manufacturer information

Items	Manufacturer name	Approval
The first resource		
The second resource		

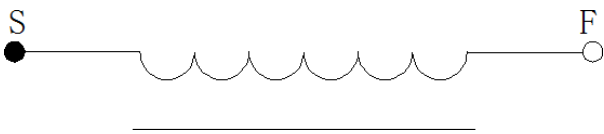
# 2. Dimension specification



单位(Unit):毫米(mm)

A	B	C	D	E	F	G
20.5±0.5	39±1	19.5±0.3	42.5±0.5	8±1	4±1.5	2.05±0.1

### 3. Schematic diagram



### 4. Electronic character

TEMPERATURE:  $25 \pm 10^{\circ}\text{C}$ , RELATIVE HUMIDITY :  $65 \pm 20\%$

TIEM	SPECIFICATION	TEST FREQUENCY	TEST EQUIPMENTS
IND	$8.4\text{UH} \pm 10\%$	100 KHZ/1.0V	LCRMETRTH2830N
DCR	50m $\Omega$ Max	\	PH2511S
Q	$100 \pm 10\%$	100 KHZ/1.0V	LCRMETRTH2830N

### 5. Coil specification

Turns	Wire Dia.	/ Wdg. Type Spred/Close	Wdg.Direction	/ Intersect Yes/Not	Coil Positive/Anti Paste
11T S	0.08*80P  (Silk-Covered Wire)	(Close)	(Anticlockwise)	(Yes)	(Anti-/Paste)

## 6. Bill of materials

number	Material name	Description	Material Code
1		0.08*80P	
2		G42.5*19.5*2.0H	
3		JS-E103	
4			
5			
6			
7			