

S A T E C H I



ALUMINUM WIRED KEYBOARD FOR MAC
USER MANUAL



THANK YOU FOR CHOOSING
S A T E C H I

A SLEEK ADDITION TO YOUR APPLE SET-UP

Featuring enhanced scissor switch keys and an extended keyboard layout. The Satechi Aluminum Wired Keyboard includes convenient function hot keys, full numeric keypad and a USB™ Type-A connection. Enjoy long lasting productivity with a key lifespan of 3 million clicks. With additional Fn Keys, it has never been easier to customize your work flow with a press of a button.

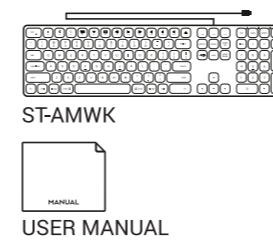
SPECIFICATIONS

MODEL ST-AMWK
DIMENSIONS 17" x 4.7" x 0.4"
WEIGHT 477.6g
CONNECTIVITY USB-A
CABLE LENGTH 55"

SYSTEM REQUIREMENTS

MACOSX v10.4 or later
IOS v6 or later
WINDOWS 7/8/10 or later

CONTENTS



Ergonomics
Take care when using your electronic devices for long periods of time. Avoid long harmful actions such as repetitive motions, awkward positions and prolonged use in order to prevent physical damage. Take frequent breaks and use proper positioning when laying out your workspace



This device complies with part 15 of the FCC results. Operation is subject to the following two conditions:

1. This device may not cause harmful interference and
2. This device must accept any interference received, including interference that may cause undesired operation.

Note: This Equipment has been tested and found to comply with the limits for a class B digital device, pursuant to Part 15 of the Federal Communications Commission (FCC) rules. These limits are designed to provide reasonable protection against harmful interference in a residential installation. This equipment generates, uses, and can radiate radio frequency energy and, if not installed and used in accordance with the instructions, may cause harmful interference to radio communications. However, there is no guarantee that interference will not occur in a particular installation. If this equipment does cause harmful interference to radio or television reception, which can be determined by turning the equipment off and on, the user is encouraged to try to correct the interference by one or more of the following measures:

- 1.1. Reorient or relocate the receiving antenna
- 1.2. Increase the separation between the equipment and receiver
- 1.3. Connect the equipment into an outlet on a circuit different from that to which the receiver is connected
- 1.4. Consult the dealer or an experienced radio/TV technician for help

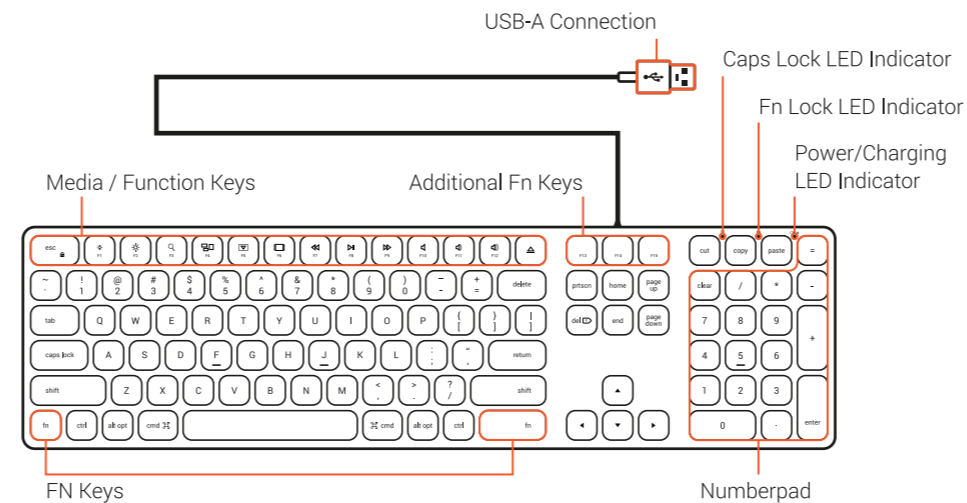
Changes or modifications not expressly approved by the manufacturer could void the user's authority operate the equipment.



Satechi declares that this product is in compliance with the essential requirements and other relevant provisions of applicable EC directives. For Europe, a copy of the Declaration of Conformity for this product may be obtained by visiting www.satechi.net/doc

Phone: 858-268-1800
Email: sales@satechi.com
www.satechi.net

FUNCTIONS



Note: The keyboard layout function is based on iOS and MAC OS default setting. The output might differ for different OS.

HOT KEY FUNCTION & SUPPORT TABLE:

	MAC OS FUNCTION	iOS FUNCTION
	Decrease Brightness	Decrease Brightness
	Increase Brightness	Increase Brightness
	Spotlight Search	Spotlight Search
	Mission Control (Show all app windows)	N/A
	App Windows (Show current app windows)	N/A
	App Switcher	N/A
	Previous Track	Previous Track
	Play / Pause	Play / Pause
	Next Track	Next Track
	Mute	Mute
	Volume Down	Volume Down
	Volume Up	Volume Up
	Media Eject	N/A
	Fn Lock	Fn Lock
	Screenshot/Print Screen	Screenshot/Print Screen
	Delete/Backspace	Delete/Backspace
	Cut	Cut
	Copy	Copy
	Paste	Paste
	Clear	Clear
F14	Decrease Brightness	Decrease Brightness
F15	Increase Brightness	Increase Brightness

KEYBOARD SETUP ASSISTANT

On Mac, the first time you plug in the Satechi Aluminum Wired Keyboard a "Keyboard Setup Assistant" window will show. Please follow the on-screen instruction to identify the keyboard before you can use the keyboard correctly.

After initial setup, if you experience any issue with keyboard or cannot type correctly, unplug and replug the keyboard, open keyboard icon in System Preferences, click on "Change Keyboard Type" icon to run Keyboard Setup Assistant & re-identify the keyboard.