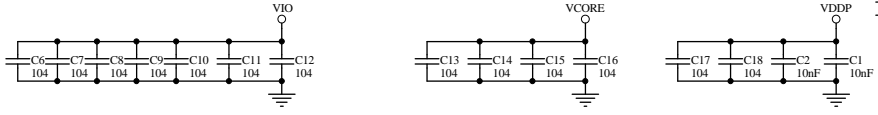
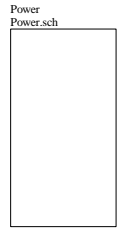
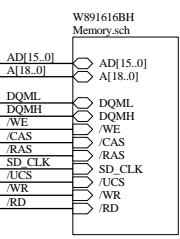


- 1:XXX
- 2:TMS
- 3:TDI
- 4:TDO
- 5:TCK
- 6:GND
- 7:VCCIO

JTAG Connector



75M

U1

R1610C

AD15_01

A18_01

RDC1610C

D

C

B

A

D

C

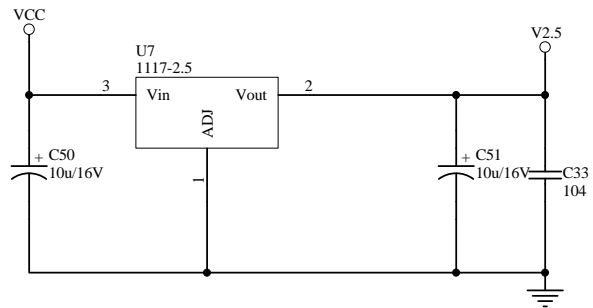
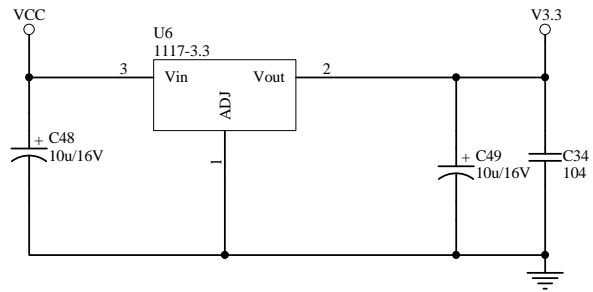
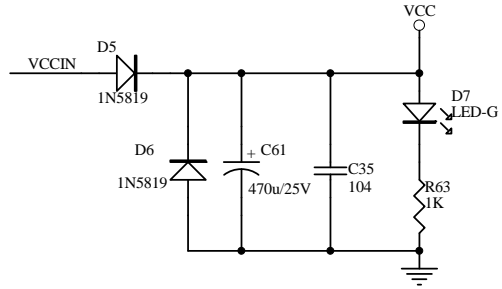
B

A

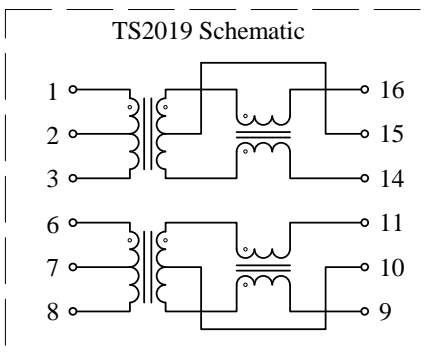
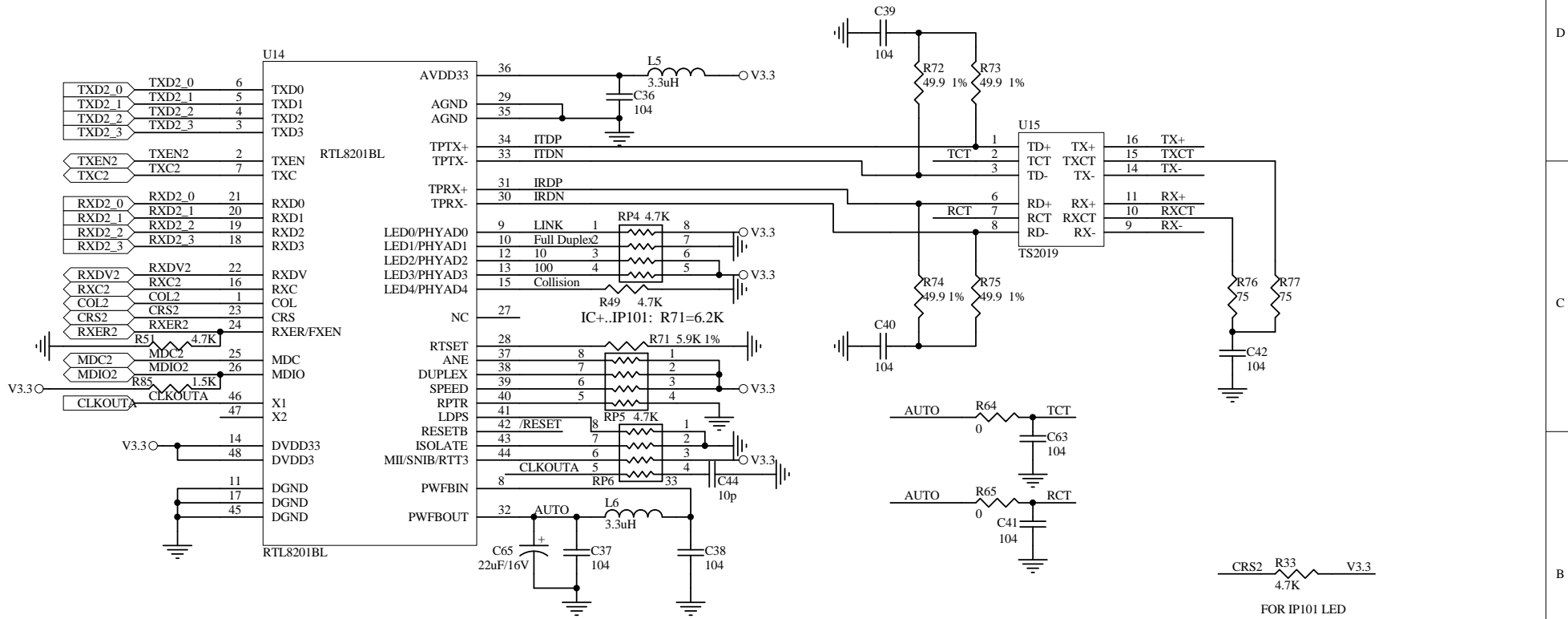
1 2 3 4 5 6 7 8

1 2 3 4 5 6 7 8

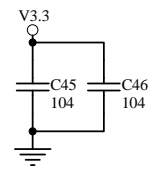
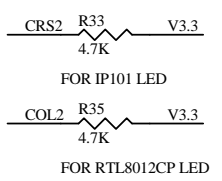
POWER

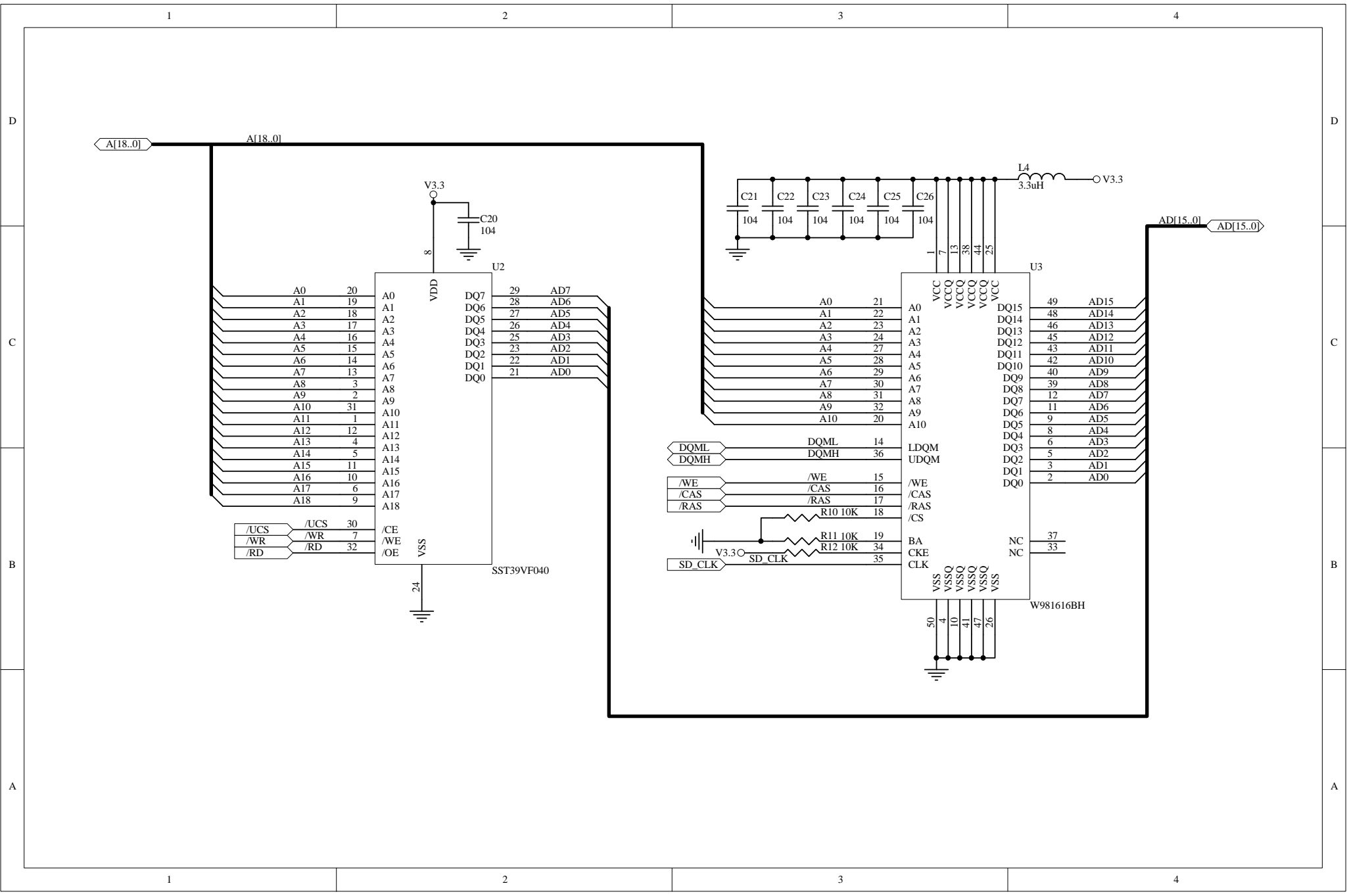


	board
TX+	4
TX-	5
RX+	6
RX-	7
PIO11	24
GND	26
RTS1/TDO	33
SIN1	34
SOUT1	35
V3.3	36
DSR1/TCK	37
CTS1/TMS	38
DCD1/TDI	39
DTR1/SBWSEL	40
GND	41
Full Duplex	56
10	57
LINK	58
Collision	59
100	60
VCCIN	61
GND	63
NC	64

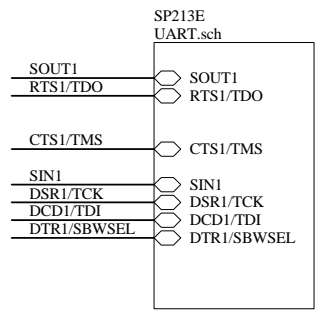
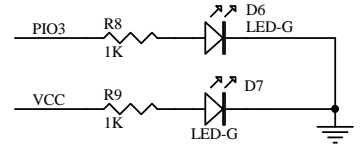
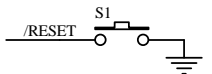
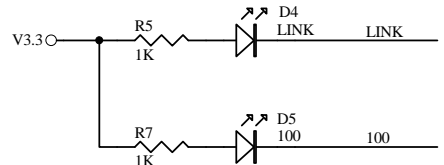
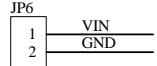
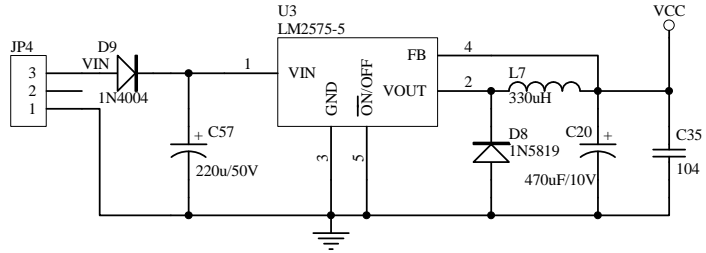


PHY address set to 01101
 Hardwire Configuration network:
 Enable: Auto negotiation,
 Full duplex, 100Mbps,
 MII interface
 Disable: Link Down Power Saving
 ,
 Isolate,





POWER



RJ45

