

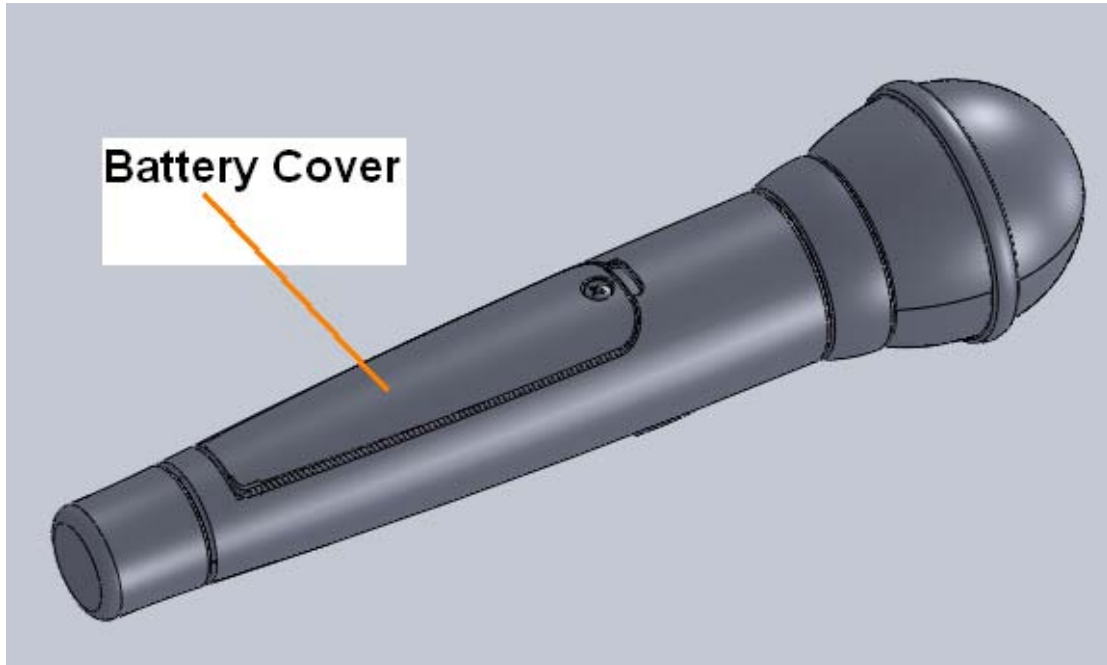
FCC ID: ZDMAM71DS61M

IC: 9200A-AM71DS61M

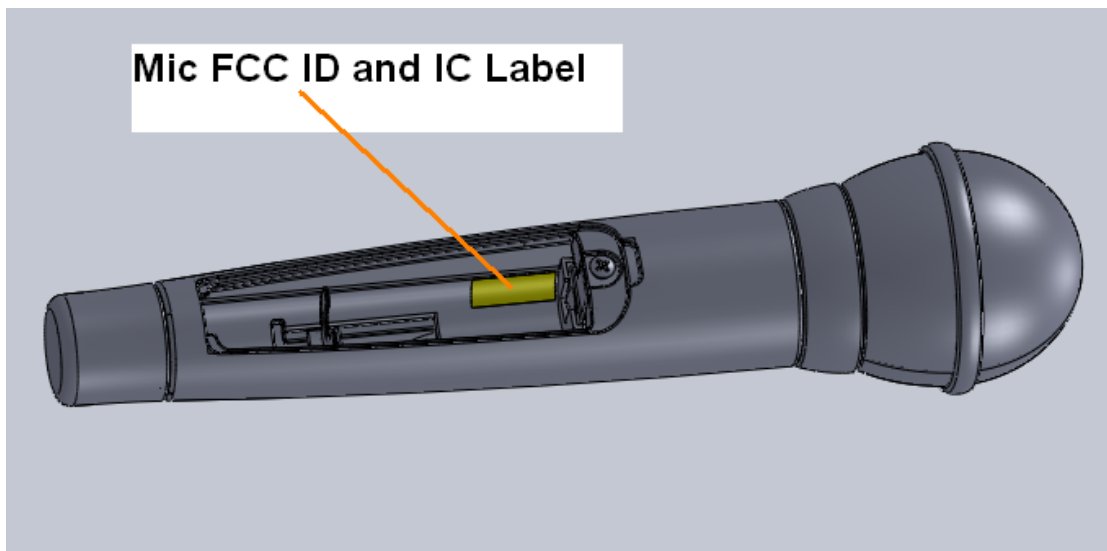
Model : AM71 & DS61:

Subject : Label arrangement and Position.

Date : 18th Aug2011



After Battery Cover is removed.



Model: AM71 FCC ID: ZDMAM71DS61M IC: 9200A-AM71DS61M

Model: DS61 FCC ID: ZDMAM71DS61M IC: 9200A-AM71DS61M

Mic Mody

AM71

DS61

Dimension : 18mm x 6mm (width)