

FCC PART 15.247

TEST REPORT

For

ShenZhen Foscam Intelligent Technology Co., Ltd.

5/F, Block 1, Vision Business Park, Nanshan District, Shenzhen, PRC

FCC ID: ZDEFI9803W

Report Type: Original Report	Product Type: HD Wireless IP Camera
Test Engineer: Simon Wang	<i>Simon wang</i>
Report Number: RSZ140310011-00A	
Report Date: 2014-05-16	
Reviewed By: Jimmy Xiao RF Engineer	<i>Jimmy xiao</i>
Prepared By: Bay Area Compliance Laboratories Corp. (Shenzhen) 6/F, the 3rd Phase of WanLi Industrial Building ShiHua Road, FuTian Free Trade Zone Shenzhen, Guangdong, China Tel: +86-755-33320018 Fax: +86-755-33320008 www.baclcorp.com.cn	

Note: This test report is prepared for the customer shown above and for the equipment described herein. It may not be duplicated or used in part without prior written consent from Bay Area Compliance Laboratories Corp.

TABLE OF CONTENTS

GENERAL INFORMATION.....	4
PRODUCT DESCRIPTION FOR EQUIPMENT UNDER TEST (EUT)	4
OBJECTIVE	4
RELATED SUBMITTAL(S)/GRANT(S).....	4
TEST METHODOLOGY	4
TEST FACILITY	5
SYSTEM TEST CONFIGURATION.....	6
DESCRIPTION OF TEST CONFIGURATION	6
EUT EXERCISE SOFTWARE	6
EQUIPMENT MODIFICATIONS	6
SUPPORT EQUIPMENT LIST AND DETAILS	7
EXTERNAL I/O CABLE.....	7
BLOCK DIAGRAM OF TEST SETUP	8
SUMMARY OF TEST RESULTS	9
FCC §15.247 (i) & §1.1307 (b) (1) & §2.1091- MAXIMUM PERMISSIBLE EXPOSURE (MPE).....	10
APPLICABLE STANDARD	10
RESULT	10
FCC §15.203 - ANTENNA REQUIREMENT.....	11
APPLICABLE STANDARD	11
ANTENNA CONNECTOR CONSTRUCTION	11
FCC §15.207 (a) – AC LINE CONDUCTED EMISSIONS	12
APPLICABLE STANDARD	12
MEASUREMENT UNCERTAINTY	12
EUT SETUP	12
EMI TEST RECEIVER SETUP.....	13
TEST PROCEDURE	13
TEST EQUIPMENT LIST AND DETAILS.....	13
TEST RESULTS SUMMARY	13
TEST DATA	14
FCC §15.209, §15.205 & §15.247(d) - SPURIOUS EMISSIONS.....	17
APPLICABLE STANDARD	17
MEASUREMENT UNCERTAINTY	17
EUT SETUP	17
EMI TEST RECEIVER & SPECTRUM ANALYZER SETUP	18
TEST PROCEDURE	18
TEST EQUIPMENT LIST AND DETAILS.....	18
CORRECTED AMPLITUDE & MARGIN CALCULATION	19
TEST RESULTS SUMMARY	19
TEST DATA	19
FCC §15.247(a) (2) – 6 dB EMISSION BANDWIDTH.....	28
APPLICABLE STANDARD	28
TEST DATA	28
FCC §15.247(b) (3) - MAXIMUM PEAK OUTPUT POWER	29
APPLICABLE STANDARD	29

TEST DATA29

FCC §15.247(d) – 100 kHz BANDWIDTH OF FREQUENCY BAND EDGE.....30

 APPLICABLE STANDARD30

 TEST DATA30

FCC §15.247(e) - POWER SPECTRAL DENSITY31

 APPLICABLE STANDARD31

 TEST DATA31

PRODUCT SIMILARITY DECLARATION LETTER.....32

FINAL

GENERAL INFORMATION

Product Description for Equipment under Test (EUT)

The *ShenZhen Foscam Intelligent Technology Co., Ltd.*'s product, model number: *FI9803W* (FCC ID: *ZDEFI9803W*) or the "EUT" in this report was a *HD Wireless IP Camera*, which was measured approximately: 153 mm (L) x 92 mm (W) x 86 mm (H), rated with input voltage: DC 12V from adapter.

Adapter Information:

Model: FP01210

Input: AC 100-240V, 50/60Hz, 0.5A

Output: DC 12V, 1A

Note: The product, series model FI9803W, EH9502, HD950W, FC5410W, FC5410P, FI9803P, HD950P, HD950, EH9505, FI9803, FC5410, EH9501, FI9803E, FI9803EP, FC5410E, FC5410EP, EH9503 and HD950E are electrically identical, the only difference among them is their model numbers. Model FI9803W was selected for fully testing.

**All measurement and test data in this report was gathered from production sample serial number: 1403069 (Assigned by BACL, Shenzhen). The EUT supplied by the applicant was received on 2014-03-10.*

Objective

This report is prepared on behalf of *ShenZhen Foscam Intelligent Technology Co., Ltd.* in accordance with Part 2-Subpart J, Part 15-Subparts A, B and C of the Federal Communication Commissions rules.

The tests were performed in order to determine compliance with FCC Part 15, Subpart C, and section 15.203, 15.205, 15.207, 15.209 and 15.247 rules.

Related Submittal(s)/Grant(s)

No related submittal(s).

Test Methodology

All measurements contained in this report were conducted with ANSI C63.4-2009, American National Standard for Methods of Measurement of Radio-Noise Emissions from Low-Voltage Electrical and Electronic Equipment in the range of 9 kHz to 40 GHz.

All emissions measurement was performed at Bay Area Compliance Laboratories Corp. (Shenzhen). The radiated testing was performed at an antenna-to-EUT distance of 3 meters.

Measurement uncertainty with radiated emission is 5.91 dB for 30MHz-1GHz and 4.92 dB for above 1GHz, 1.95dB for conducted measurement.

Test Facility

The test site used by Bay Area Compliance Laboratories Corp. (Shenzhen) to collect test data is located on the 6/F, the 3rd Phase of WanLi Industrial Building, ShiHua Road, FuTian Free Trade Zone Shenzhen, Guangdong, China.

Test site at Bay Area Compliance Laboratories Corp. (Shenzhen) has been fully described in reports submitted to the Federal Communication Commission (FCC). The details of these reports have been found to be in compliance with the requirements of Section 2.948 of the FCC Rules on December 06, 2010. The facility also complies with the radiated and AC line conducted test site criteria set forth in ANSI C63.4-2009.

The Federal Communications Commission has the reports on file and is listed under FCC Registration No.: 382179. The test site has been approved by the FCC for public use and is listed in the FCC Public Access Link (PAL) database.

F I N A L

SYSTEM TEST CONFIGURATION

Description of Test Configuration

For 802.11b, 802.11g, and 802.11n-HT20 mode, 11 channels are provided to testing:

Channel	Frequency (MHz)	Channel	Frequency (MHz)
1	2412	7	2442
2	2417	8	2447
3	2422	9	2452
4	2427	10	2457
5	2432	11	2462
6	2437	/	/

EUT was tested with Channel 1, 6 and 11.

For 802.11n-HT40 mode, 7 channels are provided to testing:

Channel	Frequency (MHz)	Channel	Frequency (MHz)
1	2422	6	2447
2	2427	7	2452
3	2432	/	/
4	2437	/	/
5	2442	/	/

EUT was tested with Channel 1, 4 and 7.

The worst-case data rates are determined to be as follows for each mode based upon investigations by measuring the average power and PSD across all data rates bandwidths, and modulations.

EUT Exercise Software

Test software: MT7601USB.exe

802.11b: Rate 1 MHz, Power level: 13

802.11g: Rate 6 MHz, Power level: 9

802.11n-HT20: Rate MCS0, Power level: 0C

802.11n-HT40: Rate MCS0, Power level: 0A

Equipment Modifications

No modification was made to the EUT tested.

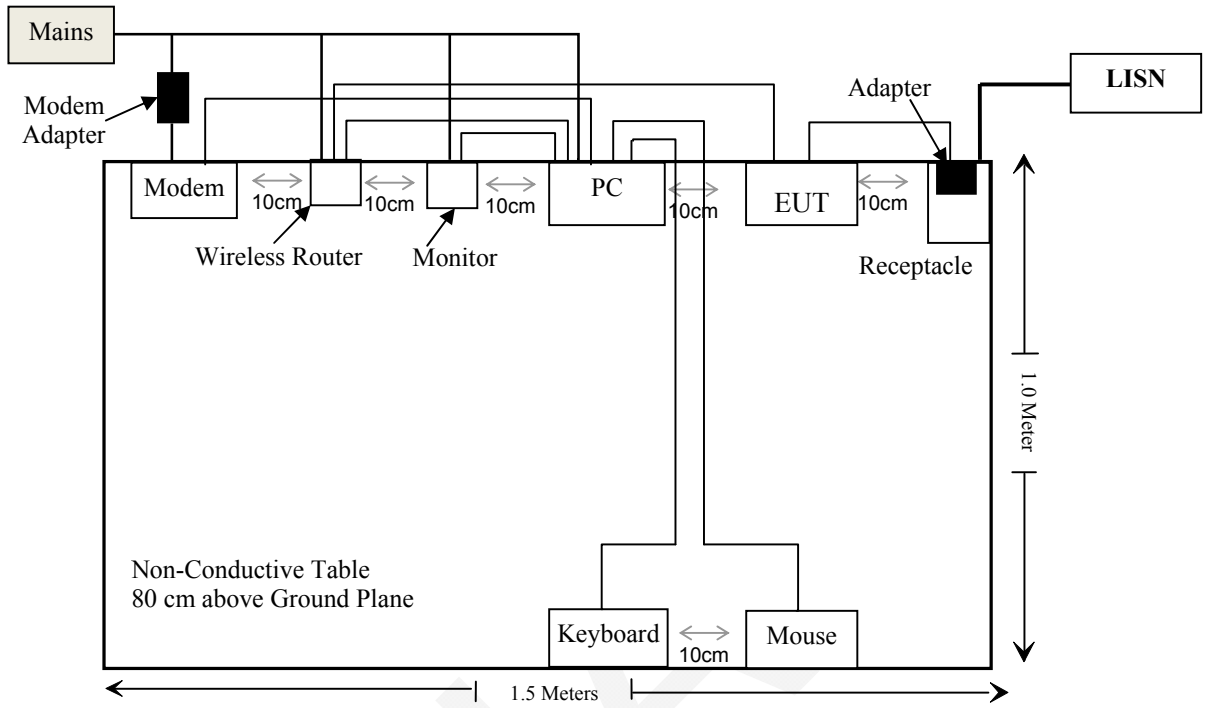
Support Equipment List and Details

Manufacturer	Description	Model	Serial Number
DELL	PC	VOSTRO 220S	127BP2X
DELL	Monitor	E178WFPC	CN-OWY564-64180-7C4-2SQH
DELL	Keyboard	L100	CNORH656658907BL05DC
DELL	Mouse	MOC5UO	G1900NKD
SAST	Modem	AEM-2100	0293
TB-LINK	Wireless Router	TL-WR847N	13203838617

External I/O Cable

Cable Description	Length (m)	From/Port	To
Unshielded Undetachable Adapter Cable	1.5	Adapter	EUT
Shielding Detachable USB Cable	1.5	Host PC	Mouse
Shielding Detachable Serial Cable	1.2	Host PC	Modem
Shielding Detachable K/B Cable	1.5	Host PC	Keyboard
Shielding Detachable VGA Cable	1.5	Host PC	LCD Monitor
Unshielded Detachable RJ45 Cable	1.5	Wireless Router	EUT
Unshielded Detachable RJ45 Cable	1.5	Wireless Router	PC

Block Diagram of Test Setup



SUMMARY OF TEST RESULTS

FCC Rules	Description of Test	Result
§15.247 (i), §1.1307 (b)(1), §2.1091	Maximum Permissible Exposure (MPE)	Compliance
§15.203	Antenna Requirement	Compliance
§15.207 (a)	Conducted Emissions	Compliance
§15.247(d)	Spurious Emissions at Antenna Port	Compliance*
§15.205, §15.209, §15.247(d)	Spurious Emissions	Compliance
§15.247 (a)(2)	6 dB Bandwidth	Compliance*
§15.247(b)(3)	Maximum Peak Output Power	Compliance**
§15.247(d)	100kHz Bandwidth of Frequency Band Edge	Compliance*
§15.247(e)	Power Spectral Density	Compliance*

Note: Compliance*: The RF module was test in Ke Mei Ou Laboratory Co., Ltd. with FCC ID: Q8Y-FR1213C3, which was granted on 2013-09-02.

Compliance**: We had re-tested the output power, and the result is about the same with the module report.

FCC §15.247 (i) & §1.1307 (b) (1) & §2.1091- MAXIMUM PERMISSIBLE EXPOSURE (MPE)

Applicable Standard

According to subpart 15.247 (i) and subpart 1.1307 (b)(1), 2.1091 systems operating under the provisions of this section shall be operated in a manner that ensures the public is not exposed to RF energy level in excess of the communication guidelines.

Limits for General Population/Uncontrolled Exposure

Limits for General Population/Uncontrolled Exposure				
Frequency Range (MHz)	Electric Field Strength (V/m)	Magnetic Field Strength (A/m)	Power Density (mW/cm ²)	Averaging Time (Minutes)
0.3-1.34	614	1.63	*(100)	30
1.34-30	824/f	2.19/f	*(180/f ²)	30
30-300	27.5	0.073	0.2	30
300-1500	/	/	f/1500	30
1500-100,000	/	/	1.0	30

f = frequency in MHz

* = Plane-wave equivalent power density

Result

Calculated Formulary:

Predication of MPE limit at a given distance

$$S = \frac{PG}{4\pi R^2}$$

S = power density (in appropriate units, e.g. mW/cm²)

P = power input to the antenna (in appropriate units, e.g., mW).

G = power gain of the antenna in the direction of interest relative to an isotropic radiator, the power gain factor, is normally numeric gain.

R = distance to the center of radiation of the antenna (appropriate units, e.g., cm)

Frequency (MHz)	Antenna Gain		Conducted Power		Evaluation Distance (cm)	Power Density (mW/cm ²)	MPE Limit (mW/cm ²)
	(dBi)	(numeric)	(dBm)	(mW)			
2412	5	3.16	15.33	34.12	20	0.0215	1

Note: To maintain compliance with the FCC’s RF exposure guidelines, place the equipment at least 20cm from nearby persons.

Result: Compliance

FCC §15.203 - ANTENNA REQUIREMENT

Applicable Standard

According to § 15.203, an intentional radiator shall be designed to ensure that no antenna other than that furnished by the responsible party shall be used with the device. The use of a permanently attached antenna or of an antenna that uses a unique coupling to the intentional radiator shall be considered sufficient to comply with the provisions of this section. The manufacturer may design the unit so that a broken antenna can be replaced by the user, but the user of a standard antenna jack or electrical connector is prohibited. The structure and application of the EUT were analyzed to determine compliance with section §15.203 of the rules. §15.203 state that the subject device must meet the following criteria:

- a. Antenna must be permanently attached to the unit.
- b. Antenna must use a unique type of connector to attach to the EUT.

Unit must be professionally installed, and installer shall be responsible for verifying that the correct antenna is employed with the unit.

Antenna Connector Construction

The EUT has a RP-SMA antenna connector arrangement for Wi-Fi which the gain was 5dBi, fulfill the requirement of this section. Please refer to the internal photos.

Result: Compliance.

FCC §15.207 (a) – AC LINE CONDUCTED EMISSIONS

Applicable Standard

FCC§15.207

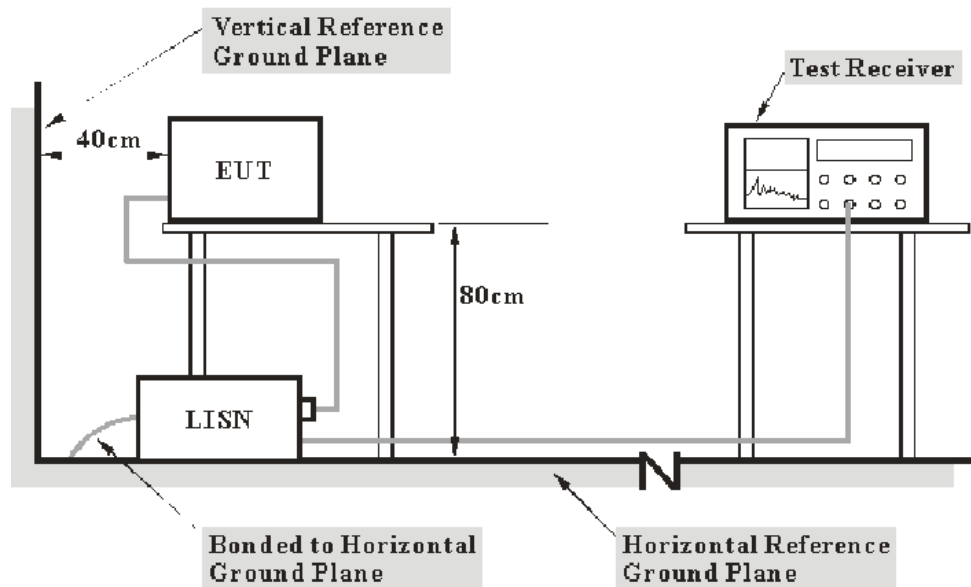
Measurement Uncertainty

Input quantities to be considered for conducted disturbance measurements may be receiver reading, attenuation of the connection between LISN and receiver, LISN voltage division factor, LISN VDF frequency interpolation and receiver related input quantities, etc.

Based on CISPR 16-4-2:2011, the expanded combined standard uncertainty of conducted disturbance test at Bay Area Compliance Laboratories Corp. (Shenzhen) is shown as below. And the uncertainty will not be taken into consideration for the test data recorded in the report

Port	Expanded Measurement uncertainty
AC Mains	3.26 dB (k=2, 95% level of confidence)
CAT 3	3.70 dB (k=2, 95% level of confidence)
CAT 5	3.86 dB (k=2, 95% level of confidence)
CAT 6	4.64 dB (k=2, 95% level of confidence)

EUT Setup



- Note:**
1. Support units were connected to second LISN.
 2. Both of LISNs (AMN) 80 cm from EUT and at the least 80 cm from other units and other metal planes support units.

The setup of EUT is according with ANSI C63.4-2009 measurement procedure. The specification used was with the FCC Part 15.207 limits.

The adapter was connected to a 120 V_{AC}/60 Hz power source.

EMI Test Receiver Setup

The EMI test receiver was set to investigate the spectrum from 150 kHz to 30 MHz.

During the conducted emission test, the EMI test receiver was set with the following configurations:

Frequency Range	IF B/W
150 kHz – 30 MHz	9 kHz

Test Procedure

Maximizing procedure was performed on the six (6) highest emissions of the EUT.

All data was recorded in the Quasi-peak and average detection mode.

Test Equipment List and Details

Manufacturer	Description	Model	Serial Number	Calibration Date	Calibration Due Date
Rohde & Schwarz	EMI Test Receiver	ESCS30	100176	2013-06-17	2014-06-17
Rohde & Schwarz	LISN	ENV216	3560.6650.12-101613-Yb	2013-05-07	2014-05-07
Rohde & Schwarz	Transient limiter	ESH3Z2	DE25985	2013-10-15	2014-10-15
Rohde & Schwarz	CE Test software	EMC 32	V8.53	-	-

* **Statement of Traceability:** Bay Area Compliance Laboratories Corp. (Shenzhen) attests that all calibrations have been performed in accordance to requirements that traceable to National Primary Standards and International System of Units (SI).

Test Results Summary

According to the recorded data in following table, the worst margin reading as below:

9.4 dB at 0.396030 MHz in the **Neutral** conducted mode

Refer to CISPR16-4-2:2011 and CISPR 16-4-1:2009, the measured level complies with the limit if

$$L_m + U_{(L_m)} \leq L_{lim} + U_{cispr}$$

In BACL, $U_{(L_m)}$ is less than U_{cispr} , if L_m is less than L_{lim} , it implies that the EUT complies with the limit.

Test Data

Environmental Conditions

Temperature:	25 °C
Relative Humidity:	56 %
ATM Pressure:	101.0 kPa

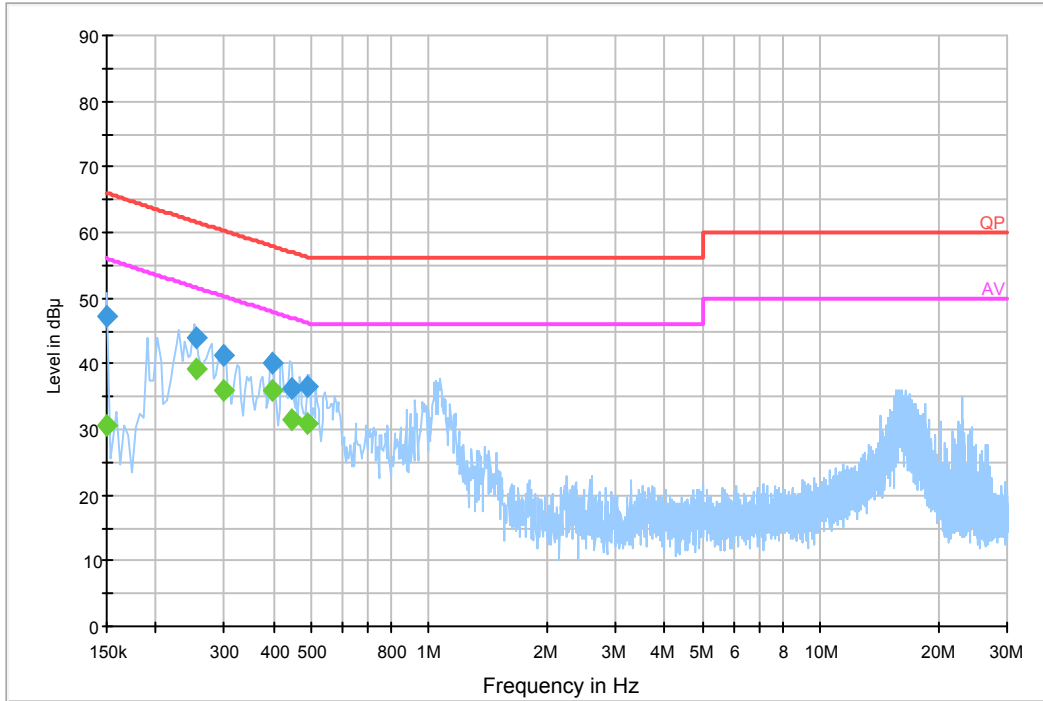
The testing was performed by Simon Wang on 2014-05-06.

EUT operation mode: Transmitting

FINAL

AC 120V/60 Hz, Line

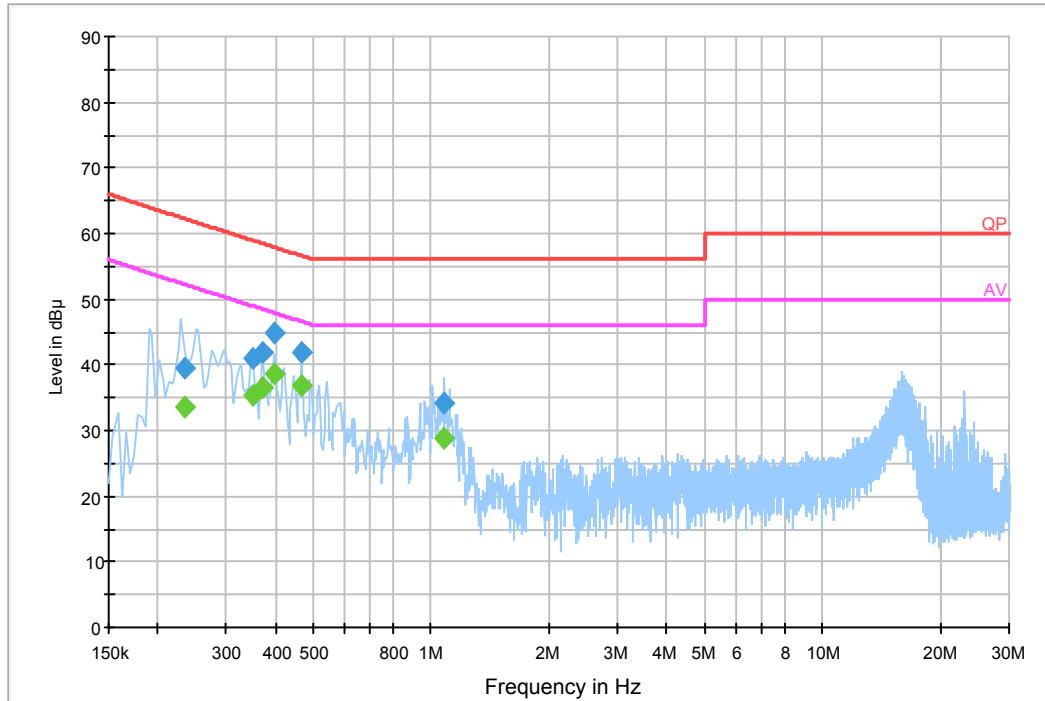
EMI Auto Test L



Frequency (MHz)	Corrected Amplitude (dBμV)	Corrected Factor (dB)	Limit (dBμV)	Margin (dB)	Remark (PK/QP/Ave.)
0.150000	47.2	19.6	66.0	18.8	QP
0.150000	30.7	19.6	56.0	25.3	Ave.
0.253500	44.0	19.5	61.6	17.6	QP
0.253500	39.2	19.5	51.6	12.4	Ave.
0.297470	41.3	19.4	60.3	19.0	QP
0.297470	35.9	19.4	50.3	14.4	Ave.
0.396030	40.2	19.5	57.9	17.7	QP
0.396030	35.8	19.5	47.9	12.1	Ave.
0.447370	36.2	19.6	56.9	20.7	QP
0.447370	31.4	19.6	46.9	15.5	Ave.
0.490590	36.6	19.6	56.2	19.6	QP
0.490590	30.8	19.6	46.2	15.4	Ave.

AC 120V/60 Hz, Neutral

EMI Auto Test N



Frequency (MHz)	Corrected Amplitude (dBµV)	Corrected Factor (dB)	Limit (dBµV)	Margin (dB)	Remark (PK/QP/Ave.)
0.233500	39.4	19.5	62.3	22.9	QP
0.233500	33.6	19.5	52.3	18.7	Ave.
0.348810	41.0	19.5	59.0	18.0	QP
0.348810	35.4	19.5	49.0	13.6	Ave.
0.372450	41.9	19.5	58.4	16.5	QP
0.372450	36.7	19.5	48.4	11.7	Ave.
0.396030	44.9	19.6	57.9	13.0	QP
0.396030	38.5	19.6	47.9	9.4	Ave.
0.467010	41.7	19.6	56.6	14.9	QP
0.467010	36.7	19.6	46.6	9.9	Ave.
1.077770	34.3	19.5	56.0	21.7	QP
1.077770	28.7	19.5	46.0	17.3	Ave.

Note:

- 1) Correction Factor = LISN VDF (Voltage Division Factor) + Cable Loss + Transient Limiter Attenuation
- 2) Corrected Amplitude = Reading + Correction Factor
- 3) Margin = Limit - Corrected Amplitude

FCC §15.209, §15.205 & §15.247(d) - SPURIOUS EMISSIONS

Applicable Standard

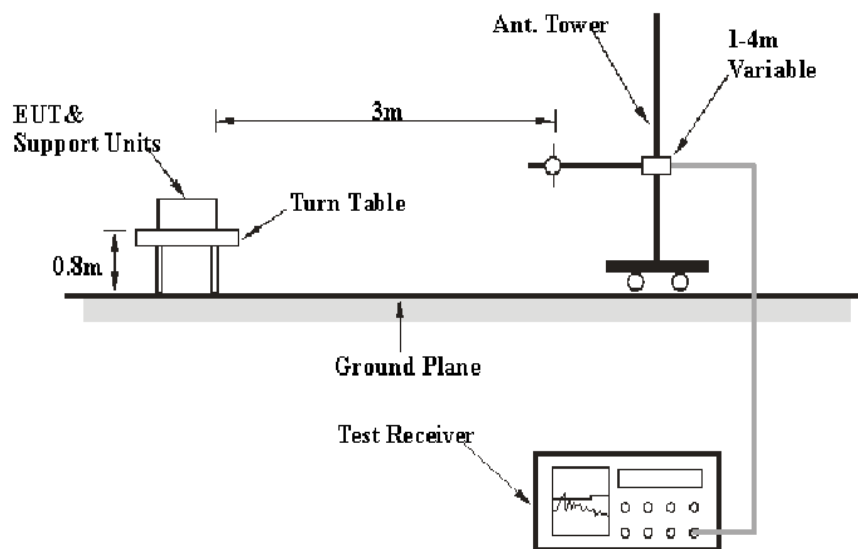
FCC §15.247 (d); §15.209; §15.205;

Measurement Uncertainty

All measurements involve certain levels of uncertainties, especially in field of EMC. The factors contributing to uncertainties are spectrum analyzer, cable loss, antenna factor calibration, antenna directivity, antenna factor variation with height, antenna phase center variation, antenna factor frequency interpolation, measurement distance variation, site imperfections, mismatch (average), and system repeatability.

Based on CISPR 16-4-2:2011, the expanded combined standard uncertainty of radiation emissions at Bay Area Compliance Laboratories Corp. (Shenzhen) is 5.91 dB for 30MHz-1GHz and 4.92 dB for above 1GHz, and it will not be taken into consideration for the test data recorded in the report

EUT Setup



The radiated emission tests were performed in the 3 meters test site, using the setup accordance with the ANSI C63.4-2009. The specification used was the FCC 15.209, and FCC 15.247 limits.

The external I/O cables were draped along the test table and formed a bundle 30 to 40 cm long in the middle.

The adapter was connected to an AC 120V/60 Hz power source.

EMI Test Receiver & Spectrum Analyzer Setup

The system was investigated from 30 MHz to 25 GHz.

During the radiated emission test, the EMI test receiver & Spectrum Analyzer Setup were set with the following configurations:

Frequency Range	RBW	Video B/W	IF B/W	Detector
30MHz – 1000 MHz	100 kHz	300 kHz	120 kHz	QP
Above 1 GHz	1MHz	3 MHz	/	PK
	1MHz	10 Hz	/	Ave.

Test Procedure

Maximizing procedure was performed on the highest emissions to ensure that the EUT complied with all installation combinations.

All final data was recorded in Quasi-peak detection mode for frequency range of 30 MHz-1 GHz and peak and Average detection modes for frequencies above 1 GHz.

Test Equipment List and Details

Manufacturer	Description	Model	Serial Number	Calibration Date	Calibration Due Date
HP	Amplifier	8447E	1937A01046	2013-09-30	2014-09-30
Rohde & Schwarz	EMI Test Receiver	ESCI	101122	2013-09-25	2014-09-25
Sunol Sciences	Broadband Antenna	JB1	A040904-2	2011-11-28	2014-11-27
Mini	Pre-amplifier	ZVA-183-S+	5969001149	2014-04-03	2015-04-03
Sunol Sciences	Horn Antenna	DRH-118	A052304	2011-12-01	2014-11-30
Rohde & Schwarz	Signal Analyzer	FSIQ26	8386001028	2013-11-12	2014-11-12
DUCOMMUN	Pre-amplifier	ALN-22093530-01	991373-01	2013-08-03	2014-08-03
the electro-Mechanics Co.	Horn Antenna	3116	9510-2270	2013-10-14	2016-10-13

* **Statement of Traceability:** Bay Area Compliance Laboratories Corp. (Shenzhen) attests that all calibrations have been performed in accordance to requirements that traceable to National Primary Standards and International System of Units (SI).

Corrected Amplitude & Margin Calculation

The Corrected Amplitude is calculated by adding the Antenna Factor and Cable Loss, and subtracting the Amplifier Gain from the Meter Reading. The basic equation is as follows:

$$\text{Corrected Amplitude} = \text{Meter Reading} + \text{Antenna Factor} + \text{Cable Loss} - \text{Amplifier Gain}$$

The “**Margin**” column of the following data tables indicates the degree of compliance with the applicable limit. For example, a margin of 7dB means the emission is 7dB below the limit. The equation for margin calculation is as follows:

$$\text{Margin} = \text{Limit} - \text{Corrected Amplitude}$$

Test Results Summary

According to the recorded data in following table, with the worst margin reading of:

8.16 dB at 2486.4 MHz in the Horizontal polarization for 802.11b mode

Refer to CISPR16-4-2:2011 and CISPR 16-4-1:2009, the measured level is in compliance with the limit if

$$L_m + U_{(L_m)} \leq L_{\text{lim}} + U_{\text{cispr}}$$

In BACL, $U_{(L_m)}$ is less than U_{cispr} , if L_m is less than L_{lim} , it implies that the EUT complies with the limit.

Test Data

Environmental Conditions

Temperature:	26 °C
Relative Humidity:	56 %
ATM Pressure:	101.0 kPa

The testing was performed by Simon Wang on 2014-04-29.

EUT operation mode: Transmitting

30 MHz-25 GHz:**802.11b Mode:**

Frequency (MHz)	Receiver		Turntable Degree	Rx Antenna		Corrected Factor (dB)	Corrected Amplitude (dB μ V/m)	FCC Part 15.247/205/209	
	Reading (dB μ V)	Detector (PK/QP/Ave.)		Height (m)	Polar (H/V)			Limit (dB μ V/m)	Margin (dB)
Low Channel (2412 MHz)									
281.9	45.58	QP	114	2.2	V	-14.3	31.28	46	14.72
2412.0	92.33	PK	148	2.4	H	6.13	98.46	/	/
2412.0	87.49	Ave.	148	2.4	H	6.13	93.62	/	/
2412.0	101.49	PK	129	2.1	V	6.13	107.62	/	/
2412.0	95.23	Ave.	129	2.1	V	6.13	101.36	/	/
2341.6	43.38	PK	293	1.3	H	5.48	48.86	74	25.14
2341.6	37.33	Ave.	293	1.3	H	5.48	42.81	54	11.19
2376.5	47.08	PK	33	2.2	H	5.48	52.56	74	21.44
2376.5	36.19	Ave.	33	2.2	H	5.48	41.67	54	12.33
2494.2	46.57	PK	249	2.5	V	7.21	53.78	74	20.22
2494.2	34.32	Ave.	249	2.5	V	7.21	41.53	54	12.47
4824.0	40.96	PK	71	1.3	H	12.44	53.40	74	20.60
4824.0	31.07	Ave.	71	1.3	H	12.44	43.51	54	10.49
7236.0	36.81	PK	65	1.2	H	17.06	53.87	74	20.13
7236.0	20.34	Ave.	65	1.2	H	17.06	37.4	54	16.60
9648.0	35.14	PK	57	1.8	H	19.28	54.42	74	19.58
9648.0	19.60	Ave.	57	1.8	H	19.28	38.88	54	15.12
Middle Channel (2437 MHz)									
281.9	46.98	QP	89	1.6	V	-14.3	32.68	46	13.32
2437.0	87.30	PK	175	1.8	H	6.13	93.43	/	/
2437.0	78.57	Ave.	175	1.8	H	6.13	84.70	/	/
2437.0	98.55	PK	260	1.5	V	6.13	104.68	/	/
2437.0	92.78	Ave.	260	1.5	V	6.13	98.91	/	/
2368.8	43.84	PK	100	1.6	H	5.48	49.32	74	24.68
2368.8	37.97	Ave.	100	1.6	H	5.48	43.45	54	10.55
2388.0	48.55	PK	103	1.7	H	5.48	54.03	74	19.97
2388.0	36.95	Ave.	103	1.7	H	5.48	42.43	54	11.57
2497.9	43.89	PK	189	1.8	V	7.21	51.10	74	22.90
2497.9	33.26	Ave.	189	1.8	V	7.21	40.47	54	13.53
4874.0	42.05	PK	144	1.4	V	12.4	54.45	74	19.55
4874.0	32.60	Ave.	144	1.4	V	12.4	45.00	54	9.00
7311.0	35.17	PK	238	2.3	H	16.62	51.79	74	22.21
7311.0	21.14	Ave.	238	2.3	H	16.62	37.76	54	16.24
9748.0	34.60	PK	297	1.2	V	19.4	54.00	74	20.00
9748.0	19.11	Ave.	297	1.2	V	19.4	38.51	54	15.49

Frequency (MHz)	Receiver		Turntable Degree	Rx Antenna		Corrected Factor (dB)	Corrected Amplitude (dBµV/m)	FCC Part 15.247/205/209	
	Reading (dBµV)	Detector (PK/QP/Ave.)		Height (m)	Polar (H/V)			Limit (dBµV/m)	Margin (dB)
High Channel (2462 MHz)									
281.9	46.11	QP	7	1.1	V	-14.3	31.81	46	14.19
2462.0	88.83	PK	28	1.4	H	6.13	94.96	/	/
2462.0	82.68	Ave.	28	1.4	H	6.13	88.81	/	/
2462.0	89.75	PK	80	1.1	V	6.13	95.88	/	/
2462.0	85.55	Ave.	80	1.1	V	6.13	91.68	/	/
2380.4	46.54	PK	24	1.9	H	5.48	52.02	74	21.98
2380.4	37.88	Ave.	24	1.9	H	5.48	43.36	54	10.64
2486.4	47.70	PK	95	1.3	H	7.21	54.91	74	19.09
2486.4	38.63	Ave.	95	1.3	H	7.21	45.84	54	8.16
2496.7	45.36	PK	148	2.3	V	7.21	52.57	74	21.43
2496.7	35.32	Ave.	148	2.3	V	7.21	42.53	54	11.47
4924.0	41.39	PK	347	1.9	H	12.46	53.85	74	20.15
4924.0	31.37	Ave.	347	1.9	H	12.46	43.83	54	10.17
7386.0	35.89	PK	74	2.0	V	15.91	51.8	74	22.20
7386.0	20.51	Ave.	74	2.0	V	15.91	36.42	54	17.58
9848.0	34.60	PK	296	2.1	H	19.29	53.89	74	20.11
9848.0	19.96	Ave.	296	2.1	H	19.29	39.25	54	14.75

802.11g Mode:

Frequency (MHz)	Receiver		Turntable Degree	Rx Antenna		Corrected Factor (dB)	Corrected Amplitude (dBµV/m)	FCC Part 15.247/205/209	
	Reading (dBµV)	Detector (PK/QP/Ave.)		Height (m)	Polar (H/V)			Limit (dBµV/m)	Margin (dB)
Low Channel (2412 MHz)									
281.9	45.62	QP	188	1.0	V	-14.3	31.32	46	14.68
2412.0	87.91	PK	285	1.5	H	6.13	94.04	/	/
2412.0	79.28	Ave.	285	1.5	H	6.13	85.41	/	/
2412.0	98.73	PK	243	1.9	V	6.13	104.86	/	/
2412.0	91.56	Ave.	243	1.9	V	6.13	97.69	/	/
2367.6	45.74	PK	175	1.6	H	5.48	51.22	74	22.78
2367.6	33.70	Ave.	175	1.6	H	5.48	39.18	54	14.82
2380.6	46.44	PK	127	1.5	H	5.48	51.92	74	22.08
2380.6	37.62	Ave.	127	1.5	H	5.48	43.1	54	10.90
2485.3	45.40	PK	343	2.4	V	7.21	52.61	74	21.39
2485.3	36.35	Ave.	343	2.4	V	7.21	43.56	54	10.44
4824.0	41.47	PK	72	1.8	V	12.44	53.91	74	20.09
4824.0	32.68	Ave.	72	1.8	V	12.44	45.12	54	8.88
7236.0	36.57	PK	91	2.4	V	17.06	53.63	74	20.37
7236.0	21.26	Ave.	91	2.4	V	17.06	38.32	54	15.68
9648.0	35.87	PK	318	1.9	V	19.28	55.15	74	18.85
9648.0	19.63	Ave.	318	1.9	V	19.28	38.91	54	15.09
Middle Channel (2437 MHz)									
281.9	45.64	QP	338	1.3	V	-14.3	31.34	46	14.66
2437.0	87.77	PK	334	2.3	H	6.13	93.9	/	/
2437.0	80.32	Ave.	334	2.3	H	6.13	86.45	/	/
2437.0	98.43	PK	319	2.3	V	6.13	104.56	/	/
2437.0	91.03	Ave.	319	2.3	V	6.13	97.16	/	/
2350.7	46.59	PK	49	1.8	H	5.48	52.07	74	21.93
2350.7	35.19	Ave.	49	1.8	H	5.48	40.67	54	13.33
2386.7	49.64	PK	342	2.5	H	5.48	55.12	74	18.88
2386.7	37.98	Ave.	342	2.5	H	5.48	43.46	54	10.54
2495.0	45.59	PK	306	2.0	V	7.21	52.80	74	21.20
2495.0	36.10	Ave.	306	2.0	V	7.21	43.31	54	10.69
4874.0	41.19	PK	181	1.5	V	12.4	53.59	74	20.41
4874.0	31.73	Ave.	181	1.5	V	12.4	44.13	54	9.87
7311.0	36.07	PK	153	2.4	V	16.62	52.69	74	21.31
7311.0	20.86	Ave.	153	2.4	V	16.62	37.48	54	16.52
9748.0	34.29	PK	308	2.2	H	19.4	53.69	74	20.31
9748.0	19.21	Ave.	308	2.2	H	19.4	38.61	54	15.39

Frequency (MHz)	Receiver		Turntable Degree	Rx Antenna		Corrected Factor (dB)	Corrected Amplitude (dBµV/m)	FCC Part 15.247/205/209	
	Reading (dBµV)	Detector (PK/QP/Ave.)		Height (m)	Polar (H/V)			Limit (dBµV/m)	Margin (dB)
High Channel (2462 MHz)									
281.9	45.52	QP	308	2.5	V	-14.3	31.22	46	14.78
2462.0	85.23	PK	329	2.3	H	6.13	91.36	/	/
2462.0	62.41	Ave.	329	2.3	H	6.13	68.54	/	/
2462.0	91.28	PK	218	2.4	V	6.13	97.41	/	/
2462.0	66.53	Ave.	218	2.4	V	6.13	72.66	/	/
2364.8	46.06	PK	337	1.6	H	5.48	51.54	74	22.46
2364.8	33.01	Ave.	337	1.6	H	5.48	38.49	54	15.51
2486.0	49.69	PK	269	2.5	H	7.21	56.90	74	17.10
2486.0	37.08	Ave.	269	2.5	H	7.21	44.29	54	9.71
2497.4	45.94	PK	284	1.7	V	7.21	53.15	74	20.85
2497.4	36.69	Ave.	284	1.7	V	7.21	43.90	54	10.10
4924.0	42.01	PK	290	2.4	H	12.46	54.47	74	19.53
4924.0	32.98	Ave.	290	2.4	H	12.46	45.44	54	8.56
7386.0	35.19	PK	317	2.1	H	15.91	51.10	74	22.90
7386.0	20.38	Ave.	317	2.1	H	15.91	36.29	54	17.71
9848.0	34.79	PK	119	1.3	H	19.29	54.08	74	19.92
9848.0	20.79	Ave.	119	1.3	H	19.29	40.08	54	13.92

802.11n-HT20 Mode:

Frequency (MHz)	Receiver		Turntable Degree	Rx Antenna		Corrected Factor (dB)	Corrected Amplitude (dBµV/m)	FCC Part 15.247/205/209	
	Reading (dBµV)	Detector (PK/QP/Ave.)		Height (m)	Polar (H/V)			Limit (dBµV/m)	Margin (dB)
Low Channel (2412 MHz)									
281.9	46.58	QP	251	1.9	H	-14.3	32.28	46	13.72
2412.0	87.70	PK	359	2.3	H	6.13	93.83	/	/
2412.0	79.73	Ave.	359	2.3	H	6.13	85.86	/	/
2412.0	99.07	PK	93	1.7	V	6.13	105.2	/	/
2412.0	91.19	Ave.	93	1.7	V	6.13	97.32	/	/
2353.0	43.78	PK	209	1.6	H	5.48	49.26	74	24.74
2353.0	35.37	Ave.	209	1.6	H	5.48	40.85	54	13.15
2380.4	46.66	PK	11	1.4	H	5.48	52.14	74	21.86
2380.4	37.46	Ave.	11	1.4	H	5.48	42.94	54	11.06
2485.3	42.92	PK	45	1.2	V	7.21	50.13	74	23.87
2485.3	35.12	Ave.	45	1.2	V	7.21	42.33	54	11.67
4824.0	41.21	PK	56	1.7	V	12.44	53.65	74	20.35
4824.0	31.73	Ave.	56	1.7	V	12.44	44.17	54	9.83
7236.0	36.34	PK	313	1.2	H	17.06	53.40	74	20.60
7236.0	21.68	Ave.	313	1.2	H	17.06	38.74	54	15.26
9648.0	35.00	PK	165	1.9	V	19.28	54.28	74	19.72
9648.0	19.81	Ave.	165	1.9	V	19.28	39.09	54	14.91
Middle Channel (2437 MHz)									
281.9	46.68	QP	169	2.0	V	-14.3	32.38	46	13.62
2437.0	86.18	PK	82	2.1	H	6.13	92.31	/	/
2437.0	78.83	Ave.	82	2.1	H	6.13	84.96	/	/
2437.0	98.56	PK	355	2.2	V	6.13	104.69	/	/
2437.0	92.16	Ave.	355	2.2	V	6.13	98.29	/	/
2340.4	47.25	PK	133	2.5	H	5.48	52.73	74	21.27
2340.4	34.49	Ave.	133	2.5	H	5.48	39.97	54	14.03
2380.6	48.55	PK	139	2.2	H	5.48	54.03	74	19.97
2380.6	37.08	Ave.	139	2.2	H	5.48	42.56	54	11.44
2485.8	46.09	PK	302	2.0	V	7.21	53.3	74	20.70
2485.8	36.10	Ave.	302	2.0	V	7.21	43.31	54	10.69
4874.0	42.19	PK	5	2.4	V	12.4	54.59	74	19.41
4874.0	32.28	Ave.	5	2.4	V	12.4	44.68	54	9.32
7311.0	35.75	PK	336	2.1	H	16.62	52.37	74	21.63
7311.0	21.22	Ave.	336	2.1	H	16.62	37.84	54	16.16
9748.0	34.13	PK	323	1.5	H	19.4	53.53	74	20.47
9748.0	20.88	Ave.	323	1.5	H	19.4	40.28	54	13.72

Frequency (MHz)	Receiver		Turntable Degree	Rx Antenna		Corrected Factor (dB)	Corrected Amplitude (dBµV/m)	FCC Part 15.247/205/209	
	Reading (dBµV)	Detector (PK/QP/Ave.)		Height (m)	Polar (H/V)			Limit (dBµV/m)	Margin (dB)
High Channel (2462 MHz)									
281.9	46.73	QP	10	1.2	H	-14.3	32.43	46	13.57
2462.0	84.74	PK	129	2.4	H	6.13	90.87	/	/
2462.0	62.73	Ave.	129	2.4	H	6.13	68.86	/	/
2462.0	90.47	PK	201	1.2	V	6.13	96.6	/	/
2462.0	65.70	Ave.	201	1.2	V	6.13	71.83	/	/
2377.6	46.18	PK	163	1.9	H	5.48	51.66	74	22.34
2377.6	36.28	Ave.	163	1.9	H	5.48	41.76	54	12.24
2489.3	47.70	PK	60	1.6	H	7.21	54.91	74	19.09
2489.3	37.63	Ave.	60	1.6	H	7.21	44.84	54	9.16
2490.2	43.55	PK	8	1.2	V	7.21	50.76	74	23.24
2490.2	33.36	Ave.	8	1.2	V	7.21	40.57	54	13.43
4924.0	40.61	PK	79	1.4	V	12.46	53.07	74	20.93
4924.0	30.89	Ave.	79	1.4	V	12.46	43.35	54	10.65
7386.0	35.49	PK	209	1.9	V	15.91	51.40	74	22.60
7386.0	20.18	Ave.	209	1.9	V	15.91	36.09	54	17.91
9848.0	35.60	PK	17	2.2	V	19.29	54.89	74	19.11
9848.0	20.49	Ave.	17	2.2	V	19.29	39.78	54	14.22

802.11n-HT40 Mode:

Frequency (MHz)	Receiver		Turntable Degree	Rx Antenna		Corrected Factor (dB)	Corrected Amplitude (dBµV/m)	FCC Part 15.247/205/209	
	Reading (dBµV)	Detector (PK/QP/Ave.)		Height (m)	Polar (H/V)			Limit (dBµV/m)	Margin (dB)
Low Channel (2422 MHz)									
281.9	46.30	QP	137	1.6	H	-14.3	32.00	46	14.00
2422.0	83.48	PK	249	2.4	H	6.13	89.61	/	/
2422.0	76.90	Ave.	249	2.4	H	6.13	83.03	/	/
2422.0	95.39	PK	242	1.7	V	6.13	101.52	/	/
2422.0	88.45	Ave.	242	1.7	V	6.13	94.58	/	/
2366.1	40.86	PK	198	2.0	H	5.48	46.34	74	27.66
2366.1	30.83	Ave.	198	2.0	H	5.48	36.31	54	17.69
2378.6	45.14	PK	113	2.2	H	5.48	50.62	74	23.38
2378.6	35.06	Ave.	113	2.2	H	5.48	40.54	54	13.46
2486.7	44.84	PK	350	1.7	V	7.21	52.05	74	21.95
2486.7	28.53	Ave.	350	1.7	V	7.21	35.74	54	18.26
4844.0	42.37	PK	310	2.4	H	12.4	54.77	74	19.23
4844.0	32.68	Ave.	310	2.4	H	12.4	45.08	54	8.92
7266.0	35.06	PK	283	1.3	V	16.62	51.68	74	22.32
7266.0	20.47	Ave.	283	1.3	V	16.62	37.09	54	16.91
9688.0	35.10	PK	168	1.3	V	19.29	54.39	74	19.61
9688.0	20.38	Ave.	168	1.3	V	19.29	39.67	54	14.33
Middle Channel (2437 MHz)									
281.9	46.13	QP	254	1.4	V	-14.3	31.83	46	14.17
2437.0	82.71	PK	153	1.1	H	6.13	88.84	/	/
2437.0	77.38	Ave.	153	1.1	H	6.13	83.51	/	/
2437.0	95.35	PK	18	1.1	V	6.13	101.48	/	/
2437.0	88.72	Ave.	18	1.1	V	6.13	94.85	/	/
2340.1	40.02	PK	36	2.1	H	5.48	45.50	74	28.50
2340.1	29.63	Ave.	36	2.1	H	5.48	35.11	54	18.89
2380.1	45.48	PK	63	1.2	H	5.48	50.96	74	23.04
2380.1	34.63	Ave.	63	1.2	H	5.48	40.11	54	13.89
2498.9	44.02	PK	117	2.0	V	7.21	51.23	74	22.77
2498.9	30.10	Ave.	117	2.0	V	7.21	37.31	54	16.69
4874.0	42.45	PK	232	1.5	V	12.4	54.85	74	19.15
4874.0	30.24	Ave.	232	1.5	V	12.4	42.64	54	11.36
7311.0	35.38	PK	153	2.2	V	16.62	52.00	74	22.00
7311.0	20.95	Ave.	153	2.2	V	16.62	37.57	54	16.43
9748.0	34.68	PK	343	1.4	H	19.4	54.08	74	19.92
9748.0	19.76	Ave.	343	1.4	H	19.4	39.16	54	14.84

Frequency (MHz)	Receiver		Turntable Degree	Rx Antenna		Corrected Factor (dB)	Corrected Amplitude (dB μ V/m)	FCC Part 15.247/205/209	
	Reading (dB μ V)	Detector (PK/QP/Ave.)		Height (m)	Polar (H/V)			Limit (dB μ V/m)	Margin (dB)
High Channel (2452 MHz)									
281.9	46.33	QP	34	1.1	V	-14.3	32.03	46	13.97
2452.0	85.38	PK	316	1.1	H	6.13	91.51	/	/
2452.0	77.81	Ave.	316	1.1	H	6.13	83.94	/	/
2452.0	97.10	PK	299	1.8	V	6.13	103.23	/	/
2452.0	89.51	Ave.	299	1.8	V	6.13	95.64	/	/
2367.7	45.11	PK	59	2.0	H	5.48	50.59	74	23.41
2367.7	36.05	Ave.	59	2.0	H	5.48	41.53	54	12.47
2485.1	47.12	PK	334	1.8	H	7.21	54.33	74	19.67
2485.1	36.96	Ave.	334	1.8	H	7.21	44.17	54	9.83
2496.5	47.99	PK	18	1.7	V	7.21	55.20	74	18.80
2496.5	36.45	Ave.	18	1.7	V	7.21	43.66	54	10.34
4904.0	41.18	PK	111	1.8	V	12.46	53.64	74	20.36
4904.0	31.70	Ave.	111	1.8	V	12.46	44.16	54	9.84
7356.0	36.57	PK	303	1.1	V	16.49	53.06	74	20.94
7356.0	21.22	Ave.	303	1.1	V	16.49	37.71	54	16.29
9808.0	34.11	PK	145	1.7	H	19.29	53.40	74	20.60
9808.0	19.58	Ave.	145	1.7	H	19.29	38.87	54	15.13

Note:

Corrected Amplitude = Corrected Factor + Reading

Corrected Factor = Antenna factor (RX) + Cable Loss – Amplifier Factor

Margin = Limit - Corr. Amplitude

Conducted Spurious Emissions at Antenna Port:

Test data is referred to FCC ID: Q8Y-FR1213C3 granted on 2013-09-02, report number: KSZ2013053101J01, which was tested by Ke Mei Ou Laboratory Co., Ltd.

FCC §15.247(a) (2) – 6 dB EMISSION BANDWIDTH

Applicable Standard

Systems using digital modulation techniques may operate in the 902–928 MHz, 2400–2483.5 MHz, and 5725–5850 MHz bands. The minimum 6 dB bandwidth shall be at least 500 kHz.

Test Data

Test data is referred to FCC ID: Q8Y-FR1213C3 granted on 2013-09-02, report number: KSZ2013053101J01, which was tested by Ke Mei Ou Laboratory Co., Ltd.

F I N A L

FCC §15.247(b) (3) - MAXIMUM PEAK OUTPUT POWER

Applicable Standard

According to §15.247(b) (3), for systems using digital modulation in the 902-928 MHz, 2400-2483.5 MHz, and 5725-5850 MHz bands: 1 Watt. As an alternative to a peak power measurement, compliance with the one Watt limit can be based on a measurement of the maximum conducted output power. Maximum Conducted Output Power is defined as the total transmit power delivered to all antennas and antenna elements averaged across all symbols in the signaling alphabet when the transmitter is operating at its maximum power control level. Power must be summed across all antennas and antenna elements. The average must not include any time intervals during which the transmitter is off or is transmitting at a reduced power level. If multiple modes of operation are possible (e.g., alternative modulation methods), the maximum conducted output power is the highest total transmit power occurring in any mode.

Test Data

Test data is referred to FCC ID: Q8Y-FR1213C3 granted on 2013-09-02, report number: KSZ2013053101J01, which was tested by Ke Mei Ou Laboratory Co., Ltd.

FCC §15.247(d) – 100 kHz BANDWIDTH OF FREQUENCY BAND EDGE

Applicable Standard

In any 100 kHz bandwidth outside the frequency band in which the spread spectrum or digitally modulated intentional radiator is operating, the radio frequency power that is produced by the intentional radiator shall be at least 20 dB below that in the 100 kHz bandwidth within the band that contains the highest level of the desired power, based on either an RF conducted or a radiated measurement, provided the transmitter demonstrates compliance with the peak conducted power limits. If the transmitter complies with the conducted power limits based on the use of RMS averaging over a time interval, as permitted under paragraph (b)(3) of this section, the attenuation required under this paragraph shall be 30 dB instead of 20 dB. Attenuation below the general limits specified in §15.209(a) is not required. In addition, radiated emissions which fall in the restricted bands, as defined in §15.205(a), must also comply with the radiated emission limits specified in §15.209(a) (see §15.205(c)).

Test Data

Test data is referred to FCC ID: Q8Y-FR1213C3 granted on 2013-09-02, report number: KSZ2013053101J01, which was tested by Ke Mei Ou Laboratory Co., Ltd.

FCC §15.247(e) - POWER SPECTRAL DENSITY

Applicable Standard

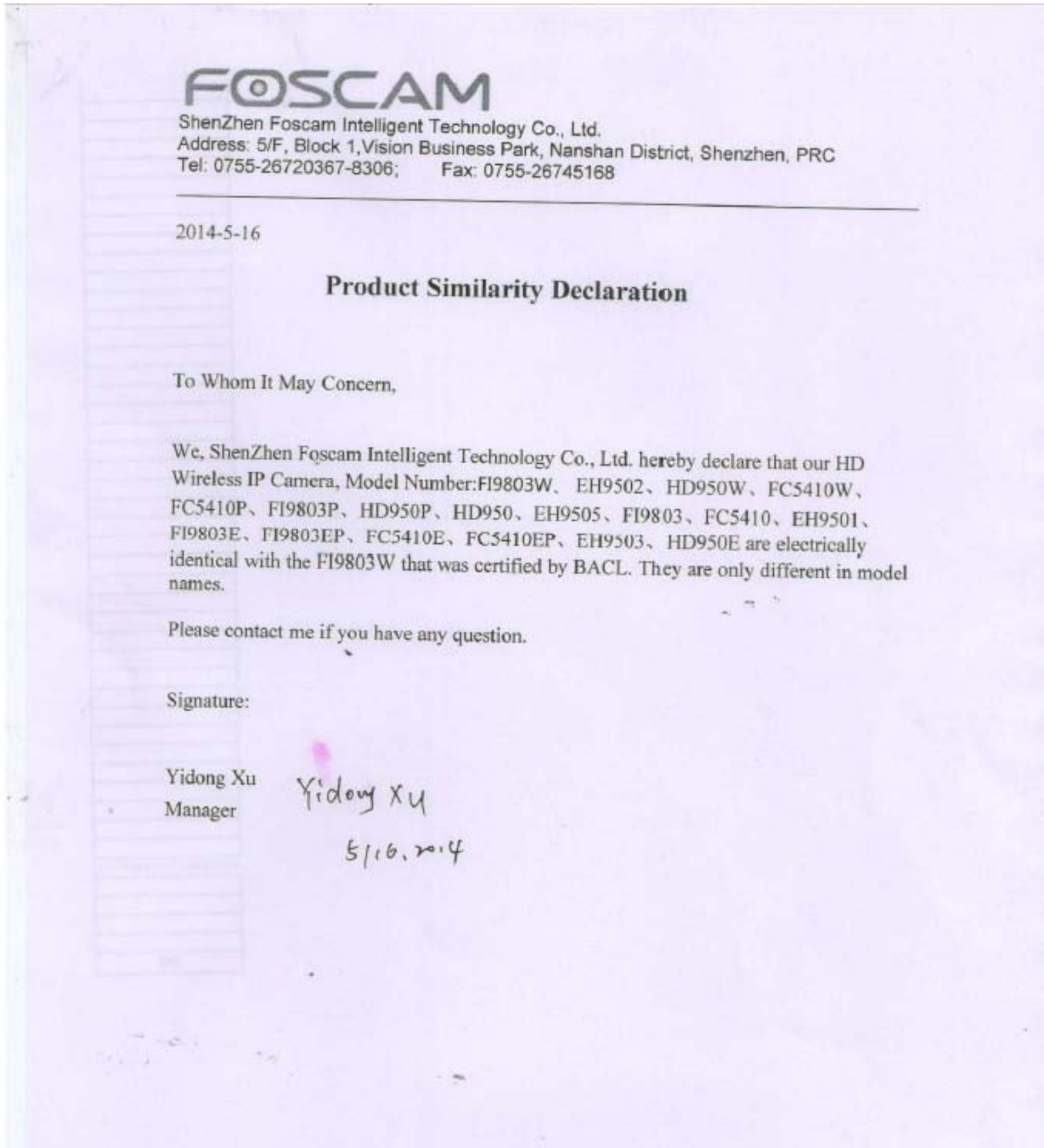
For digitally modulated systems, the power spectral density conducted from the intentional radiator to the antenna shall not be greater than 8 dBm in any 3 kHz band during any time interval of continuous transmission. This power spectral density shall be determined in accordance with the provisions of paragraph (b) of this section. The same method of determining the conducted output power shall be used to determine the power spectral density.

Test Data

Test data is referred to FCC ID: Q8Y-FR1213C3 granted on 2013-09-02, report number: KSZ2013053101J01, which was tested by Ke Mei Ou Laboratory Co., Ltd.

F I N A L

PRODUCT SIMILARITY DECLARATION LETTER



***** END OF REPORT *****