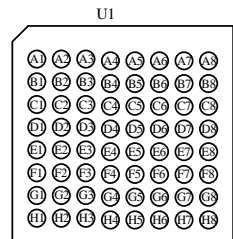


Title: **B305 AP0747 V1.0原理图**

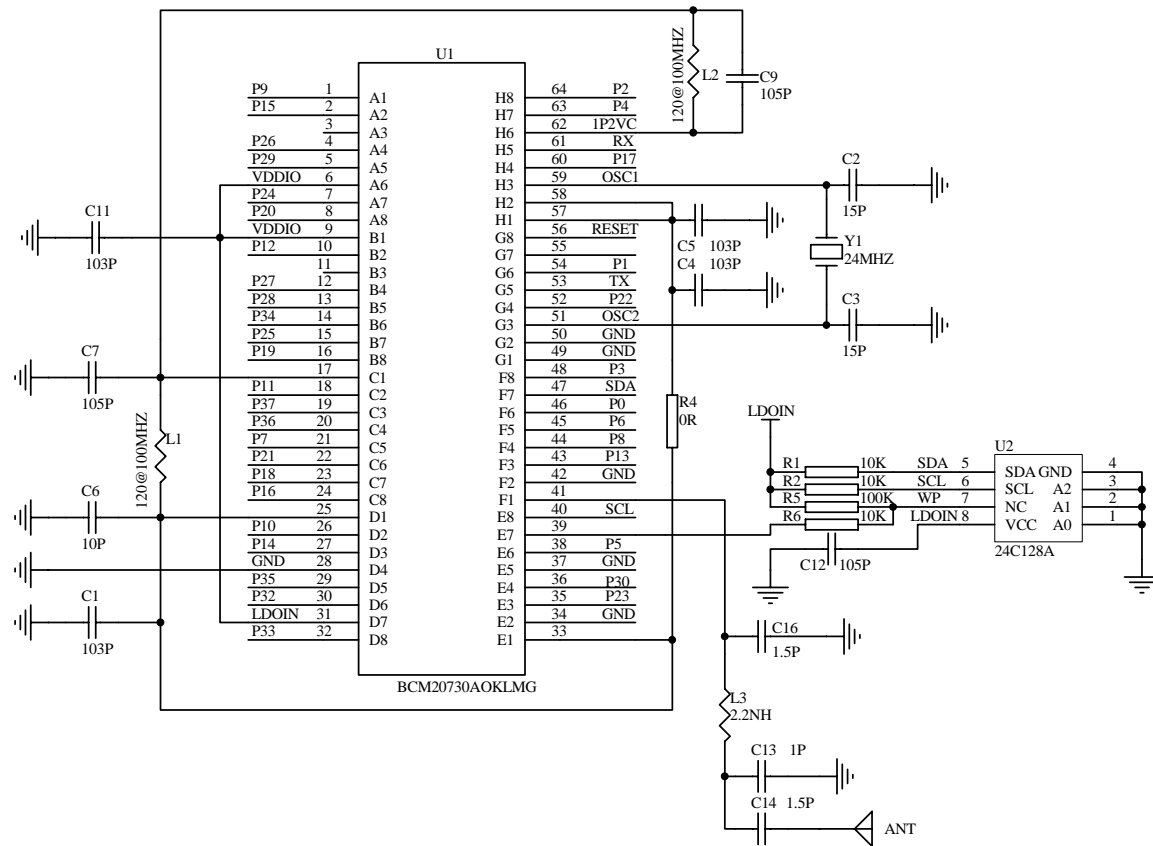
Size: A4    Number: 1    Revision: 1  
 Date: 21-Jun-2012    Time: 16:57:31    Sheet1 of 1  
 File: E:\蓝牙键盘模组\鑫巨源B305生产板 AP0747.DDB - Documents\B305 AP0747 V1.0原理图.Sch

深圳国华  
2012/03/36

**Protel**  
Making Electronic Design Easy™



BCM20730AOKLMG



|                      |                                 |           |
|----------------------|---------------------------------|-----------|
| Title                |                                 |           |
| <b>BCM20730模组原理图</b> |                                 |           |
| Size                 | Number                          | Revision  |
| A4                   |                                 |           |
| Date:                | 27-Sep-2011                     | Sheet of  |
| File:                | E:\资料\0608_蓝牙键盘\GH-20730 V1.Ldd | Drawn By: |