
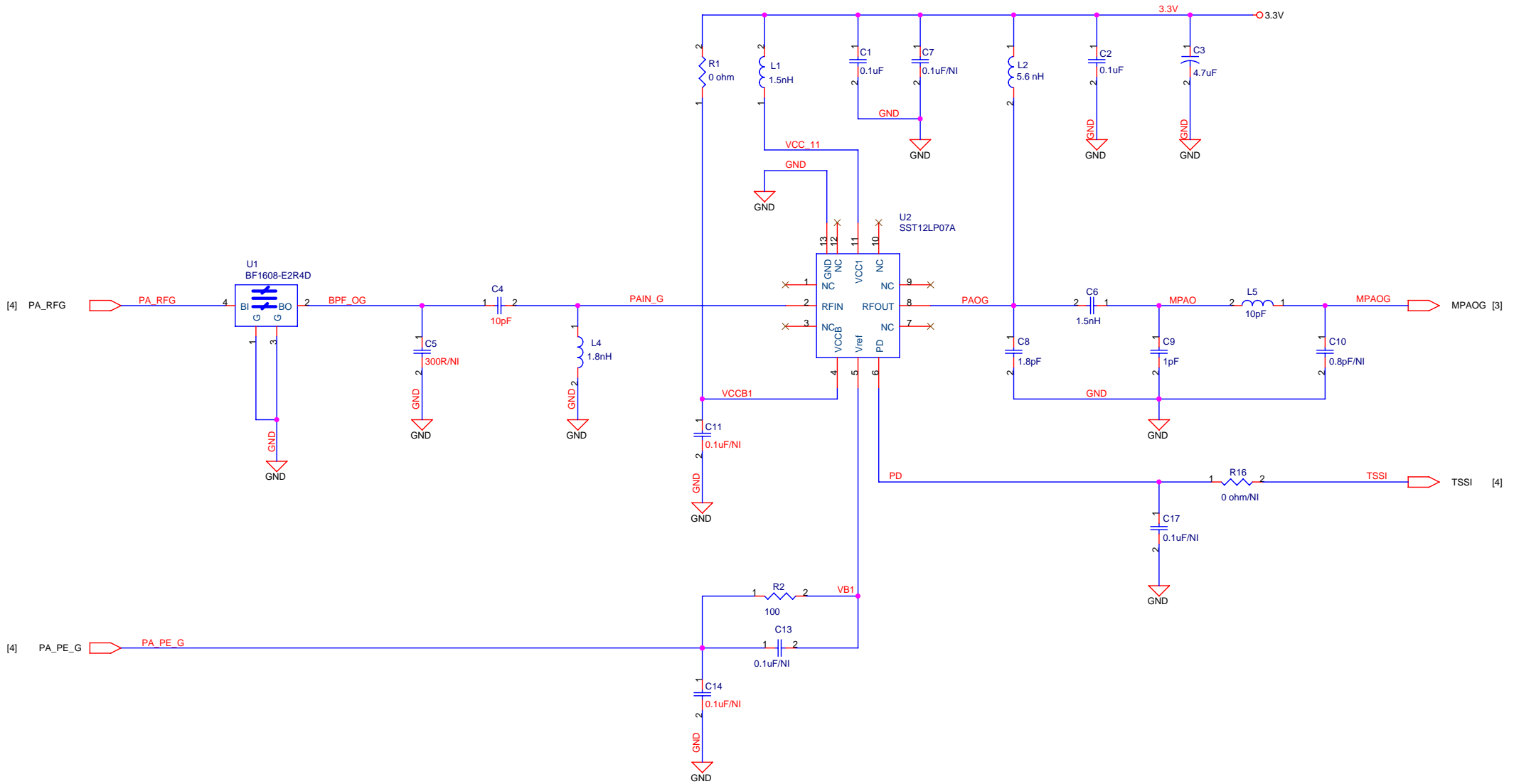

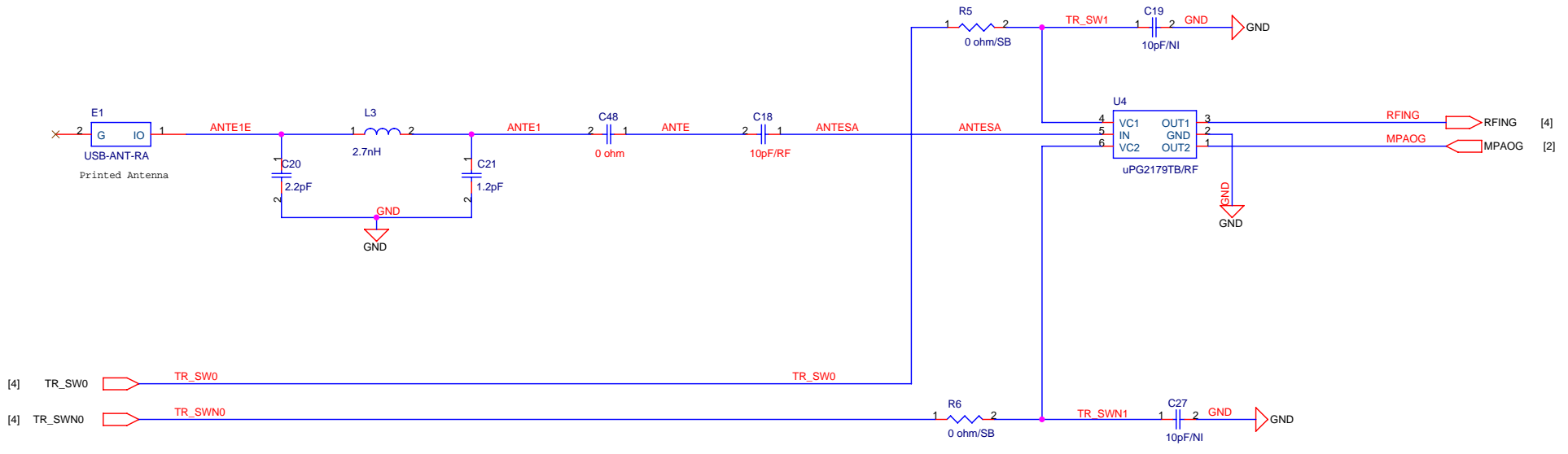



Filename:
PEN-RT3070-QFN-V33ST-A-081013.DSN

	RALINK TECHNOLOGY, CORP.	
	Title 2.4G USB Card - RT3070	
Size B	Document Number PEN-RT3070-V33ST-A.SCH	Rev 3.3
Date: Tuesday, November 25, 2008	Sheet 1 of 6	

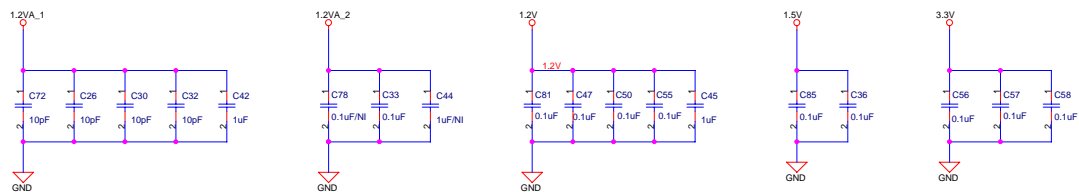
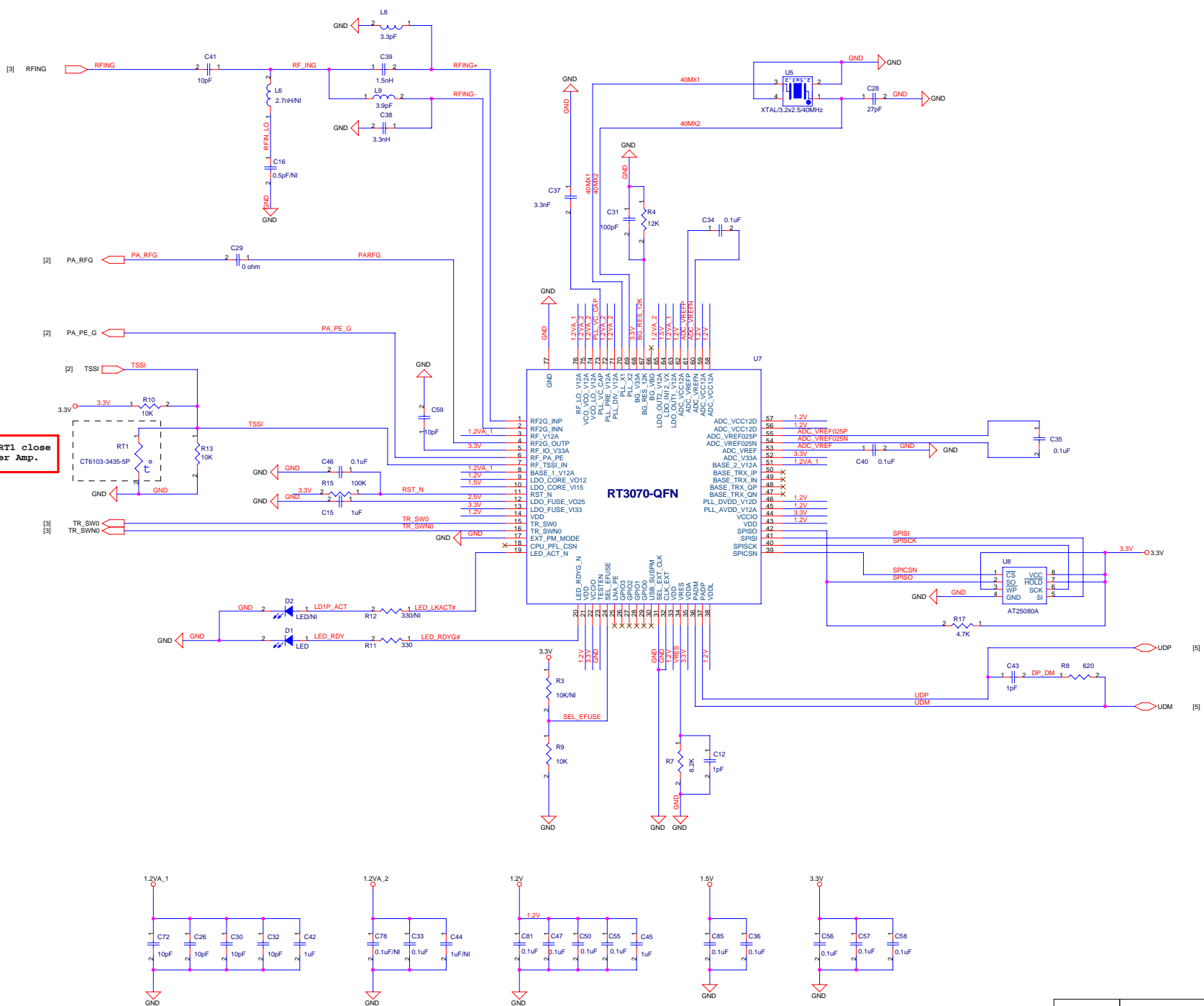


		RALINK TECHNOLOGY, CORP.	
		Title 2.4GHz PA	
Size B	Document Number 1-PA-SST12LP07A.SCH		Rev 3.3
Date:	Wednesday, October 15, 2008		Sheet 2 of 6

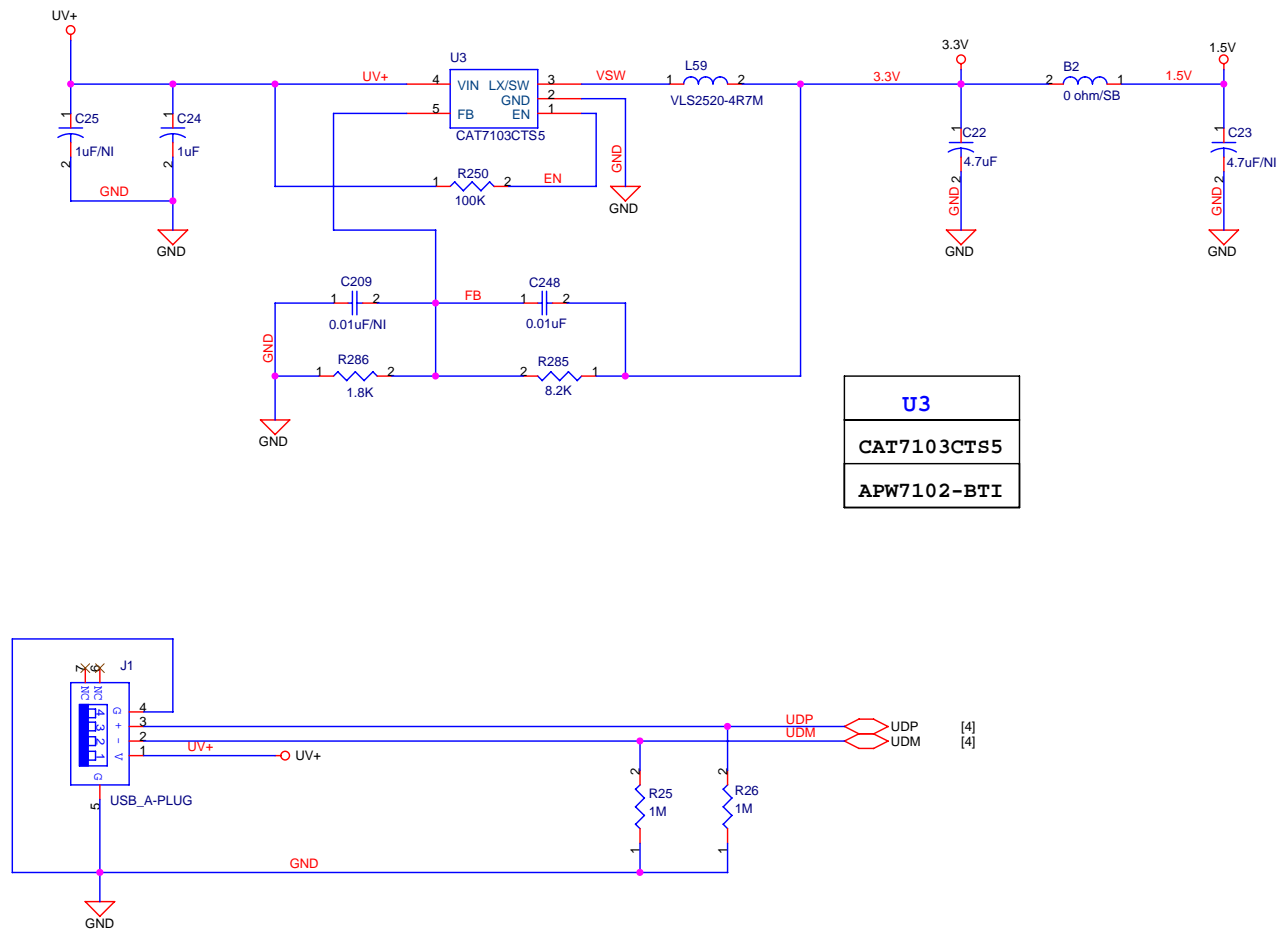


		RALINK TECHNOLOGY, CORP.	
		Title Front-End	
Size B	Document Number 2-FrontEnd.SCH		Rev 3.3
Date:	Wednesday, October 15, 2008	Sheet	3 of 6


Place RT1 close to Power Amp.



Ralink Technology, Corp.		
File	RT3070-WLAN	
Size	Document Number	Rev
C	3-RT3070-WLAN.SCH	3.3
Date	Wednesday, October 15, 2008	Sheet 4 of 6



U3
CAT7103CTS5
APW7102-BTI

		RALINK TECHNOLOGY, CORP.	
		Title PEN USB Interface and Power	
Size B	Document Number 4-USB-A.SCH	Rev 3.3	
Date: Tuesday, November 25, 2008	Sheet 5	of 6	

