

User Manual

Contents

Attention and Precautions	6
FOR YOUR SAFETY	6
SECURITY REQUIREMENTS	8
MAINTENANCE	10
Your Phone	13
Getting Started	18
BATTERY	18
REMOVING AND INSTALLING BATTERY	18
CONNECTING TO NETWORK	22
INSERTING AND REMOVING SIM CARD	23
INSERTING AND REMOVING MEMORY CARD	24

POWER ON/OFF PHONE	25
PIN AND PUK	26
PHONE LOCK.....	27
LOCKING THE KEYPAD	27
CONNECTING TO NETWORK	28
Basic Functions	30
MAKING A CALL	30
MAKING DOMESTIC CALLS	30
DIALING EXTENSION NUMBER OF FIXED-LINE TELEPHONE	31
DIALING INTERNATIONAL CALLS	31
DIALING PHONE NUMBERS IN THE CALL RECORDS	33
EMERGENCY CALLS	33
ANSWERING A CALL	34
CALL RECORDS	35
CALL OPTIONS	35

Using the menus	39
ACCESSING A MENU FUNCTION	39
EXITING A MENU FUNCTION.....	39
LIST OF MENU FUNCTIONS	40
Messages	42
CREATE A NEW SHORT MESSAGE	42
CREATE A NEW MULTIMEDIA MESSAGE	42
BROADCAST MESSAGE	43
Contact	45
ADD NEW CONTACT	45
SEARCHING FOR A CONTACT	45
Multimedia	46
CAMERA	46
AUDIO PLAYER	46
VIDEO RECORDER	47

SOUND RECORDER	48
IMAGE VIEWER	48
VIDEO PLAYER	48
FM radio	50
WAP	51
SETTING THE CONNECTION PROFILE.....	51
SETTING THE WAP	52
Settings	53
PRIVACY PROTECTION	53
Input method.....	54
ENTERING (ABC AND ABC).....	54
ENTERING NUMBERS	54
ENTERING SYMBOLS.....	54
FCC Statement	55

Attention and Precautions

For your safety



Remember to comply with legal requirements and local restrictions when using the phone, for example, in aero plane, petrol stations, hospital or while driving



Always keep your handsfree to operate the vehicle while driving. Your first consideration while driving should be road safety. Don't use handset while driving.



As per the law, phone should not be used at refueling point near fuel or chemicals.



Mobile phones can interfere with the functioning of medical devices such as hearing aids or pacemakers. Keep at least 20 cm(9 inches) between the phone and pacemaker.

When using the mobile phone hold it to the ear which is furthest away from the pacemaker. For more information, consult your doctor.



All wireless phones may be susceptible to interference, which could affect performance. The phone may cause interference in the vicinity of TV sets, radios and PCs.



The mains voltage (V) specified on the power supply unit must not be exceeded. Otherwise the charging device may be damaged.

The power supply must be plugged into an easily accessible AC mains power socket when charging the battery. The only way to turn off the charging device after charging the battery is to unplug it.



Only qualified personnel may install or repair this

product.



When connecting to any other product, read its user guide for detailed safety instructions. Do not connect incompatible products.



Use only approved enhancements and batteries. Do not connect incompatible products.

Security Requirements

Before making or answering a call, you should pay attention to the local laws about the use of wireless mobile phones and take them into account in practical use.

Traffic safety

Pay attention to traffic safety. Do not use your mobile phone while driving. Park before making or answering a call.

Flight Safety

Please turn off your GSM mobile phone before the airplane takes off in order to protect airplane's communication system from interference.

Using mobile phone before the plane taking off should get aircrew's permission according to safety regulations.

Environment Safety

Do not use your mobile phone near precision electronic equipment. Radio wave interference may cause malfunctioning of such electronic equipment and other problems.

Operating of mobile phone may interfere with medical devices like hearing aids and pacemakers.

Do not use your phone in a potentially dangerous atmosphere.

Please strictly observe with the restrictions on the use of

wireless devices.

Maintenance

Battery instructions

When the phone automatically turns off or indicates the alarm information of power shortage, please charge the battery in time.

For the first few times, please charge the battery fully.

When not in use, please separate the battery with power supply. Overcharging will shorten the life of the battery.

Do not expose your products to extreme high or low temperatures. Do not expose the battery to temperatures above+40°C.

Do not use damaged battery.

Do not expose your mobile phone to direct sunlight or in hot

areas. High temperatures can shorten the life of electronic devices.

Do not expose the battery into fire or throw it away. Return the wear-out battery to the provider or put it in the appointed recycle place. Do not put it in familial rubbish.

Follow these guidelines to protect your products :

keep the products out of children's reach

Keep your product dry. Do not expose it to liquid or moisture.

Do not short-circuit the battery, as this can cause excessive heat to bring about fire.

Do not expose your mobile phone to direct sunlight or in hot areas. High temperatures can shorten the life of electronic devices.

Do not attempt to disassemble the mobile phone and battery by yourself. Non-expert handling of the devices may damage

them.

Prevent liquid from leaking into your phone.

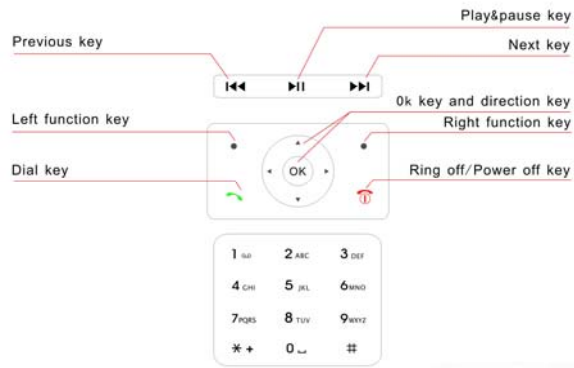
Please use original accessories. Using any unauthorized accessories may affect your mobile phone's performance.

Note: The performance of your phone depends on your local network operator's card and how you actually use it. We are not responsible for any damages due to inappropriate use.

Please read these brief rules. Violation of these rules might cause danger or break laws.

Your Phone

Description of keypad keys



Keys	Description
[Dial key]	Dial a phone number or answer an

	incoming call.
[Left function key]	Performs the function of the prompt displayed at left corner of the screen. Press to return to the previous page when in the menu.
[End key]	End a call. Hold down this key to turn on/off your mobile phone. In other cases, pressing this key will make the phone return to idle mode.
[Right function key]	Performs the function of the prompt displayed at right corner of the screen. Press to return to the previous page when in the menu. In edit mode, tap this button to delete the

	<p>character in front of the cursor. Long press of this key will delete all the characters in the editing window.</p> <p>In idle screen, press the RSK to access Phonebook.</p>
[OK Key]	<p>Press this key in idle mode to enter the shortcuts menu.</p> <p>The OK Key to enter the menu that has been selected.</p>
[Number Keys]	<p>Number keys are used to input numbers, letters and special characters.</p> <p>They can also be used as shortcut keys to quickly access the options within a menu.</p>
[* key]	<p>Press this key repeatedly when the phone is idle to switch among “*”, “+”, “P” and “W”</p>

	in turn.
[# key]	<p>Hold down this key when the phone is idle to switch between Vibration mode and the current profile.</p> <p>Press this key to switch between different language input modes when in edit mode.</p>
[Navigation key]	<p>The key is split into 4 directional keys: up, down, left and right. Move the cursor up, down, left and right in edit mode.</p> <p>Press the directional key in idle interface to enter the corresponding function interface.</p> <p>Up Key: to access Write message.</p> <p>Down Key: to access Telcel.</p> <p>Left Key: to access Phonebook.</p>

	Right Key: to access Game.
[Previous key/Next key]	In audio player, press the key can change the songs.
[Play & pause key]	In audio player, press this key can play or pause songs.

Getting Started

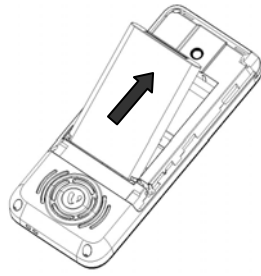
Battery

The battery at its initial condition is charged to 50% full, and can be used after unwrapping.

Removing and installing battery

For removing:

- A. Push the battery back cover;
- B. Lift the battery up as indicated by the arrow;
- C. Take the battery out.

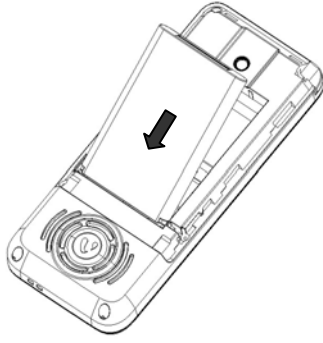


Warning: Make sure to power off the phone before taking out SIM card, battery, otherwise your SIM card might be damaged.

For installing:

- A. Place the metal contact points of the battery upward and flush with metal contact points in the battery bay, then insert the bottom of battery into battery bay.
- B. Place the back cover of the battery onto the phone

squarely, and push in the direction of the arrow till it clicks into place.



Charging Battery

20

While charging, the power supply indicator at phone's screen icon zone will flash in a rotation manner, if the phone is off while charging, a charging screen will still appear, indicating that the phone is recharging. If the phone is still being overused while the power supply is insufficient, the recharging indicator will appear on the screen after the recharging has started for a while.

When the power supply indicator at the screen's icon zone shows full and stops flashing, it means charging has completed. If it takes place when the phone is off, the screen will display charging-finished icon. The process generally takes about 2.5 hours. It is normal that the battery, the phone and the charger will become hot during the charging process. Once charging is completed, disconnect the phone and the charger from the AC power supply.

Note: Battery must be charged in a well ventilated place with surrounding temperature at -10°C~+55°C, and it is imperative that a charger provided by manufacturer is used. Using unauthorized charger might cause danger, which also violates warranty terms prescribed by the manufacturer. If the charging temperature is too high or too low, the phone will automatically give warning and stop charging, so as to prevent damages to battery.

Connecting to Network

SIM card

A valid SIM (Subscriber Identity Module) card must be inserted in the phone before using it.

All information related to making connection to the network are recorded in the chips of SIM card, including the names, phone numbers and short messages you have stored in the SIM card Phone book. In order to prevent loss or damage of the info in the SIM card, it is necessary to avoid touching metal contact surface, and keep SIM card far from electricity

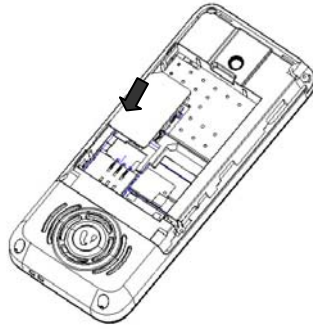
current and magnet.

Inserting and removing SIM card

Power off the phone; remove battery and other external power connection, as shown in the image.

Insert SIM card into SIM card socket.

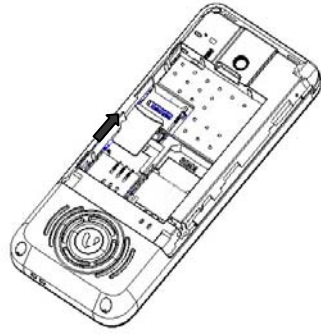
When you need to remove SIM card, please power off the phone first, remove battery, then remove the card.



Inserting and removing memory card

Power off the phone; remove battery and other external power connection.

Insert memory card into card slot as shown in the image.



Power on/off phone

To power on, please press and hold the End key. Then the screen will display the prompts like Enter phone password, SIMcard password in sequential order as per the setting done

by user. Once the appropriate password is entered, the phone will search for network connection and latch accordingly to the appropriate network.

To power off, please press and hold the End key.

PIN and PUK

To prevent illegal usage, PIN (Personal Identification Number) code is adopted to encrypt for protection of your SIM card.

Selecting this option and if having set up PIN code protection, you have to enter PIN code each time you power on the phone.

Press and hold the End key to power on the phone;

Enter PIN code, use Right function key to delete input-errors, Left function key for "OK". For instance, if PIN1 setting is 1234, then enter the following input: 1 2 3 4 "OK".

If there are three consecutive input errors, your SIM card will be locked up by the network, the phone will inquire PUK code.

Note: Your service provider will set up a standard PIN (4 to 8 digits) number for your SIM card; you should change it into your private password as soon as possible. PUK code will be provided by the network provider.

Phone lock

The phone lock protects your phone from unauthorized use.

The default phone lock code is 0000. You can change it into any numeric string of 4 to 8 digits.

If the phone lock function is enabled, you need to enter the correct phone lock code when the phone is powered on or in the standby mode.

Locking the Keypad

To unlock the keypad, press Left function key (Unlock) and *

key in succession.

If the Auto Keypad Lock function is enabled and the phone is idle for a preset period in standby mode, the keypad is locked automatically.

Note: When the keypad is locked, you can press Dial key to answer an incoming call or make emergency calls.

Connecting to network

After SIM card is successfully unlocked, the phone will automatically search available network (with searching showing on the screen). Once the connection is made, the name of the service provider will be displayed on the top central part of the text and graphic area. At this time your phone has been connected to the service network.

Note: If the screen prompts "Emergency ", this means you have moved out of the normal network coverage (service range) or your card has

not passed authentication, but you can still transmit emergency calls based on signal strength.

Basic Functions

Making a call

When the logo of service provider appears on the display screen, you can dial or receive calls. The info bar at the upper left corner of the display screen shows network signal strength (when there are 5 info bars the signal is at its strongest).

The call quality is very likely to be affected by obstructions.

Making domestic calls

Enter phone number, and then press Dial Key to make the call.

If the user needs to change phone number, press Right function key "Clear" back and delete numbers. Dialing animation will be displayed on the screen during dialing. Call

state info will be shown on the screen after the called party ends the call

You can enter and dial domestic call following the order:

(Area code) (Phone number) (Dial)

Dialing extension number of fixed-line telephone

Some extension numbers of fixed-line telephone cannot be connected directly, you must dial the power board phone number, then press * key to power continually, until the screen displays "P", then dial extension number.

You can dial extension numbers of fixed-line telephone in the following order:

(Area code) (Power board number) P (Extension number) Dial
Key

Dialing international calls

To make an international call, you may press * key to power continually, till the screen displays the pre-digit symbol "+" for international long distance call, which will enable you to make a call from any country without knowing the local international access code.

You can enter numbers in the following sequence to make an international call:

(+) (Country code) (complete phone number) (Dial Key)

After inputting prefix number, input the code and the complete phone number of the wanted country. The country code follows usual practice, such as Germany 49, UK 44, Sweden 46, India 91 etc.

Like making an international call, the "0" before city code number should be dropped.

Dialing phone numbers in the call records

Every phone number you have dialed or received will be stored in the list of phone call records. The latest dialed, received and missed numbers will be listed, according to their types, in the respective menu of dialed calls, received calls and missed calls. When call record list is full, the old numbers will automatically be deleted. To view the list, do the followings:

In standby state press Dial key to view the record for all calls.

All phone numbers in the list can be dialed directly by pressing the Dial key.

When the list is displayed, press "OK" to read the details, then "options" to Save or Delete the number.

Emergency calls

As long as in the network service range (which can be confirmed by checking the signal strength bars on the top left corner of the screen), you can always call emergency service. If your network supplier does not provide roaming service in your area, the screen will display "Emergency", to inform you that only emergency call is permitted. If you are within the network service range, you can also make emergency calls even without the SIM card.

Answering a call

An incoming call can be accepted with the single press of dial key. If earphone has been connected, use the button on the earphone to answer a call, and if it is not convenient for you to press it, set automatic answer as on, assuring that the earphone is plugged on, so as to answer calls automatically

while the phone rings or vibrates. If Any Key answer function is chosen, then a call can be answered on pressing any key, other than End key and Right function key.

Call records

Your phone can also store call records of the latest missed calls, received calls, dialed calls, the time of last call as well as total amount of received calls and total dialed calls for you.

Call options

In call connected state, pressing Left function key "Options" can enter call option, or pressing Right function key "H-Free" to activate speaker, under activated-hands free condition, press Right function key "H-held" to power off speaker. Operation methods of call options are the same with that of

Function menu.

This call options can only be viewed during call process, moreover, the functions of call waiting, call holding, and conference calls need service support, please contact your service provider for details.

In the call options, you can make the following operations:

Hold Single: Make the current call hold.

End Single: End the current call.

New call: Enter new dialing interface.

Phone book: Enter Phone book menu.

Messages: Enter Short message menu. Owing to restriction of network engagement, MMS function is barred during call process.

Sound Recorder: Record the current call.

Background sound: Setup the background sound for the current calling.

Voice inflexion: Setup voice changer for the current dial.

Change Voice: Setup Voice Changer for the current dial.

Mute: On selecting silence during a incoming call, the ringer will be muted.

DTMF: Operations of DTMF powering on and off

Conference*: Enter multiple party conference call state.

By following the prompts, you can have the following functions: receive waiting calls, add them into multiple party call, maintain the multiple party call, talk privately with one party of the conference while maintaining all other callers, connect one party in the call conference with another party while exiting the multiple party call oneself, maintain one party of the multiple party call and end current call and all other maintained calls.

Note: The menu marked * items will only appear in special circumstances. For conference function, it is necessary to apply for service supply to corresponding service operator.

Using the menus

The phone offers a range of functions that allow you to tailor it to your needs.

These functions are arranged in menus and submenus which can be accessed by scrolling or using the appropriate shortcut.

Accessing a menu function

1. Press Left function key in standby mode.
2. Press Direction key to scroll to the desired main menu.
3. Press OK to enter the desired main menu.
4. Press OK key to enter the submenu in standby mode.

Exiting a menu function

You can return to the previous menu level by press Right

function key.

List of menu functions

1 Call History	3-5 Tasks
	3-6 Bluetooth
2 Messages	3-7 Alarm
2-1 SMS	3-8 Calculator
2-2 MMS	3-9 World clock
2-3 Broadcast message	3-10 Ebook reader
	3-11 FM radio
3 Tools	
3-1 Busqueda	4 Phonebook
3-2 T-card Backup	
3-3 Torch	5 Telcel Móvil
3-4 Calendar	

6 Game	8 Telcel
7 Multimedia	
7-1 iMUSIC	9 Settings
7-2 images	9-1 Display setting
7-3 Camera	9-2 Call settings
7-4 Image viewer	9-3 Phone settings
7-5 Video recorder	9-4 Network settings
7-6 Video player	9-5 Security settings
7-7 Audio player	9-6 Restore factory settings
7-8 Sound recorder	

Messages

Create a new short message

1. Enter Messages>SMS.
2. Enter Write Message.
3. Press the Left function key (Option) and select the required items, including Insert template, Insert SMS content, Insert vcard, Insert bookmark, Save to Drafts and Input method.
4. Press the Left function key (Option) and select Enter number or Add from Phonebook.

Create a new Multimedia Message

1. Enter Messages>MMS.
2. Enter recipients in To , Cc , Bcc by pressing the Left

function key (Edit) .Confirm with done.

3. Enter a subject in Subject by selecting Edit.
4. Enter text in Edit content by selecting Edit.
5. Press the Left function key (Option) and select the items you want to send, including images (add picture), audios (add audio), add video,add attachment and slide (add slide before/after), add bookmark text, preview and so on.
6. Confirm the contents by selecting Option and Done.
7. Press the Right function key (Done) for send options.

Broadcast message

Broadcast messages are messages that your network operator broadcasts to all users within a particular area, such as weather forecast, transportation conditions, etc.

Receive mode	On or off the function.
--------------	-------------------------

For more information about available channels and the information they provide, contact your network operator.

Contact

Add new contact

1. Select Phonebook > Add new contact.
2. Edit contact. If you want to save to SIM, you can only edit name and number.
3. Finish editing, press Right function key (Done), pop-up message to preserve the contact person.
4. Press Left function key(Yes)to save; press Right function key (No) to exit.

Searching for a Contact

1. Select Menu > Phonebook
2. Enter the name, or the first letter of the name.

Multimedia

Camera

1. Select Menu > Camera.
2. On the Camera screen, you can do as follows.
 - Press left/right key to adjust camera exposure compensation parameter.
 - Press up/down key to adjust camera focus.
3. Press OK key to take a photo.
4. Press Left function key (**Option**) to select delete or send; press Back key to take another photo, the previous photo will be saved automatically.

Audio player

1. Select Menu > Multimedia > Audio player

2. Press Left function key (**List**) and select refresh list ,settings.

Access the Music Player interface and adjust the Play and Pause of the music by the OK key. Press Left/Right to choose the previous/next audio file; Press the Up /Down /* /# key to adjust the volume.

3. Press Right function key (Back) to return to the main menu.

Video recorder

1. Select Menu > Multimedia > Video recorder.
2. On the Video recorder screen, you can do as follows:
 - Press OK key to record.
 - Press right soft key to stop record and select Yes/No to save video.

3. Press left soft key (**Options**) and select to player, camcorder settings and restore default.

Sound recorder

1. Select Menu > Multimedia > Sound Recorder.
2. Press Left function key (**Options**) and select New record. During the recording process, press Left function key or OK key to pause/continue.
3. Press Right function key (**Stop**) to stop recording.

Image viewer

1. Select Menu > Multimedia > Image viewer.
2. Press Left function key (**Options**) and select view, Browse style, Send, use as, Rename, Delete, Sort by and so on.

Video player

1. Select Menu > Multimedia > Video player.
2. The keypad operations during video playback are as follows:
 - Press OK key to play/pause the current video.
 - Press up/down key to adjust the volume.
 - Long press right/ left key to fast forward or rewind.

FM radio

1. Select Menu > Tools >FM Radio to activate the FM radio.After loading, the phone plays a program.
2. On the FM Radio screen, you can do as follows:
 - Press # key/* key to adjust the volume.
 - Press Left key/Right key to tune by 0.1 MHz.
3. Press Menu key (**Options**) and select Channel list, Manual input,Auto search, Settings,Record,Append,File list.

WAP

You can access WAP sites and use WAP-based services on your phone. To access the WAP sites through your phone, you need to subscribe the corresponding service from the service provider and set the relevant parameters on your phone first.

For details about the service and the charges, contact your service provider.

Setting the connection profile

Setup the data account:

1. Select Menu > Settings > Network settings >Data Account.
2. Select your service provider from list. Press Left function key (**Options**) or OK key to edit.

3. Setup the data account with the information provide by your service provider.
4. Press Left function key (**Done**) , pop-up message to preserve.
5. Press Left function key(**Yes**)to save ,press Right function key (**No**) to exit.

Setting the WAP

1. Select Menu > Settings > Network settings >Service Settings>Edit account.
2. Select your service provider, and to select from the following options:Add new or Ideas Telcel.

Settings

Privacy protection

In this menu, you can set password-protected on the need of menu.

For the menu open the private protection, need to input a phone password when you entered.

Enter the other module which has opened the function, do not input the password again until return to idle to give up operation of authority.

Note: Privacy protection code by default is 0000.

Input method

Entering (ABC and abc)

In the "ABC" or "abc" input mode, you can press a key labeled the desired letters once to enter the first letter on the key, twice to enter the second letter on the key, and so on.

Entering Numbers

In the "123" input mode, press a key labeled the desired number.

In the "ABC" or "abc" input mode, press a numeric key repeatedly until the desired number appears on the screen.

Entering Symbols

To any input modes, press * key to display a symbol list.

FCC Statement

§ 15.19 Labelling requirements.

This device complies with part 15 of the FCC Rules.

Operation is subject to the following two conditions: (1) This device may not cause harmful interference, and (2) this device must accept any interference received, including interference that may cause undesired operation.

§ 15.21 Information to user.

Changes or modifications not expressly approved by the party responsible for compliance could void the user's authority to operate the equipment.

§ 15.105 Information to the user.

NOTE: This equipment has been tested and found to comply

55

with the limits for a Class B digital device, pursuant to part 15 of the FCC Rules. These limits are designed to provide reasonable protection against harmful interference in a residential installation. This equipment generates, uses and can radiate radio frequency energy and, if not installed and used in accordance with the instructions, may cause harmful interference to radio communications. However, there is no guarantee that interference will not occur in a particular installation. If this equipment does cause harmful interference to radio or television reception, which can be determined by turning the equipment off and on, the user is encouraged to try to correct the interference by one or more of the following measures:

- Reorient or relocate the receiving antenna.
- Increase the separation between the equipment and

receiver.

—Connect the equipment into an outlet on a circuit different from that to which the receiver is connected.

—Consult the dealer or an experienced radio/ TV technician for help.

SAR

The FCC permits a maximum SAR value of 1.6 mW/g. The highest SAR value for this product when used on the head, as described in this user's guide, is 0.802W/1KG

Radiofrequency radiation exposure Information:

For body worn operation, this phone has been tested and meets FCC RF exposure guidelines when used with an accessory that contains no metal and that positions the

handset a minimum of 1.5CM from the body. Use of other accessories may not ensure compliance with FCC RF exposure guidelines.