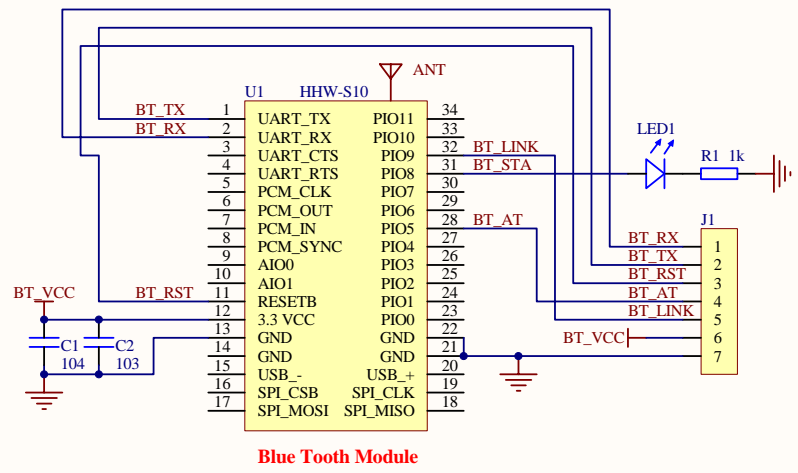
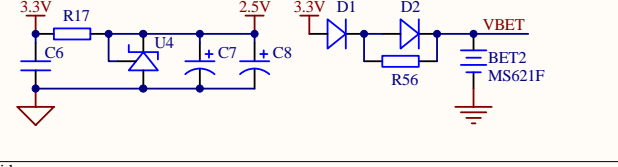
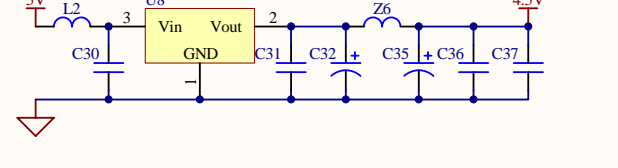
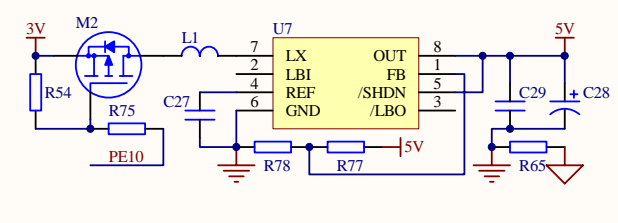
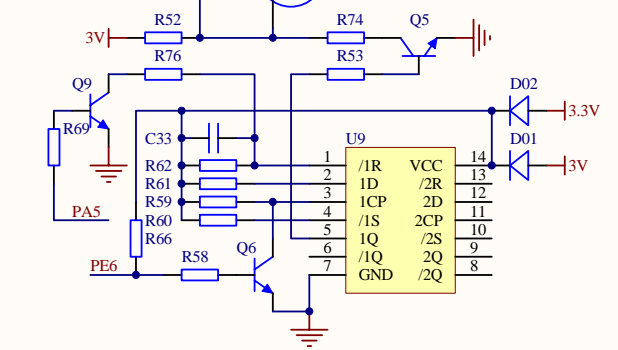
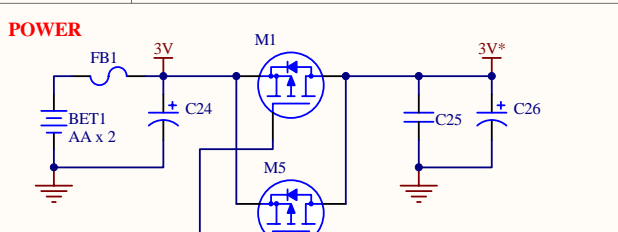
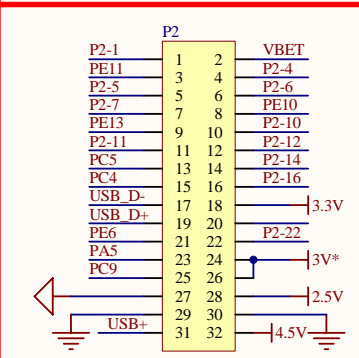
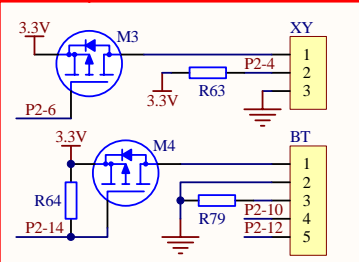
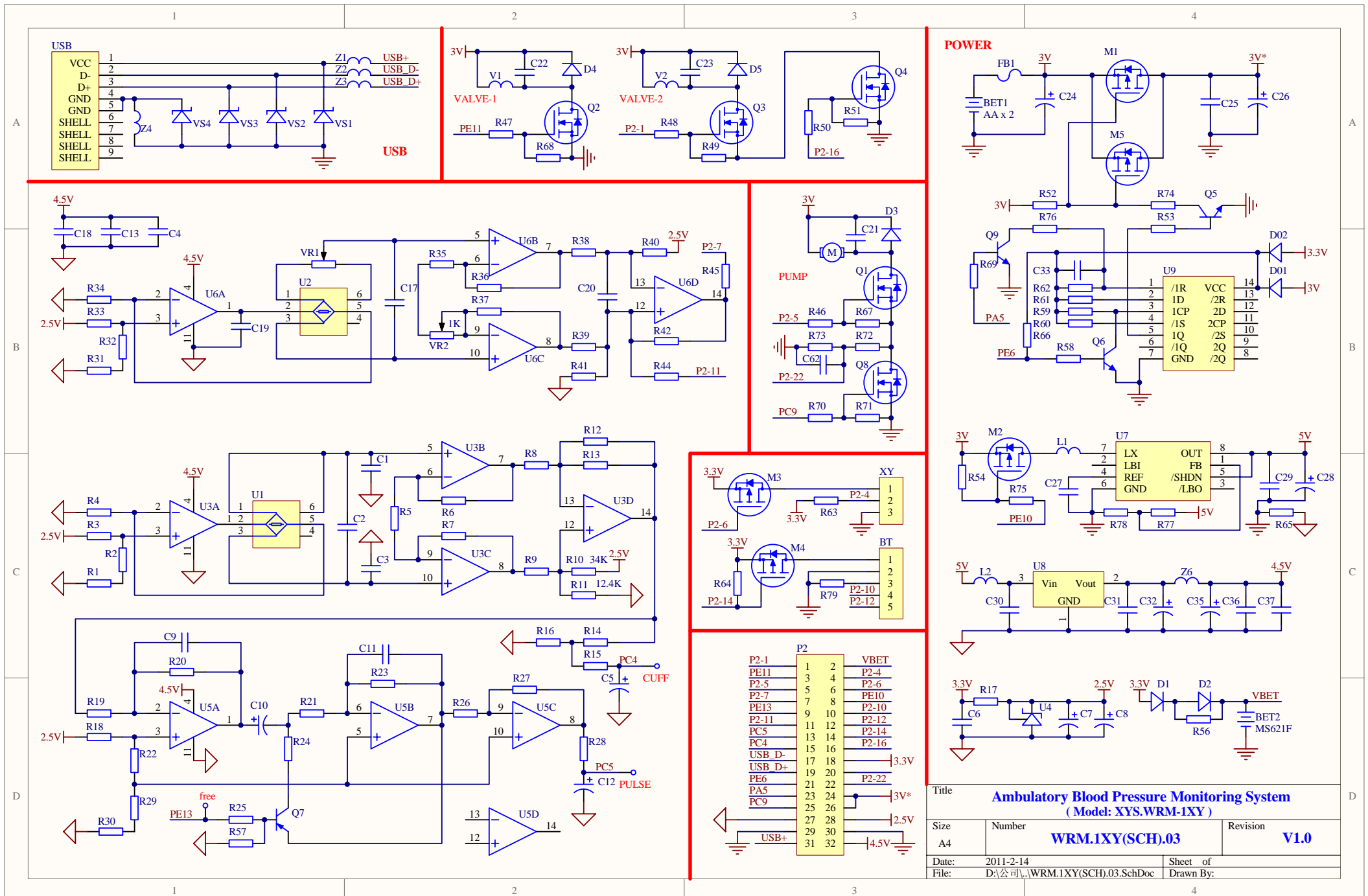


Title			<b>Ambulatory Blood Pressure Monitoring System (Model: YYS.WRM-1XY)</b>	
Size	Number	Revision		
A4	<b>WRM.1XY(SCH).01</b>	<b>V1.0</b>		
Date:	2011-2-14	Sheet of		
File:	D:\公司\...WRM.1XY(SCH).01.SchDoc	Drawn By:		



Title			<b>Ambulatory Blood Pressure Monitoring System (Model: XYS.WRM-1XY)</b>		
Size	Number			Revision	
A4	<b>WRM.1XY(SCH).02</b>		<b>V1.0</b>		
Date:	2011-2-15	Sheet of			
File:	D:\公司\...\WRM.1XY(SCH).02.SchDoc	Drawn By:			



Title: **Ambulatory Blood Pressure Monitoring System (Model: XYS.WRM-1XY)**

Size: A4	Number: <b>WRM.1XY(SCH).03</b>	Revision: <b>V1.0</b>
Date: 2011-2-14	Sheet of	
File: D:\公司\...WRM.1XY(SCH).03.SchDoc	Drawn By:	

1

2

3

4

A

A

B

B

C

C

D

D

1

2

3

4

