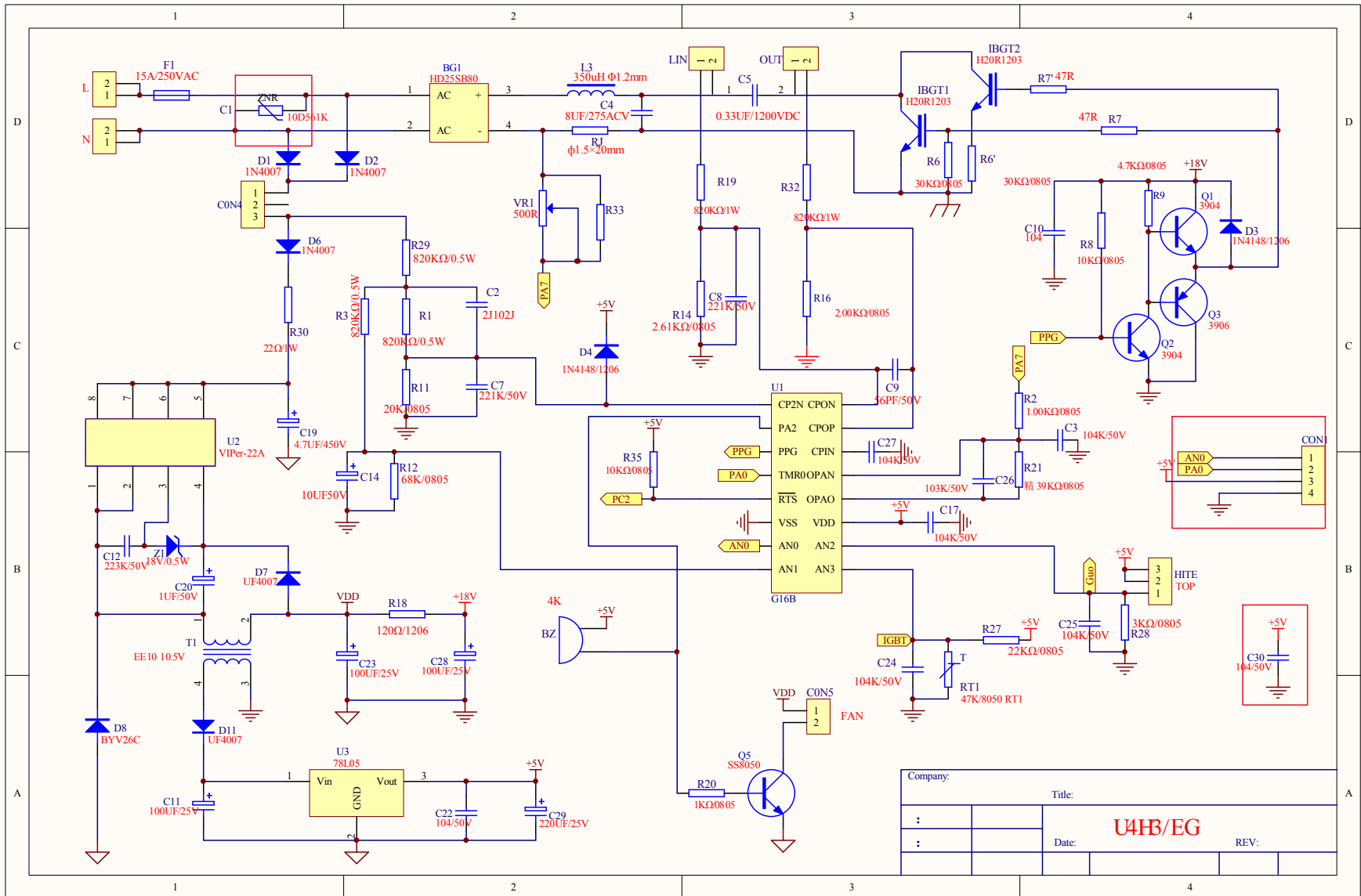


Company:		YLS			
Drawing	Heyaoran	Title: C-PP-2			
Audit					
Approva		Date:	2012.10.08	REV:	00



Company:		Title:	
:		U4B/EG	
:		Date:	REV: