

AD203 Cadence Sensor Block Diagram

1.2 Block diagram

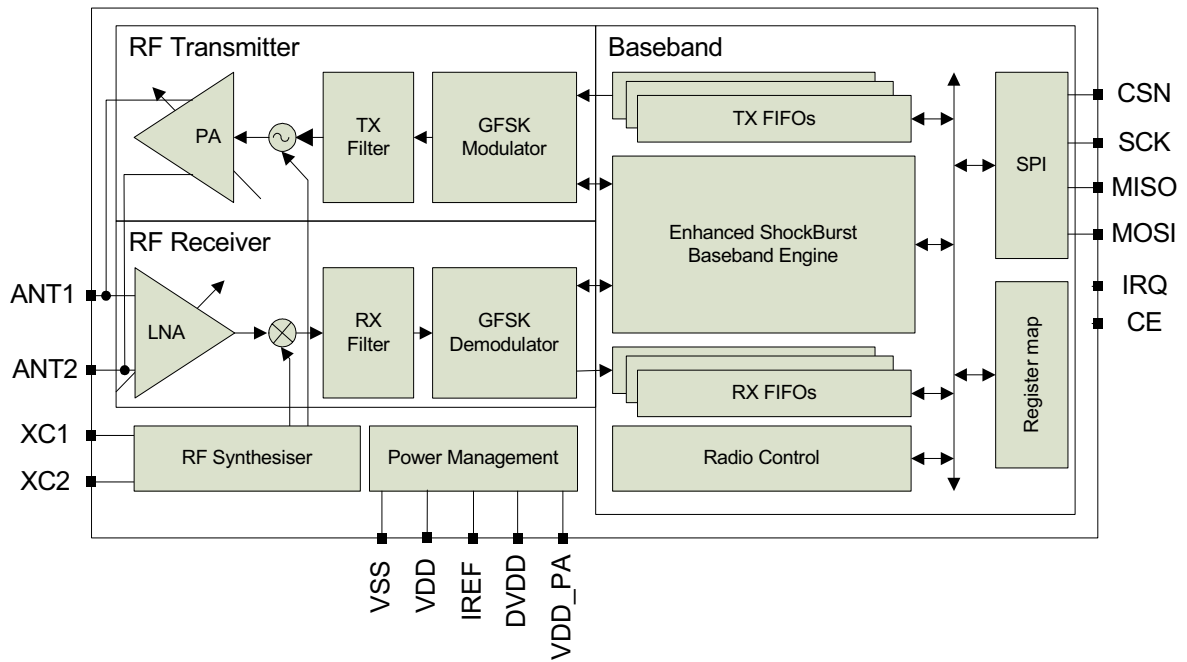


Figure 1. nRF24L01+ block diagram