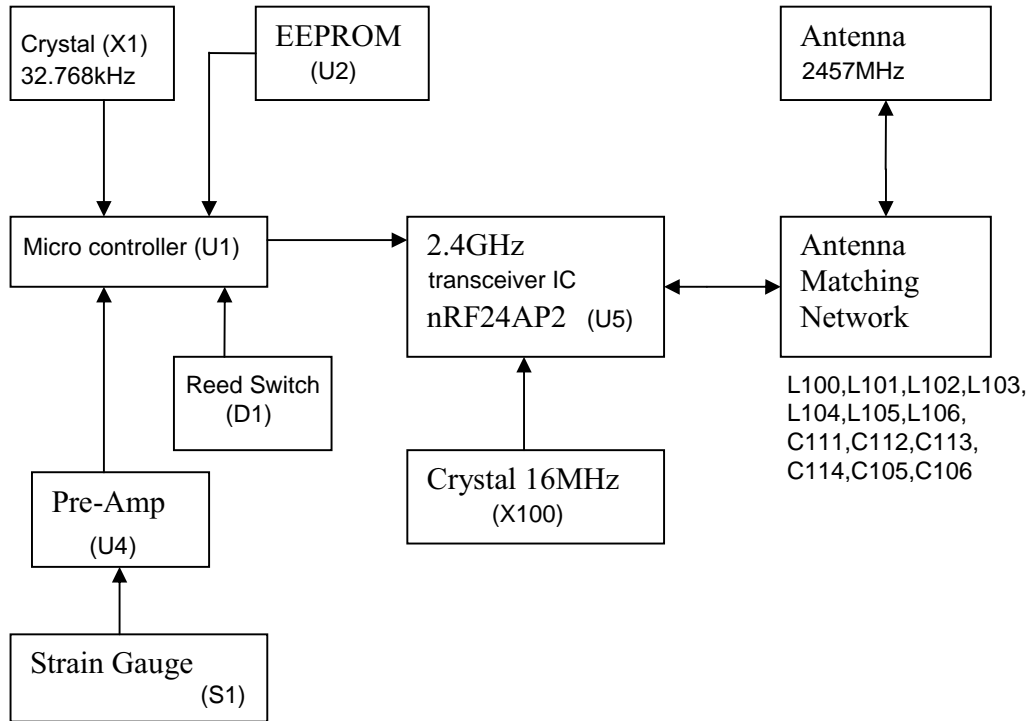


AD200 Block Diagram



3.2 Block diagram

[Figure 4. on page 14](#) shows a block diagram of the RF transceiver in nRF24AP2.

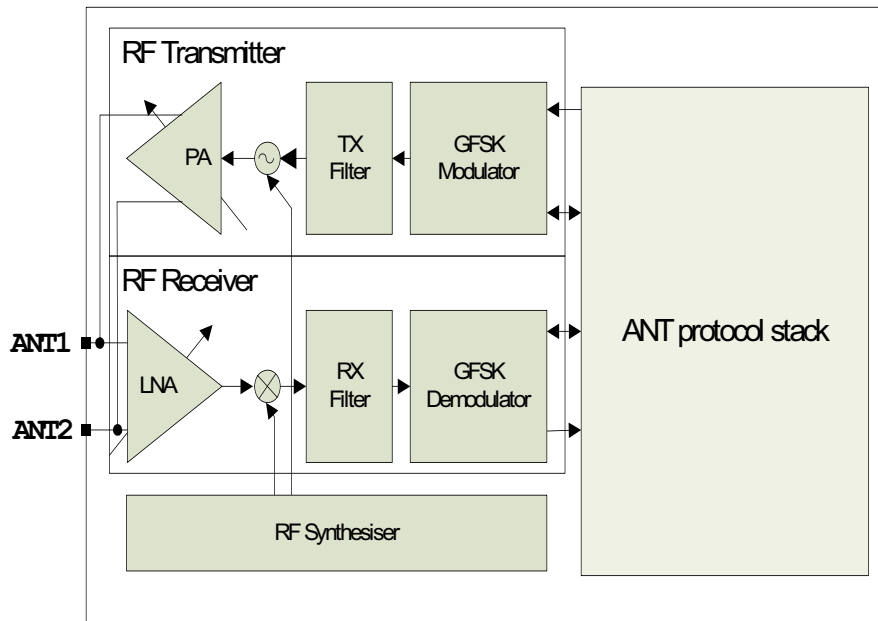


Figure 4. Internal circuitry of RF transceiver relative to ANT